



US00D605163S

(12) **United States Design Patent**
Hidaka

(10) **Patent No.:** **US D605,163 S**
(45) **Date of Patent:** **** Dec. 1, 2009**

- (54) **PRIVATE BRANCH EXCHANGE**
 - (75) Inventor: **Masataka Hidaka**, Kadoma (JP)
 - (73) Assignee: **Panasonic Corporation**, Osaka (JP)
 - (**) Term: **14 Years**
 - (21) Appl. No.: **29/272,774**
 - (22) Filed: **Feb. 14, 2007**
 - (51) **LOC (9) Cl.** **14-03**
 - (52) **U.S. Cl.** **D14/140.2**
 - (58) **Field of Classification Search** D14/125-130,
D14/140-142, 144, 146-151, 158-159, 171,
D14/188, 225-226, 240, 243, 250-253, 329-331,
D14/339, 341, 357, 375, 434, 471, 496, 242,
D14/371, 381, 380; 379/88.17, 90.01, 93.17,
379/387.01, 388.02, 419-420.04, 420.02,
379/428.01-428.04, 434-436, 440, 446-447,
379/454-455, 93.23; 381/16, 71.1; D13/107-108;
191/12.2 R; 320/108, 110, 113-115; 455/411,
455/550.1-90.3; 348/14.01-14.06; D10/65,
D10/118; D6/300, 306-308, 310; 370/400;
D26/85; 345/168
- See application file for complete search history.

- (56) **References Cited**
- U.S. PATENT DOCUMENTS
- D303,255 S * 9/1989 Bratasevec D14/371
 - D304,726 S * 11/1989 Brooks et al. D14/149
 - D307,752 S * 5/1990 Yoshida et al. D14/140.2
 - D308,054 S * 5/1990 Peart D14/381
 - D318,660 S * 7/1991 Weber D14/140.11
 - 5,270,919 A * 12/1993 Blake et al. 370/400

(Continued)

FOREIGN PATENT DOCUMENTS

JP D 930868 7/1995

JP	D 1143091	6/2002
JP	D 1149643	8/2002
WO	DM/051636	* 4/2000

OTHER PUBLICATIONS

KX-TDE200 Converged IP-PBX Systems, <URL:http://www2.panasonic.com/consumer-electronics/support/Phones-Fax/Business-Home-Systems/Converged-IP-PBX-Systems/model.KX-TDE200>, retrieved from internet Sep. 13, 2009.*

Primary Examiner—Ian Simmons
Assistant Examiner—Carla Jobe Wright
(74) *Attorney, Agent, or Firm*—Brinks Hofer Gilson & Lione

(57) **CLAIM**

I claim the ornamental design for a private branch exchange, as shown and described.

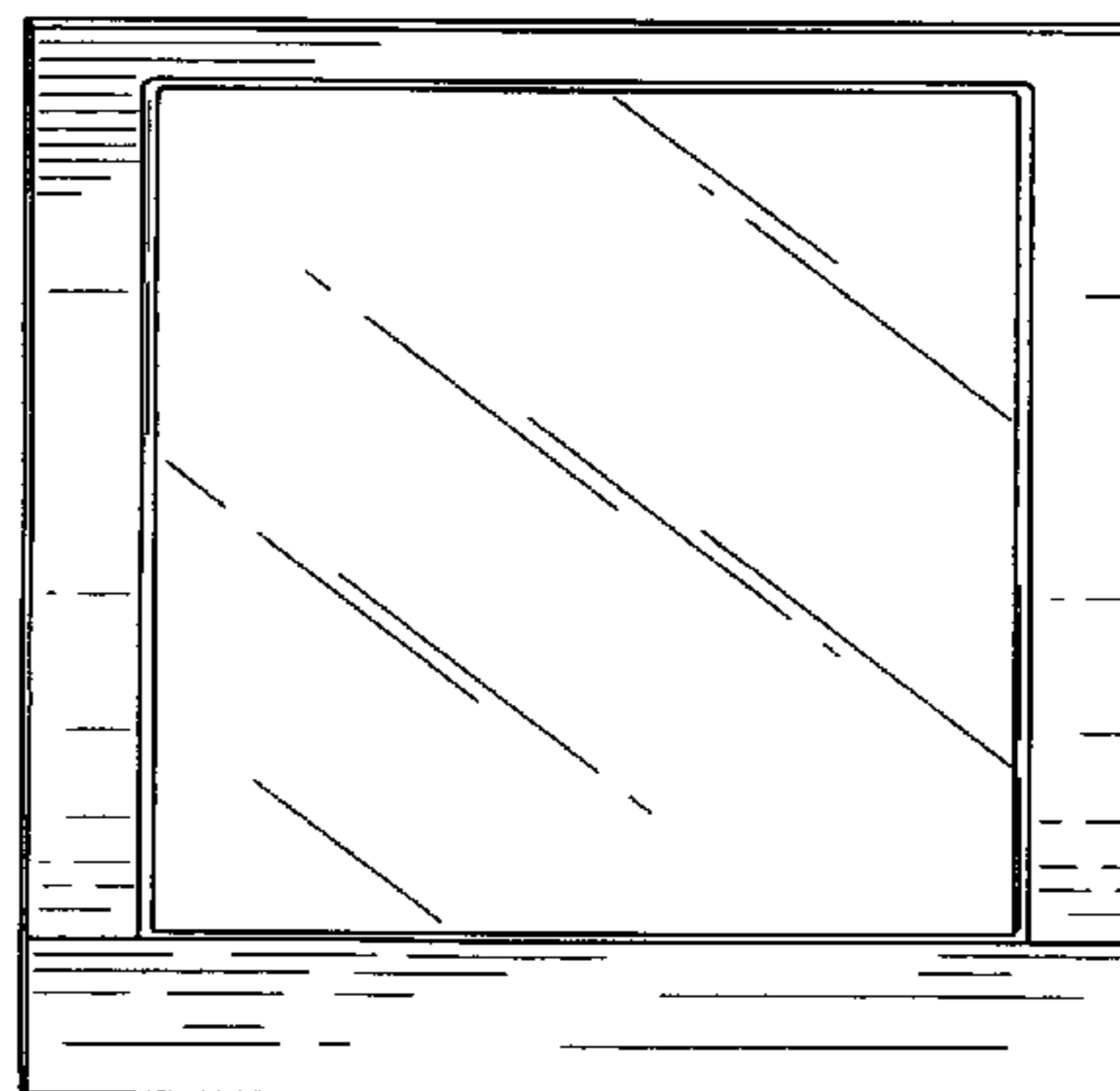
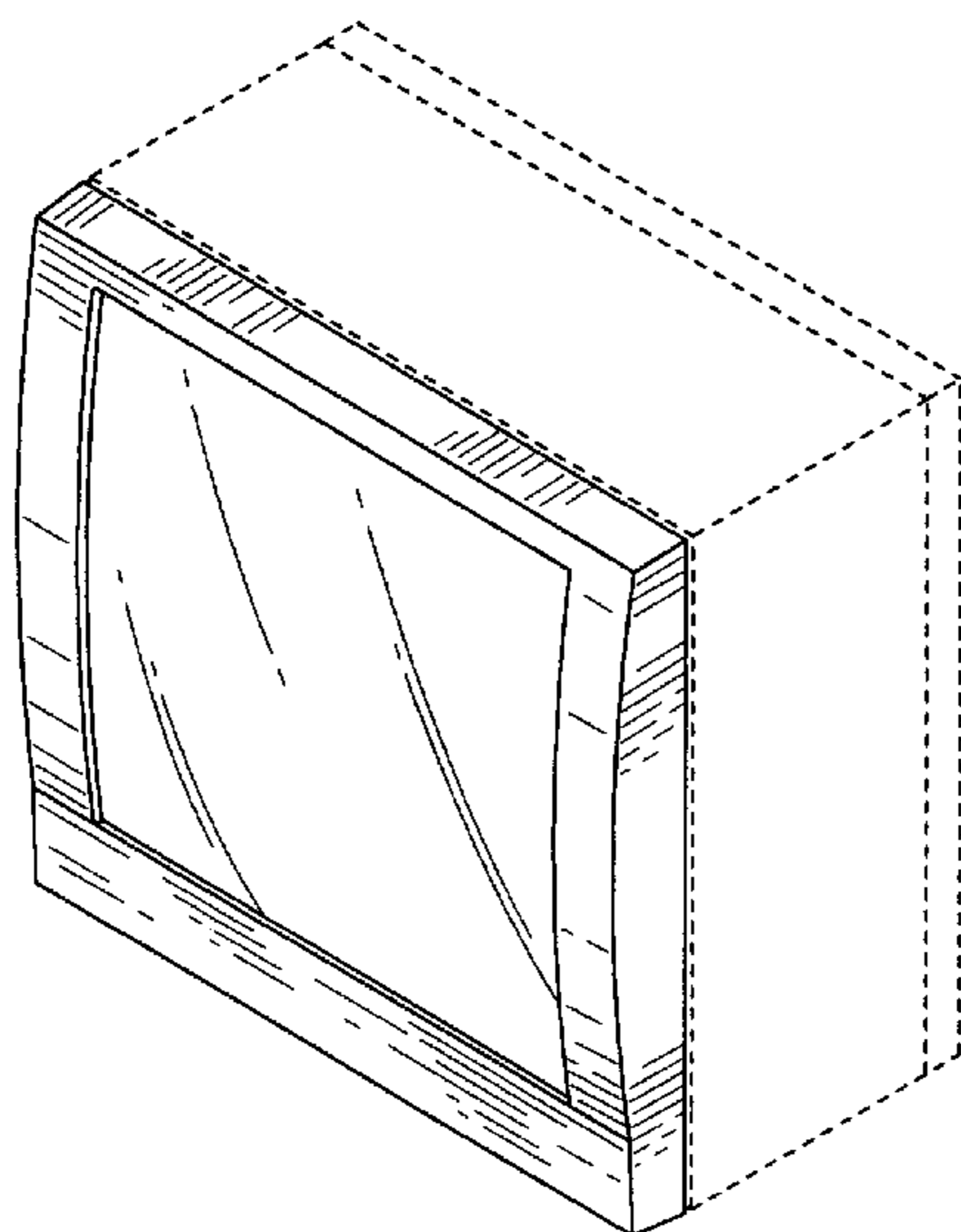
DESCRIPTION

FIG. 1 is a top perspective view of a private branch exchange of the present invention;
 FIG. 2 is a front view thereof;
 FIG. 3 is a first side view thereof;
 FIG. 4 is a second side view thereof;
 FIG. 5 is a top view thereof;
 FIG. 6 is a bottom view thereof; and,
 FIG. 7 is a rear view thereof.

A private branch exchange, or PBX, is a telephone switch for offices, for example.

The broken lines immediately adjacent the shaded areas, which define the unshaded regions, represent the bounds of the claimed design. All other broken lines are directed to environment and are for illustrative purposes only. The broken lines and unshaded regions within the broken lines form no part of the claimed design.

1 Claim, 4 Drawing Sheets



US D605,163 S

Page 2

U.S. PATENT DOCUMENTS

D351,833 S *	10/1994	Takami et al.	D14/126	D491,901 S *	6/2004	Chin et al.	D14/126
D354,954 S *	1/1995	Naito et al.	D14/130	D495,311 S	8/2004	Taniguchi et al.	
D420,009 S *	2/2000	Dunn et al.	D14/141.3	D506,733 S *	6/2005	Boyer, Jr.	D14/126
D442,587 S *	5/2001	Chang et al.	D14/380	D512,050 S	11/2005	Verding	
D451,683 S *	12/2001	Vincent	D6/300	D513,256 S *	12/2005	Chen et al.	D14/375
D456,932 S *	5/2002	Crosby	D26/85	D514,565 S *	2/2006	Haygood	D14/371
D470,853 S	2/2003	Macor et al.		D531,150 S *	10/2006	Yabe et al.	D14/129
D473,196 S	4/2003	Fujikura et al.		D567,692 S *	4/2008	Meyers et al.	D10/118
D489,342 S *	5/2004	Campbell et al.	D14/130	2008/0088590 A1 *	4/2008	Brown et al.	345/168

* cited by examiner

FIG.1

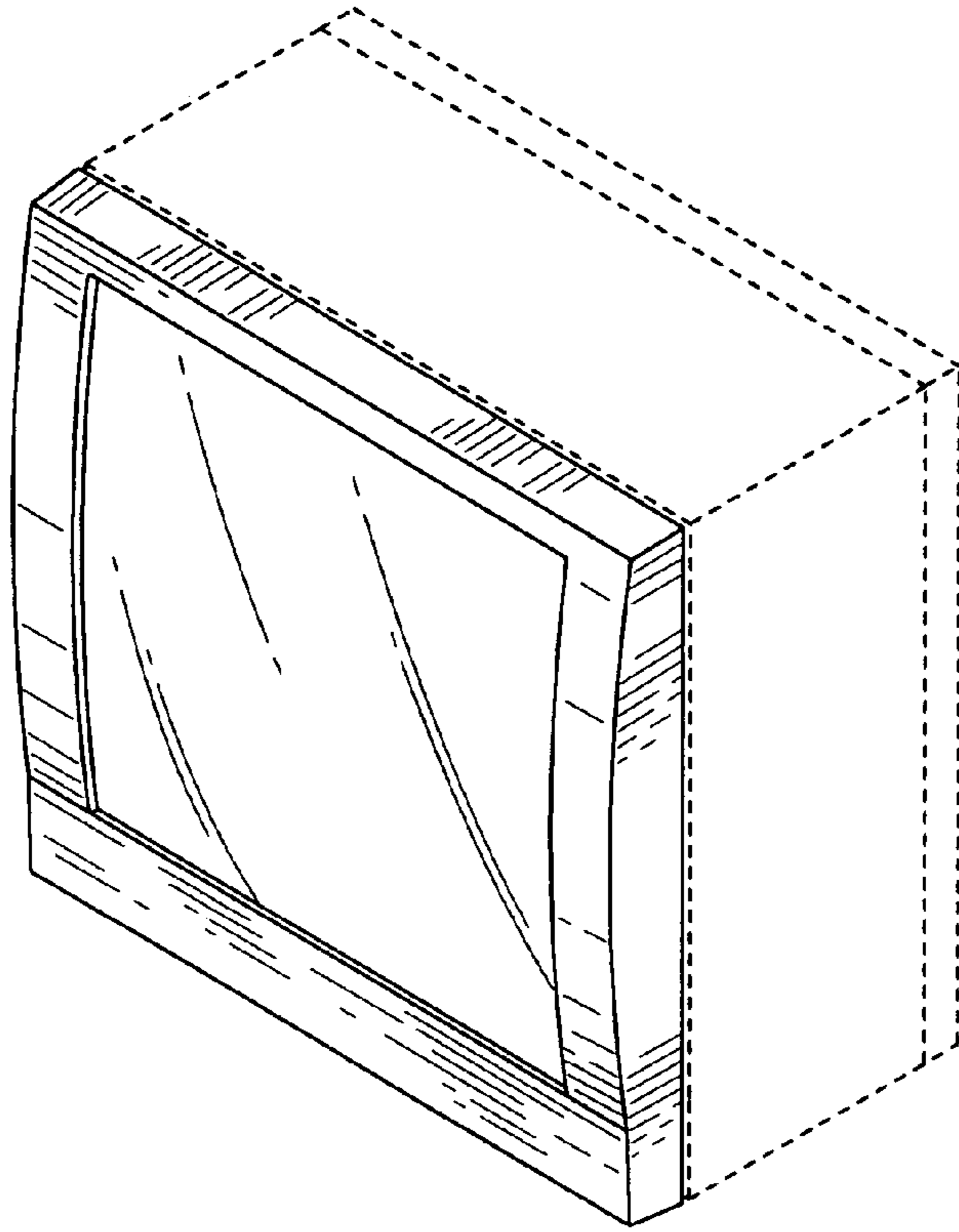


FIG.2

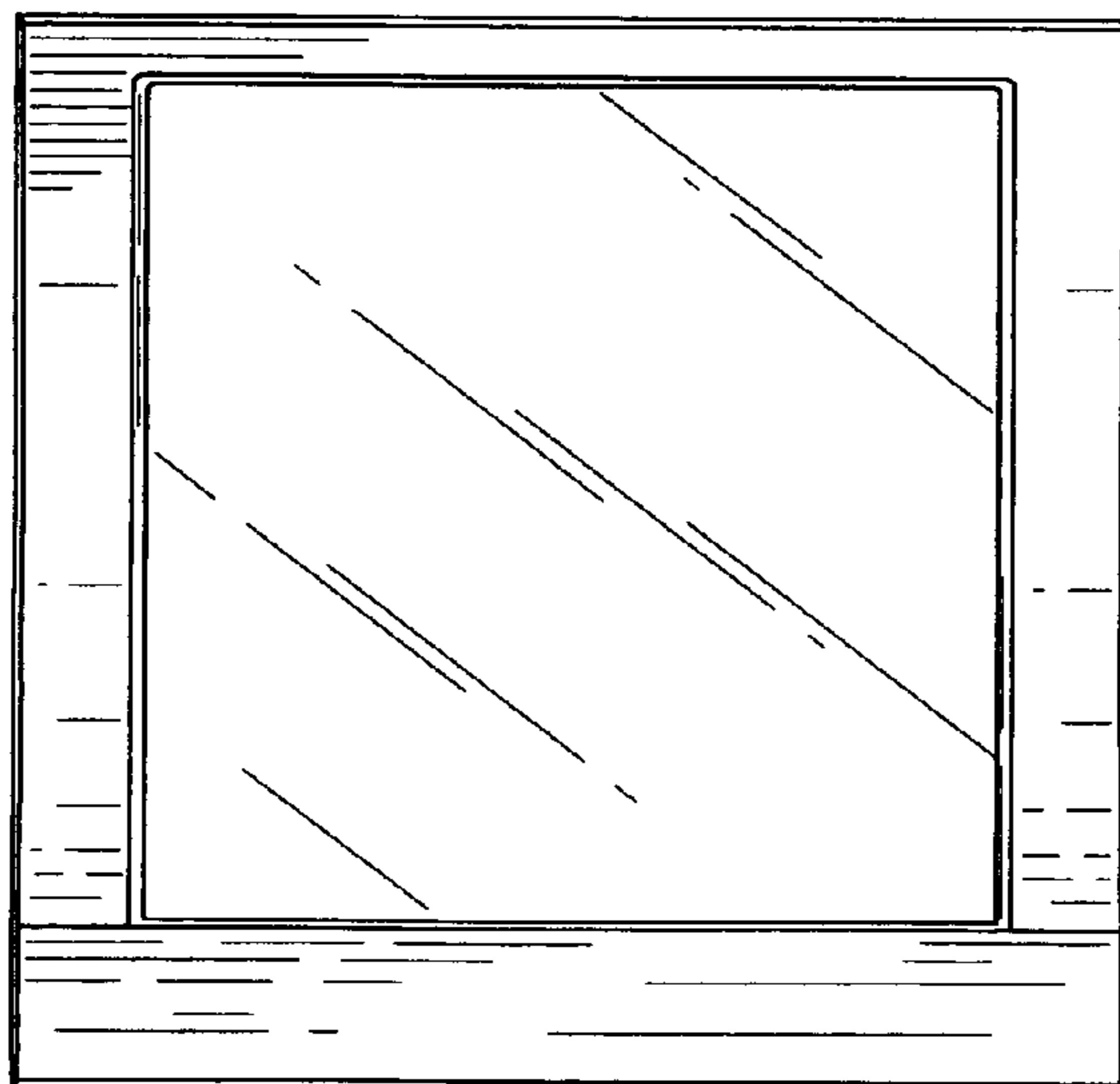


FIG.3

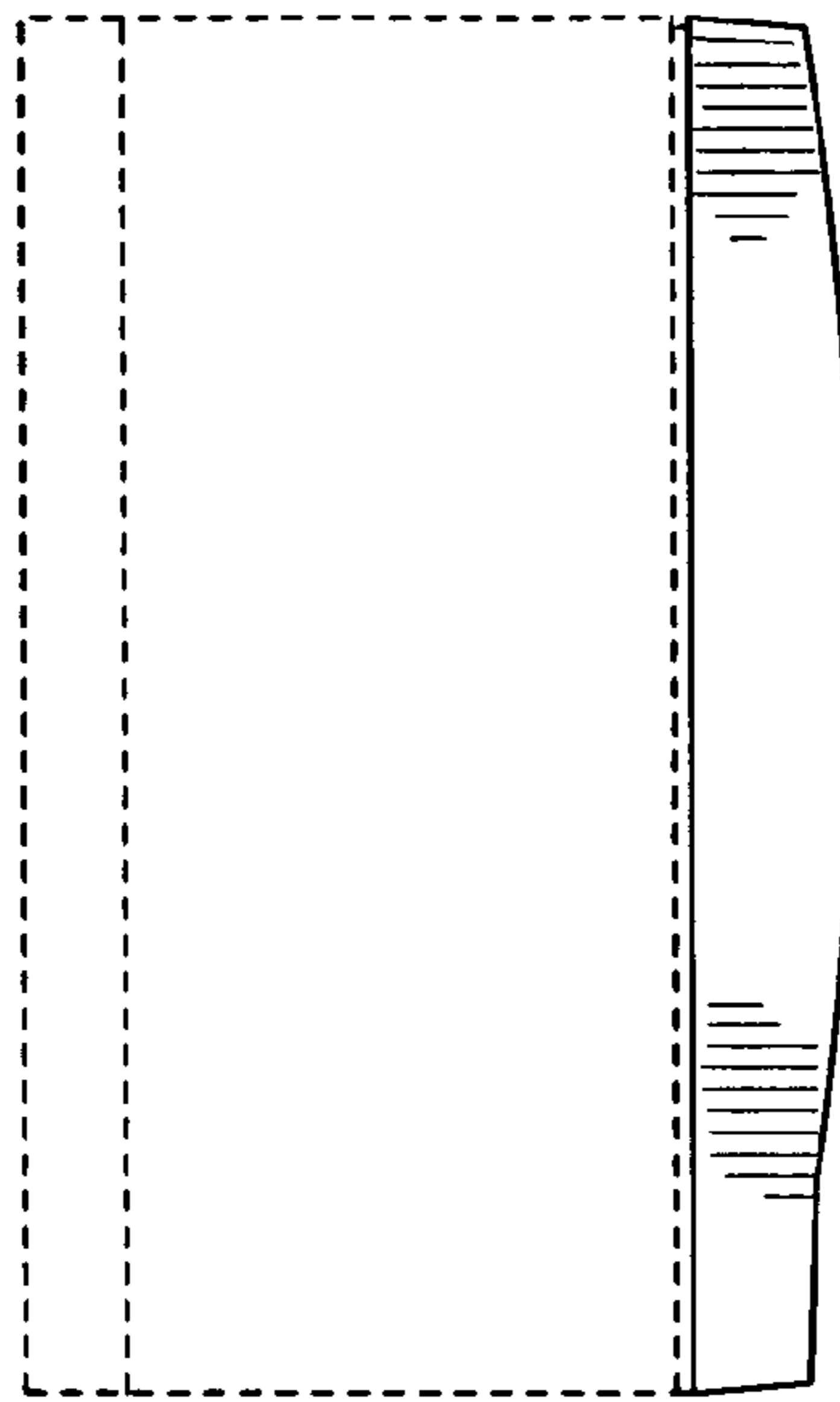


FIG.4

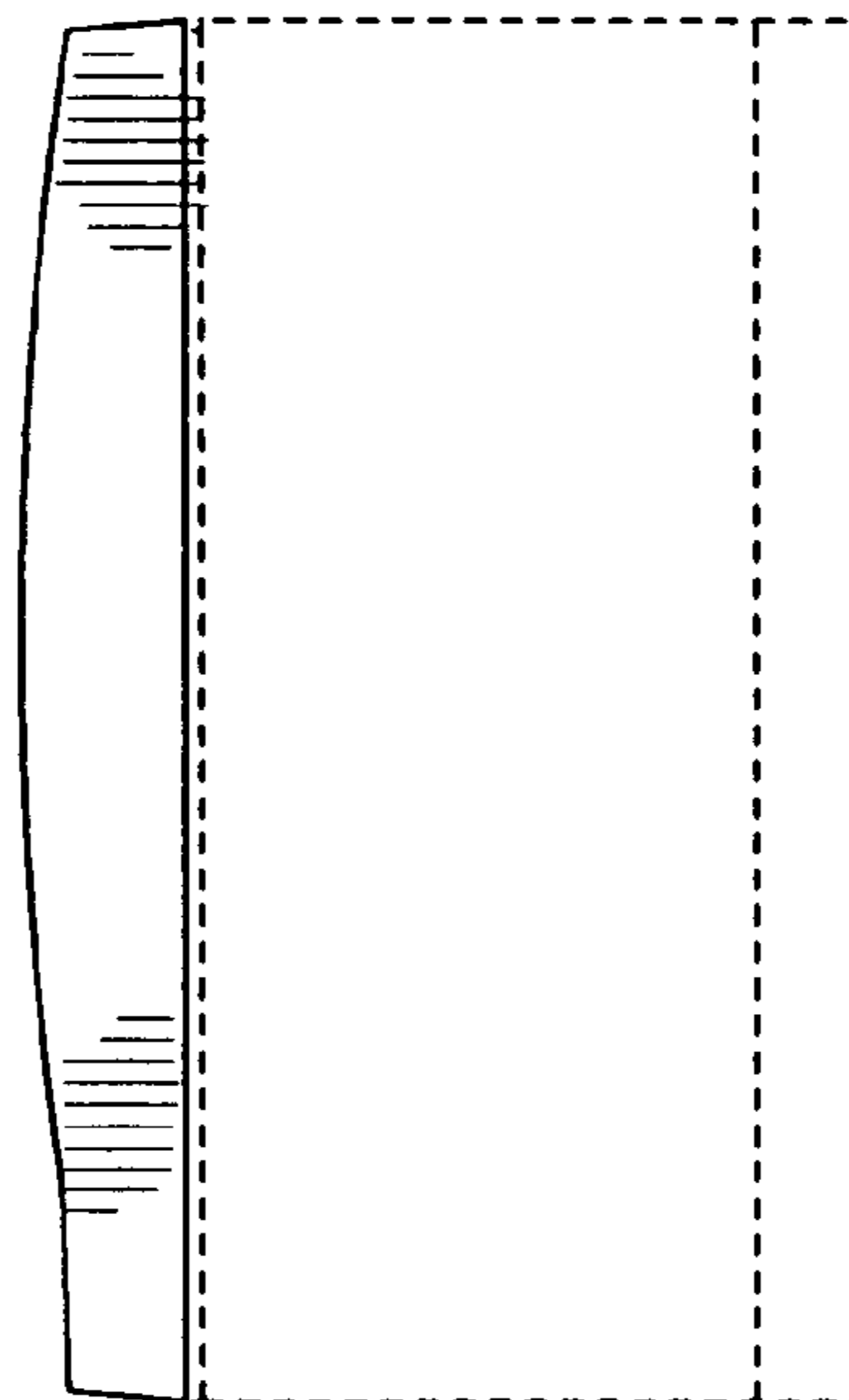


FIG.5

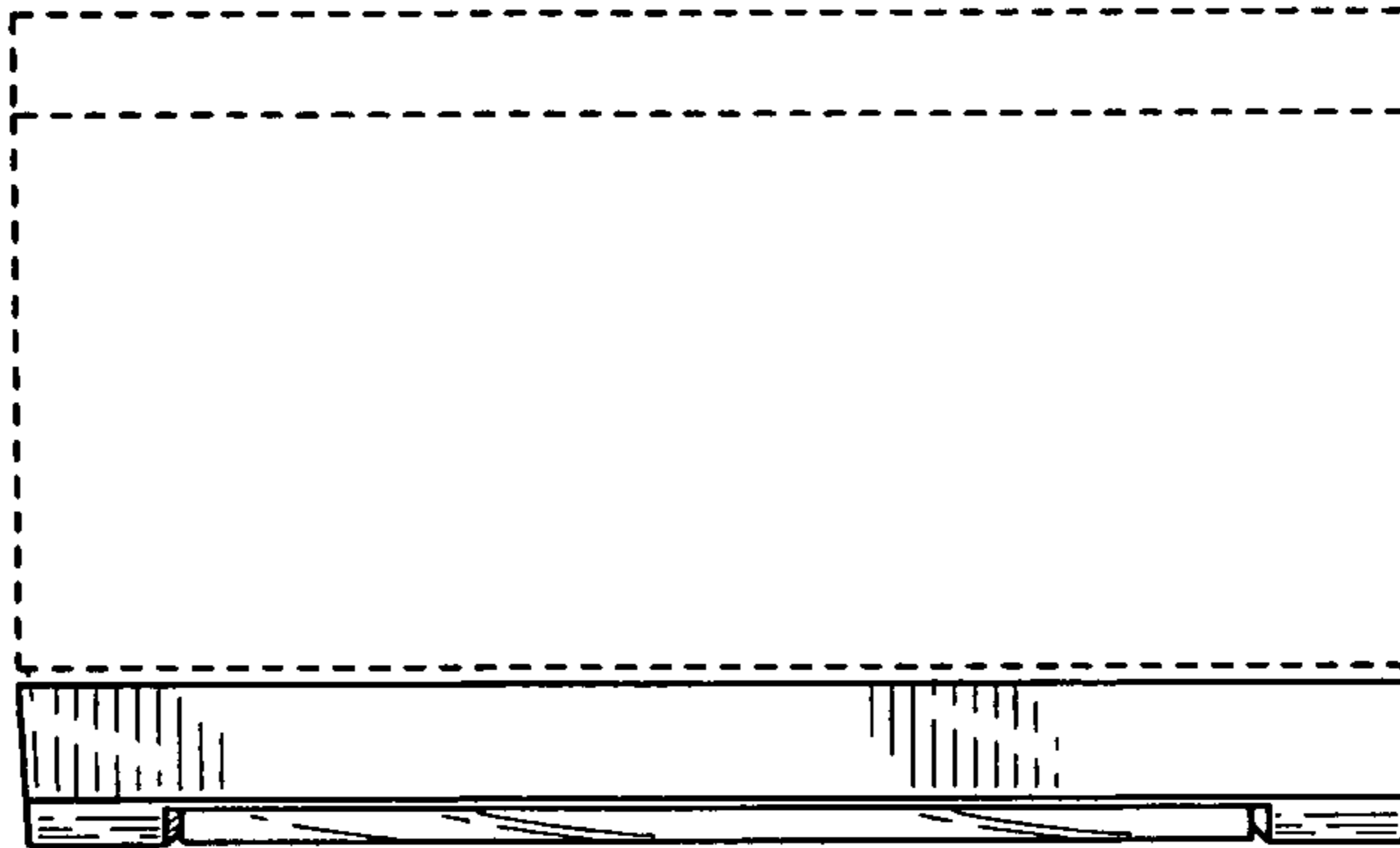


FIG.6

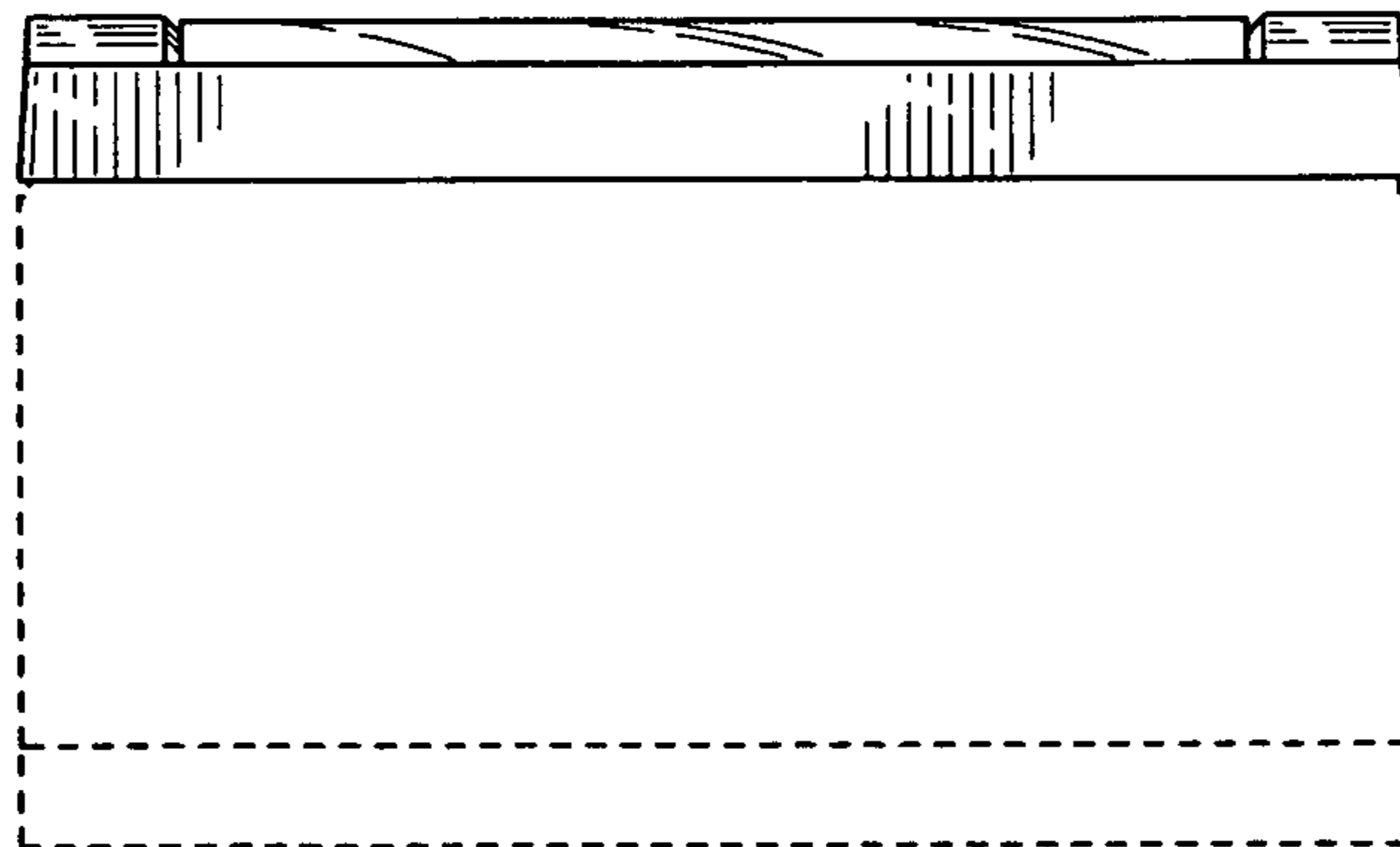


FIG. 7

