



US00D605162S

(12) **United States Design Patent**
Nara

(10) **Patent No.:** **US D605,162 S**
(45) **Date of Patent:** **** Dec. 1, 2009**

- (54) **MOBILE TELEPHONE**
- (75) Inventor: **Katsuhiro Nara**, Tokyo (JP)
- (73) Assignee: **Casio Hitachi Mobile Communications Co., Ltd.**, Tokyo (JP)
- (**) Term: **14 Years**
- (21) Appl. No.: **29/334,890**
- (22) Filed: **Apr. 3, 2009**
- (51) **LOC (9) Cl.** **14-03**
- (52) **U.S. Cl.** **D14/138 AA; D14/138 AB**
- (58) **Field of Classification Search** **D14/138 AA, D14/138 R, 138 AD, 341-347, 138 AB; 455/575.1, 455/575.4, 556.2, 575.3**
See application file for complete search history.

2004/0058720 A1* 3/2004 Kubo et al. 455/575.1

OTHER PUBLICATIONS

Nokia E90 telephone, announced Feb. 2007, [online], [site visited Aug. 19, 2009]. Available from Internet, <URL: <http://www.gsmarena.com>>.*

Motorola A630 telephone, announced 1st quarter 2004, [online], [site visited Aug. 19, 2009]. Available from Internet, <URL: <http://www.gsmarena.com>>.*

Toshiba G910/G920 telephone, announced Jan. 2008, [online], [site visited Aug. 19, 2009]. Available from Internet, <URL: <http://www.gsmarena.com>>.*

* cited by examiner

Primary Examiner—Jeffrey D Asch
(74) *Attorney, Agent, or Firm*—Frishauf, Holtz, Goodman & Chick, P.C.

(56) **References Cited**

U.S. PATENT DOCUMENTS

- D377,341 S * 1/1997 Imai et al. D14/343
- D392,968 S * 3/1998 Johansson D14/144
- D398,307 S * 9/1998 Collins D14/144
- D410,002 S * 5/1999 Collins D14/138 AA
- D447,740 S * 9/2001 Johansson D14/138 AA
- D519,094 S * 4/2006 Helin D14/138 AA
- D526,296 S * 8/2006 Wen D14/138 AA
- D534,514 S * 1/2007 Hering D14/138 AA
- D537,064 S * 2/2007 Kim et al. D14/138 AA
- D542,260 S * 5/2007 Lee D14/138 AA
- D543,171 S * 5/2007 Kim et al. D14/138 AA
- D552,584 S * 10/2007 Lee D14/138 AA
- D558,719 S * 1/2008 Choi et al. D14/138 AA
- D560,197 S * 1/2008 Kim et al. D14/138 AB
- D560,642 S * 1/2008 Yun et al. D14/138 AA
- D563,371 S * 3/2008 Kim et al. D14/138 AA
- D565,015 S * 3/2008 Kim et al. D14/138 AA
- D565,017 S * 3/2008 Kim et al. D14/138 AA
- D574,347 S * 8/2008 Lee et al. D14/138 AA
- D576,597 S * 9/2008 Lim et al. D14/138 AB
- D576,598 S * 9/2008 Lim et al. D14/138 AA
- D591,254 S * 4/2009 Lim et al. D14/138 AA
- D591,255 S * 4/2009 Lee et al. D14/138 AA
- D597,046 S * 7/2009 Millora D14/138 AA
- D599,764 S * 9/2009 Park D14/138 AA

(57) **CLAIM**

The ornamental design for a mobile telephone, as shown and described.

DESCRIPTION

FIG. 1 is a front, right side and top perspective view of a mobile telephone showing my new design;

FIG. 2 is a front elevational view thereof;

FIG. 3 is a rear elevational view thereof;

FIG. 4 is a left side view thereof;

FIG. 5 is a right side view thereof;

FIG. 6 is a top plan view thereof;

FIG. 7 is a bottom plan view thereof;

FIG. 8 is a perspective view thereof, with the front member in an open position, and drawn to a smaller scale;

FIG. 9 is a front elevational view thereof;

FIG. 10 is a rear elevational view thereof;

FIG. 11 is a left side view thereof;

FIG. 12 is a right side view thereof;

FIG. 13 is a top plan view thereof; and,

FIG. 14 is a bottom plan view thereof.

1 Claim, 14 Drawing Sheets

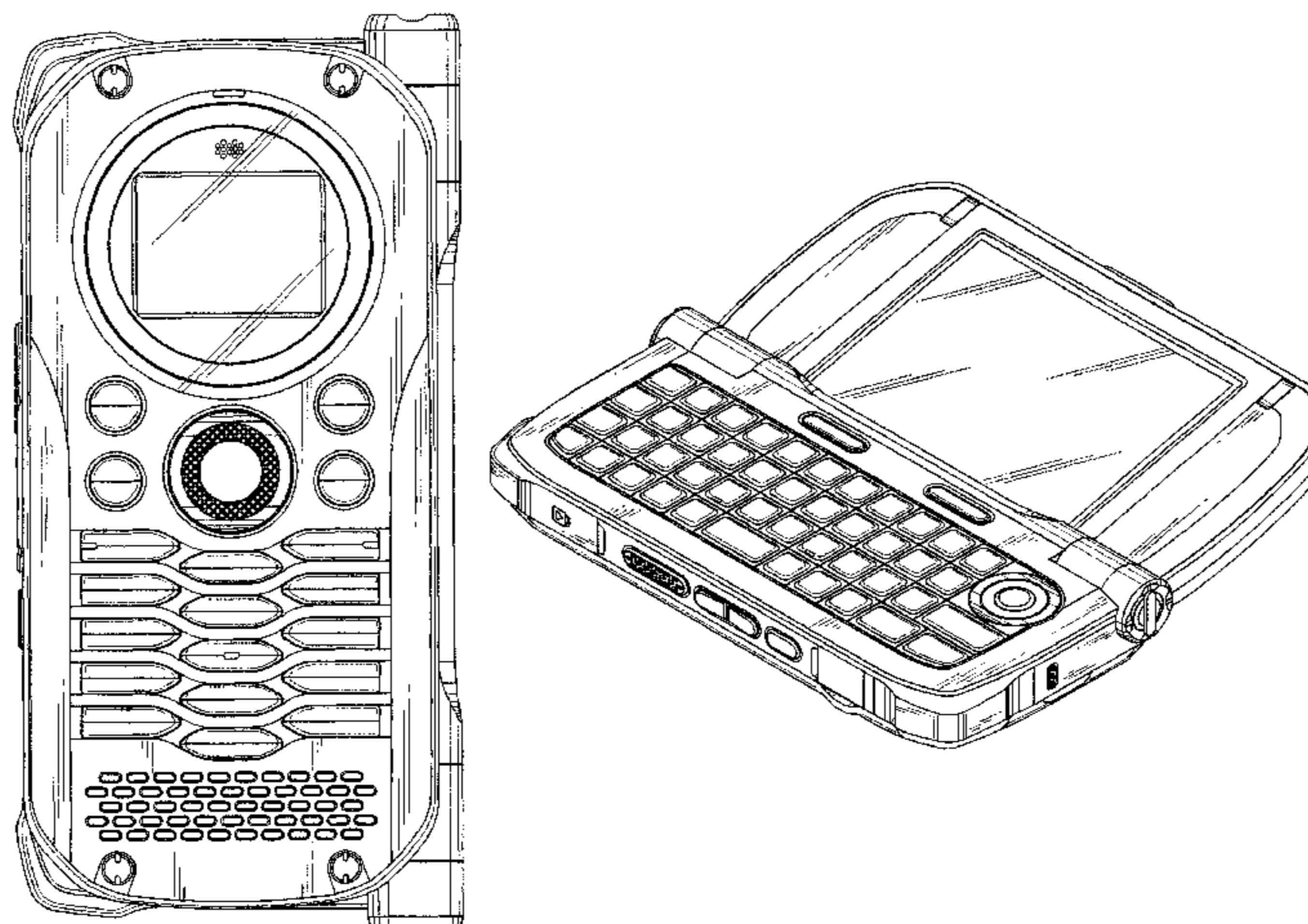


FIG. 1

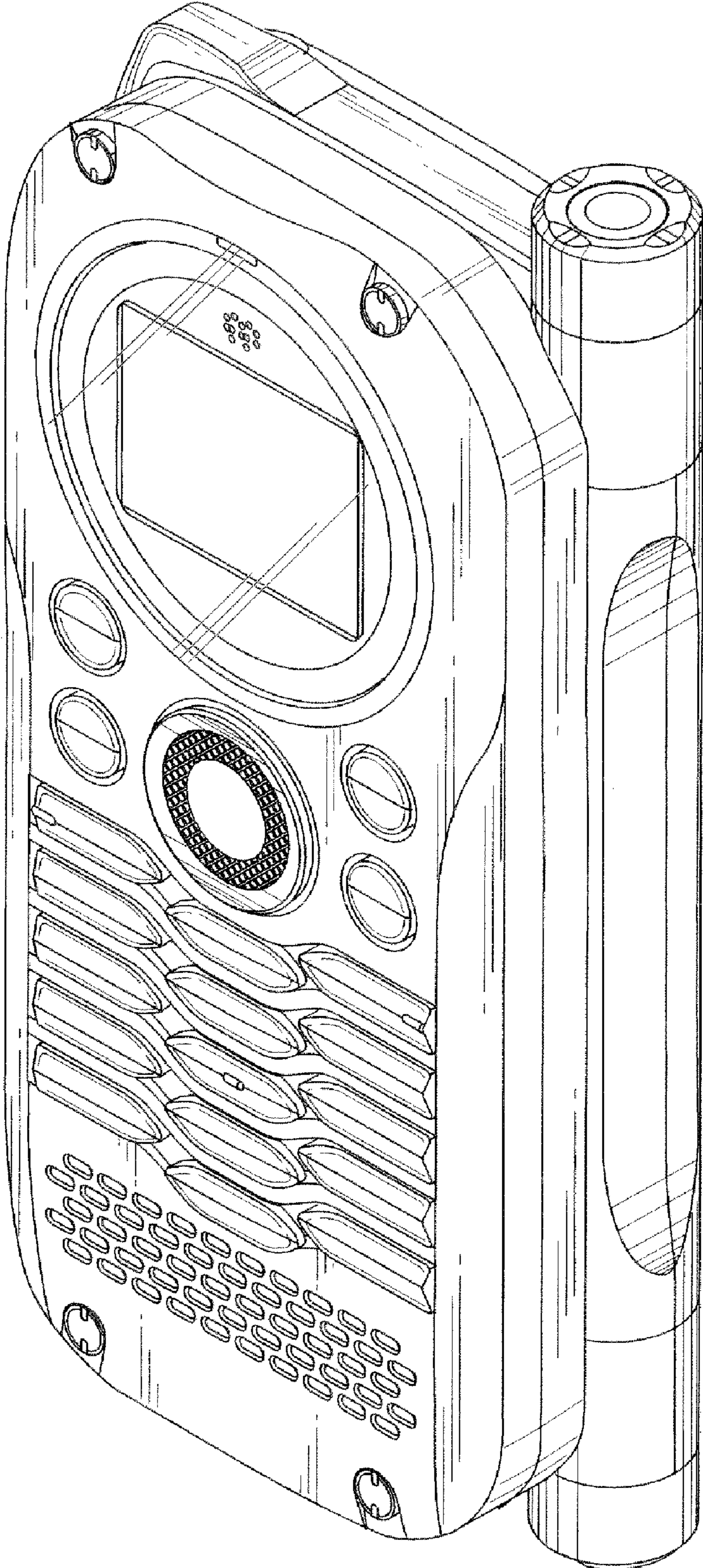


FIG. 2

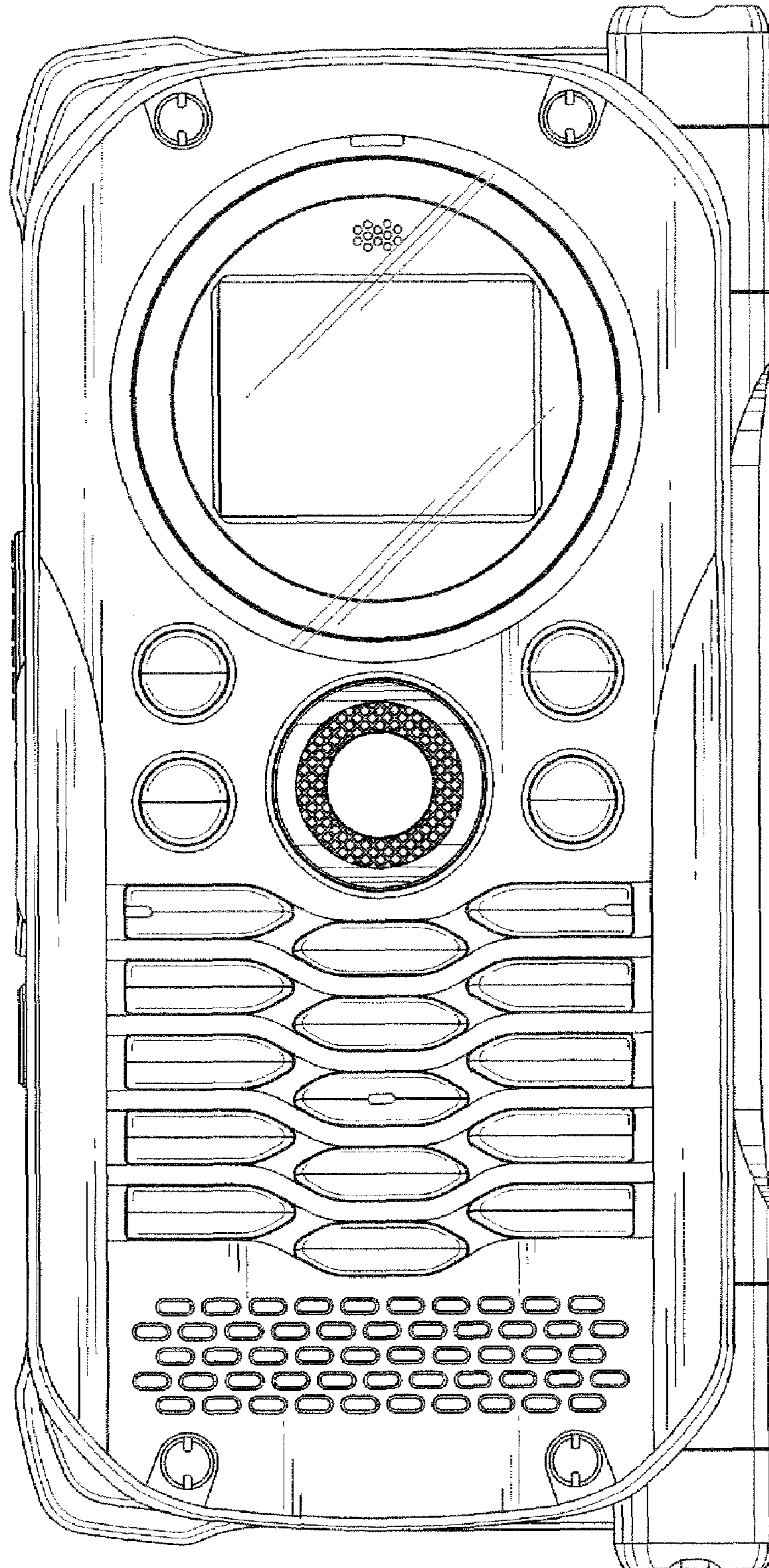


FIG. 3

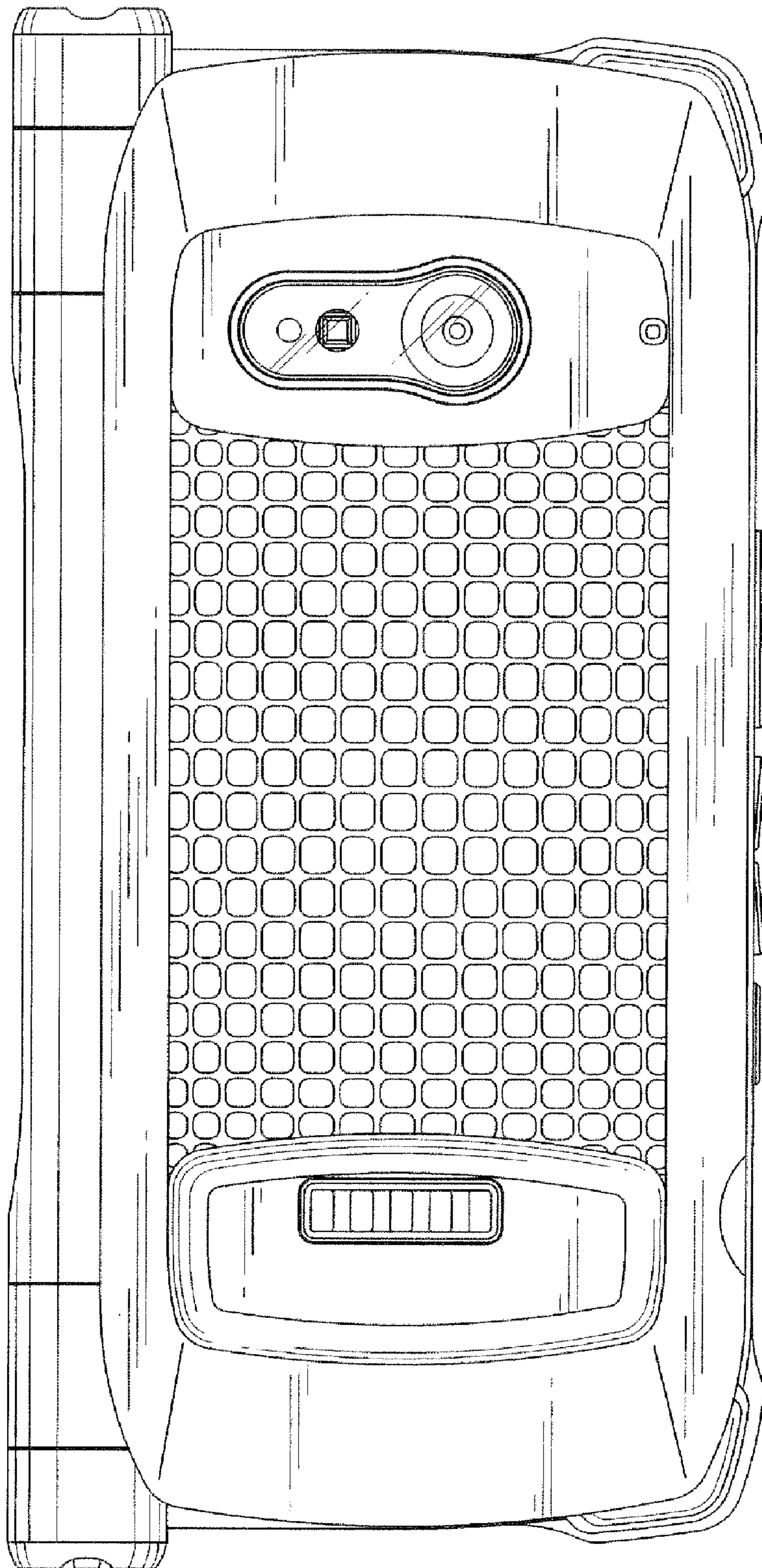


FIG. 4

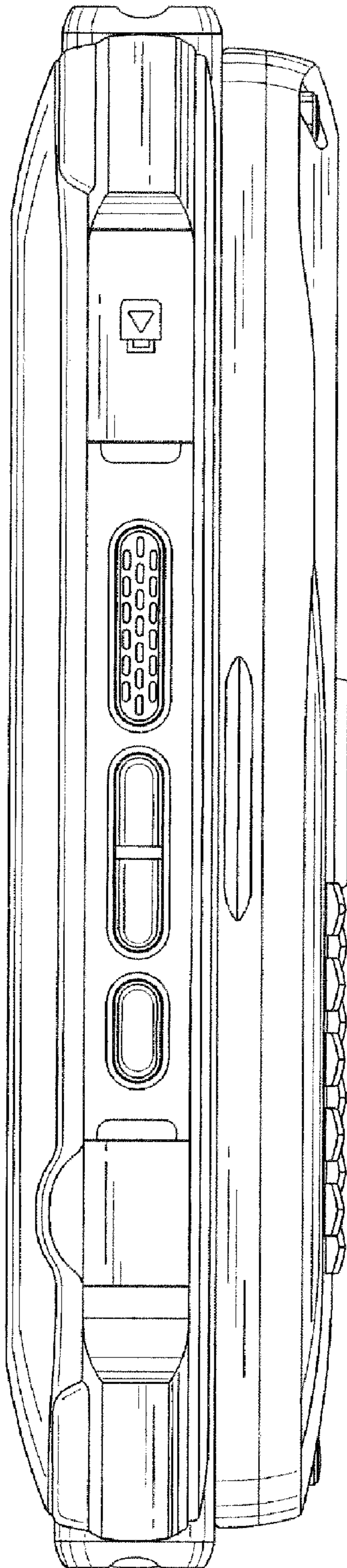


FIG 5

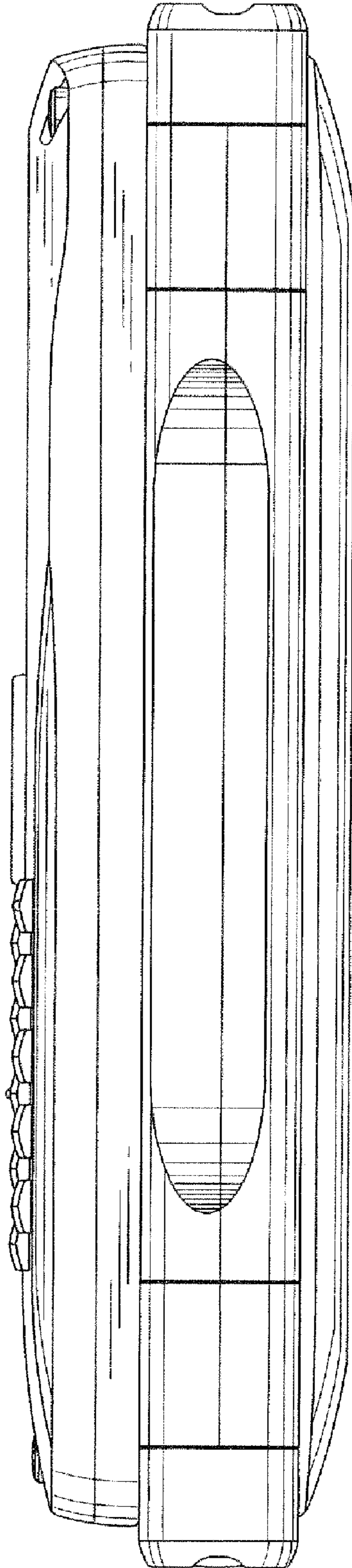


FIG. 6

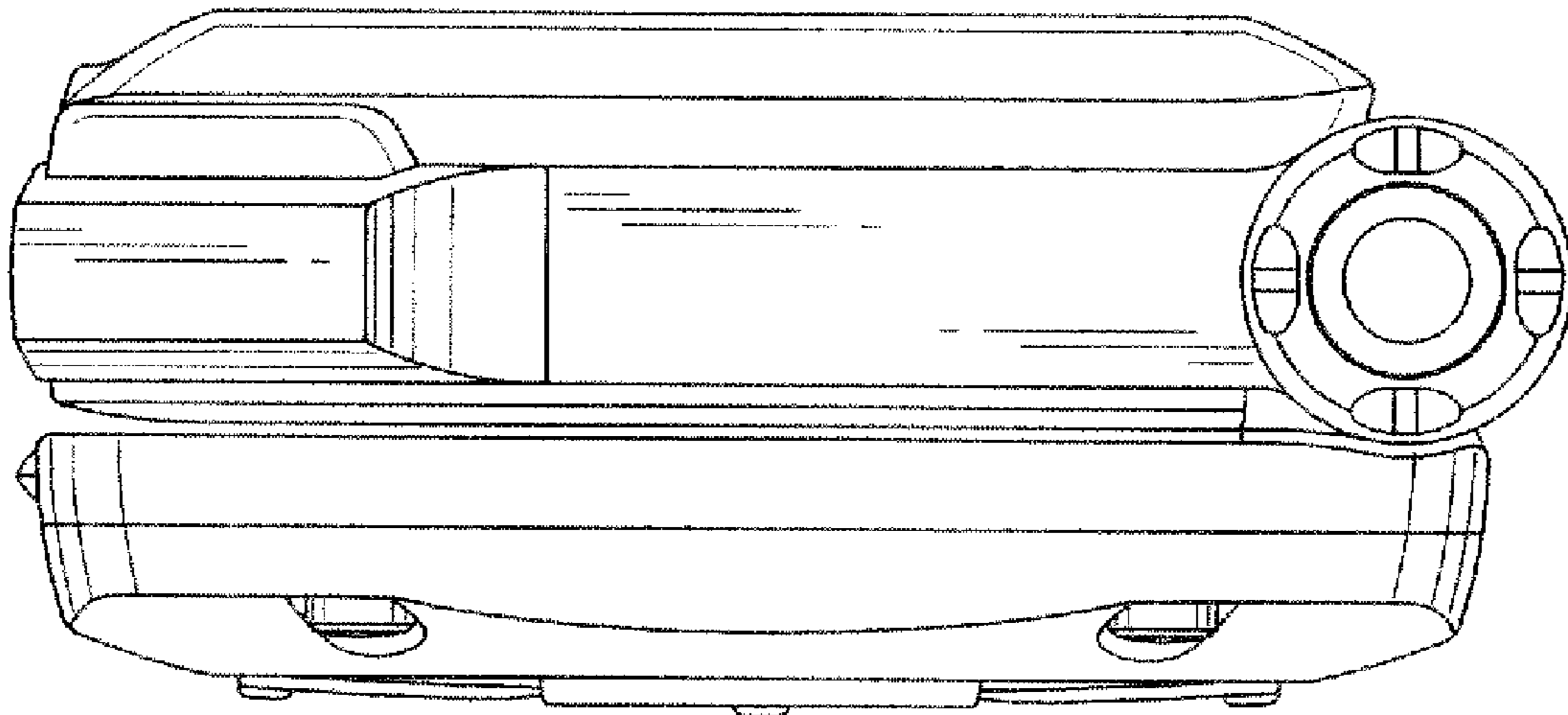


FIG. 7

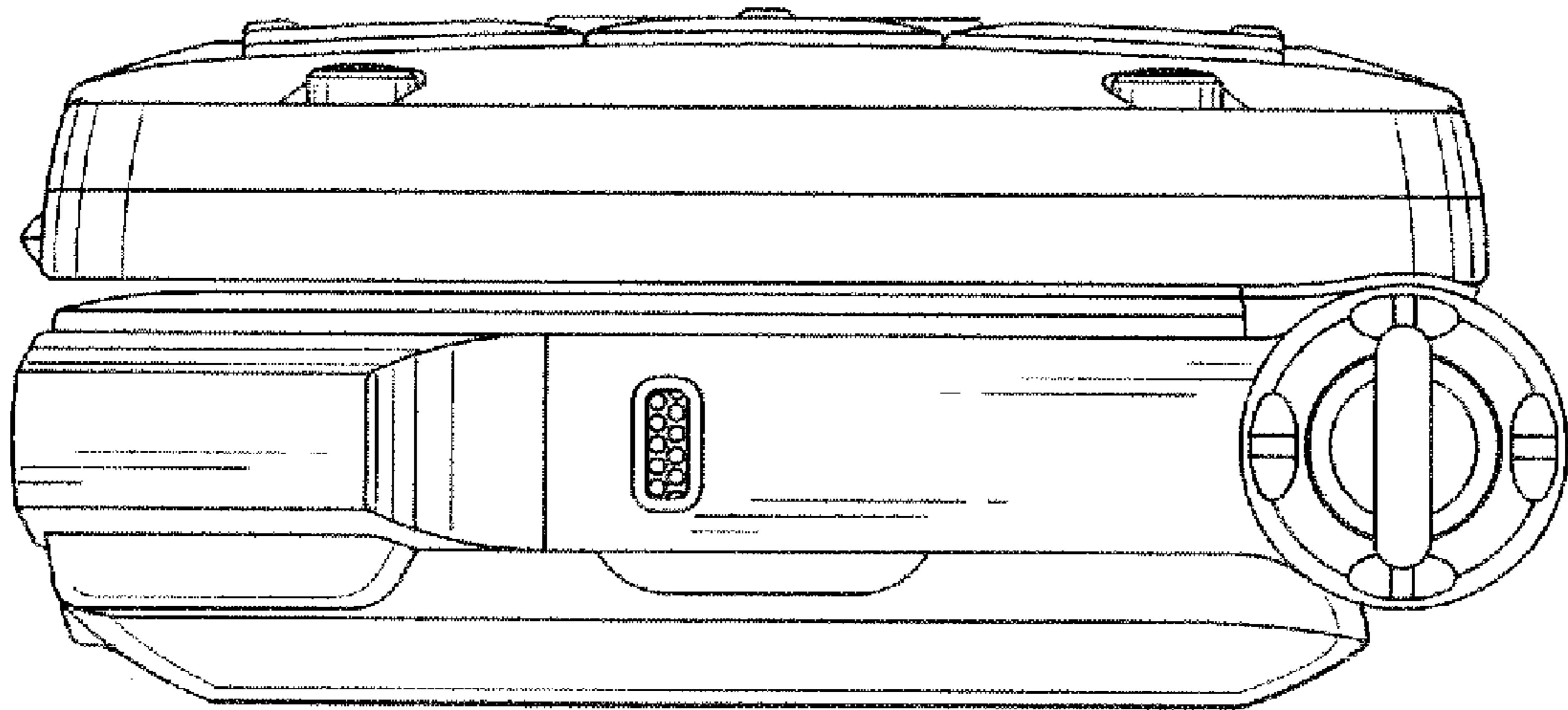


FIG. 8

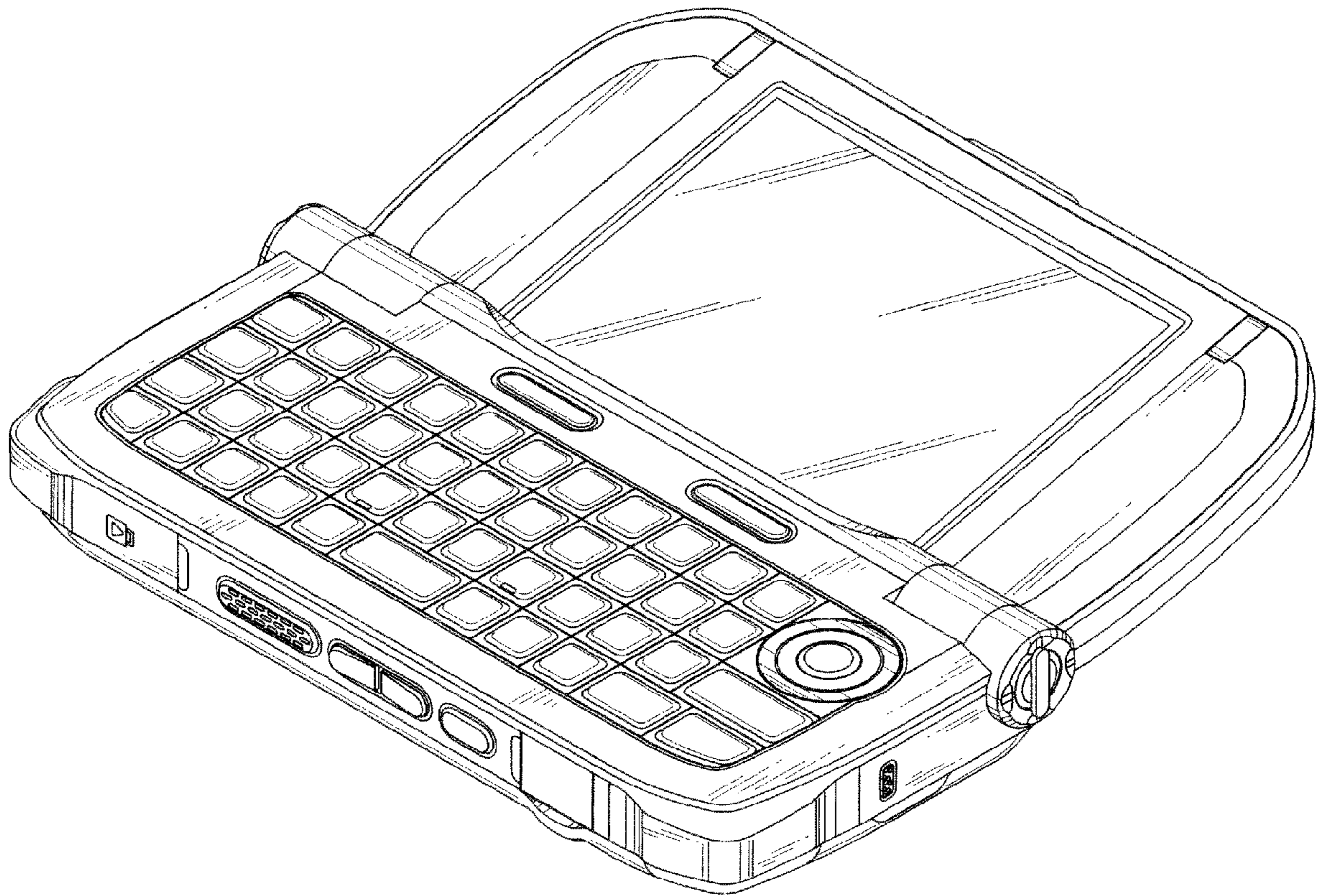


FIG. 9

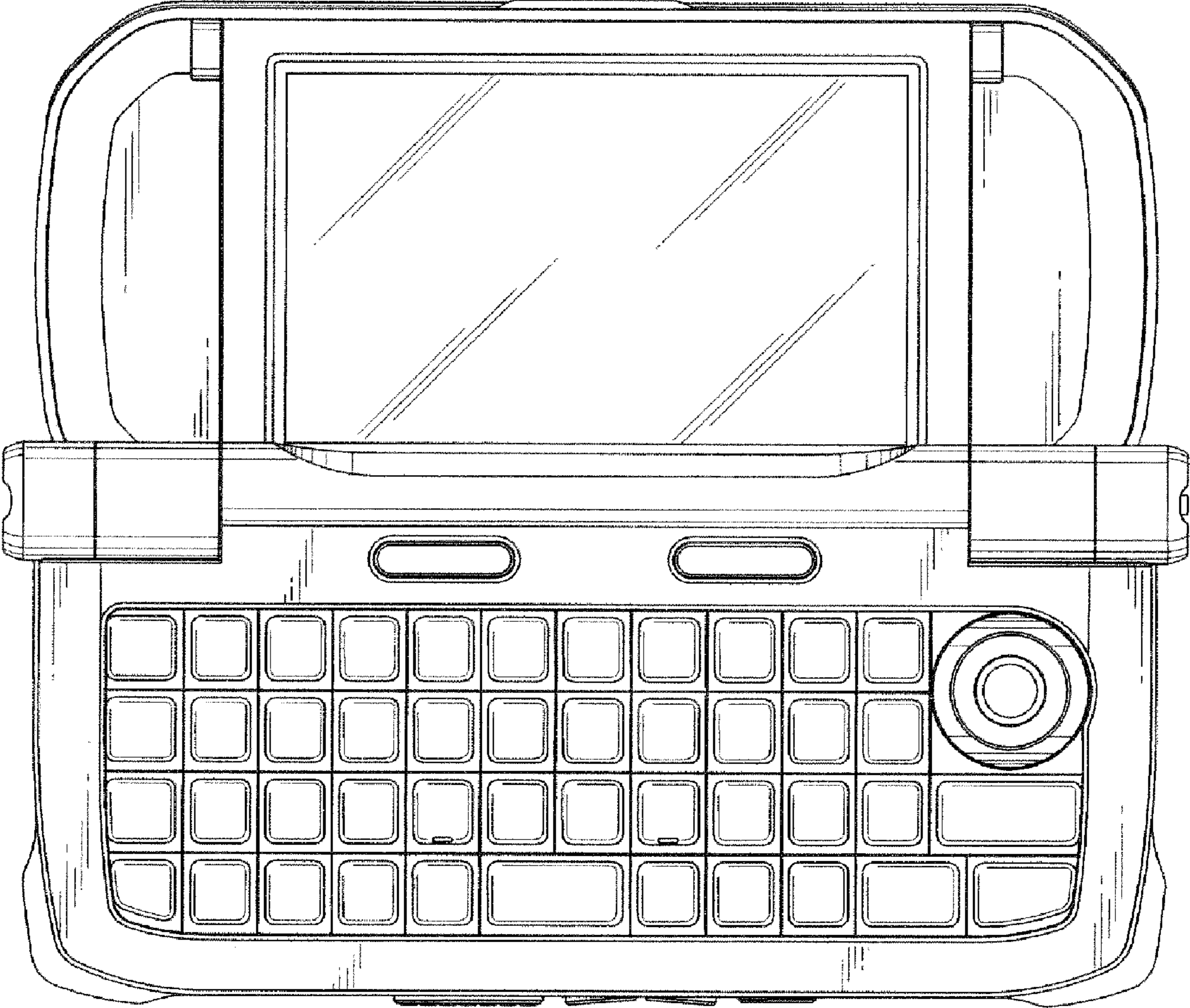


FIG. 10

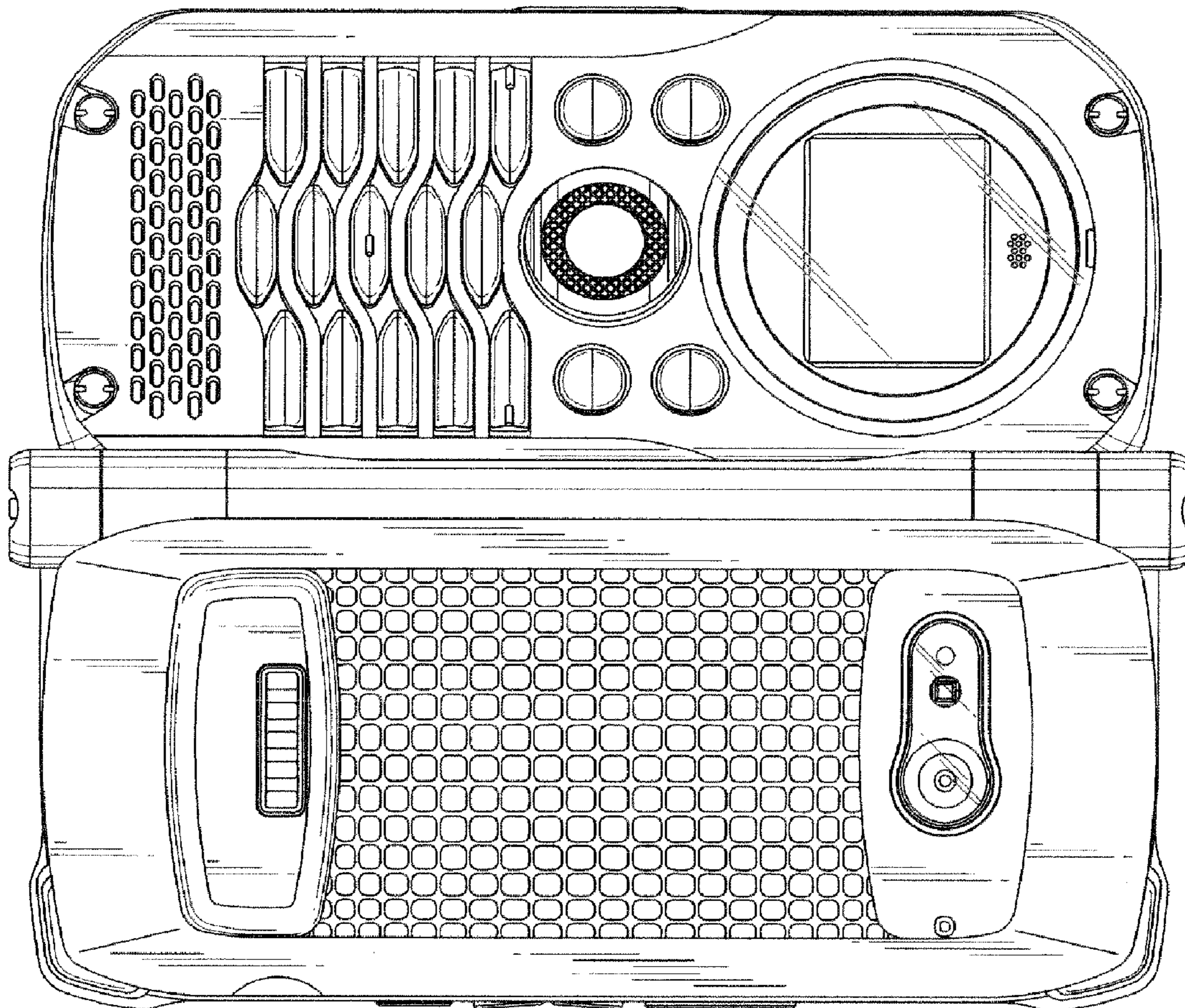


FIG. 11

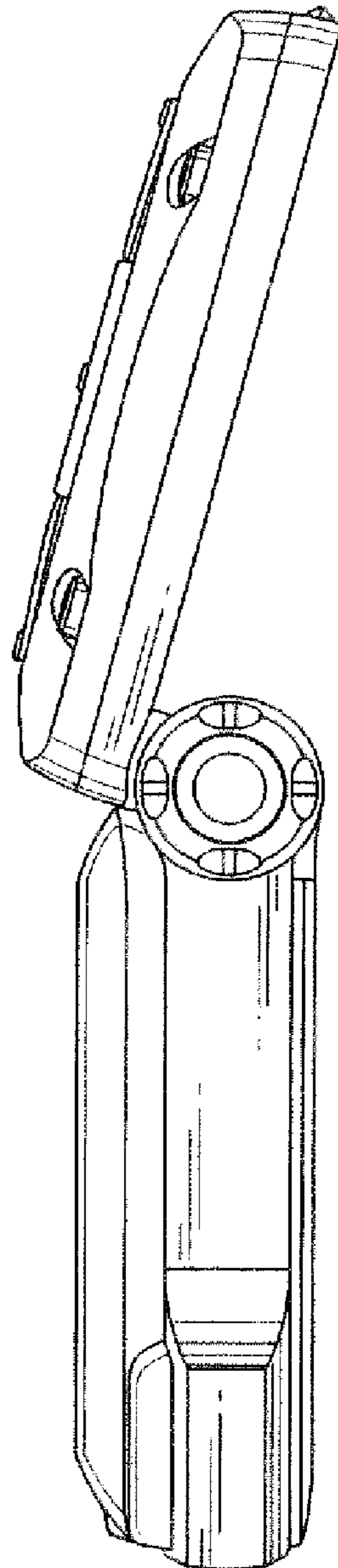


FIG. 12

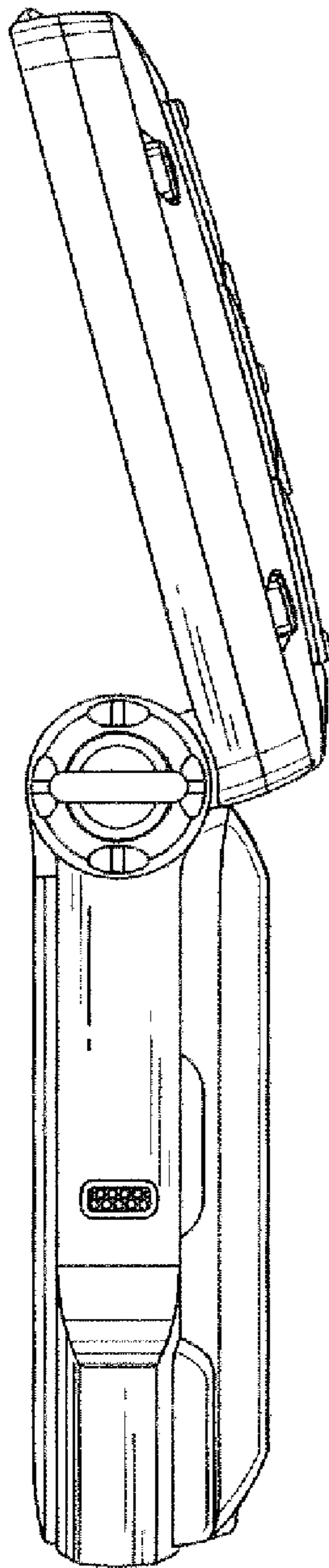


FIG. 13

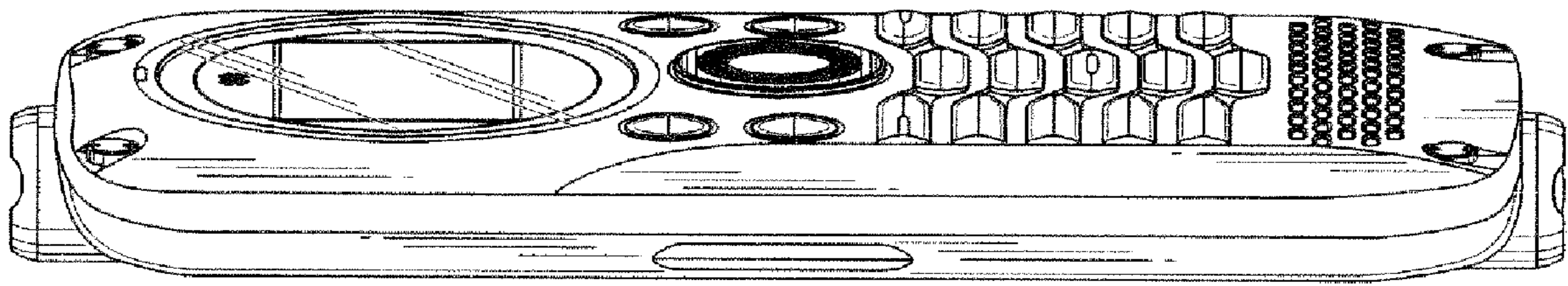


FIG. 14

