



US00D605152S

(12) **United States Design Patent**  
**Burns**

(10) **Patent No.:** **US D605,152 S**

(45) **Date of Patent:** **\*\* \*Dec. 1, 2009**

(54) **HANDSET**

WO DM/069415 \* 9/2007

(75) Inventor: **Duncan Burns**, Tarzana, CA (US)

(73) Assignee: **Nokia Corporation**, Espoo (FI)

(\* ) Notice: This patent is subject to a terminal disclaimer.

(\*\*) Term: **14 Years**

(21) Appl. No.: **29/278,485**

(22) Filed: **Mar. 30, 2007**

(51) **LOC (9) Cl.** ..... **14-03**

(52) **U.S. Cl.** ..... **D14/138**

(58) **Field of Classification Search** ..... D14/137,  
D14/138, 147, 218, 247-248, 341-347, 496;  
455/90.3, 556.1, 556.2, 575.1, 575.3, 575.4,  
455/566; 379/433.01-433.13; 361/814;  
348/14.02; D10/65, 78, 104; D13/168; D18/7;  
345/169

See application file for complete search history.

(56) **References Cited**

**U.S. PATENT DOCUMENTS**

D477,293 S *	7/2003	Hwang	.....	D14/138
D488,791 S *	4/2004	Honda et al.	.....	D14/138
D489,344 S *	5/2004	Lee et al.	.....	D14/138
D496,017 S *	9/2004	Hsu et al.	.....	D14/138
D496,347 S *	9/2004	Choi et al.	.....	D14/191
D497,894 S *	11/2004	Kim	.....	D14/138
D498,468 S *	11/2004	Seo	.....	D14/138
D502,161 S *	2/2005	Kim et al.	.....	D14/138
D504,406 S *	4/2005	Cho et al.	.....	D14/138
D506,737 S *	6/2005	Koo et al.	.....	D14/138
D508,035 S *	8/2005	Kim et al.	.....	D14/138

(Continued)

**FOREIGN PATENT DOCUMENTS**

WO	DM/064560	* 10/2003
WO	DM/069159	* 5/2007

**OTHER PUBLICATIONS**

Nec DB7000, announced 2002, [online], [retrieved on Dec. 13, 2007]. Retrieved from Internet ,<URL: http://www.gsmarena.com>.\*

Alcatel OT-C507, announced Feb. 2007, [online], [retrieved on Apr. 18, 2008]. Retrieved from Internet ,<URL:http://www.gsmarena.com>.\*

*Primary Examiner*—Jeffrey D. Asch  
*Assistant Examiner*—Bridget L Eland

(74) *Attorney, Agent, or Firm*—Banner & Witcoff, Ltd.

(57) **CLAIM**

The ornamental design for a handset, as shown and described.

**DESCRIPTION**

FIG. 1 is a bottom plan view of a handset showing my new design;

FIG. 2 is a right side view thereof;

FIG. 3 is a front view thereof;

FIG. 4 is a left side view thereof;

FIG. 5 is a top plan view thereof;

FIG. 6 is a rear view thereof;

FIG. 7 is a perspective front view thereof;

FIG. 8 is a perspective rear view thereof;

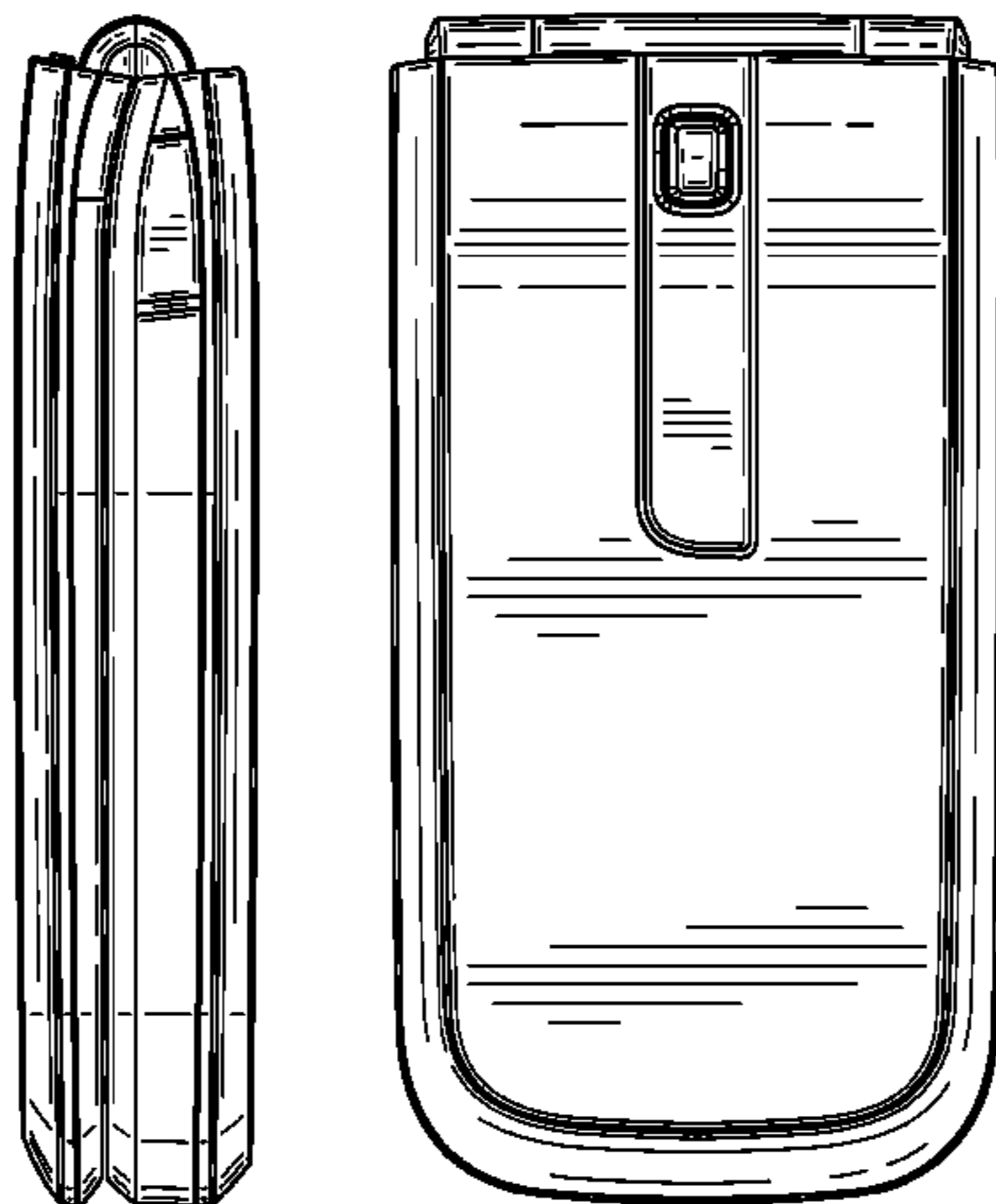
FIG. 9 is a front view of the handset of FIGS. 1-8 in an alternate in-use position;

FIG. 10 is a perspective front view thereof; and,

FIG. 11 is a perspective rear view thereof.

The broken lines immediately adjacent the shaded areas represent the bounds of the claimed design while all other broken lines are directed to environment and are for illustrative purposes only; the broken lines form no part of the claimed design.

**1 Claim, 6 Drawing Sheets**



# US D605,152 S

Page 2

---

## U.S. PATENT DOCUMENTS

D509,816 S *	9/2005	Kim et al. ....	D14/138	D558,744 S *	1/2008	Dombrowski et al. ....	D14/247
D525,224 S *	7/2006	Pitt et al. ....	D14/138	D560,200 S *	1/2008	Mun et al. ....	D14/138
D534,517 S *	1/2007	Cho et al. ....	D14/138	D565,531 S *	4/2008	Park et al. ....	D14/138
D536,689 S *	2/2007	Suzuki et al. ....	D14/138	2001/0019946 A1 *	9/2001	Okuda ....	455/90
D538,276 S *	3/2007	Wang ....	D14/247	2001/0034242 A1 *	10/2001	Takagi ....	455/550
D543,172 S *	5/2007	Lee et al. ....	D14/138	2002/0051060 A1 *	5/2002	Wada ....	348/207
D543,173 S *	5/2007	Park et al. ....	D14/138	2003/0125080 A1 *	7/2003	Shimamura ....	455/556
D546,307 S *	7/2007	Lee ....	D14/138	2003/0203747 A1 *	10/2003	Nagamine ....	455/575.3
D551,643 S *	9/2007	Kim et al. ....	D14/138	2004/0097277 A1 *	5/2004	Shimamura ....	455/575.3
D552,583 S *	10/2007	Choi et al. ....	D14/138	2006/0063572 A1 *	3/2006	Garcia et al. ....	455/575.3
				2006/0094482 A1 *	5/2006	Takagi ....	455/575.3

\* cited by examiner

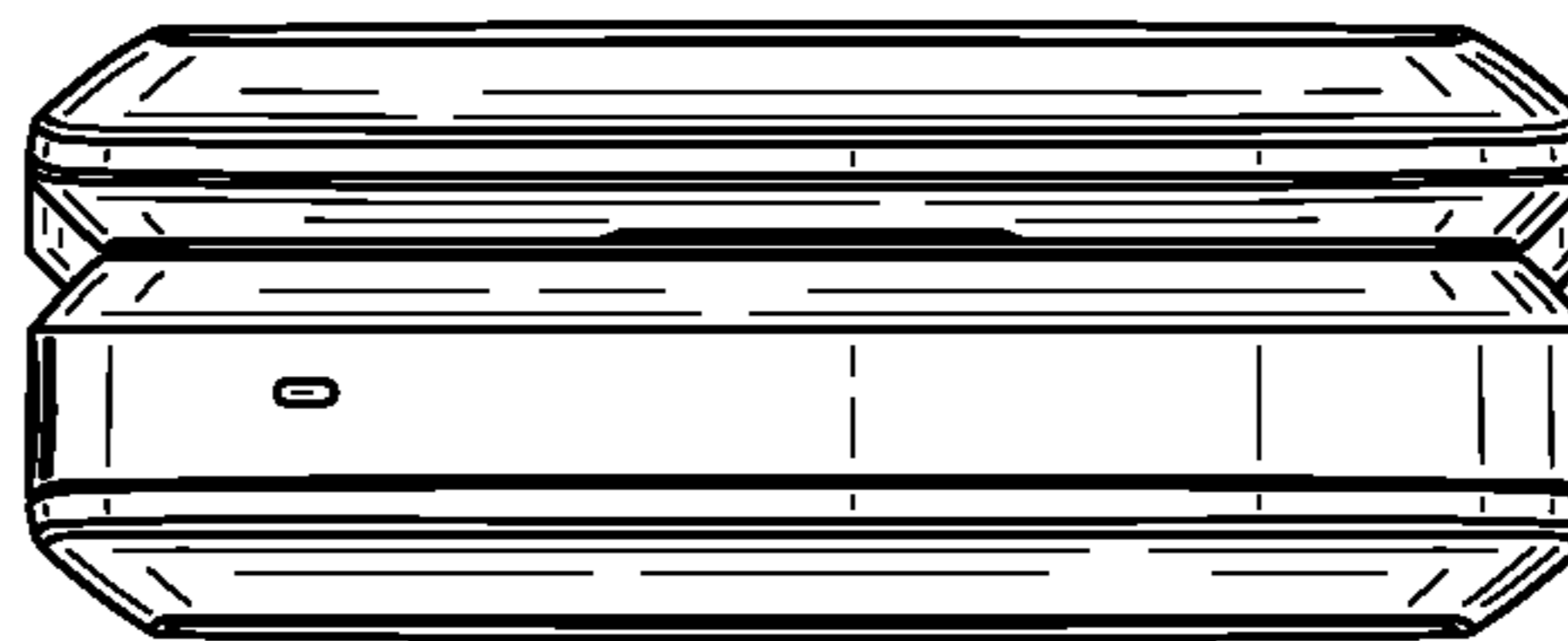


FIG. 1

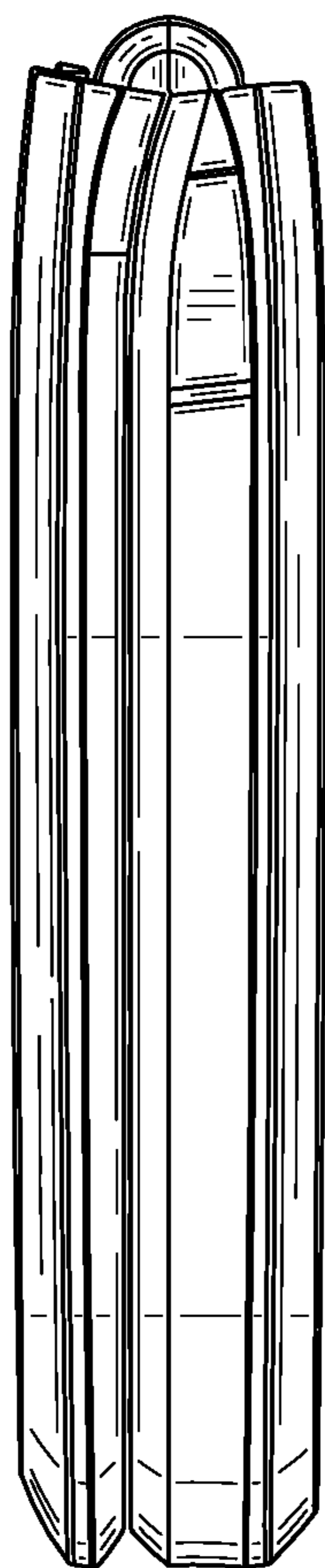


FIG. 2

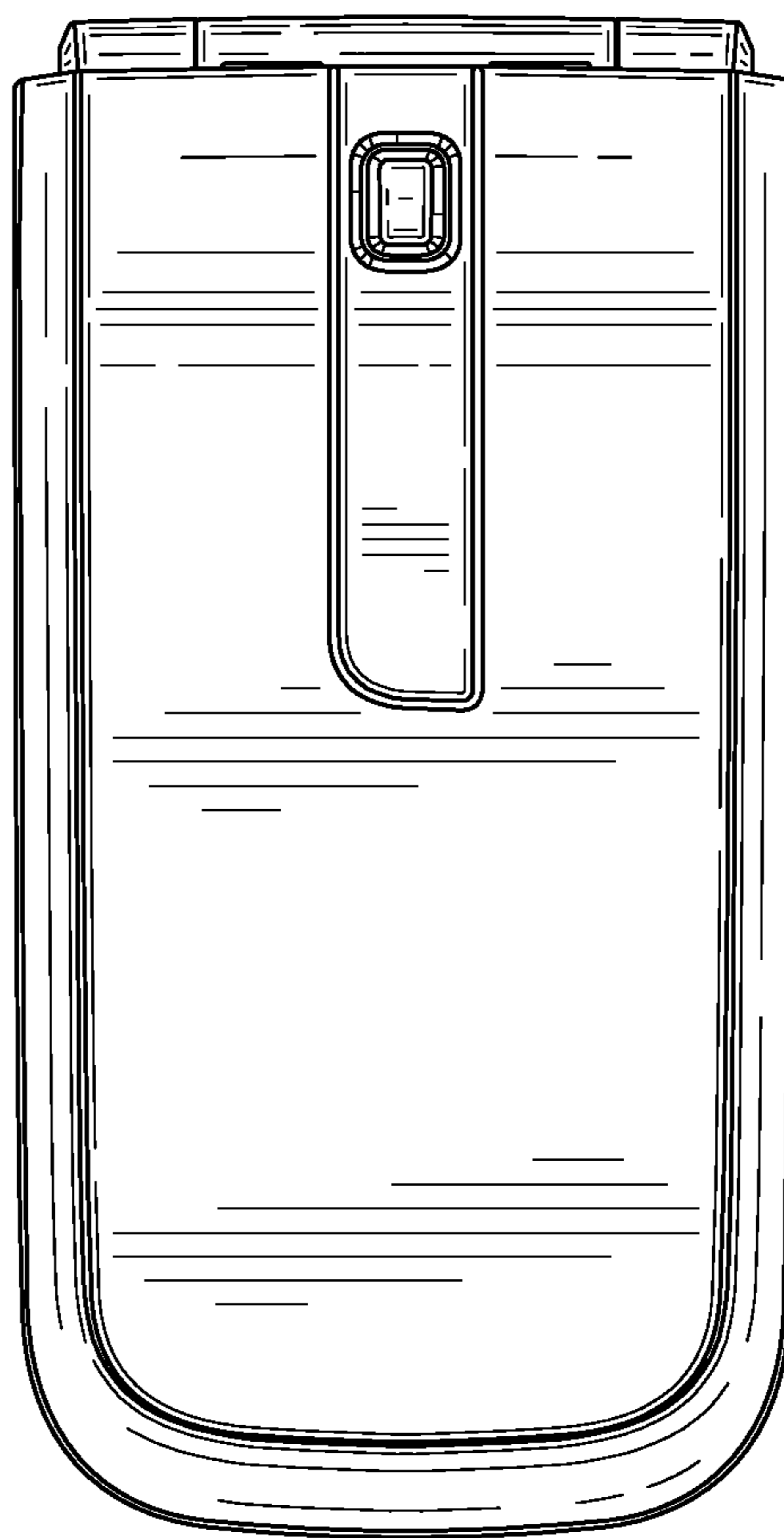


FIG. 3

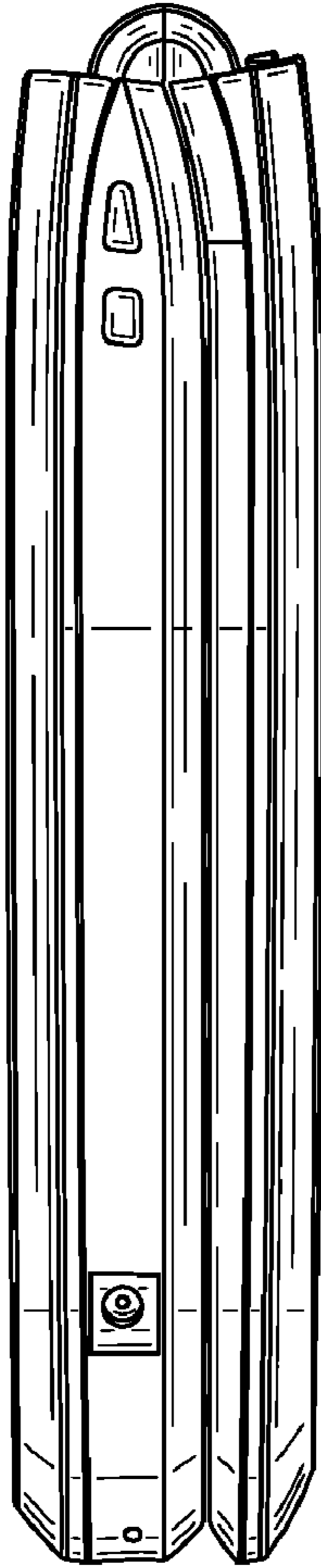


FIG. 4

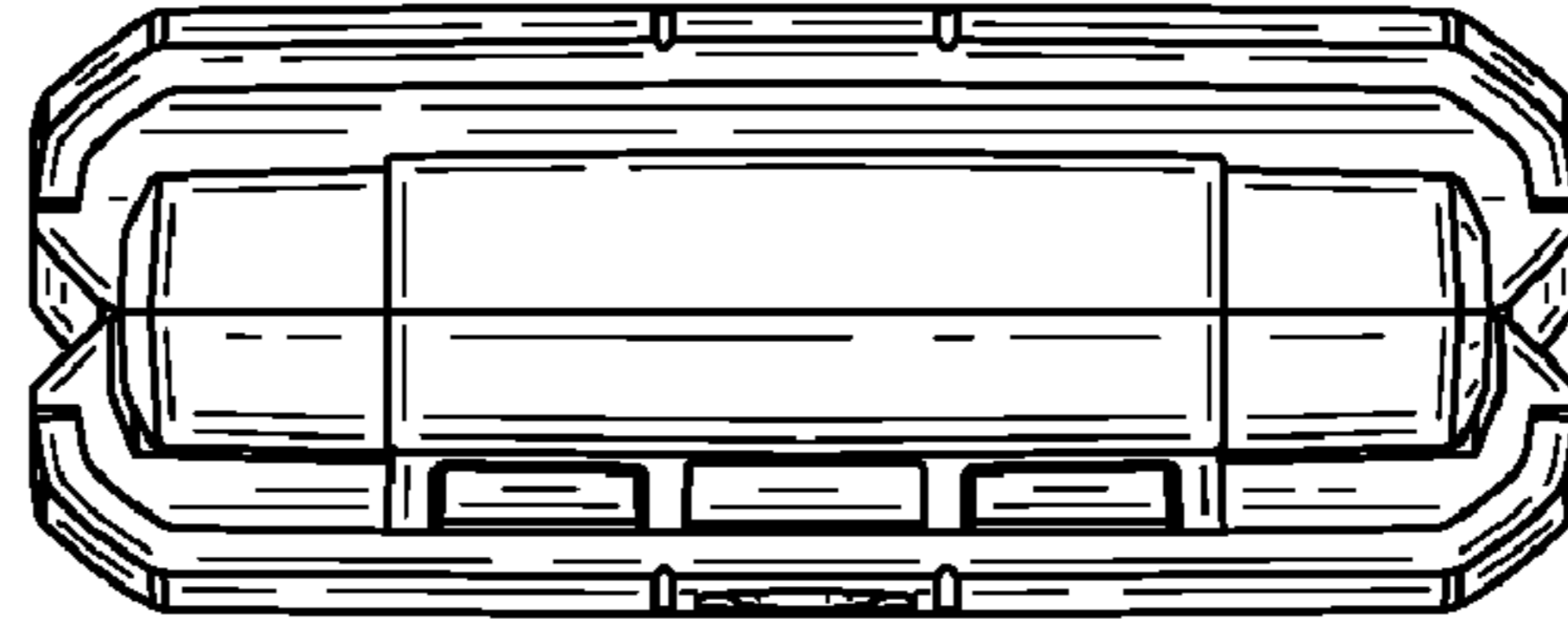


FIG. 5

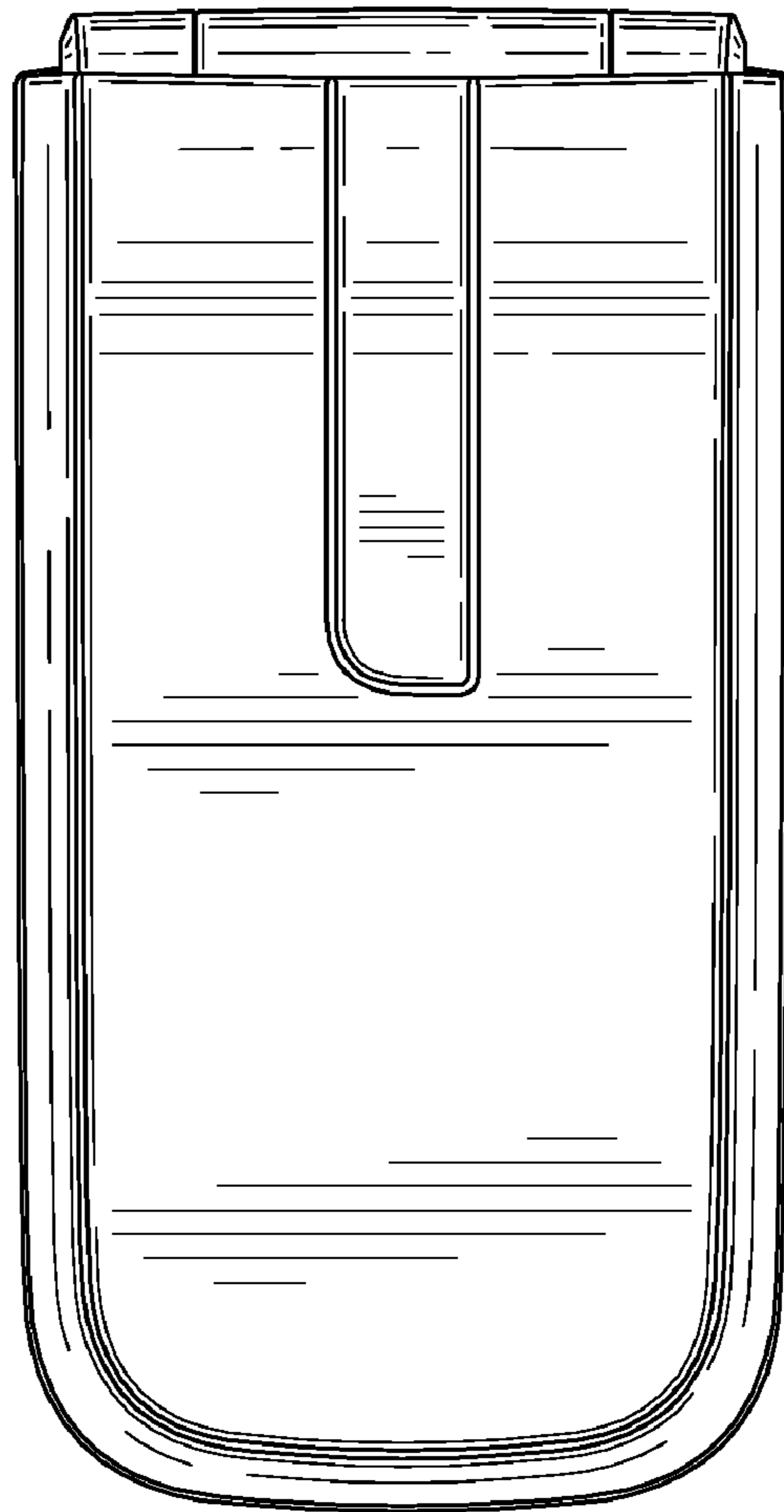


FIG. 6

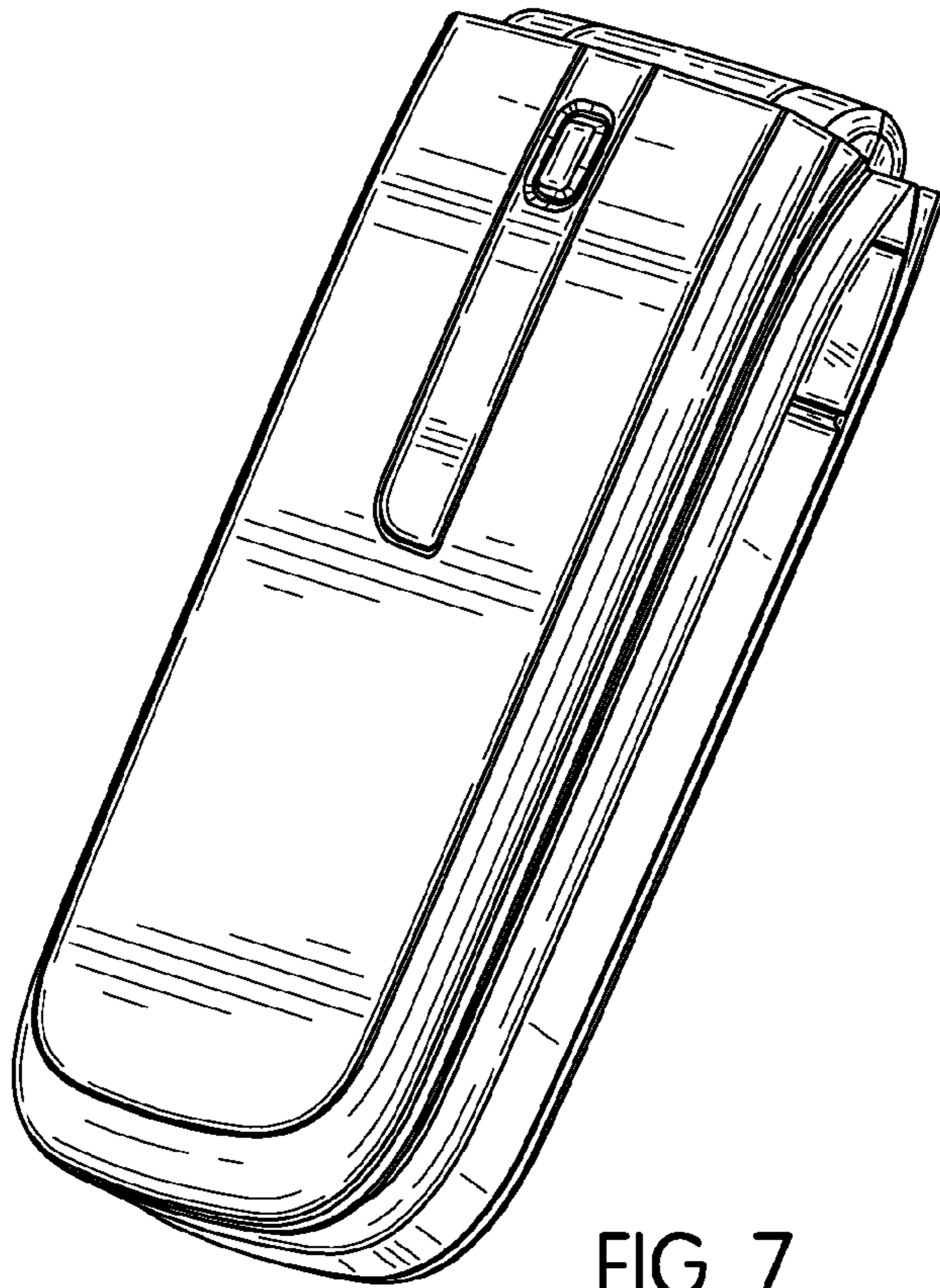


FIG. 7

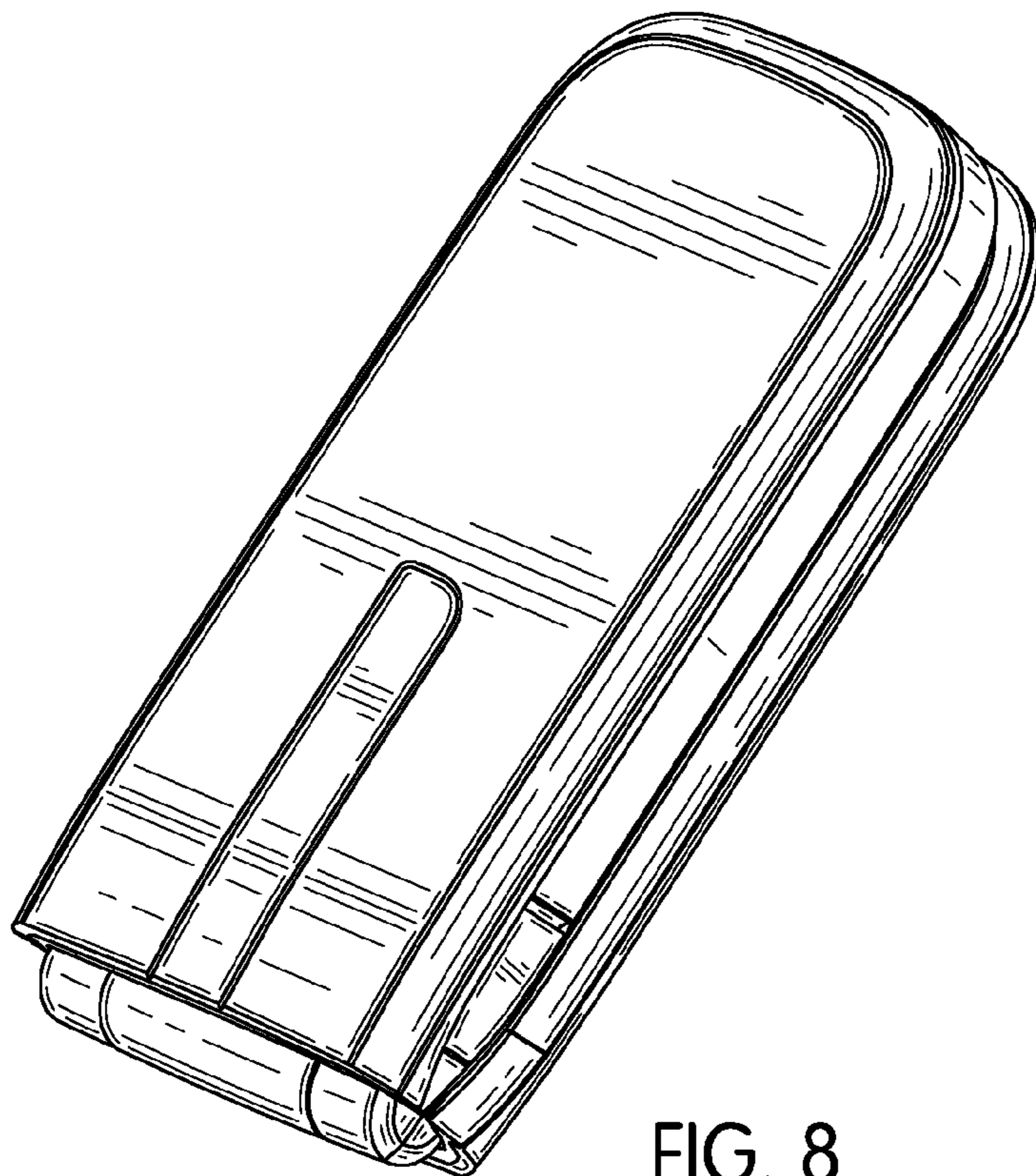


FIG. 8

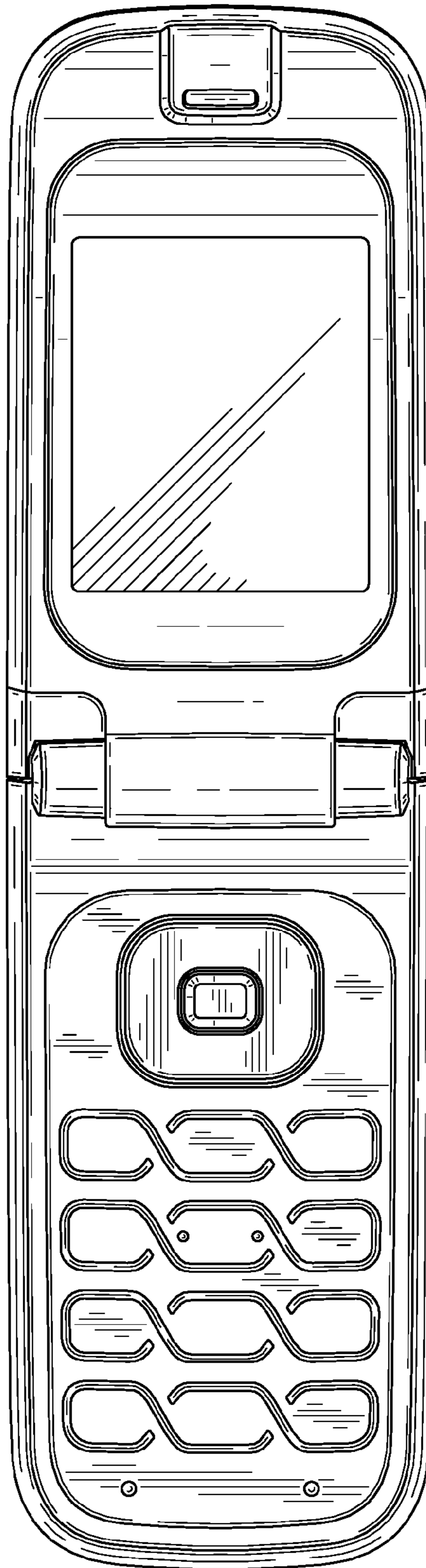


FIG. 9

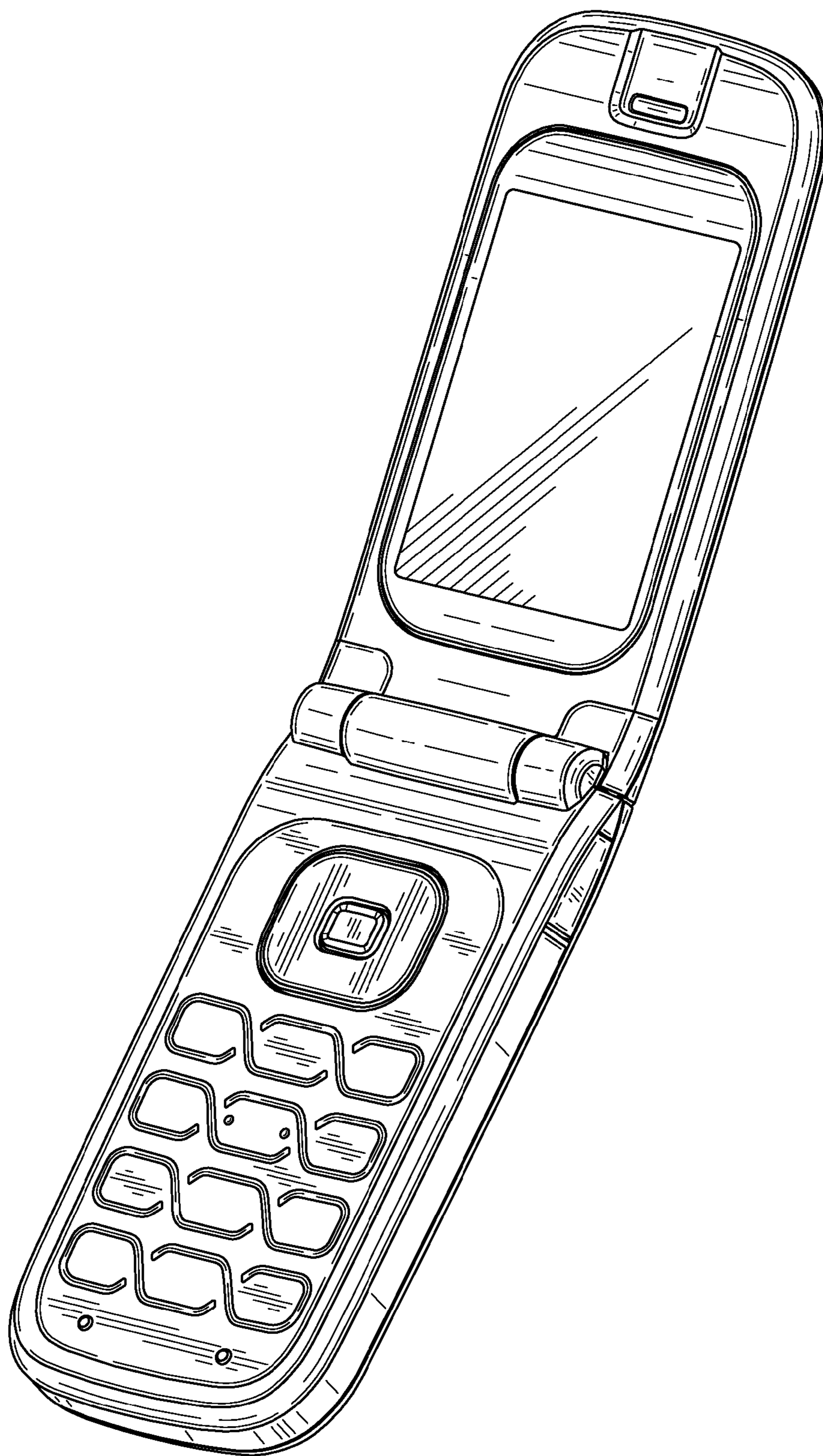


FIG. 10

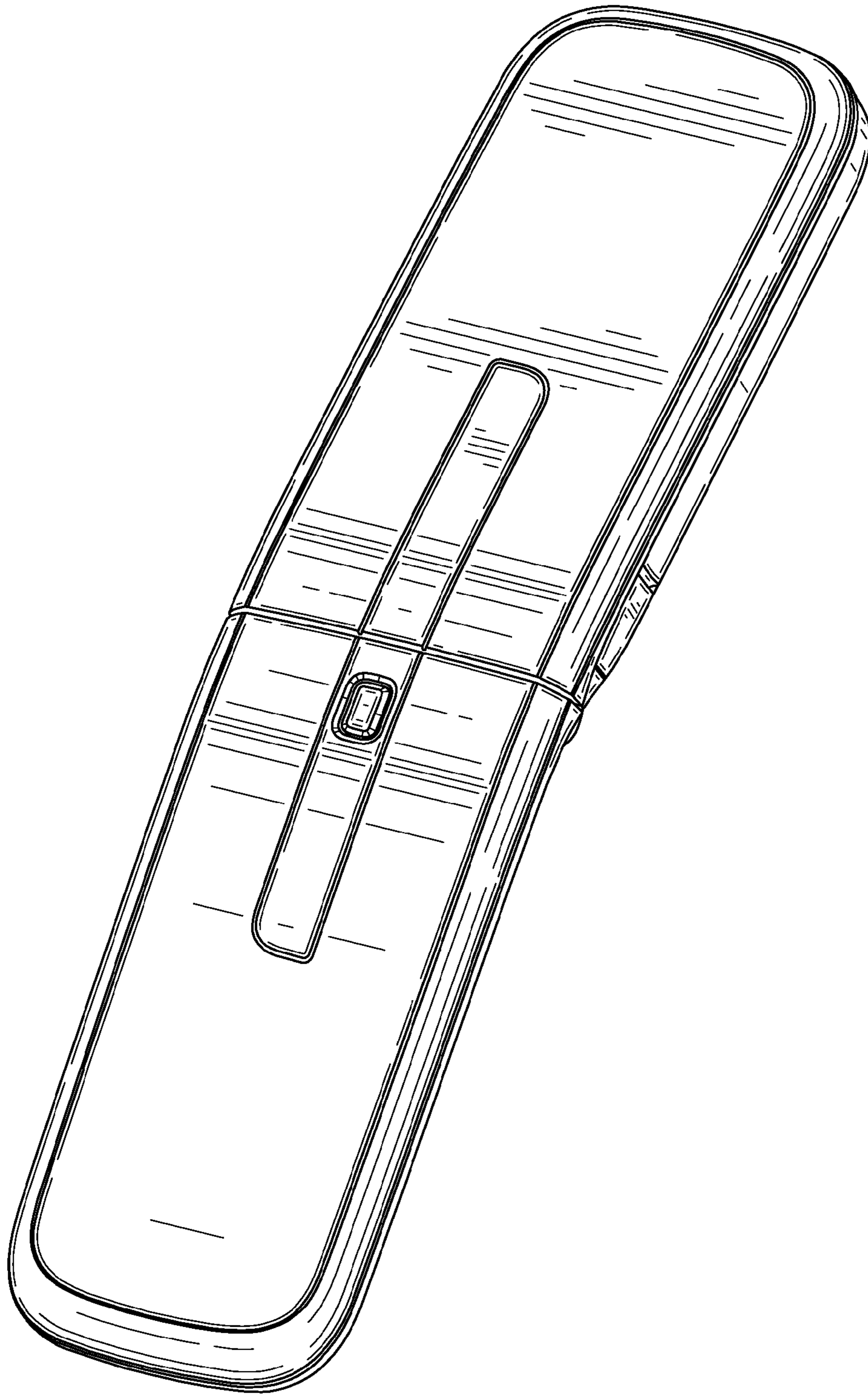


FIG. 11