



US00D605151S

(12) **United States Design Patent**  
**Honda**

(10) **Patent No.:** **US D605,151 S**  
(45) **Date of Patent:** **\*\* Dec. 1, 2009**

(54) **TELEVISION RECEIVER**

(75) Inventor: **Tatsuya Honda**, Kanagawa-ken (JP)

(73) Assignee: **Kabushiki Kaisha Toshiba** (JP)

(\*\*) Term: **14 Years**

(21) Appl. No.: **29/337,238**

(22) Filed: **May 18, 2009**

(30) **Foreign Application Priority Data**

Dec. 24, 2008 (JP) ..... 2008-032765

(51) **LOC (9) Cl.** ..... **14-03**

(52) **U.S. Cl.** ..... **D14/126**

(58) **Field of Classification Search** ..... D14/125-134,  
D14/239, 371, 136, 374-377, 440, 450, 448,  
D14/336, 342; 312/7.2; 348/836, 838, 180,  
348/184, 325, 739; 341/12; 248/917-924,  
248/465; 345/104, 133, 156, 168, 87, 173;  
720/605, 669, 600, 655; 369/99, 197; D21/329,  
D21/515, 577, 622, 333, 433, 448, 452, 450,  
D21/331; D6/477, 479, 300; 273/148 B;  
446/484, 175, 356; D10/15, 26

See application file for complete search history.

(56) **References Cited**

**U.S. PATENT DOCUMENTS**

D438,848 S \* 3/2001 Kita ..... D14/126  
D500,991 S \* 1/2005 Niitsu ..... D14/126  
D534,882 S \* 1/2007 Rashid ..... D14/126

D541,770 S \* 5/2007 Lee ..... D14/126  
D556,159 S \* 11/2007 Park et al. .... D14/126  
D578,495 S \* 10/2008 Yokota ..... D14/126  
D586,769 S \* 2/2009 Kita ..... D14/126

**FOREIGN PATENT DOCUMENTS**

CN 300744974D 2/2008  
JP D1332407 6/2008  
JP D1338609 8/2008  
KR 30-0407880 3/2006  
KR 30-0410248 3/2006  
KR 30-0426073 9/2006

\* cited by examiner

*Primary Examiner*—Raphael Barkai

(74) *Attorney, Agent, or Firm*—Banner & Witcoff, Ltd.

(57) **CLAIM**

The ornamental design for a television receiver, as shown and described.

**DESCRIPTION**

FIG. 1 is a top, front and right side perspective view of a television receiver showing my new design,

FIG. 2 is a front elevational view thereof,

FIG. 3 is a top plan view thereof,

FIG. 4 is a right side elevational view thereof, a left side elevational view being a mirror image

FIG. 5 is a bottom plan view thereof; and,

FIG. 6 is a rear elevational view thereof.

**1 Claim, 3 Drawing Sheets**

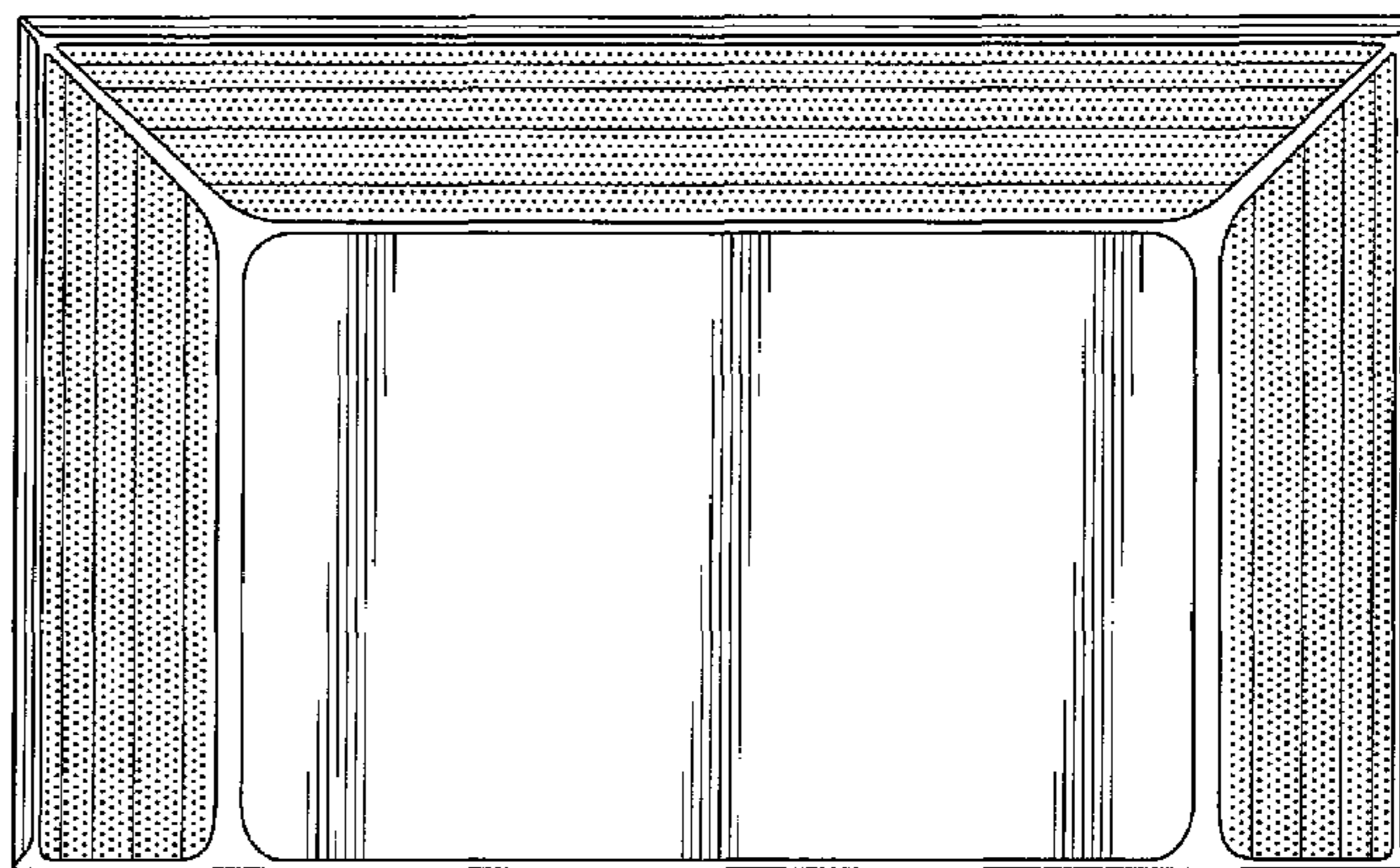
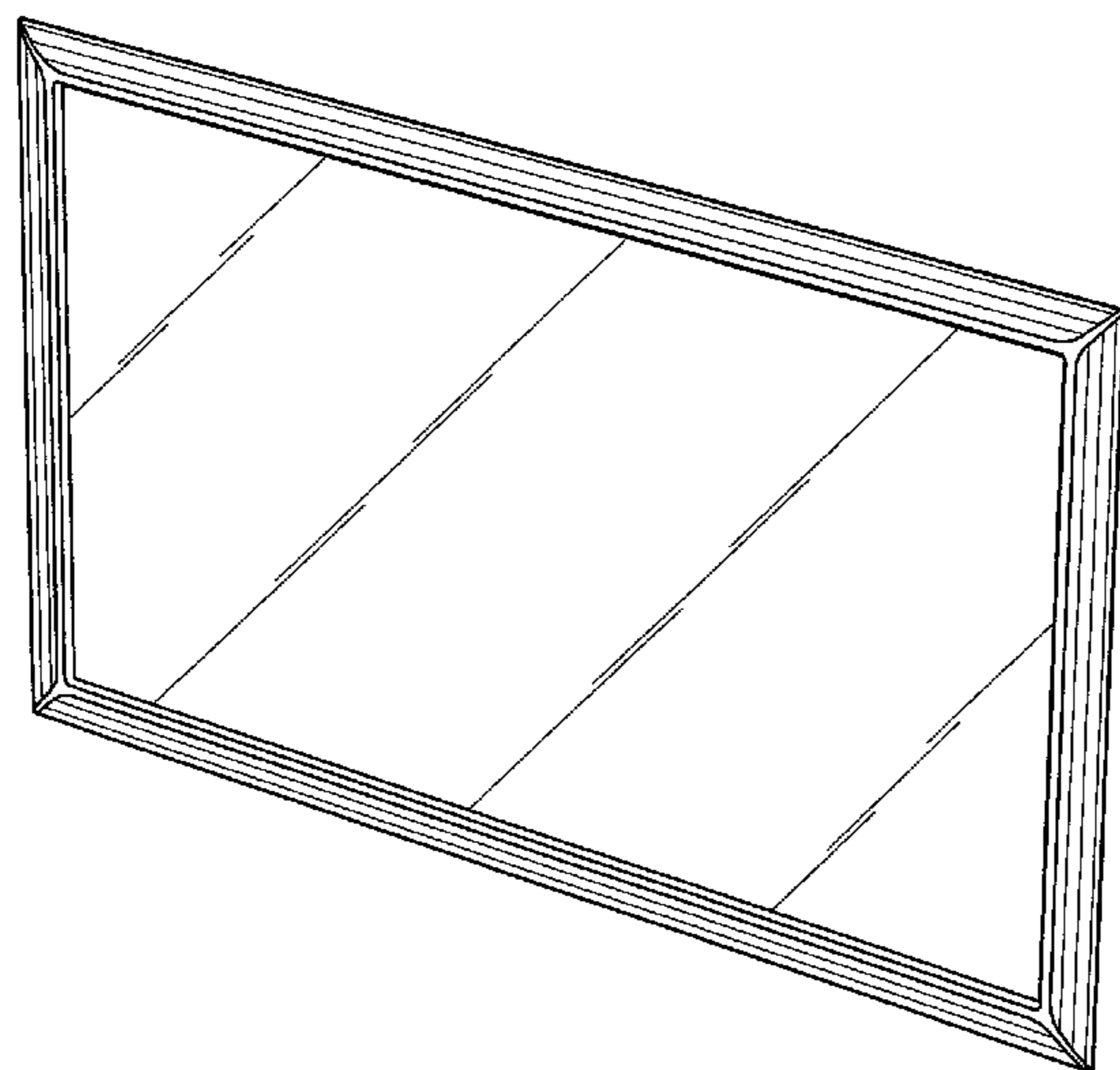


FIG. 1

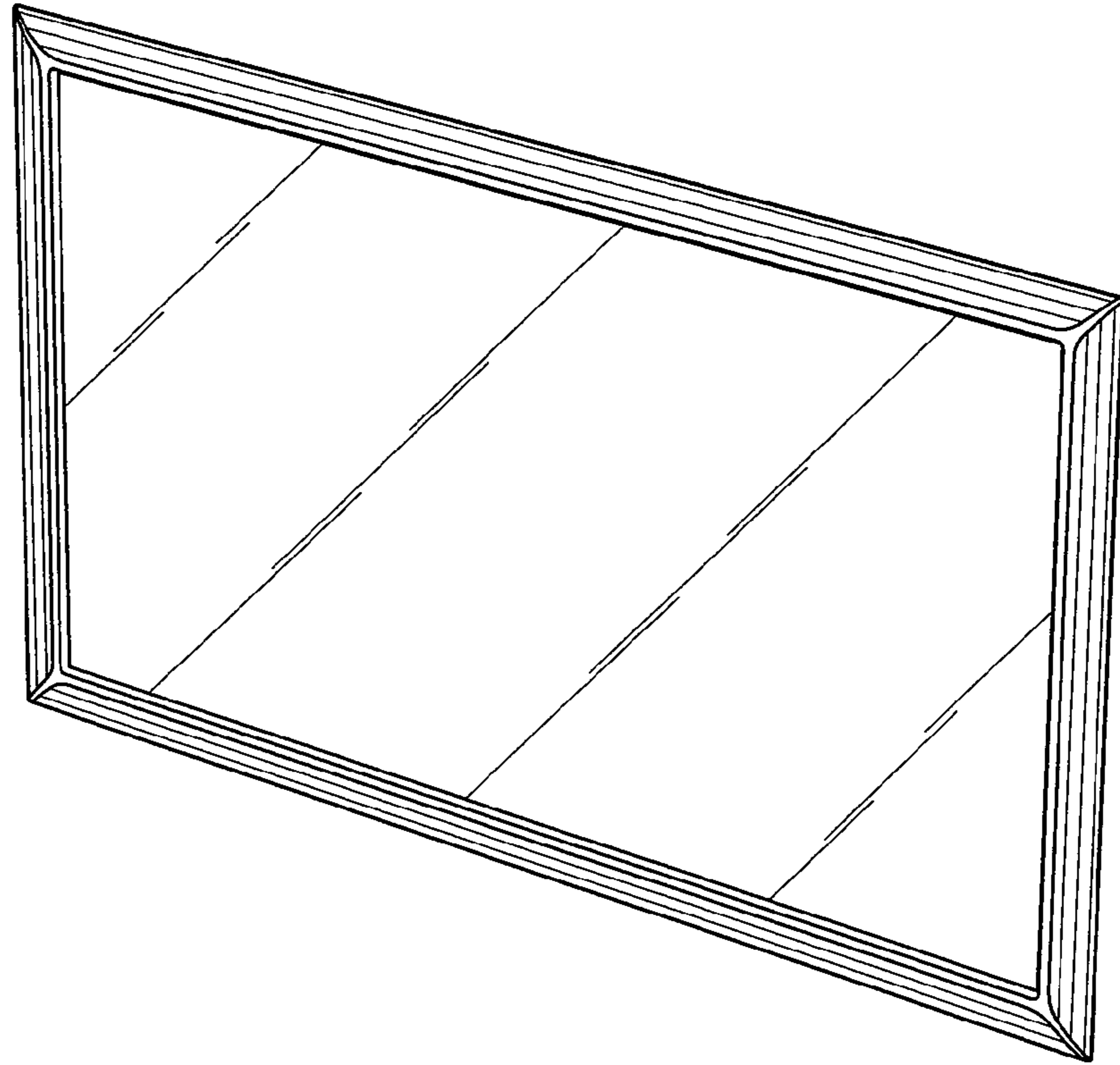


FIG. 2

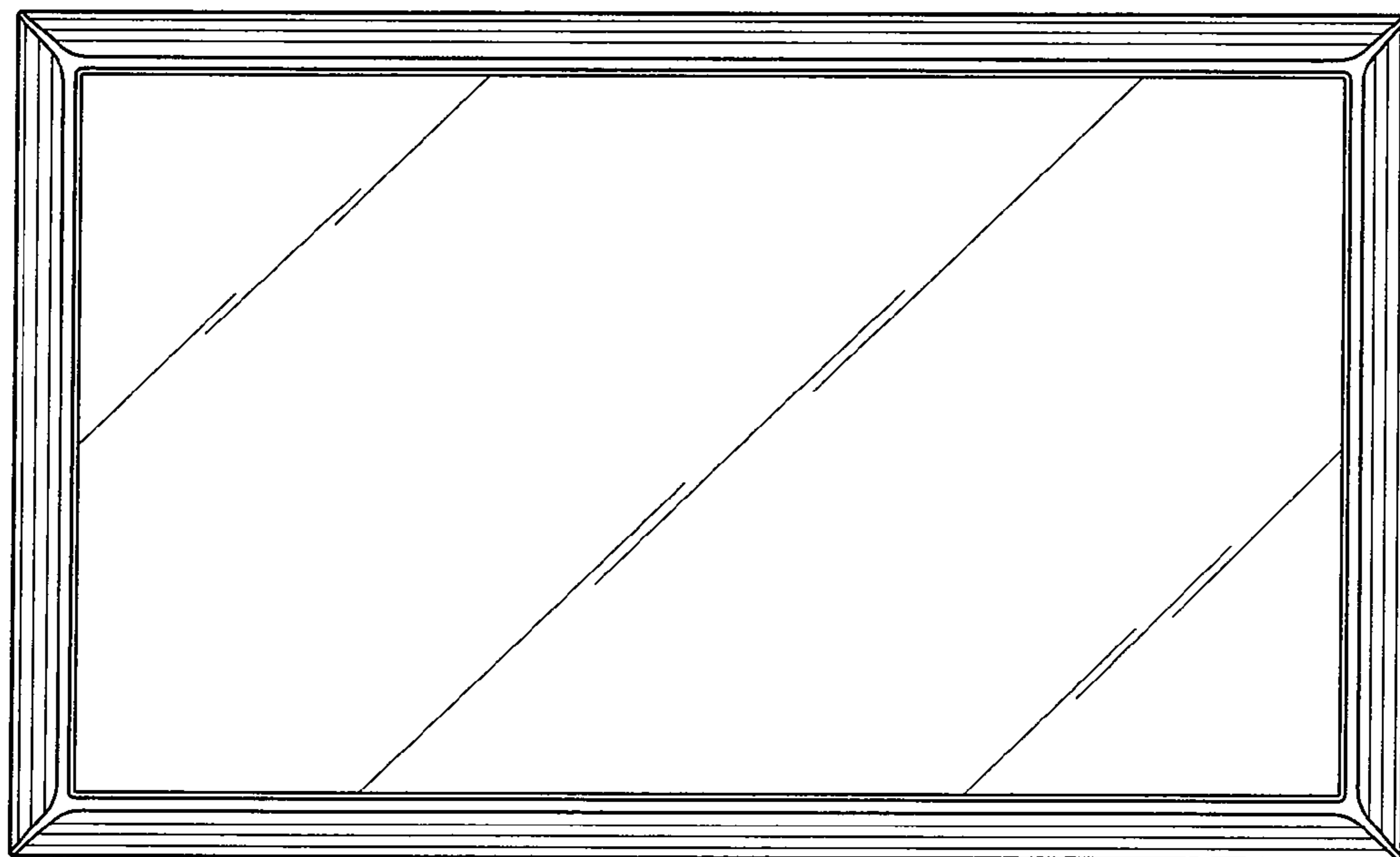


FIG. 3



FIG. 4

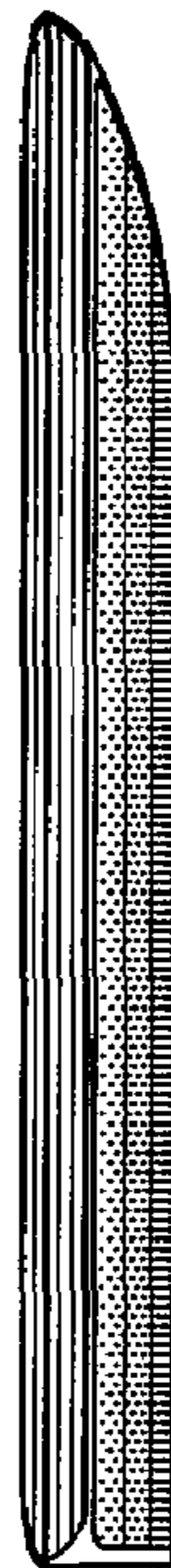


FIG. 5

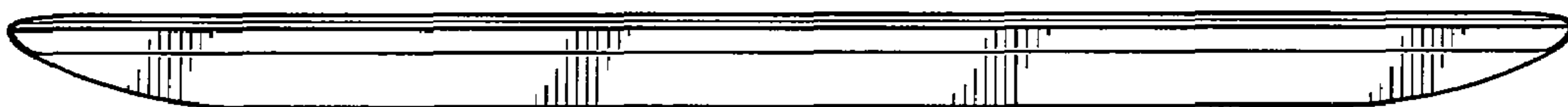


FIG. 6

