



US00D605145S

(12) **United States Design Patent**
Kellar

(10) **Patent No.:** **US D605,145 S**

(45) **Date of Patent:** **** Dec. 1, 2009**

(54) **VIDEOCONFERENCING DEVICE**
(75) Inventor: **Kevin P. Kellar**, Austin, TX (US)
(73) Assignee: **LifeSize Communications, Inc.**, Austin, TX (US)
(**) Term: **14 Years**
(21) Appl. No.: **29/334,487**
(22) Filed: **Mar. 27, 2009**

D542,784 S * 5/2007 Franck et al. D14/240
D569,354 S 5/2008 Kellar
D577,693 S * 9/2008 King et al. D14/125
D579,931 S * 11/2008 Chang D14/358
D580,435 S * 11/2008 Huang et al. D14/356
D583,366 S * 12/2008 Chen D14/240
D583,367 S * 12/2008 Chen D14/240
D585,395 S * 1/2009 Cho et al. D14/125
D592,619 S * 5/2009 Woo et al. D14/125
D592,661 S * 5/2009 Woo et al. D14/358
D593,972 S * 6/2009 Cho et al. D14/125
2006/0132595 A1 6/2006 Kenoyer et al.

* cited by examiner

(51) **LOC (9) Cl.** **14-03**
(52) **U.S. Cl.** **D14/125**
(58) **Field of Classification Search** D14/125-134,
D14/239, 371, 136, 374-377; 312/7.2; 348/836,
348/838, 180, 184, 325, 739; 341/12; 248/917-924,
248/465, 123.11; 345/104, 133, 156, 168,
345/87, 173, 169; 349/1, 2, 11, 62; 720/605,
720/669, 600, 655, 99, 197; 455/344-347
See application file for complete search history.

Primary Examiner—Raphael Barkai
Assistant Examiner—Randall H Gholson
(74) *Attorney, Agent, or Firm*—Meyertons Hood Kivlin
Kowert & Goetzel, P.C.; Jeffrey C. Hood

(57) **CLAIM**

The ornamental design for a videoconferencing device, as shown and described.

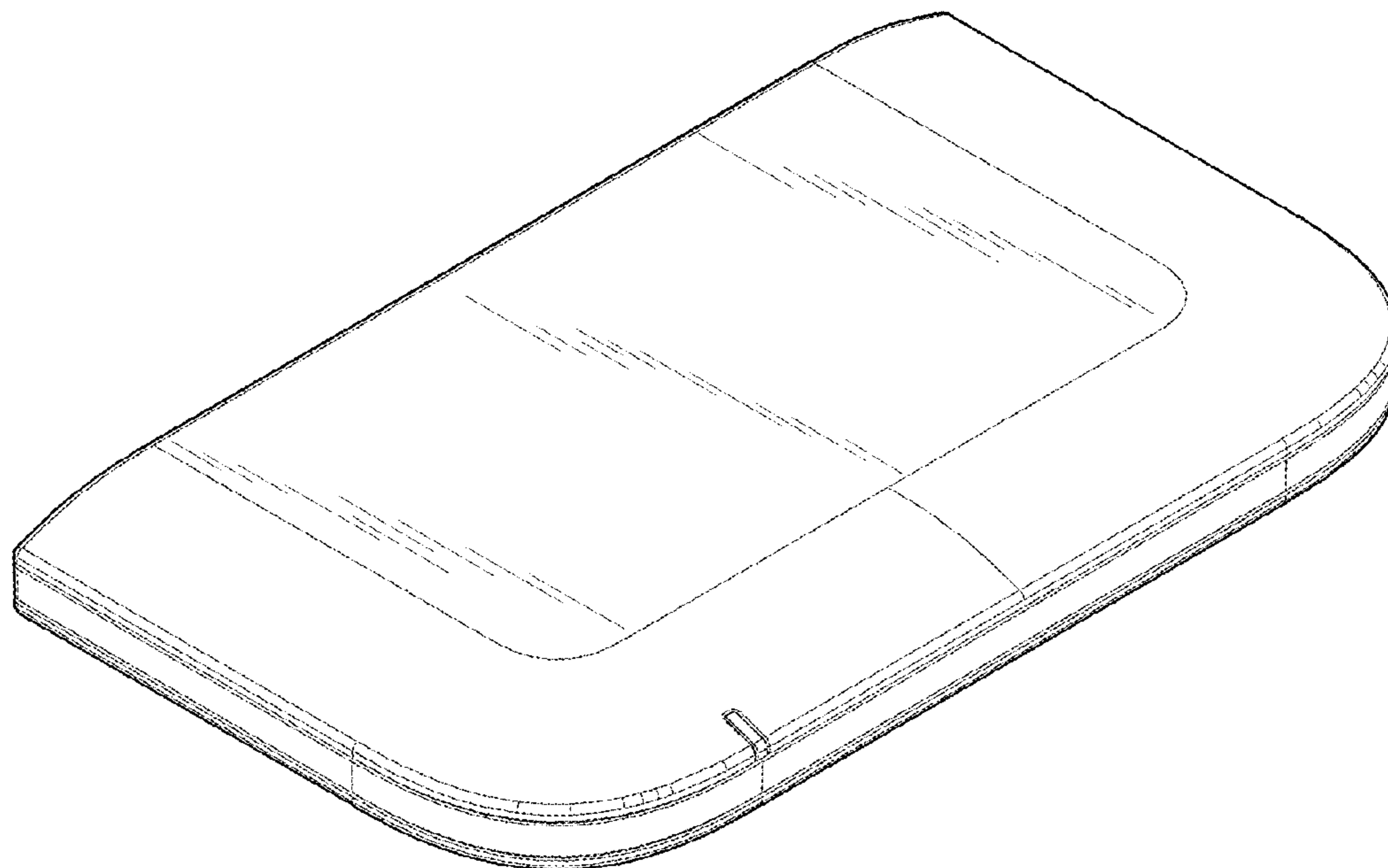
(56) **References Cited**
U.S. PATENT DOCUMENTS

D316,849 S 5/1991 Houghton
D335,489 S 5/1993 Sander
D390,201 S 2/1998 Murphy
D425,866 S 5/2000 Nagasawa et al.
D432,125 S 10/2000 Masuda et al.
D433,381 S 11/2000 Talesfore
D464,340 S 10/2002 Schmidt
D471,882 S 3/2003 Lan
D513,240 S 12/2005 Uehara
D524,286 S * 7/2006 Sogabe D14/168
D528,080 S * 9/2006 Wells D14/125
D540,753 S 4/2007 Lukic et al.

DESCRIPTION

FIG. 1 is a front-left-top perspective view thereof;
FIG. 2 is back-left-bottom perspective view thereof;
FIG. 3 is a top view thereof;
FIG. 4 is a bottom view thereof;
FIG. 5 is a front view thereof.
FIG. 6 is a back view thereof;
FIG. 7 is a left view thereof; and,
FIG. 8 is a right view thereof.

1 Claim, 4 Drawing Sheets



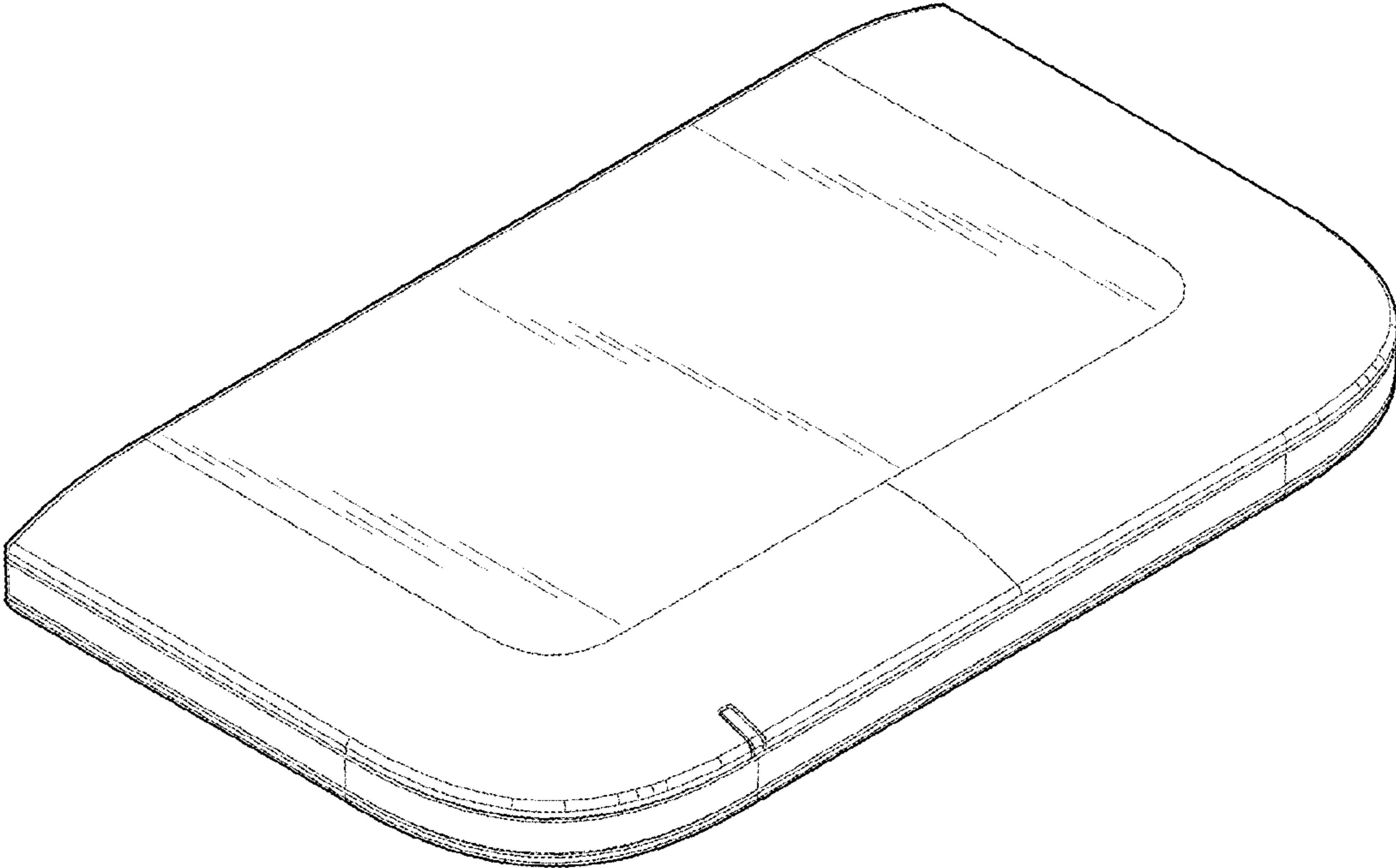


FIG. 1

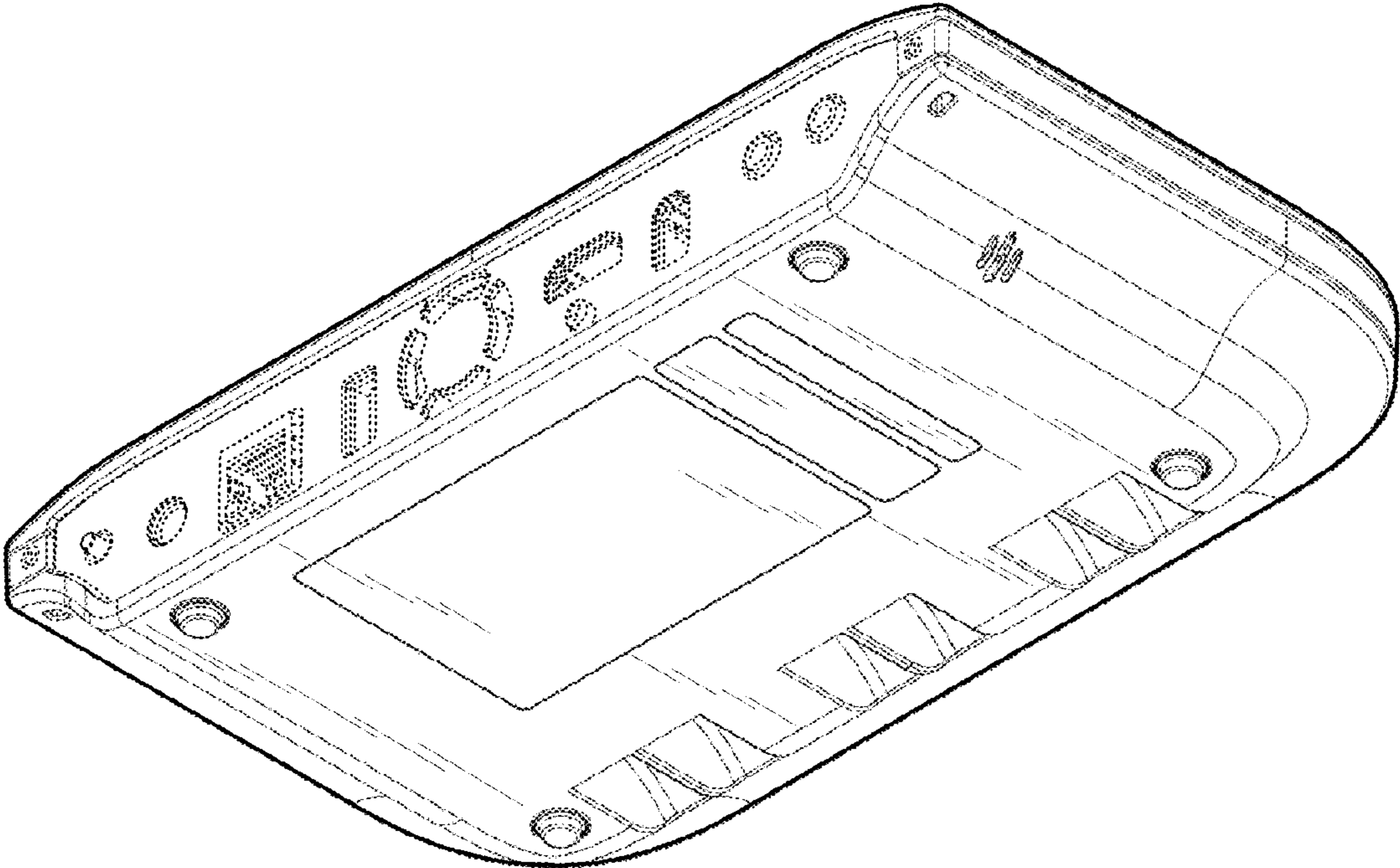


FIG. 2

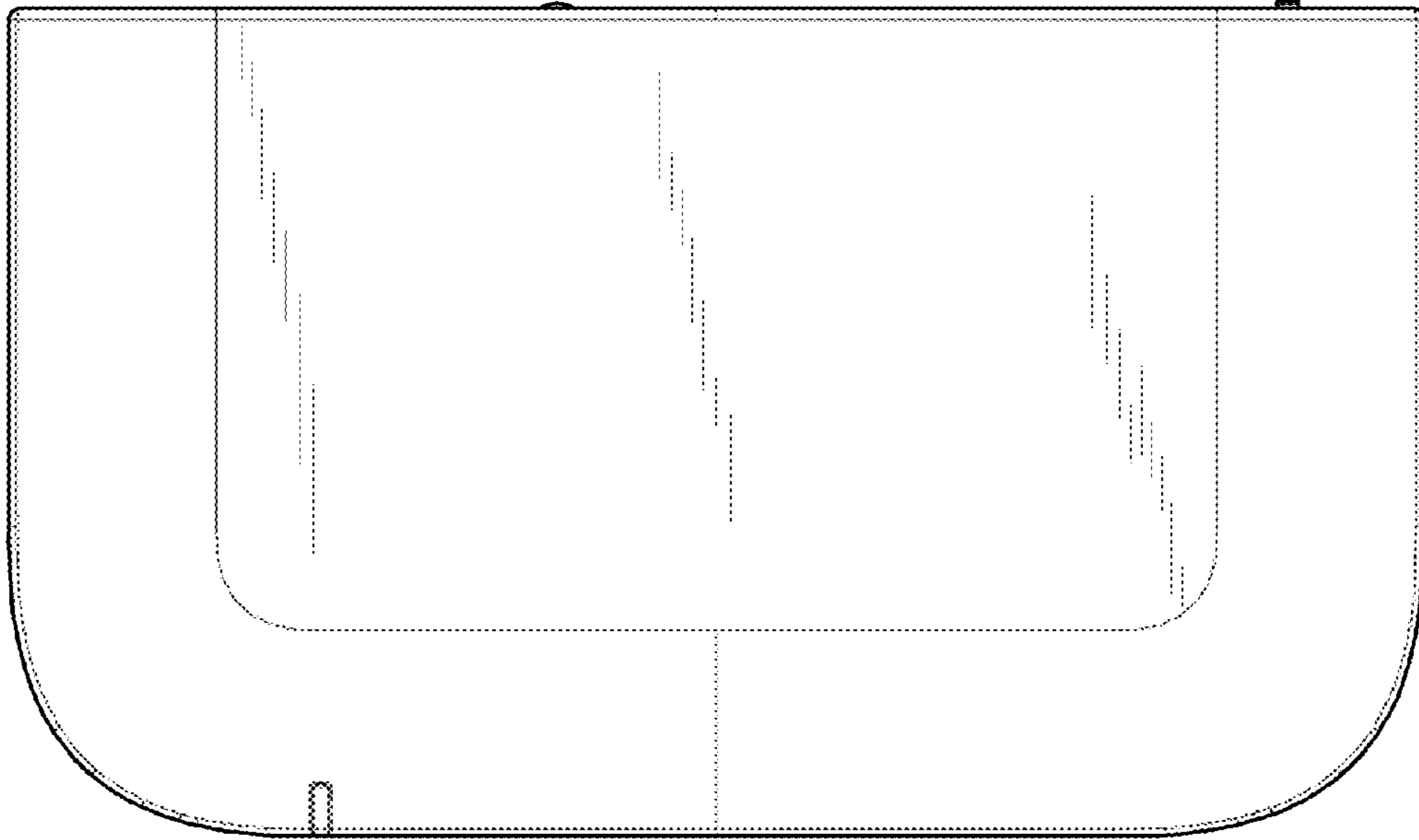


FIG. 3

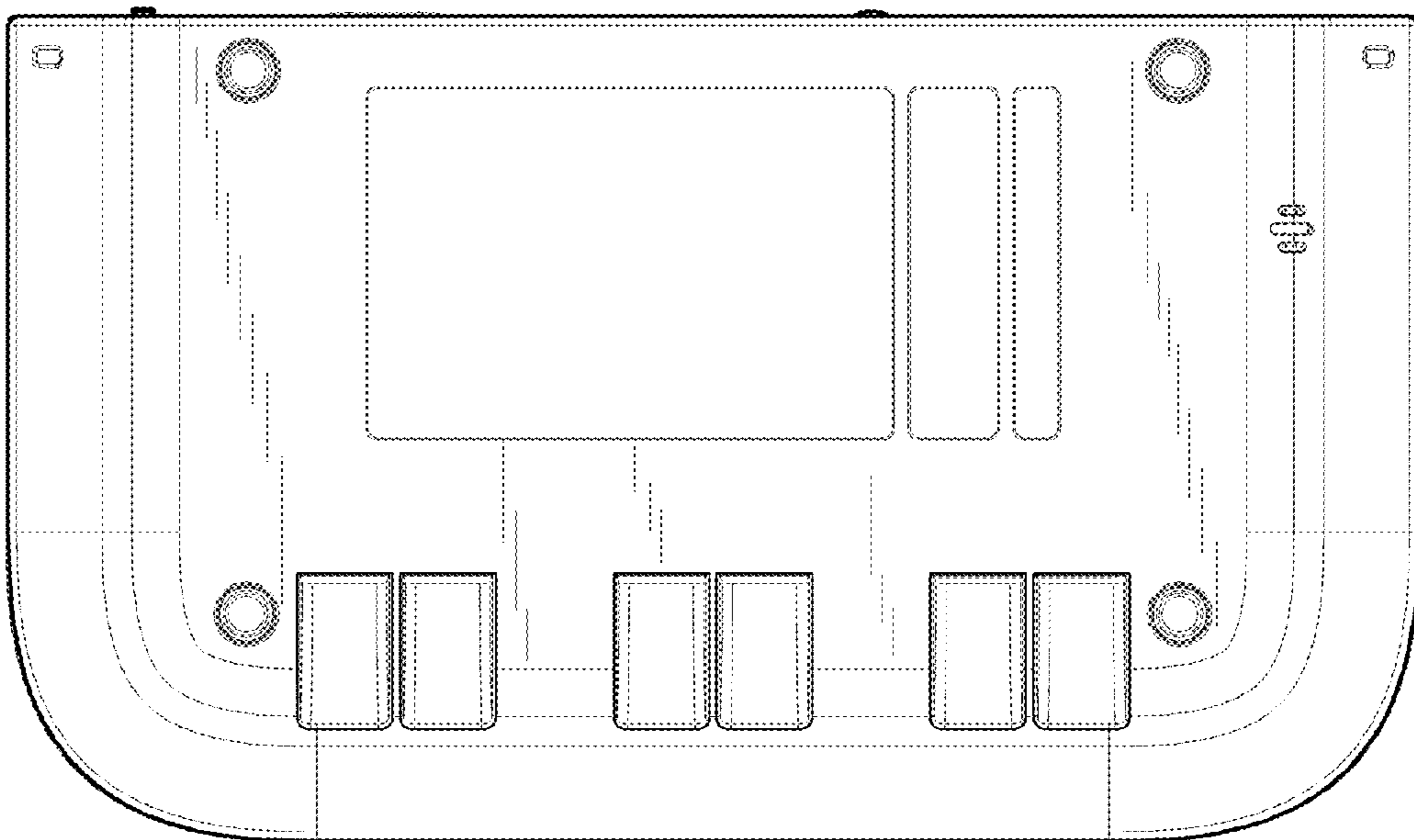


FIG. 4

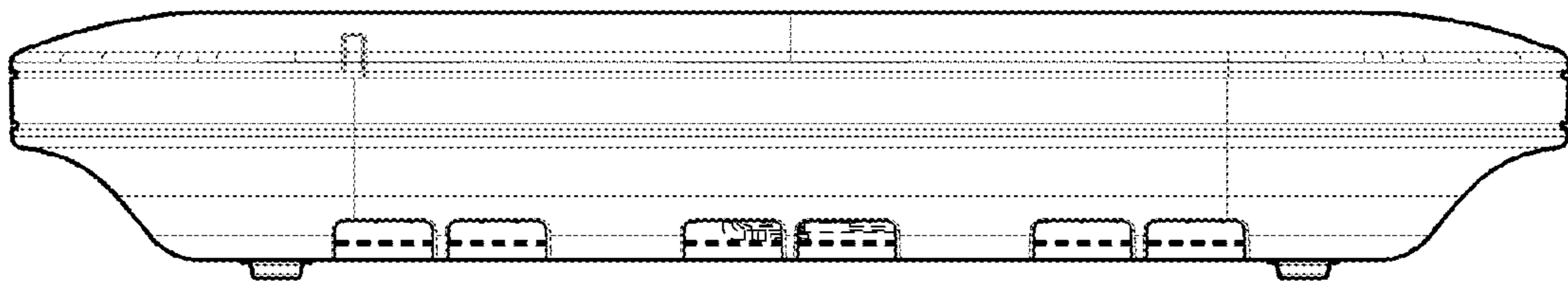


FIG. 5

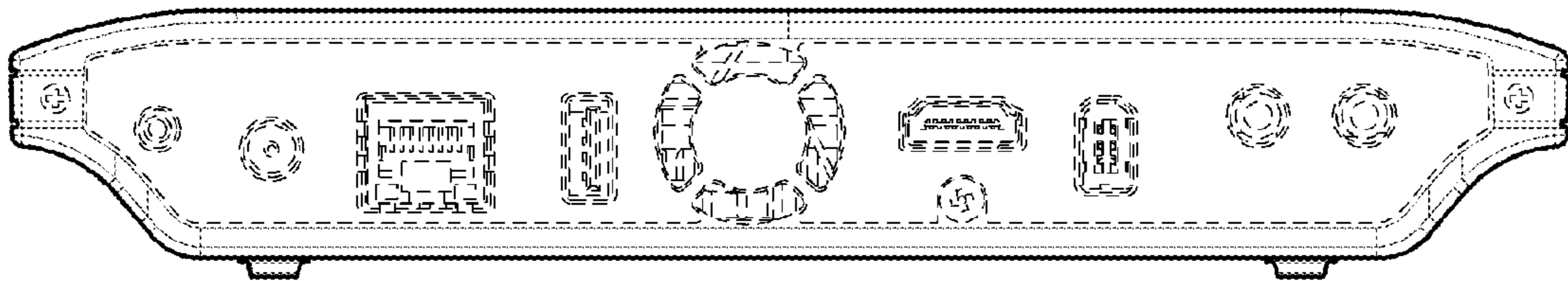


FIG. 6

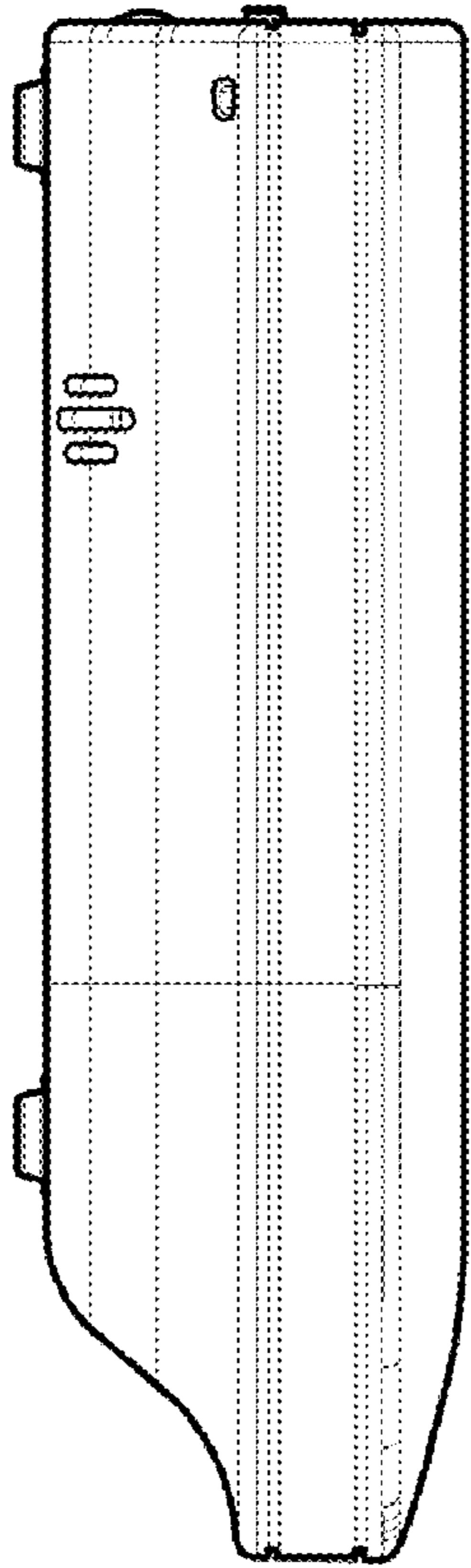


FIG. 7

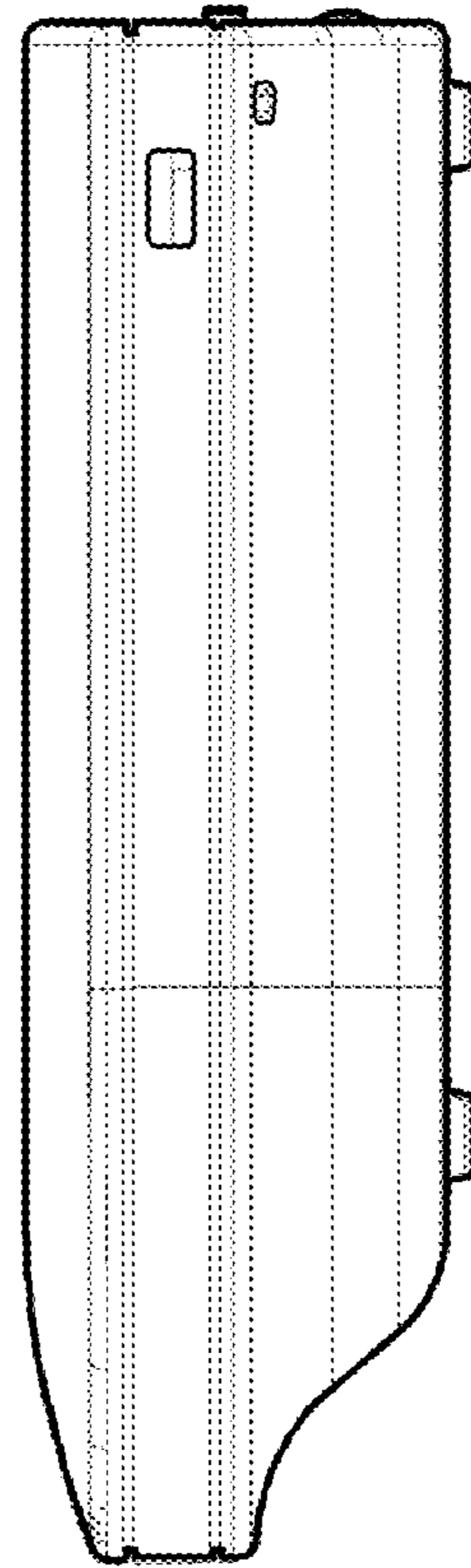


FIG. 8