



US00D605142S

(12) **United States Design Patent**
Chuang

(10) **Patent No.:** **US D605,142 S**

(45) **Date of Patent:** **** Dec. 1, 2009**

(54) **LIGHT EMITTING DIODE ILLUMINATION CELL**

Primary Examiner—Marcus A Jackson

(74) *Attorney, Agent, or Firm*—Rosenberg, Klein & Lee

(75) **Inventor:** **Shih-Tai Chuang**, Taipei (TW)

(57) **CLAIM**

(73) **Assignee:** **Edison Opto Corporation**, Taipei Hsien (TW)

The ornamental design for a light emitting diode illumination cell, as shown and described.

(**) **Term:** **14 Years**

(21) **Appl. No.:** **29/335,918**

DESCRIPTION

(22) **Filed:** **Apr. 24, 2009**

(51) **LOC (9) Cl.** **13-03**

(52) **U.S. Cl.** **D13/180**

(58) **Field of Classification Search** D26/1-4;
D13/180; 257/79-81, 88-89, 95-99, 100;
313/483, 498, 500; 362/555, 800

See application file for complete search history.

FIG. 1 is a perspective view of a light emitting diode illumination cell showing our new design;

FIG. 2 is a front elevational view thereof;

FIG. 3 is a rear elevational view thereof;

FIG. 4 is a left side elevational view thereof;

FIG. 5 is a right side elevational view thereof;

FIG. 6 is a bottom side elevational view thereof;

FIG. 7 is a top side elevational view thereof; and,

FIG. 8 is an other perspective view of a light emitting diode illumination cell of the invention.

The broken lines in the Figures are for illustrative purposes only and form no part of the claimed design.

(56) **References Cited**

U.S. PATENT DOCUMENTS

D522,469 S * 6/2006 Suenaga D13/180

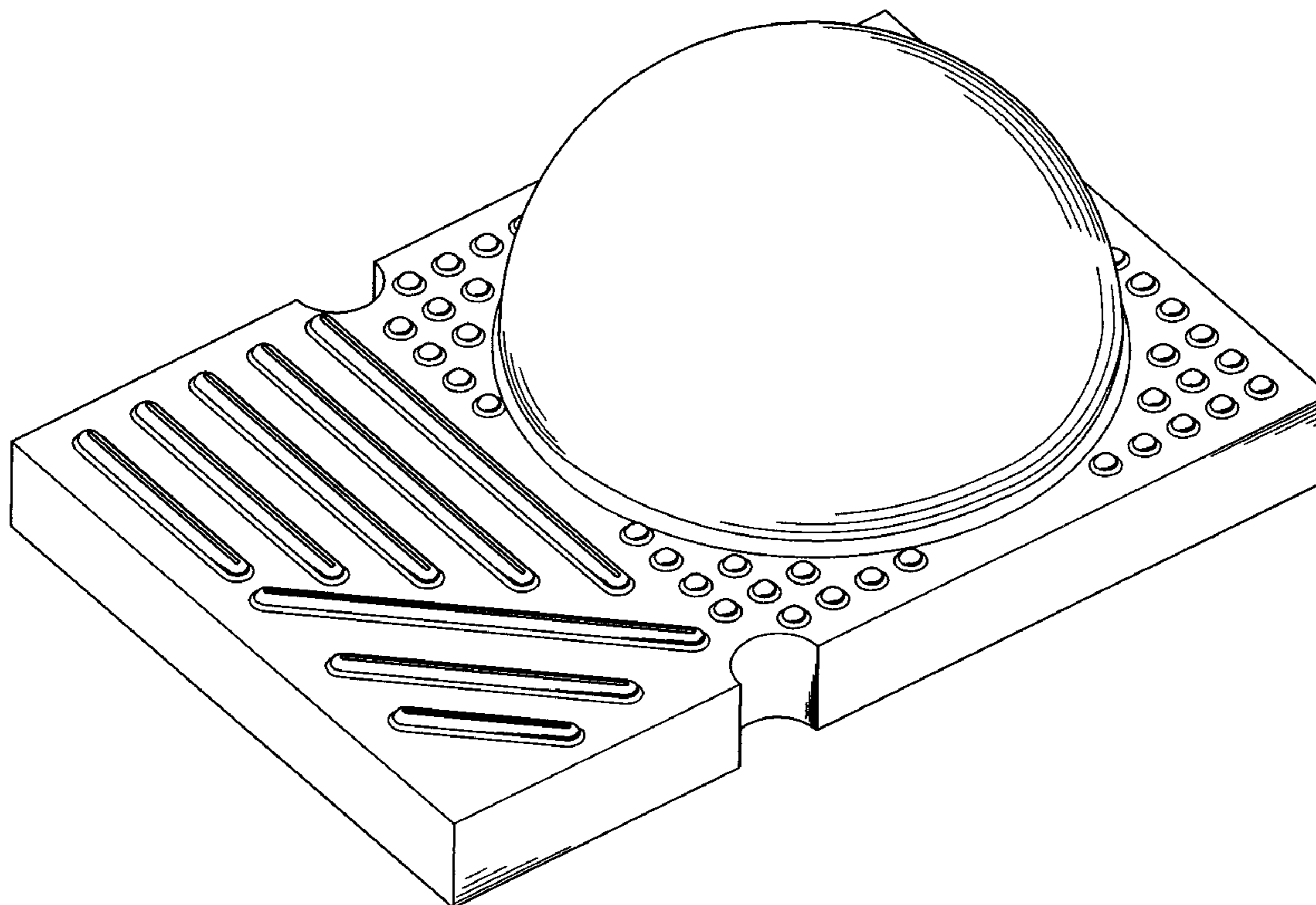
D542,743 S * 5/2007 Jung et al. D13/180

D555,111 S * 11/2007 Yen D13/180

D576,574 S * 9/2008 Kobayakawa D13/180

* cited by examiner

1 Claim, 8 Drawing Sheets



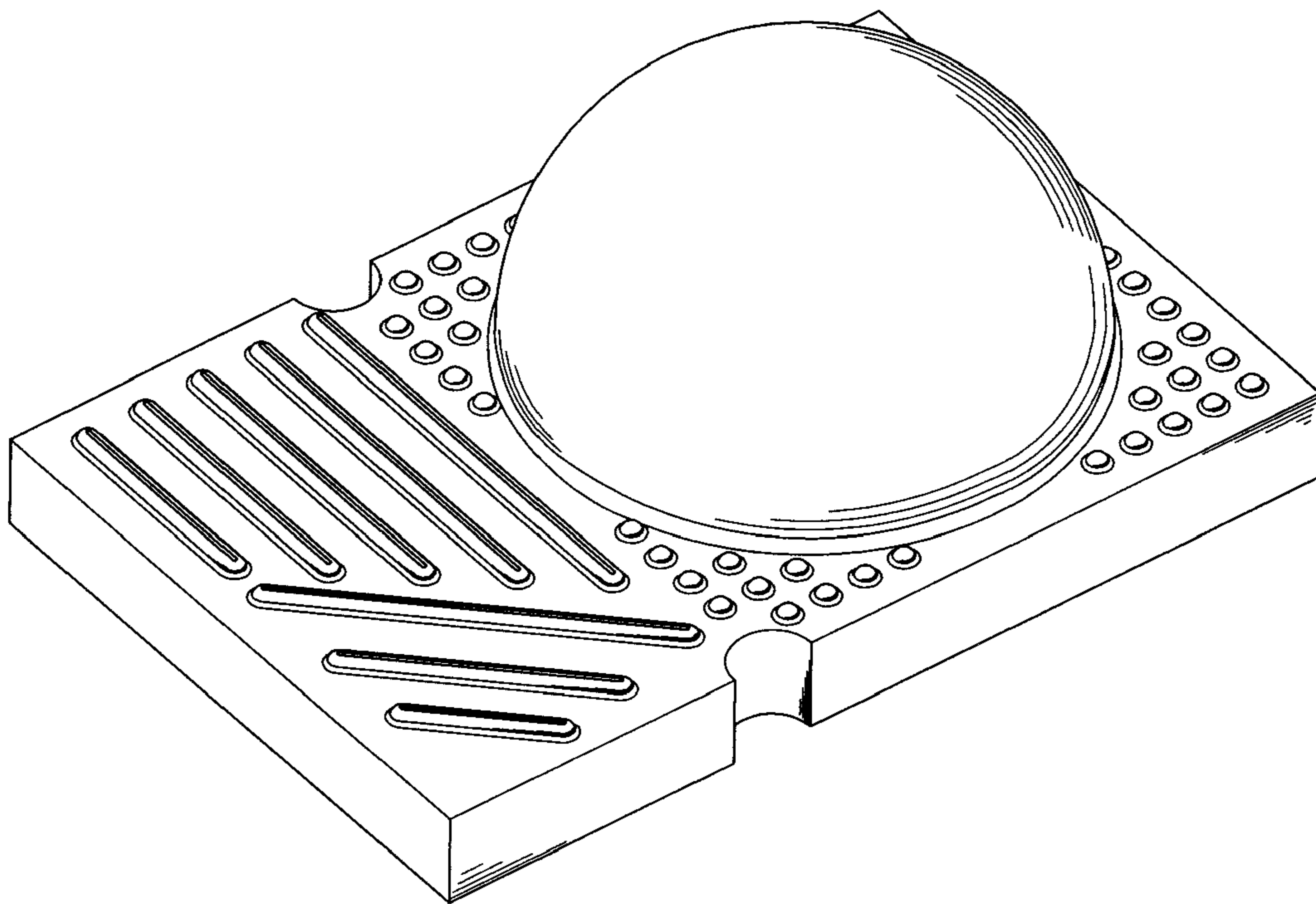


FIG. 1

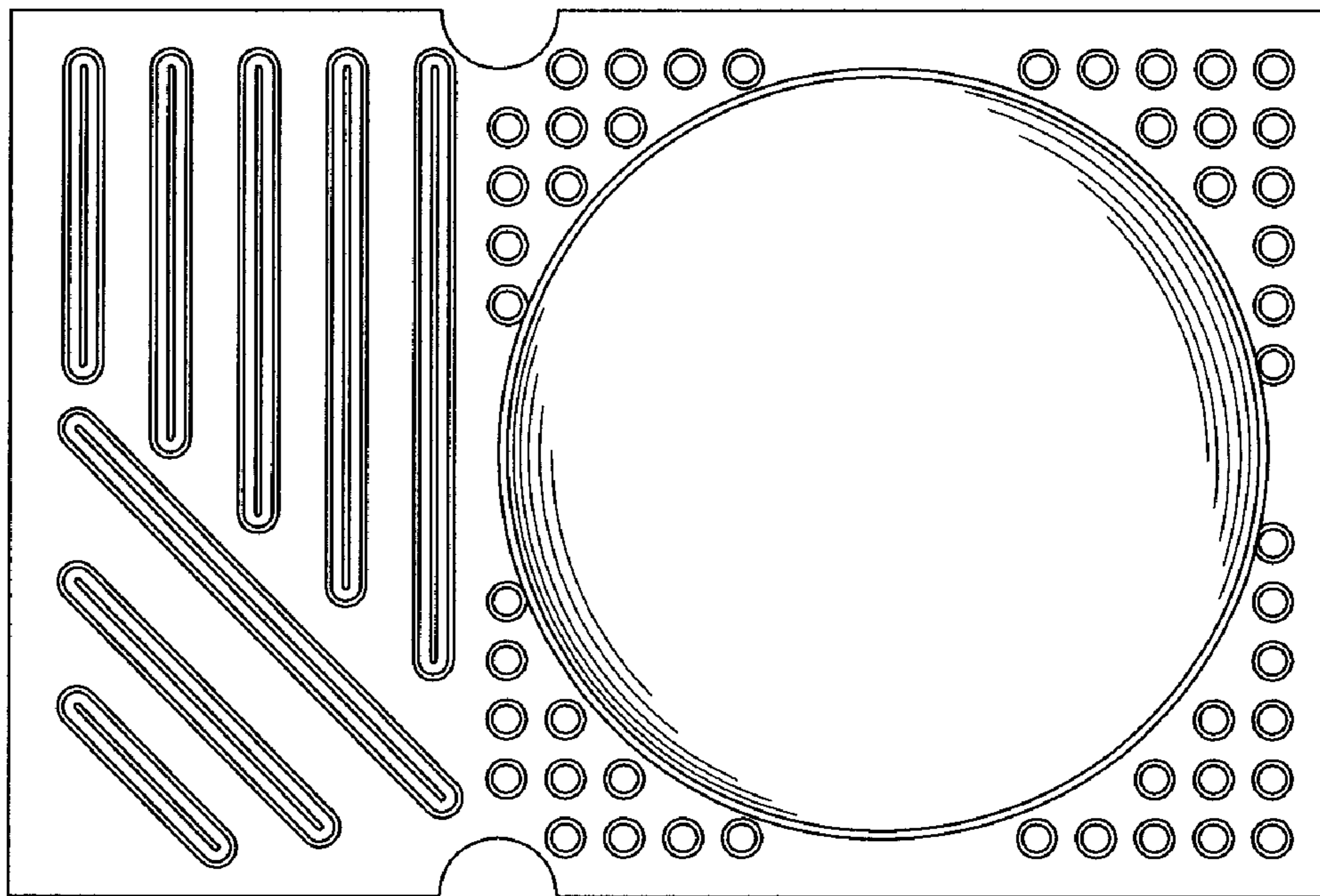


FIG.2

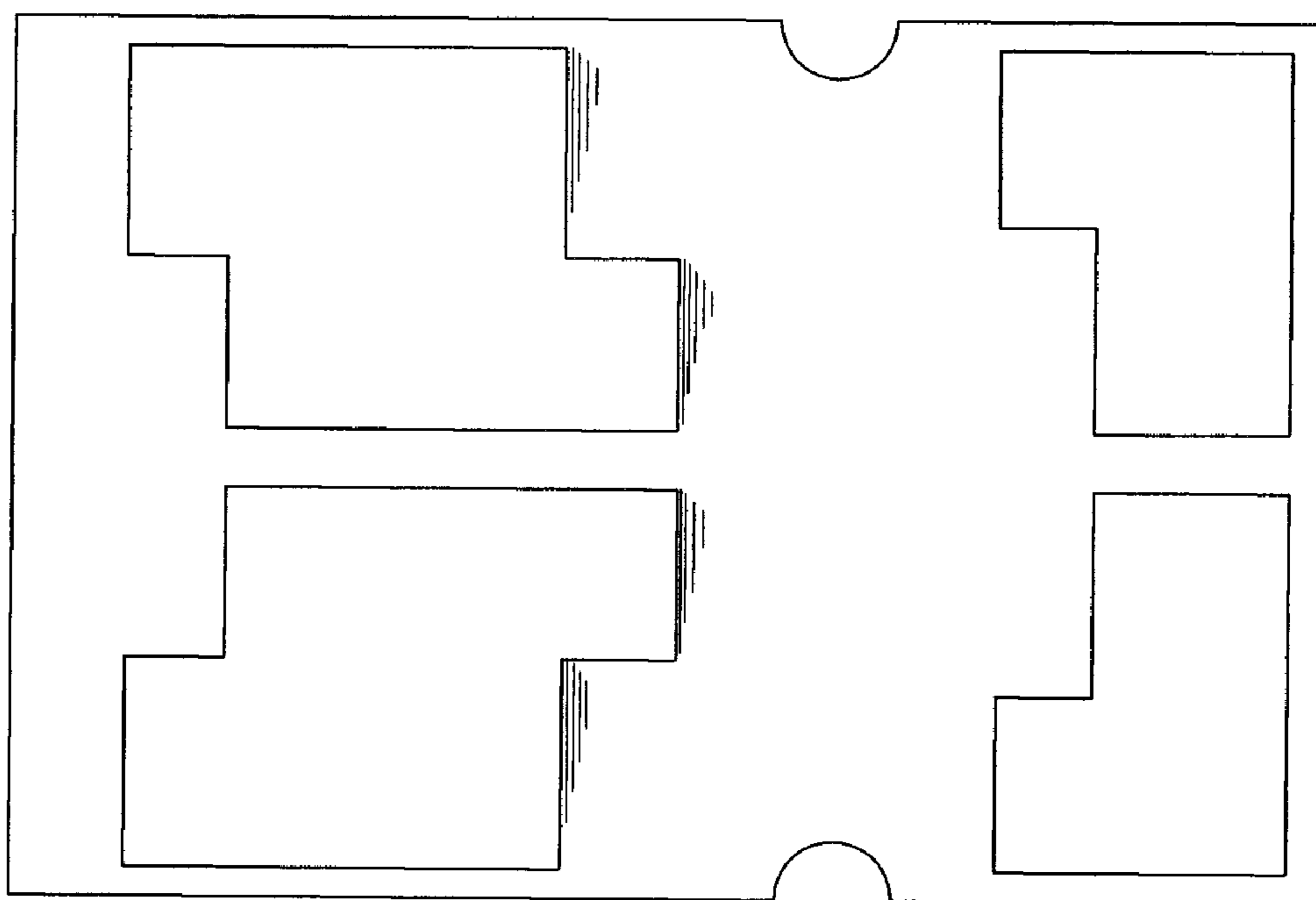


FIG. 3

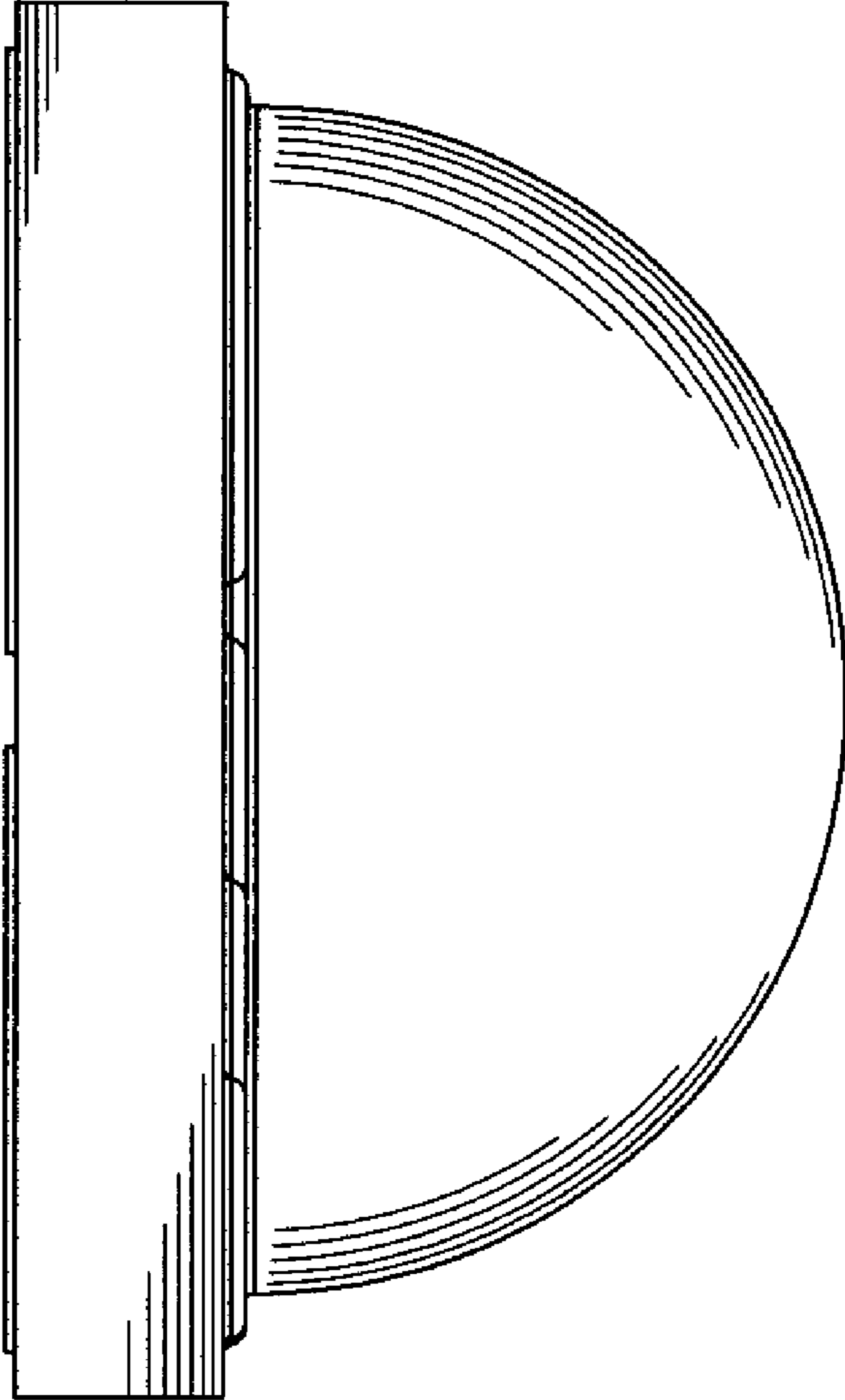


FIG.4

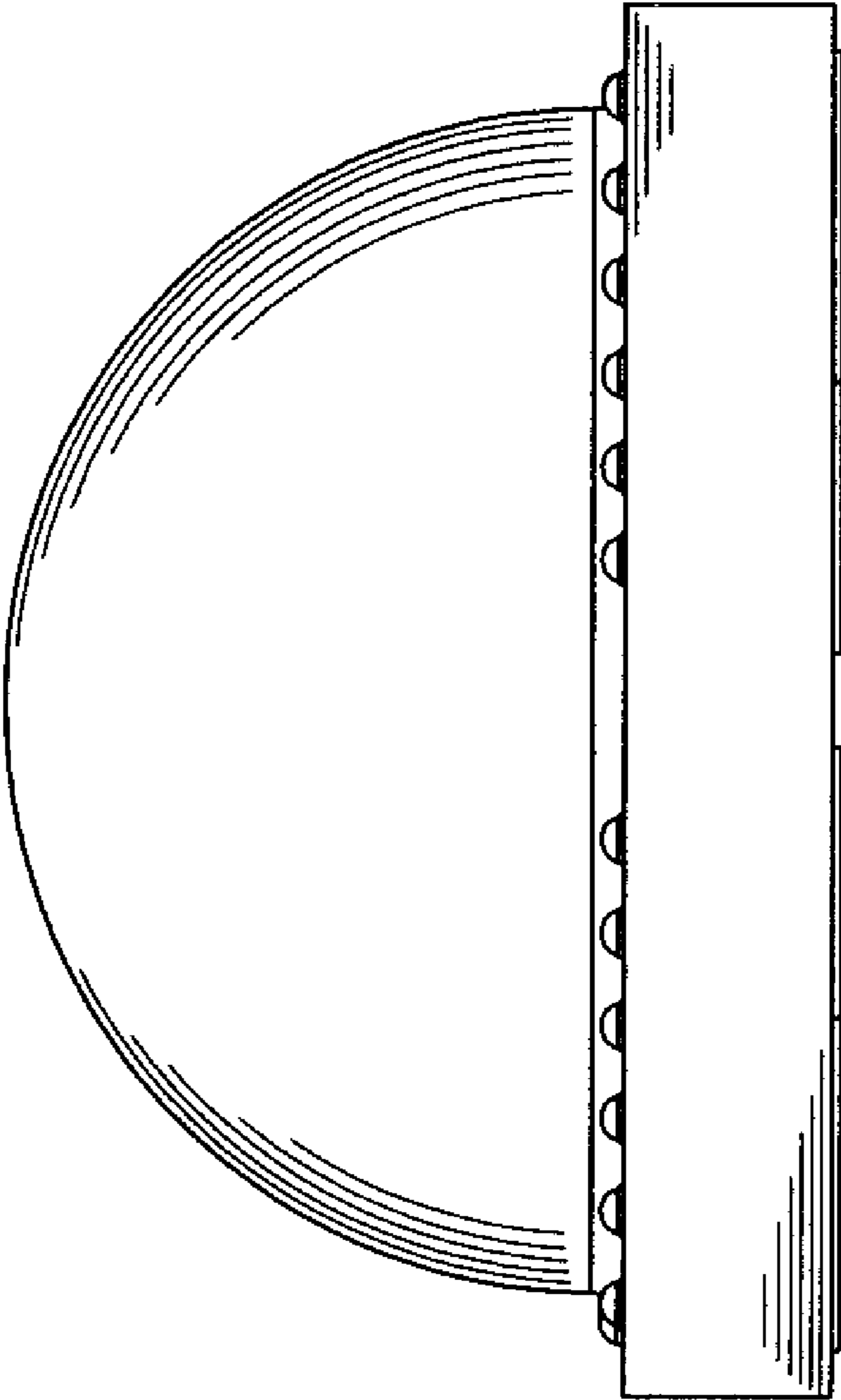


FIG. 5

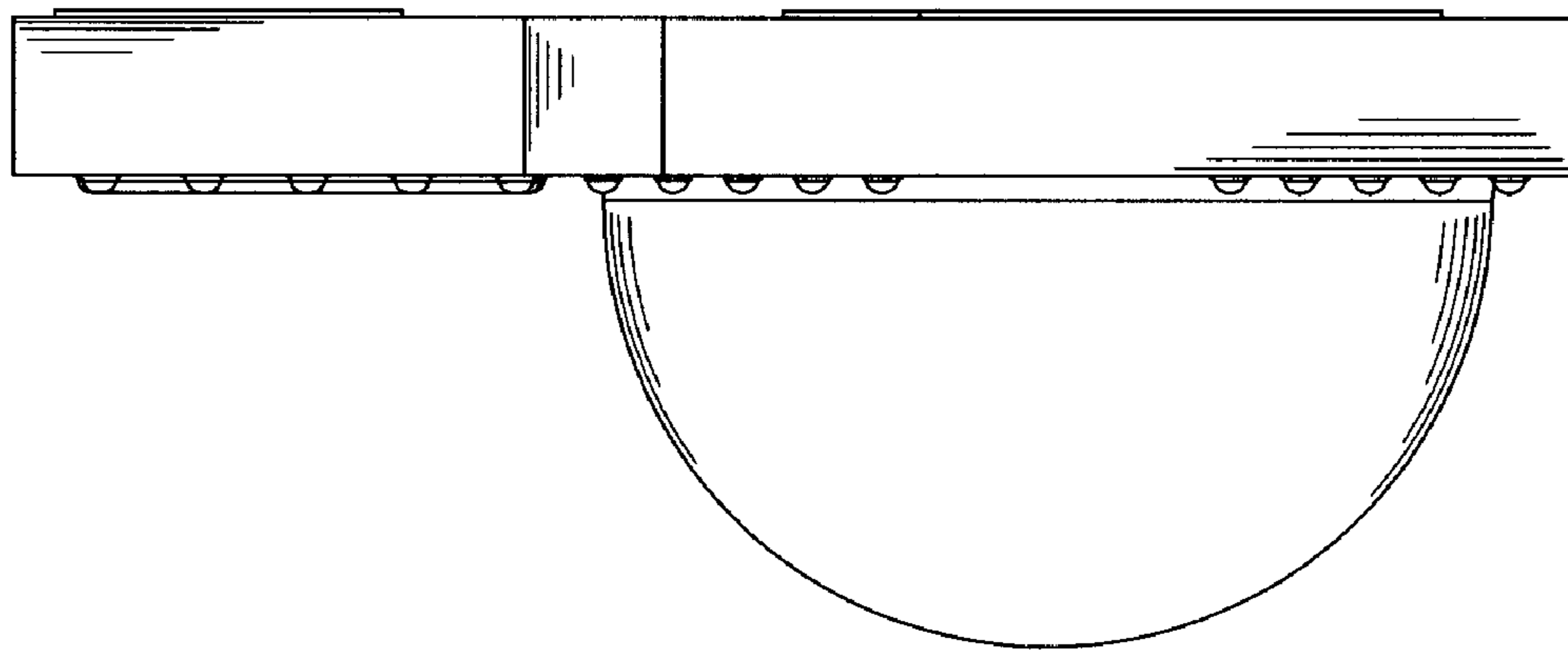


FIG.6

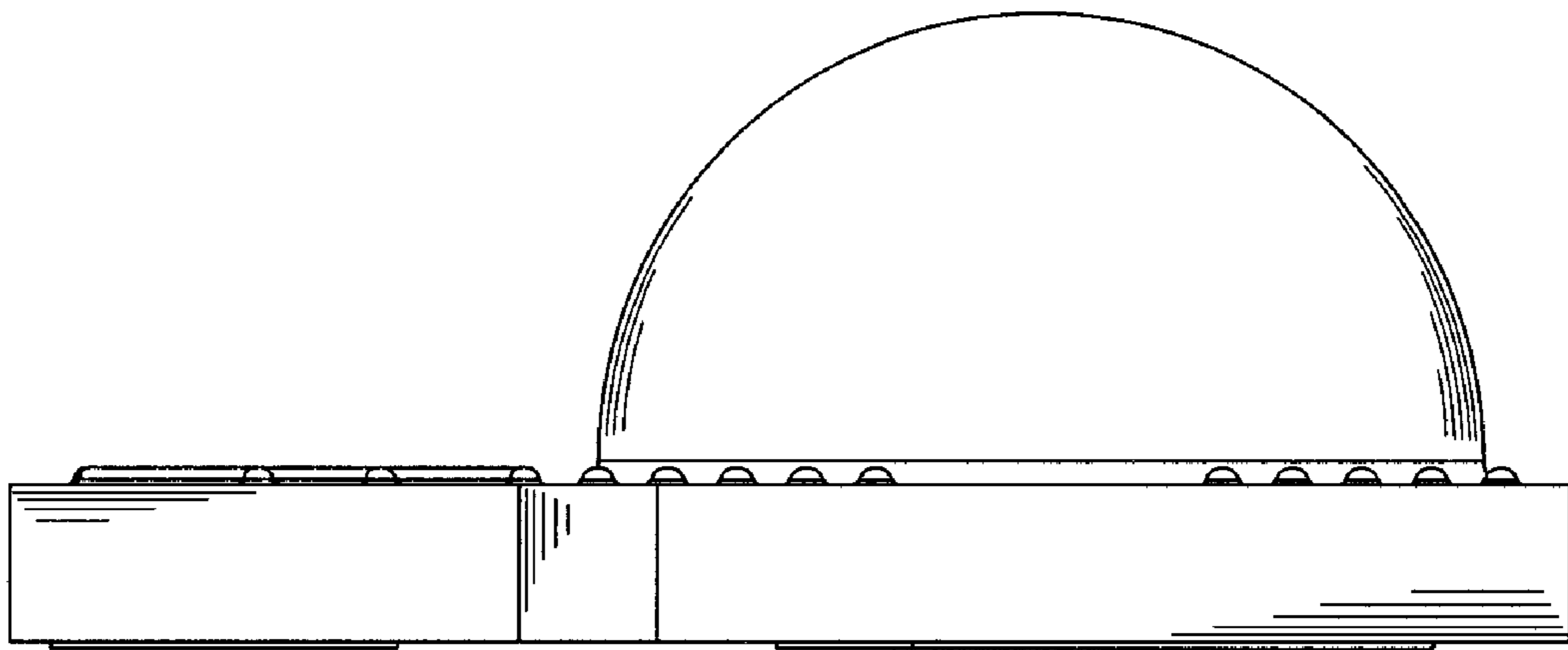


FIG. 7

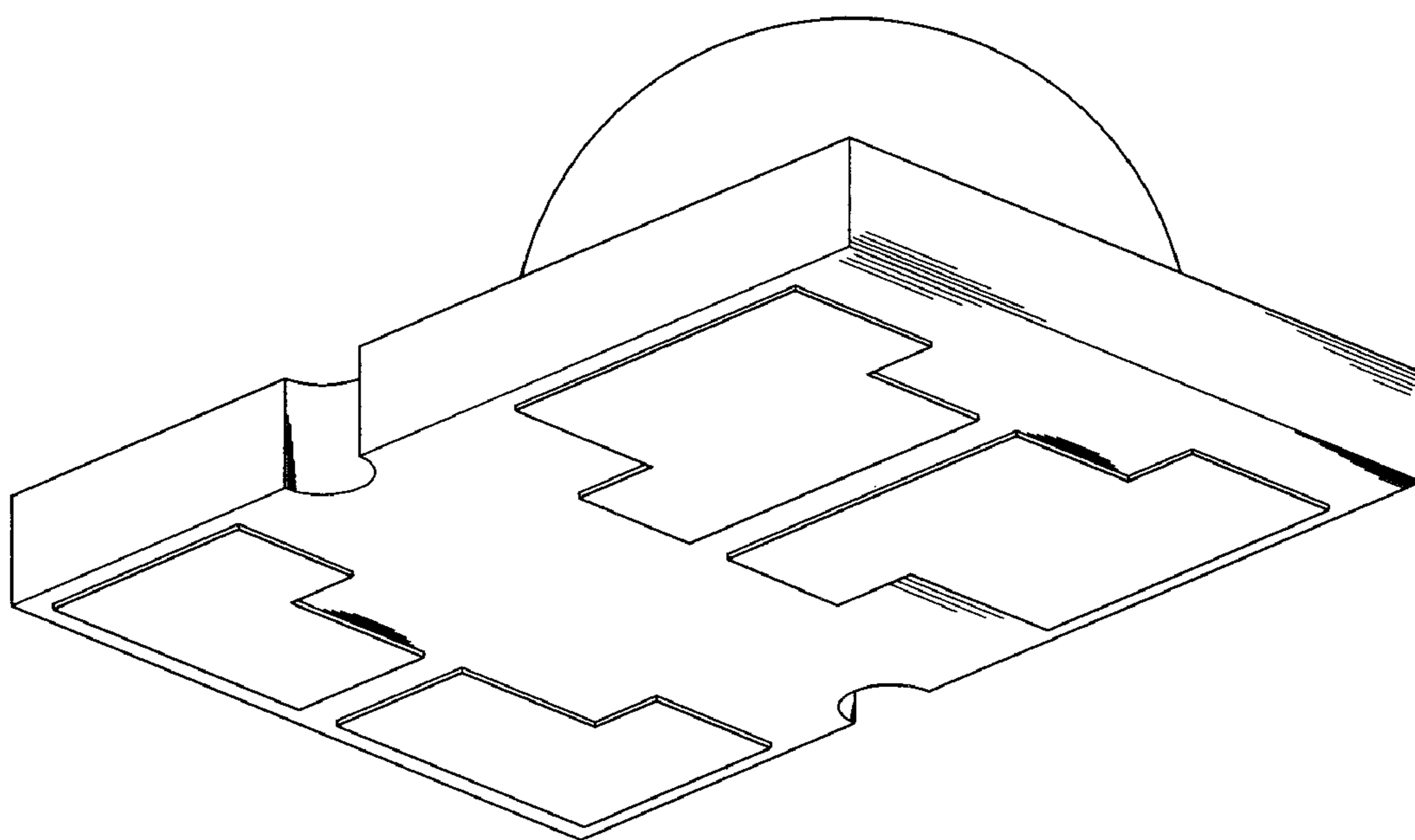


FIG.8