



US00D605141S

(12) **United States Design Patent**  
**Jones**

(10) **Patent No.:** **US D605,141 S**  
(45) **Date of Patent:** **\*\* Dec. 1, 2009**

(54) **PASSIVE HEAT SINK STAND FOR ELECTRONIC DEVICES**

(76) Inventor: **Kenneth Allen Jones**, 1501 Marigold Ave., McAllen, TX (US) 78501

(\*\*) Term: **14 Years**

(21) Appl. No.: **29/312,378**

(22) Filed: **Oct. 17, 2008**

(51) **LOC (9) Cl.** ..... **13-03**

(52) **U.S. Cl.** ..... **D13/179**

(58) **Field of Classification Search** ..... D13/179;  
165/80.3, 104.21, 104.26, 104.33, 151, 122,  
165/185; 257/706, 707, 718-722; 361/687,  
361/695, 697, 700, 702, 704, 709, 710, 711,  
361/719; D14/439, 447

See application file for complete search history.

(56) **References Cited**

**U.S. PATENT DOCUMENTS**

D348,252	S *	6/1994	Mizunashi et al.	.....	D13/179
D478,055	S *	8/2003	Jing et al.	.....	D13/179
6,651,733	B1 *	11/2003	Hornig et al.	.....	165/80.3
D485,535	S *	1/2004	Niwatsukino et al.	.....	D13/179
6,719,040	B2 *	4/2004	Sugito et al.	.....	165/104.21
6,863,117	B2 *	3/2005	Valenzuela	.....	165/104.26
7,028,754	B2 *	4/2006	Boudreaux	.....	165/80.3
D543,953	S *	6/2007	Dugas et al.	.....	D13/179
D554,135	S	10/2007	Lim et al.		
D555,162	S	11/2007	Park et al.		
D571,815	S	6/2008	Chung		
D586,763	S *	2/2009	Hua et al.	.....	D13/179
2002/0088609	A1 *	7/2002	Tantoush	.....	165/104.33
2002/0186531	A1 *	12/2002	Pokharna et al.	.....	361/687
2002/0189794	A1 *	12/2002	Mueller	.....	165/104.33
2003/0189829	A1 *	10/2003	Shimizu et al.	.....	362/240
2003/0205369	A1 *	11/2003	Liu et al.	.....	165/185

2004/0069462	A1 *	4/2004	Hashimoto	.....	165/104.26
2005/0178532	A1 *	8/2005	Meng-Cheng et al.	..	165/104.33
2006/0118278	A1 *	6/2006	Koga et al.	.....	165/104.28
2006/0118280	A1 *	6/2006	Liu	.....	165/104.33
2008/0093053	A1 *	4/2008	Song et al.	.....	165/80.3
2009/0009968	A1 *	1/2009	Hongo	.....	361/699

\* cited by examiner

*Primary Examiner*—Selina Sikder

(74) *Attorney, Agent, or Firm*—Rafael V. Baca; Baca Law Firm, PLLC

(57) **CLAIM**

The ornamental design of a passive heat sink stand for electronic devices, as shown and herein described.

**DESCRIPTION**

FIG. 1 is a top plan view of a passive heat sink stand for electronic devices showing my new design;

FIG. 2 is a bottom elevational view thereof;

FIG. 3 is a front elevational view thereof;

FIG. 4 is a rear elevational view thereof;

FIG. 5 is a side elevational view thereof;

FIG. 6 is an opposing side elevational view thereof;

FIG. 7 is a partial perspective view from the top thereof;

FIG. 8 is a cut-away side view taken along line 8—8 of FIG. 7;

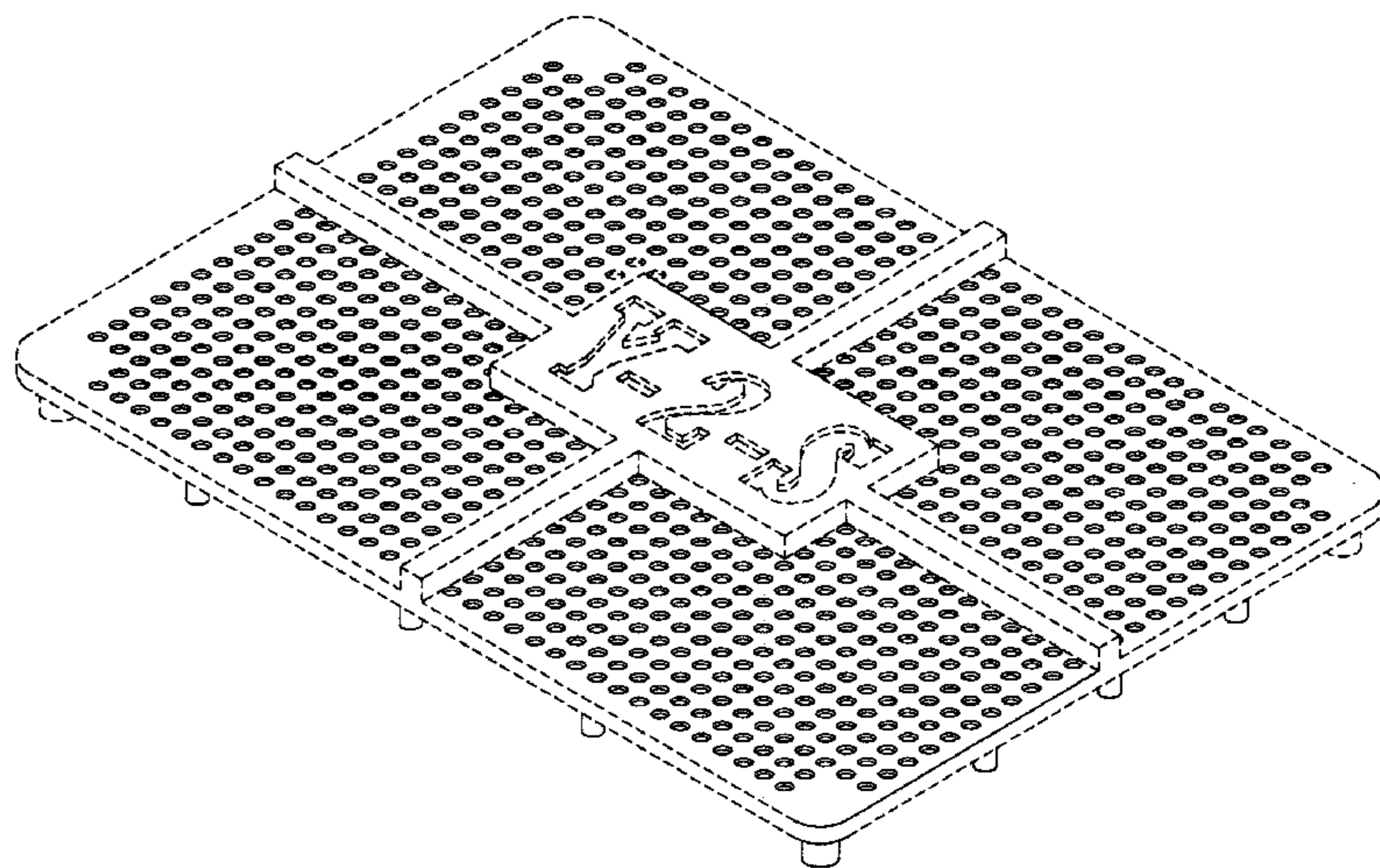
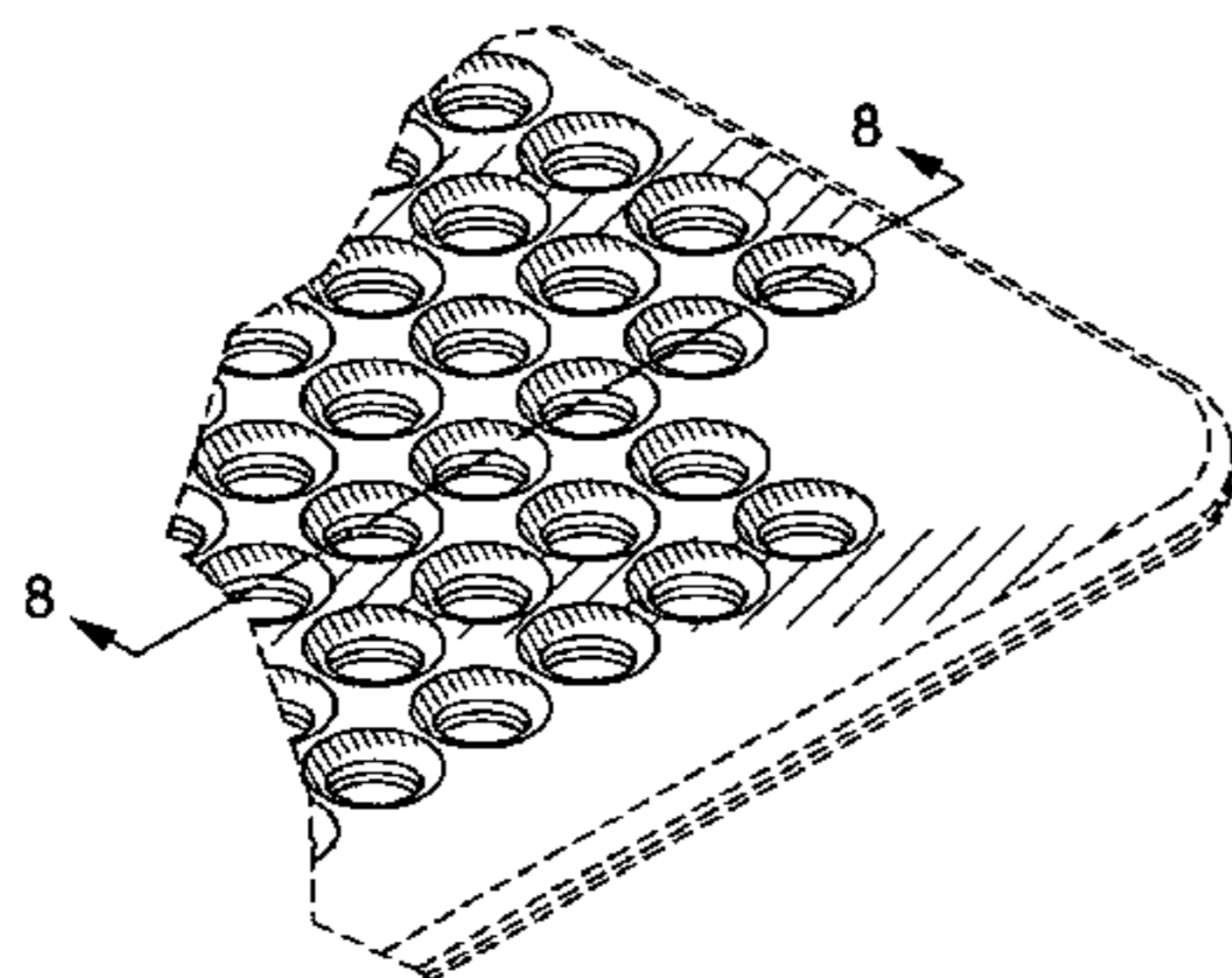
FIG. 9 is a partial perspective view from the bottom thereof;

FIG. 10 is a top perspective view thereof; and,

FIG. 11 is a top perspective view as illustrated in combination with a computer.

The broken lines shown in the drawings are for illustrative purposes only and do not form part of the claimed design.

**1 Claim, 5 Drawing Sheets**





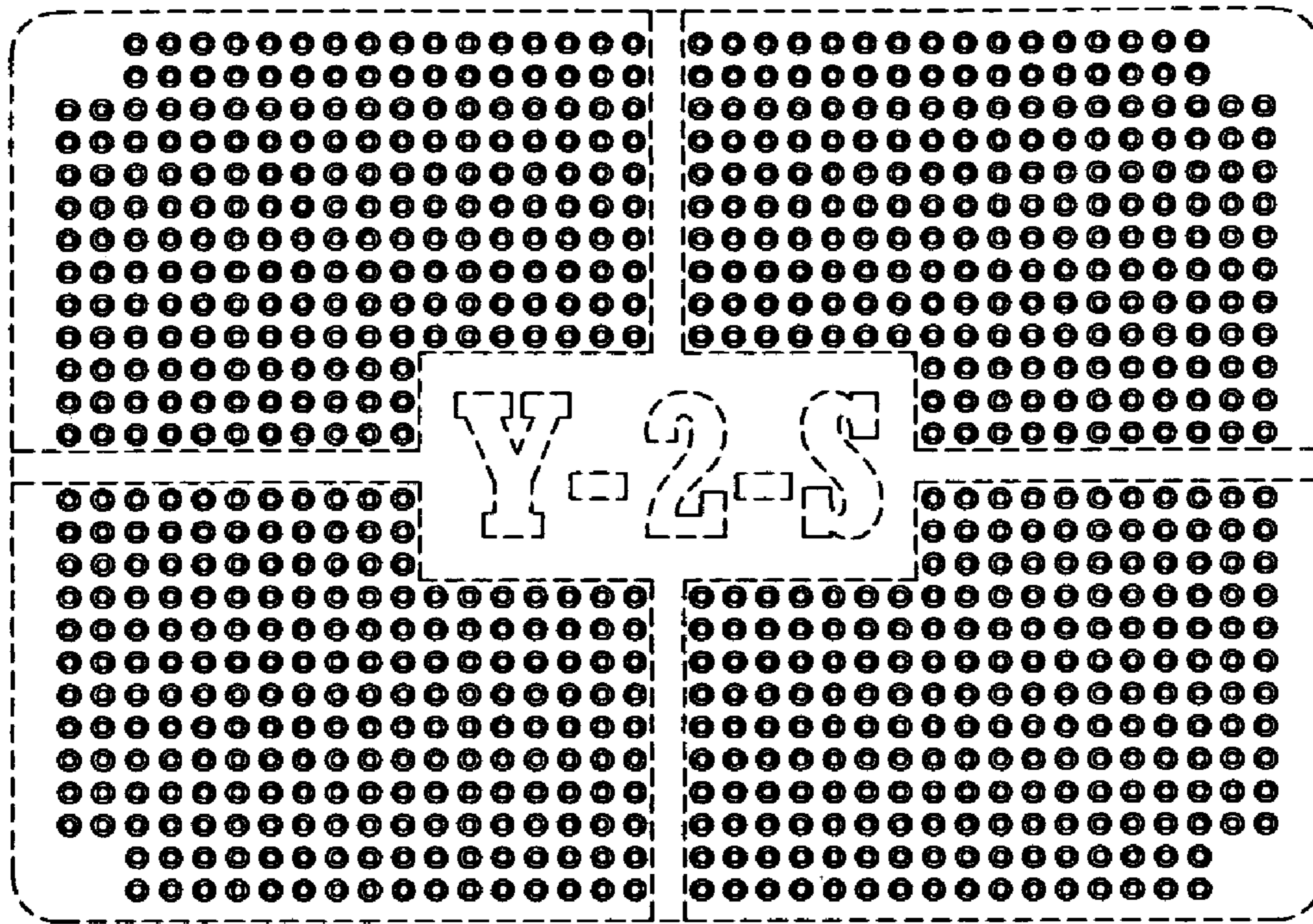


FIG. 1

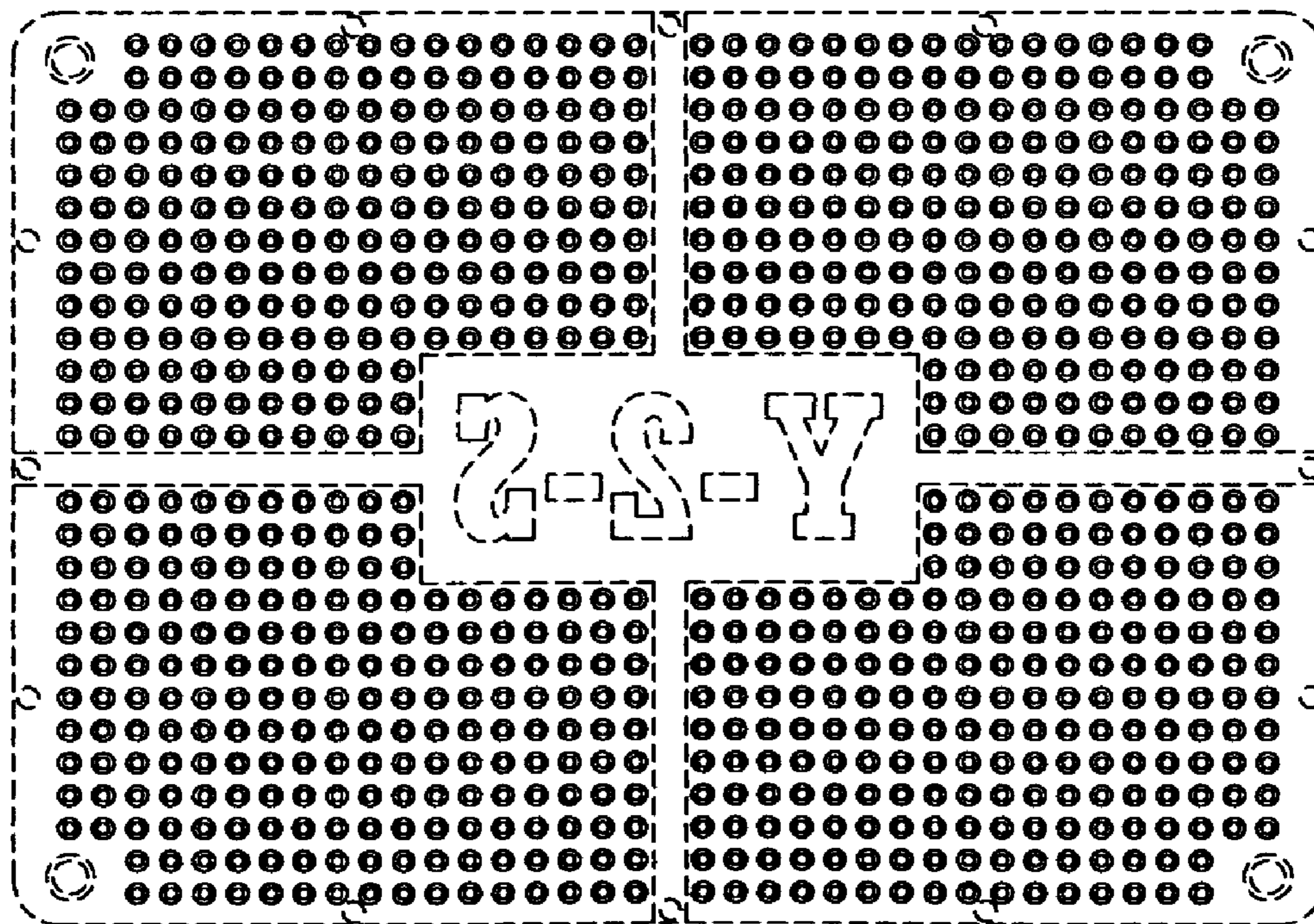


FIG. 2

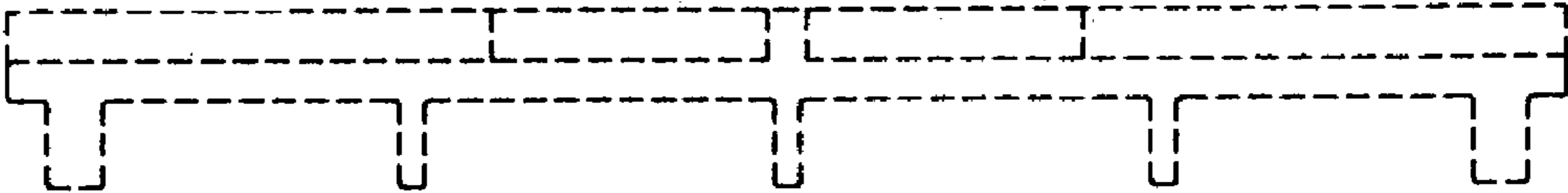


FIG. 3

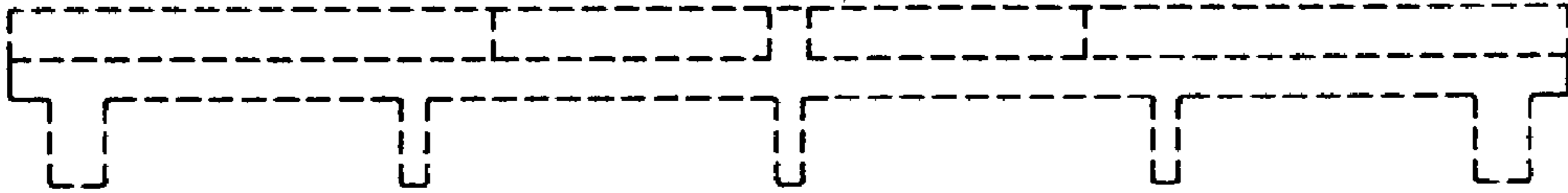


FIG. 4

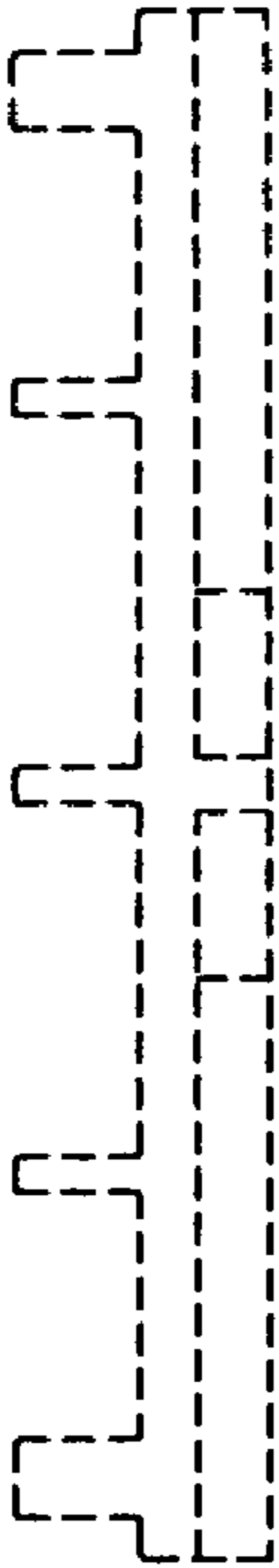


FIG. 5

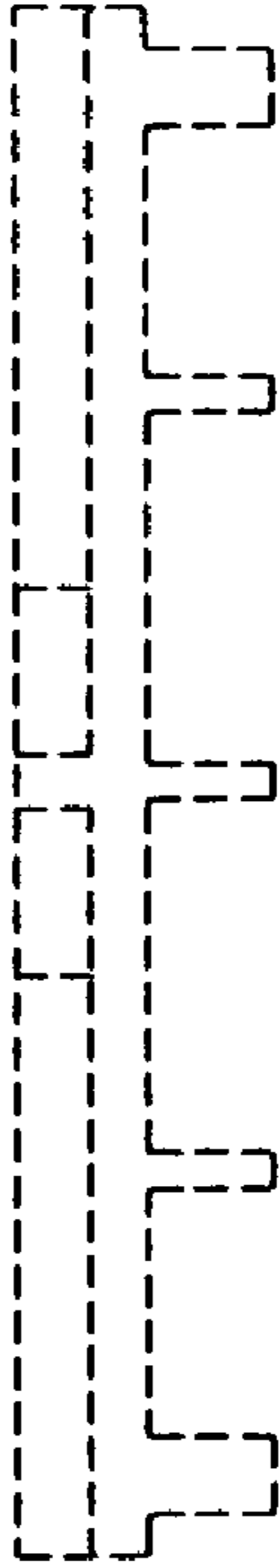


FIG. 6

FIG. 7

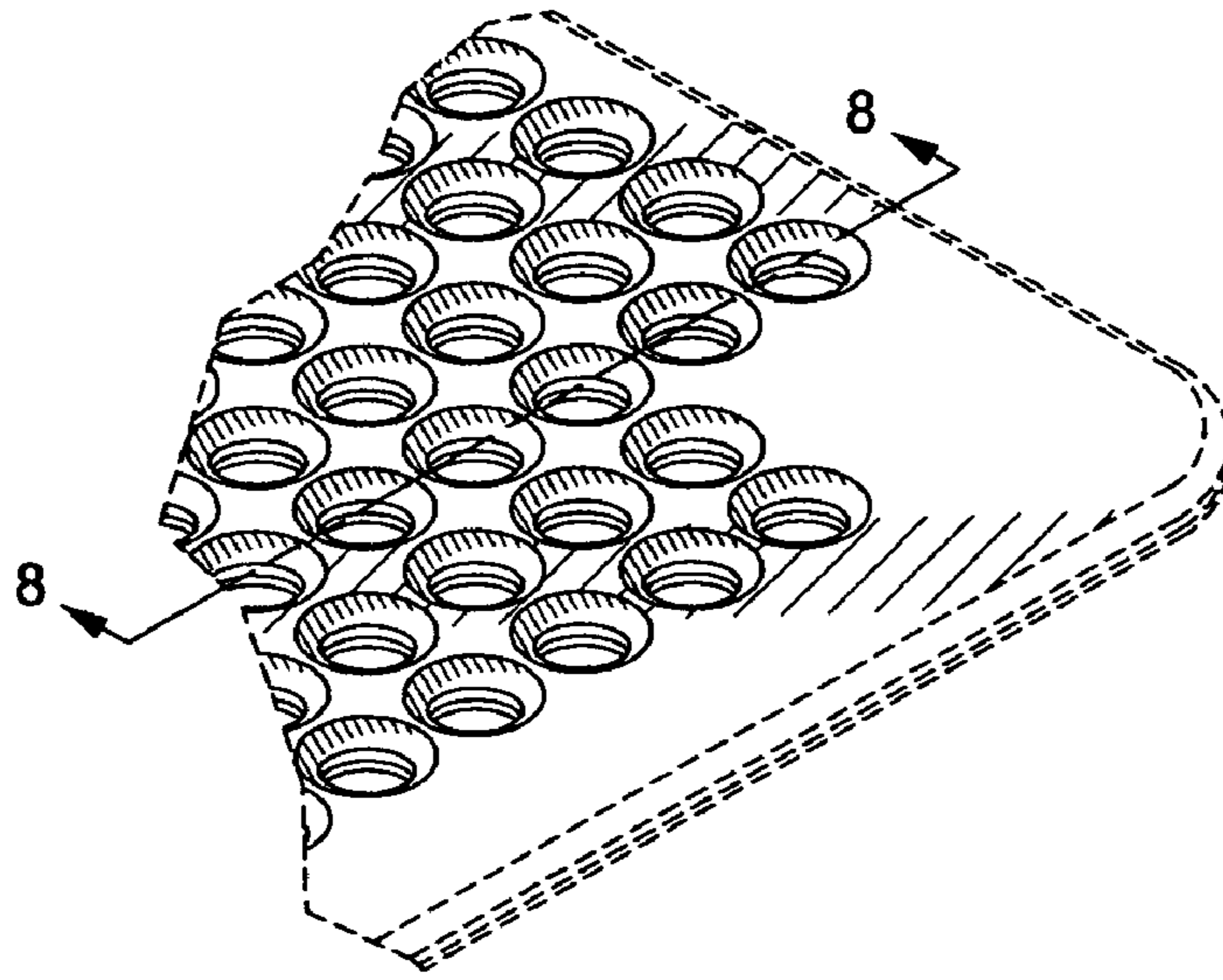
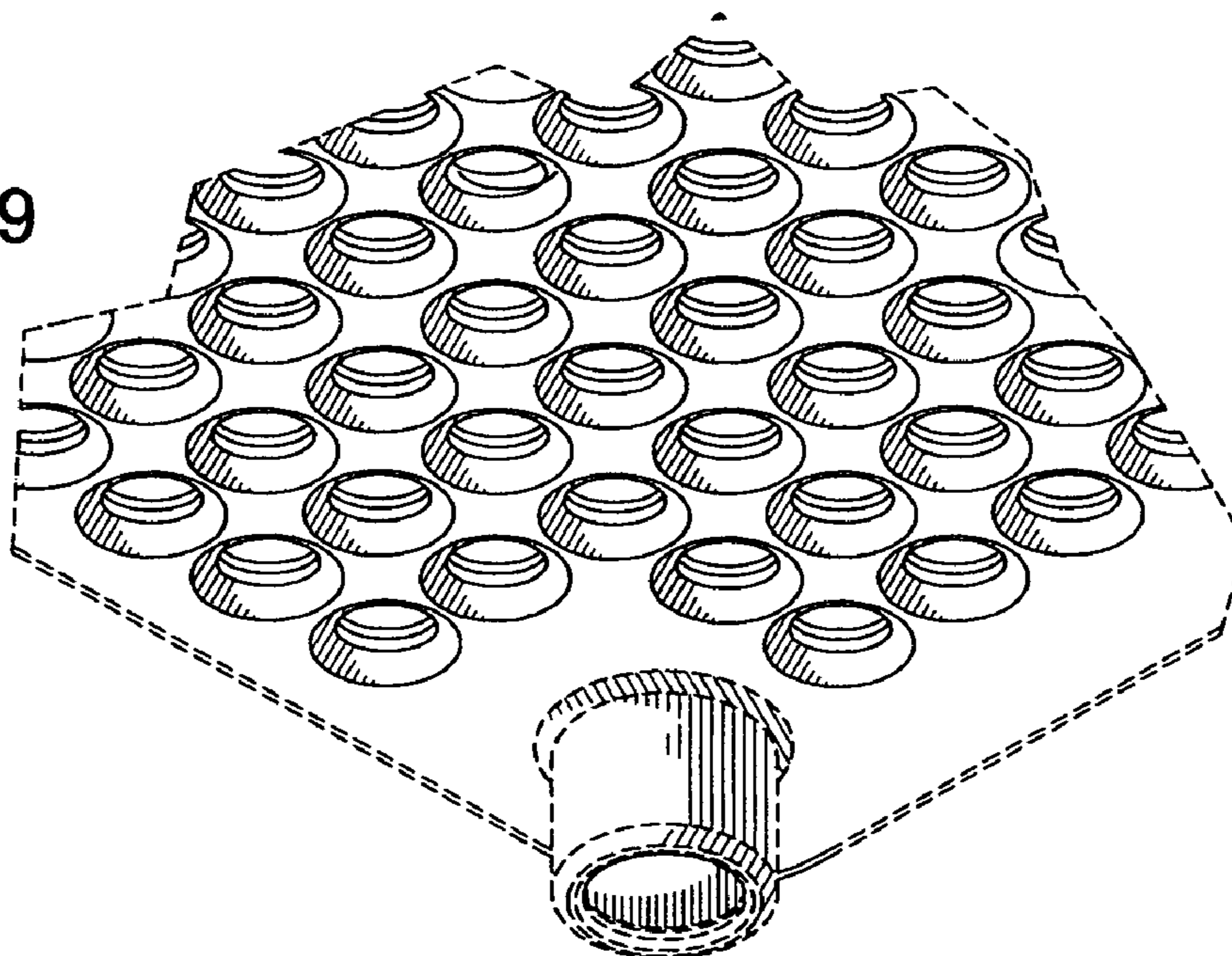


FIG. 8

FIG. 9





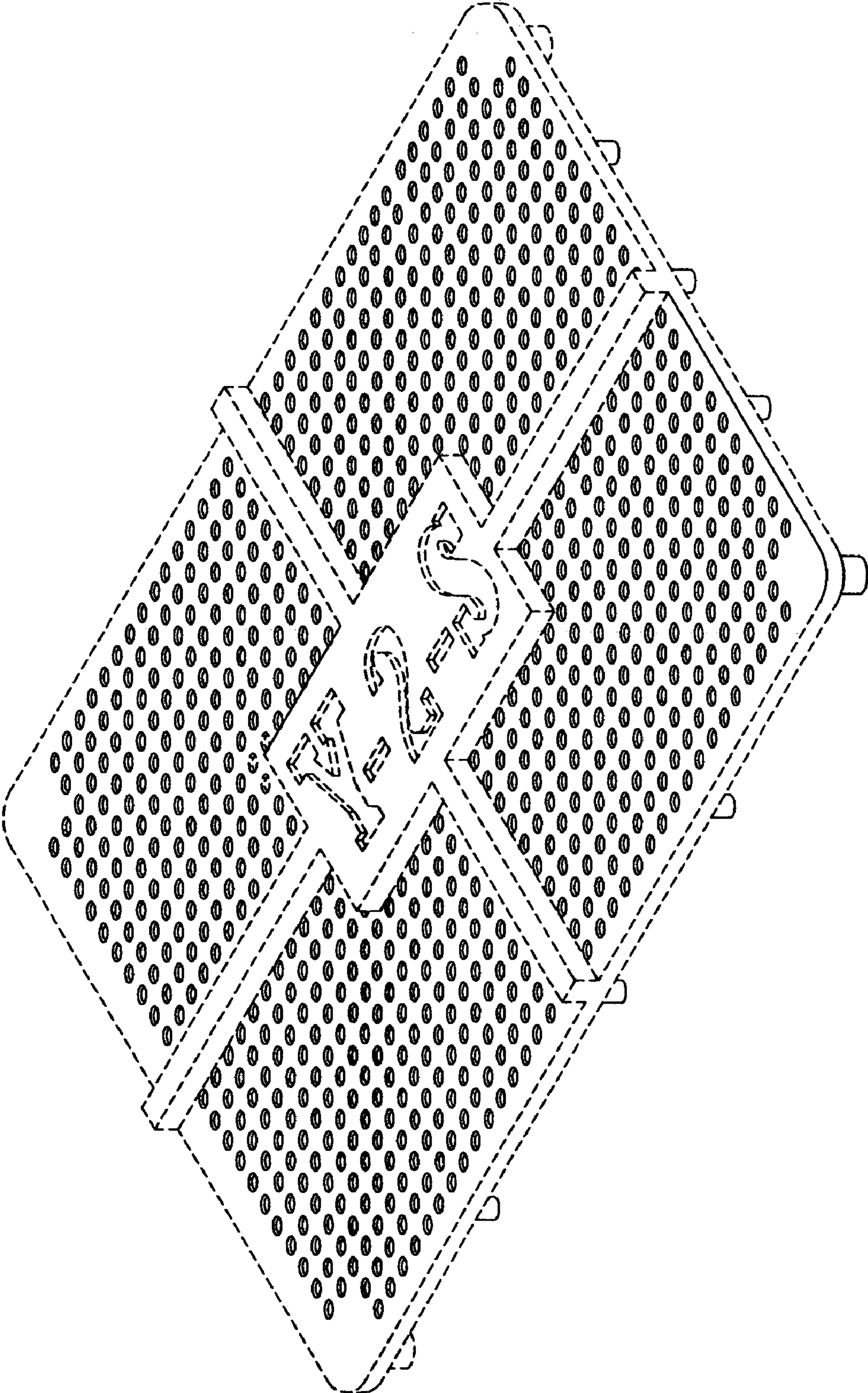


FIG. 10

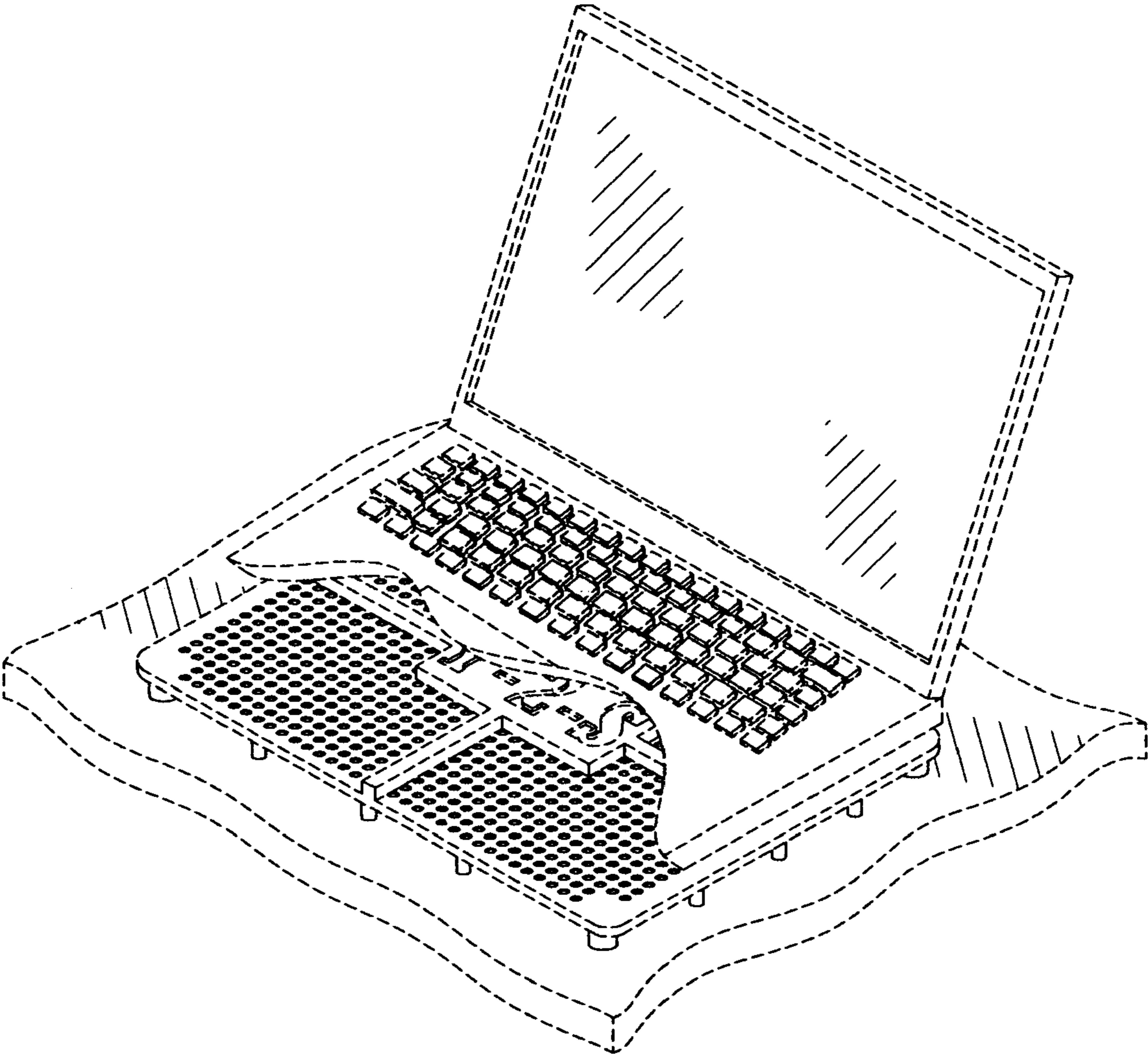


FIG. 11