



US00D605139S

(12) **United States Design Patent**
Moore

(10) **Patent No.:** **US D605,139 S**

(45) **Date of Patent:** **** Dec. 1, 2009**

(54) **OUTLET COVER**

(76) **Inventor:** **Jerry R. Moore**, 23 Wellington Pl.,
Cabot, AR (US) 72023

(**) **Term:** **14 Years**

(21) **Appl. No.:** **29/308,595**

(22) **Filed:** **Jun. 26, 2008**

(51) **LOC (9) Cl.** **13-03**

(52) **U.S. Cl.** **D13/156**

(58) **Field of Classification Search** D13/156,
D13/152, 15, 177, 184; 174/50, 58, 66-67;
439/135-136, 142, 148; 379/412

See application file for complete search history.

(56) **References Cited**

U.S. PATENT DOCUMENTS

D476,628 S * 7/2003 Millar D13/158

D509,193 S * 9/2005 Piedmont D13/156

D538,234 S * 3/2007 Aupperle D13/158

D556,694 S * 12/2007 Sipe D13/152

D566,657 S * 4/2008 Shen et al. D13/152

D570,787 S * 6/2008 Kinnard D13/156

D573,104 S * 7/2008 Richey D13/156

* cited by examiner

Primary Examiner—Brian N Vinson

(74) *Attorney, Agent, or Firm*—Richard L. Mikesell

(57) **CLAIM**

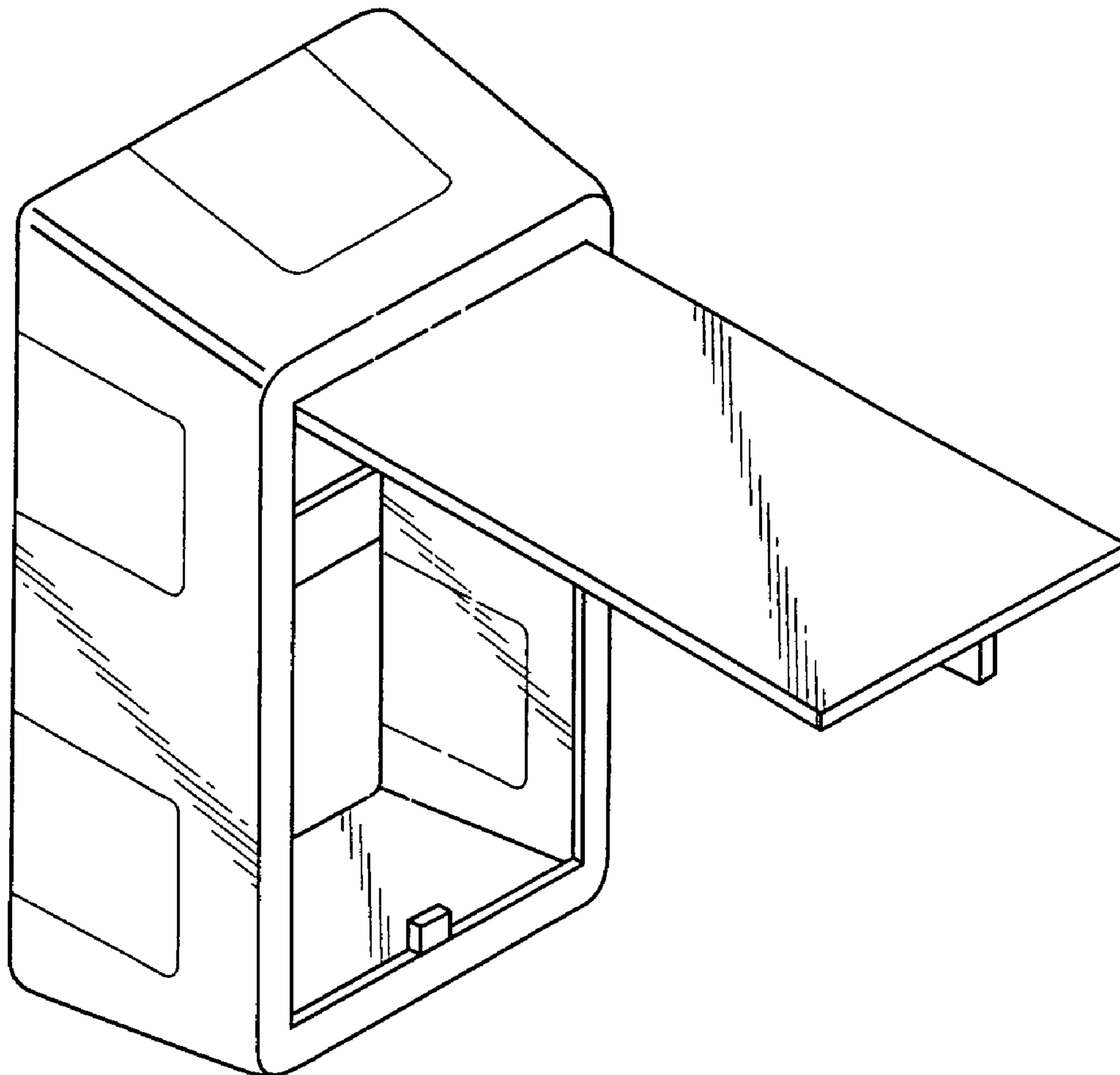
The ornamental design for an outlet cover, as shown and described.

DESCRIPTION

FIG. 1 is a top, front, and left side perspective view thereof; and,

FIG. 2 is a front elevational view thereof, with the broken-line disclosure of a receptacle shown being for illustrative purposes only and forming no part of the claimed design.

1 Claim, 1 Drawing Sheet



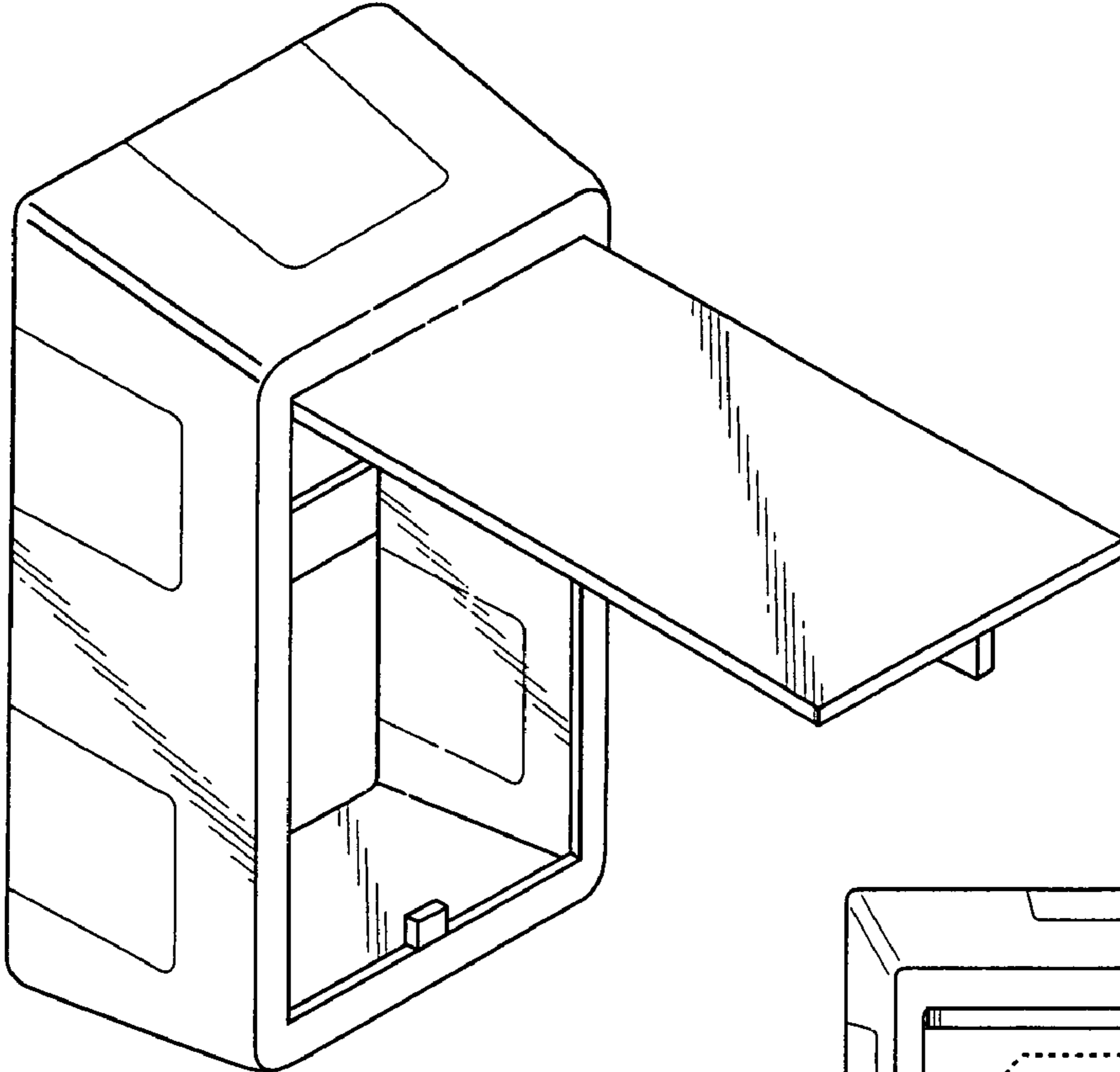


Fig. 1

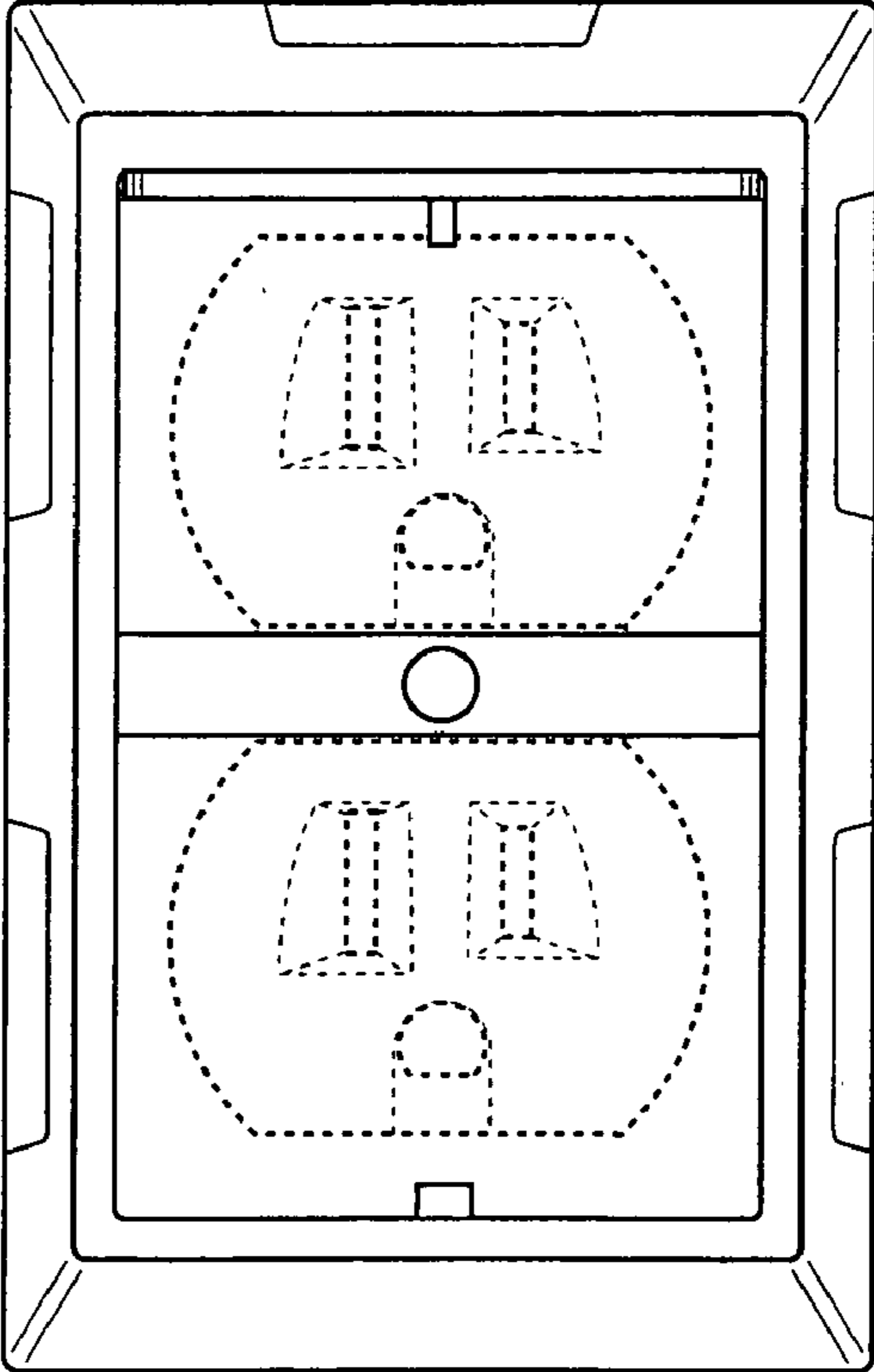


Fig. 2