



US00D605137S

(12) **United States Design Patent**
Yu et al.

(10) **Patent No.:** **US D605,137 S**
(45) **Date of Patent:** **** Dec. 1, 2009**

(54) **MULTI-CONTACT POINT TERMINAL**

D582,348 S * 12/2008 Shiu D13/154
D585,031 S * 1/2009 Hung D13/154

(75) Inventors: **Sheng Nan Yu**, Tu-Cheng (TW); **Yung Chi Peng**, Tu-Cheng (TW)

* cited by examiner

(73) Assignee: **Cheng Uei Precision Industry Co., Ltd.**, Taipei Hsien (TW)

Primary Examiner—Daniel D Bui

(74) *Attorney, Agent, or Firm*—Rosenberg, Klein & Lee

(**) Term: **14 Years**

(57) **CLAIM**

(21) Appl. No.: **29/311,515**

The ornamental design for a multi-contact point terminal, as shown and described.

(22) Filed: **Apr. 6, 2009**

DESCRIPTION

(51) **LOC (9) Cl.** **13-03**

FIG. 1 is a perspective view of a multi-contact point terminal showing our new design;

(52) **U.S. Cl.** **D13/154**

FIG. 2 is a front elevational view thereof;

(58) **Field of Classification Search** D13/120,

FIG. 3 is a rear elevational view thereof;

D13/133, 154, 184; 439/607–610, 732, 844,

FIG. 4 is a left side elevational view thereof;

439/851–852, 865–867, 872, 877, 884

FIG. 5 is a right side elevational view thereof;

See application file for complete search history.

FIG. 6 is a top plan view thereof; and,

(56) **References Cited**

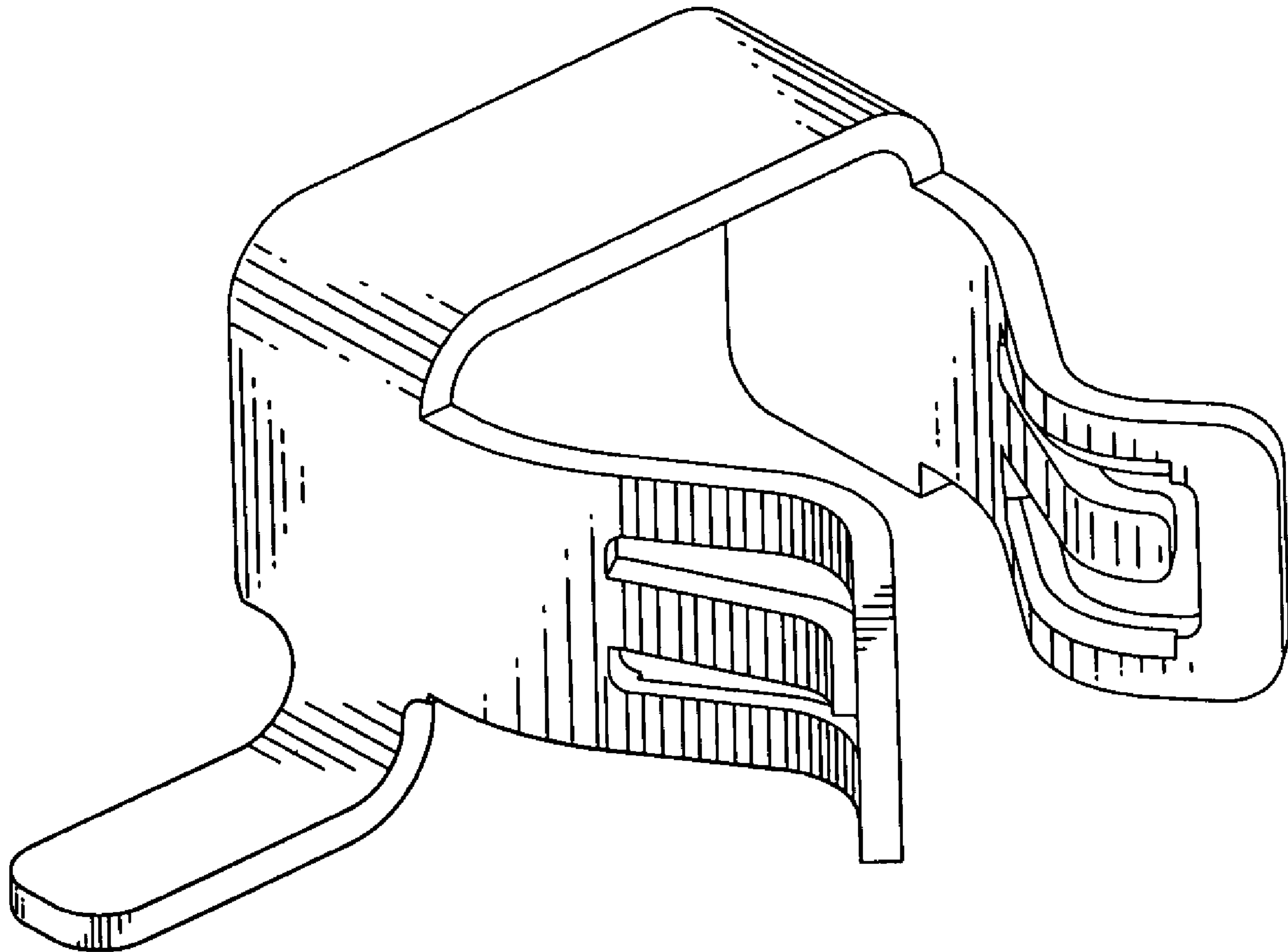
FIG. 7 is a bottom plan view thereof.

U.S. PATENT DOCUMENTS

D514,514 S * 2/2006 Franks, Jr. D13/133

D568,246 S * 5/2008 Wu et al. D13/133

1 Claim, 7 Drawing Sheets



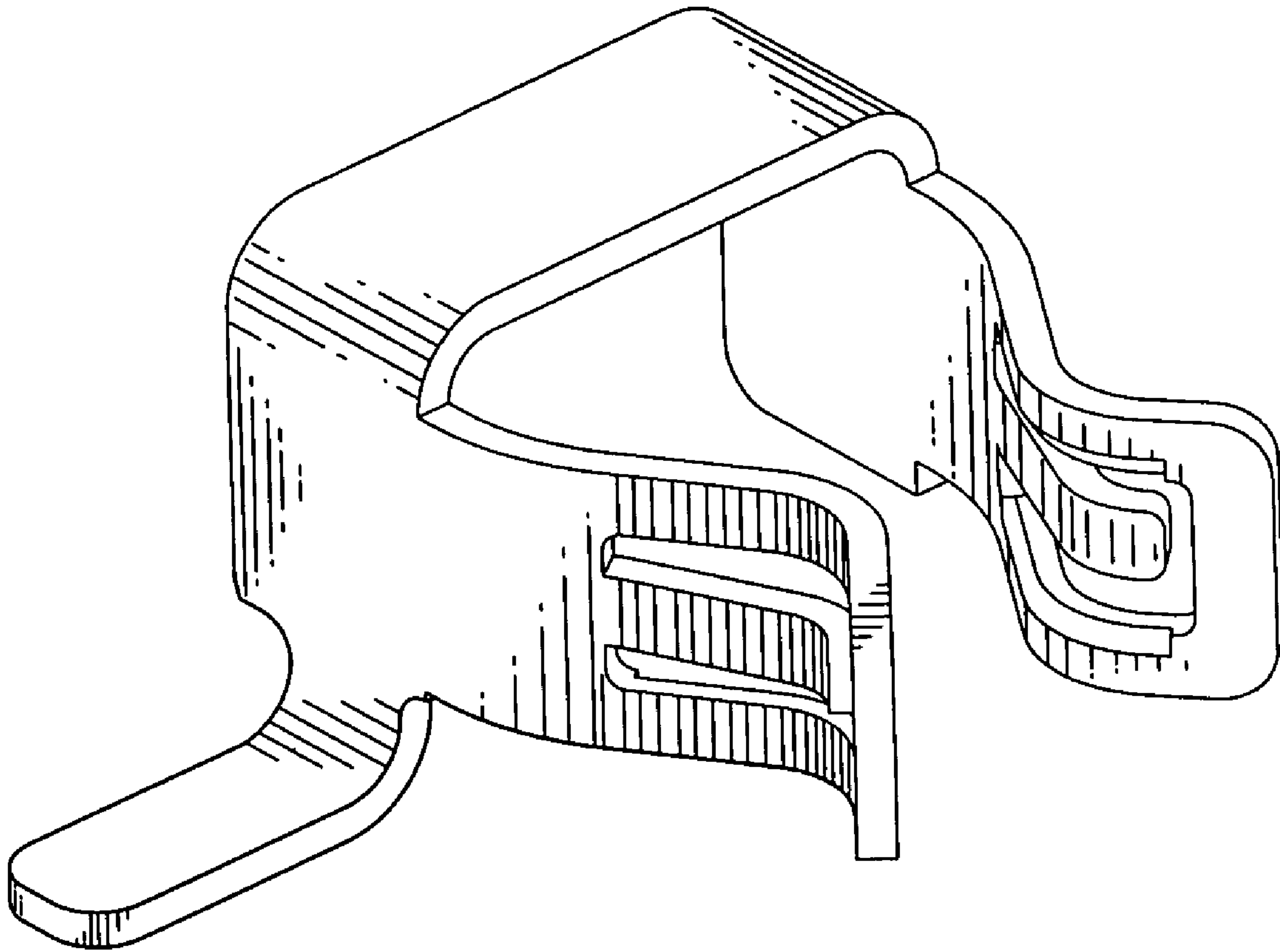


FIG. 1

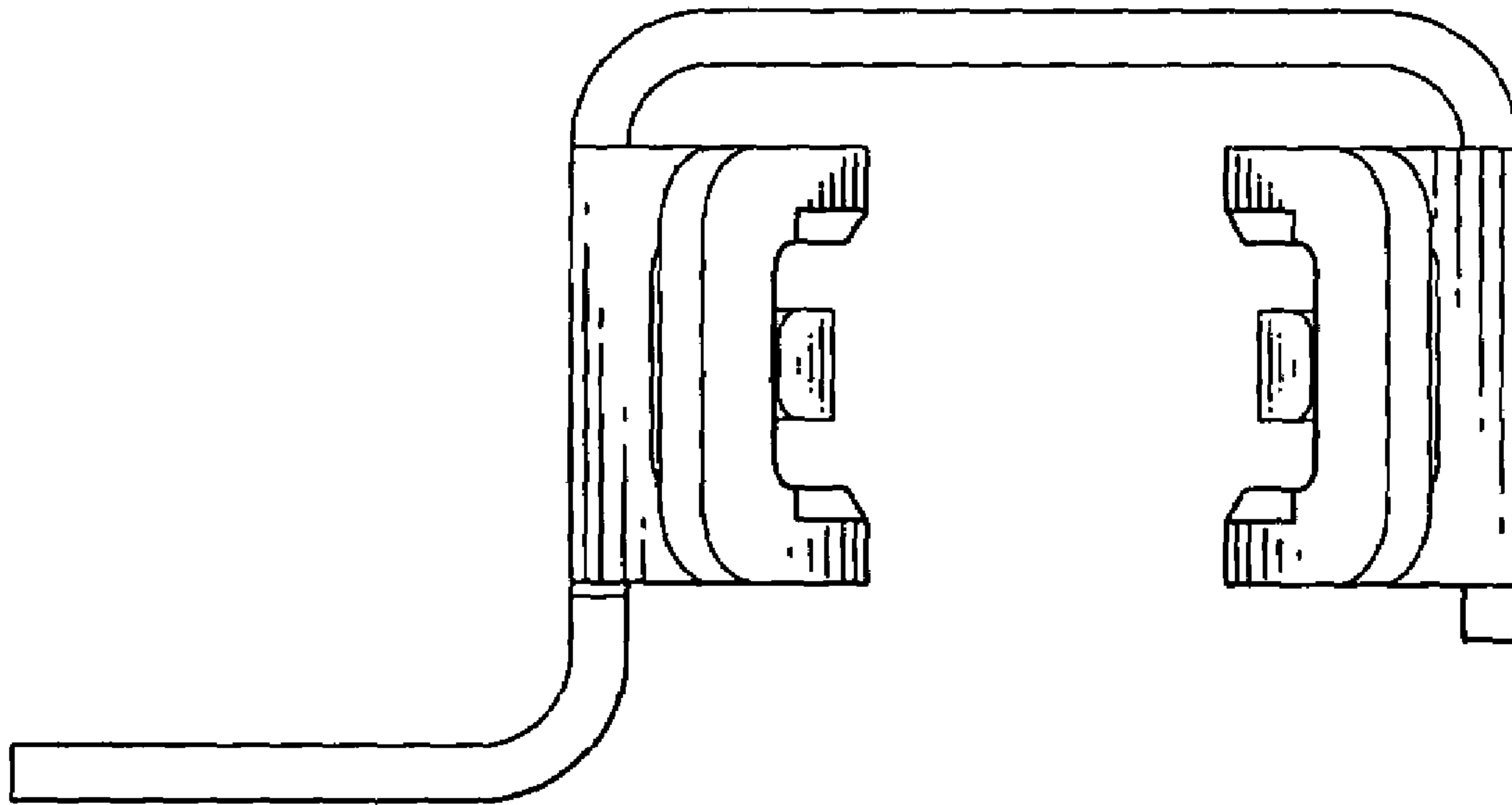


FIG. 2

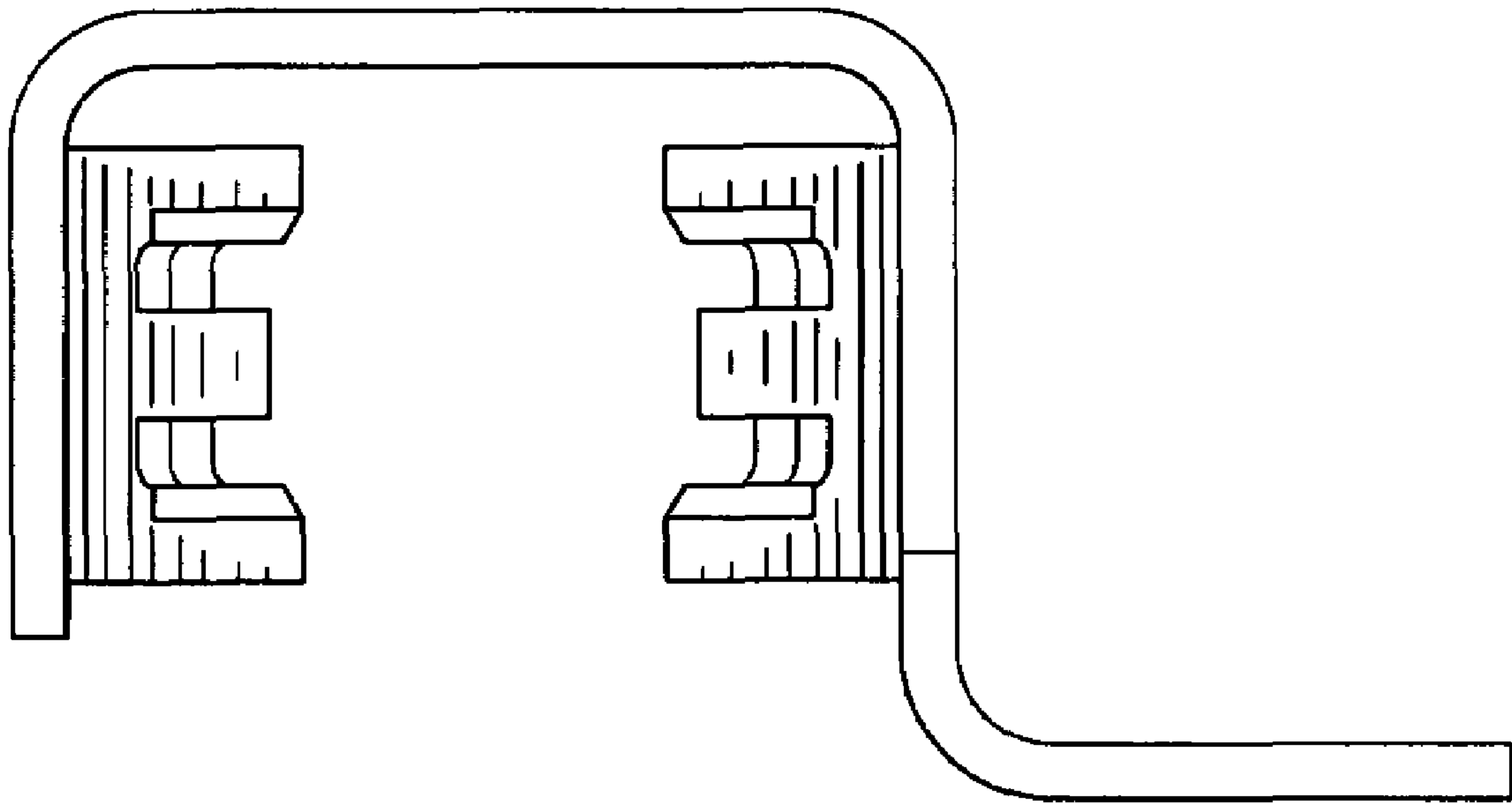


FIG. 3

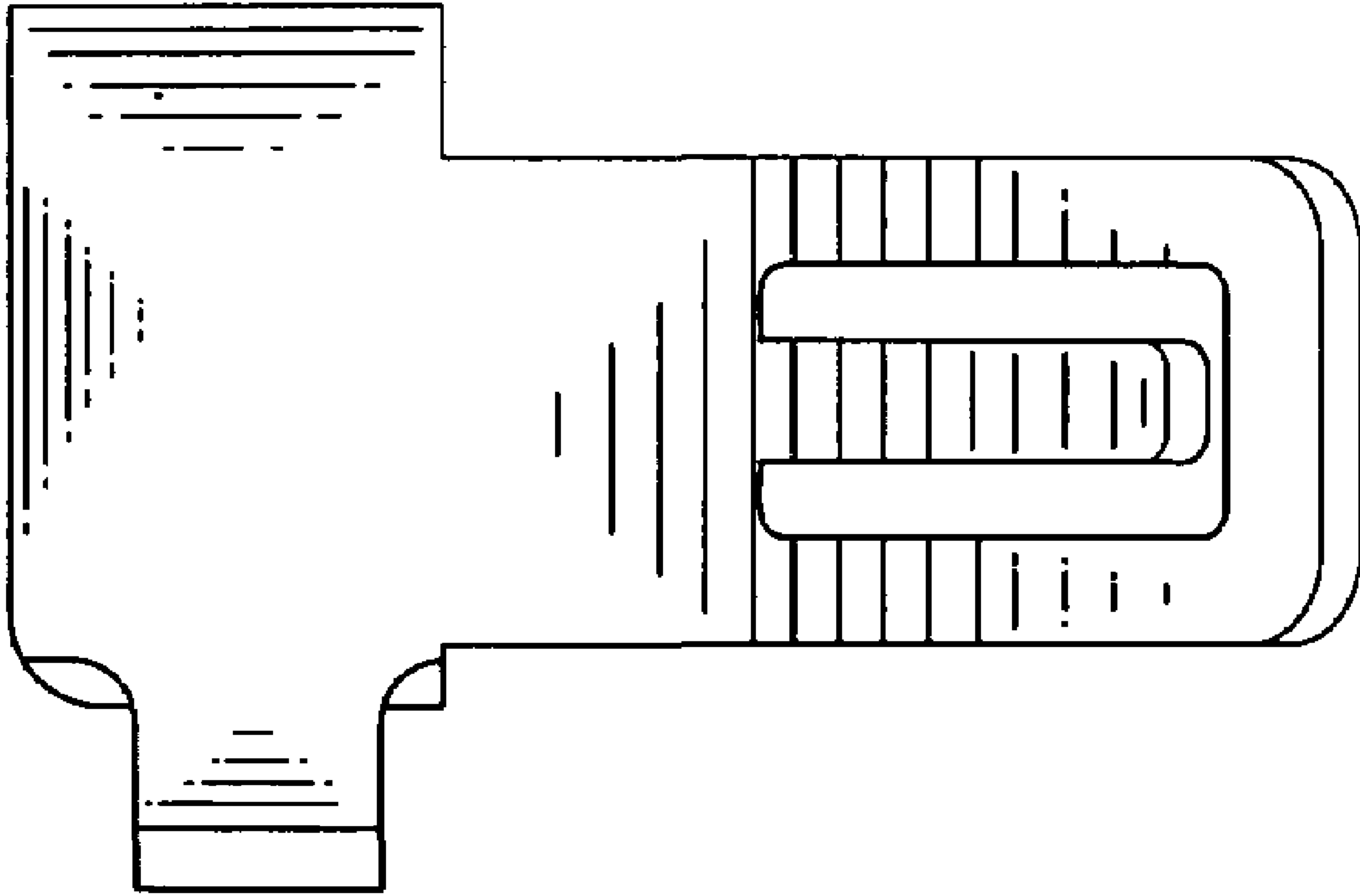


FIG. 4

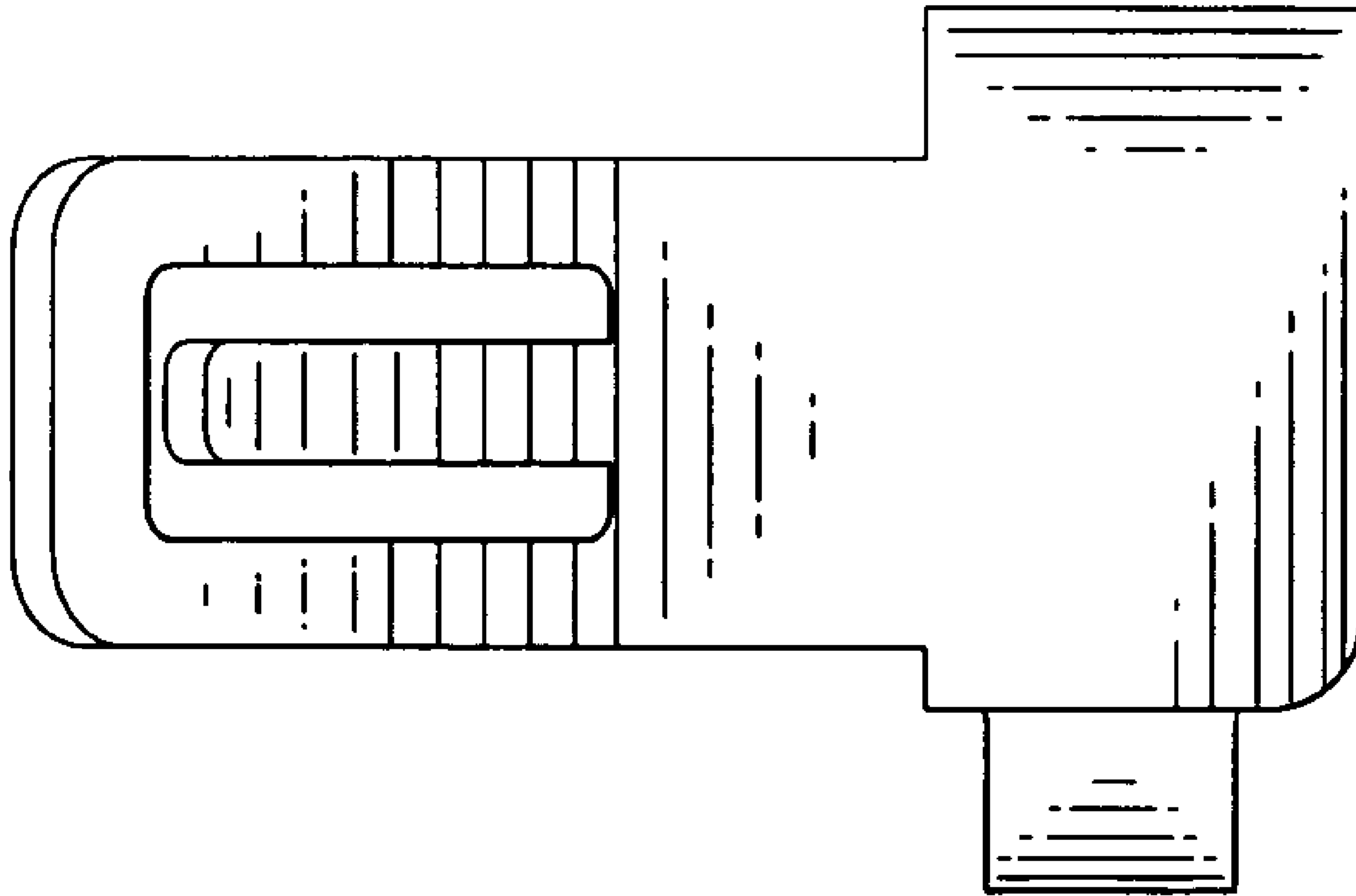


FIG. 5

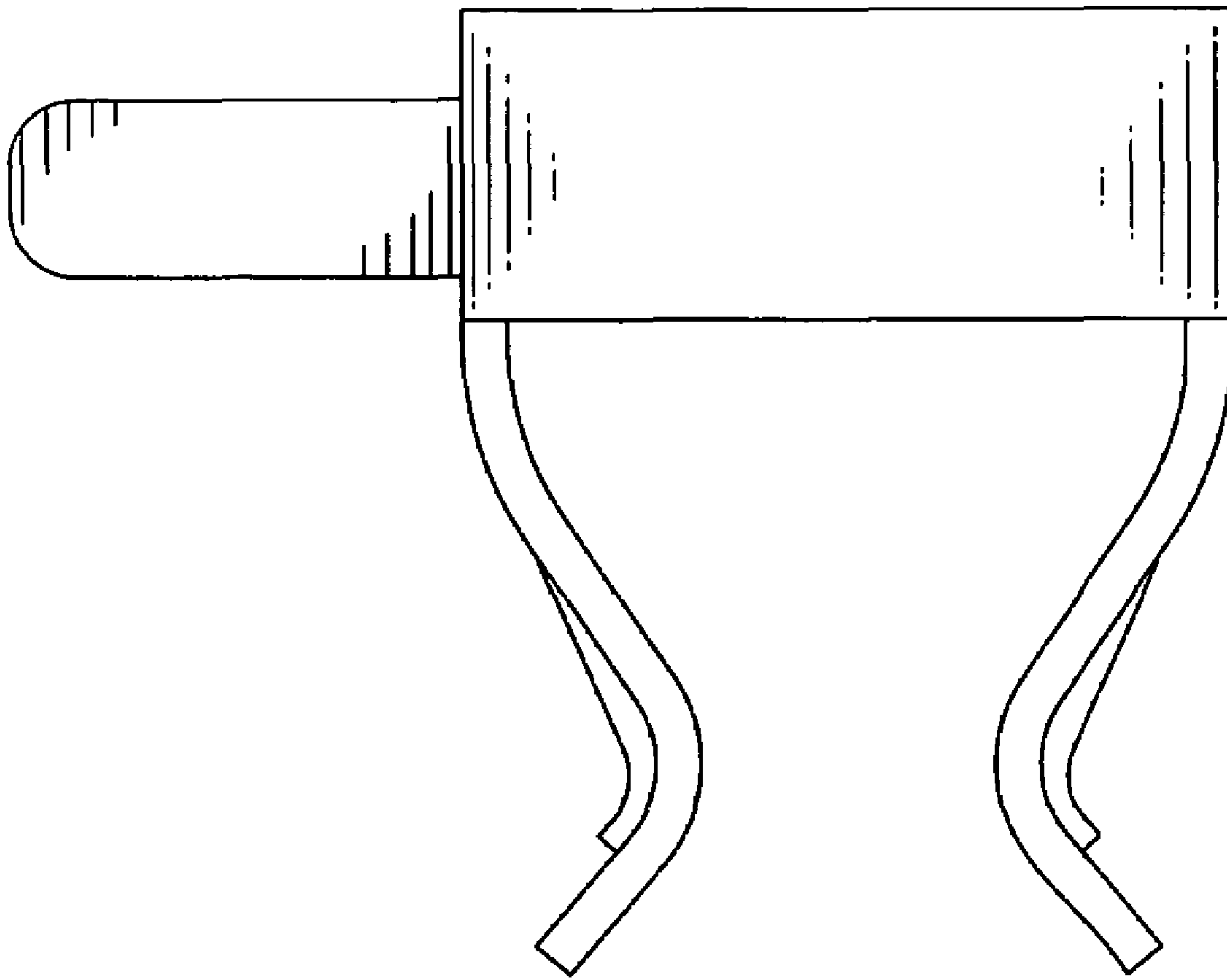


FIG. 6

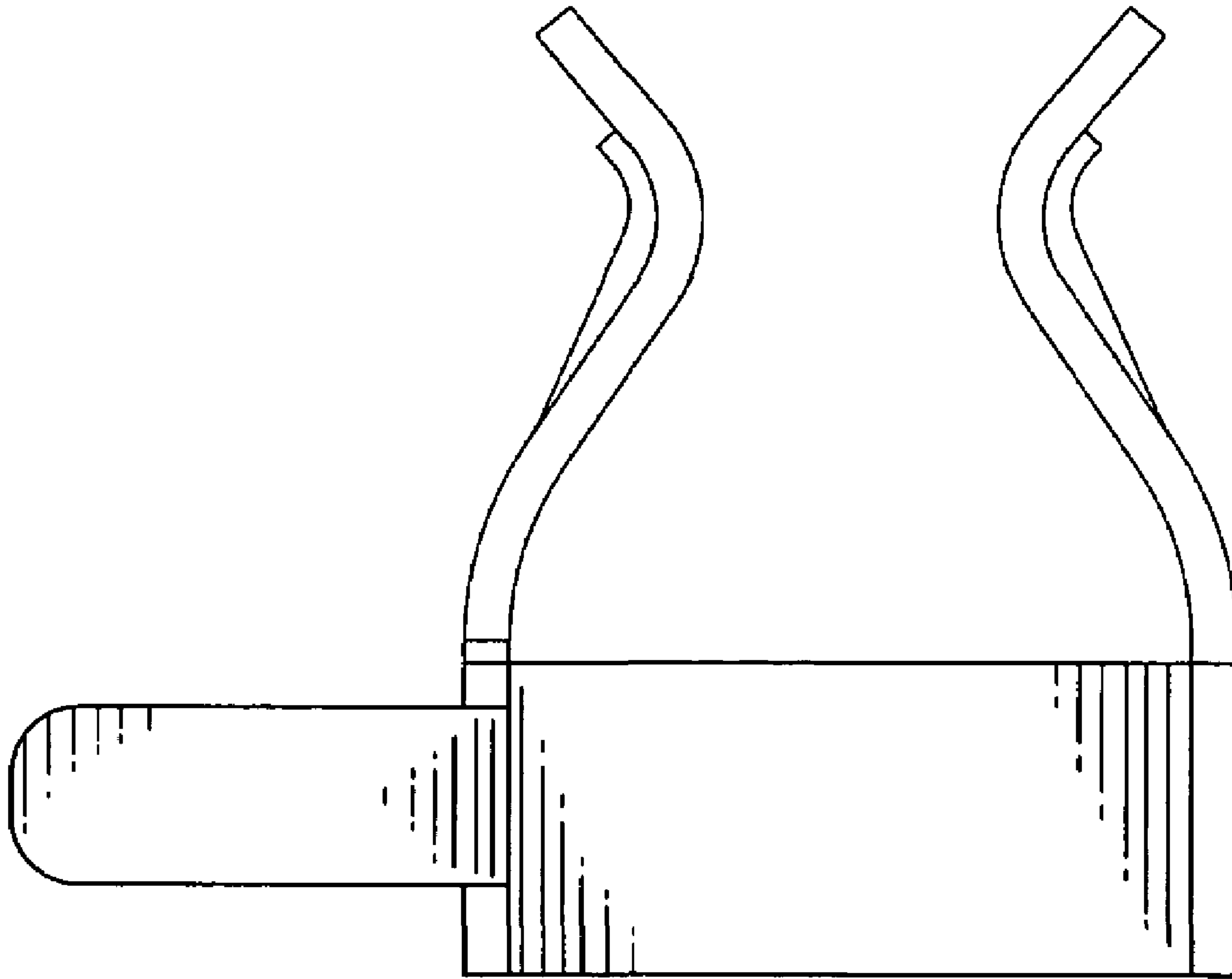


FIG. 7