



US00D605131S

(12) **United States Design Patent**  
**Zhao et al.**

(10) **Patent No.:** **US D605,131 S**

(45) **Date of Patent:** **\*\* Dec. 1, 2009**

(54) **CABLE CONNECTOR ASSEMBLY**

(75) Inventors: **Jing-He Zhao**, KunShan (CN);  
**Ping-Sheng Su**, TuCheng (TW)

(73) Assignee: **Hon Hai Precision Ind. Co., Ltd.**, Taipei  
Hsien (TW)

(\*\*) Term: **14 Years**

(21) Appl. No.: **29/313,725**

(22) Filed: **Feb. 4, 2009**

(30) **Foreign Application Priority Data**

Aug. 4, 2008 (CN) ..... 2008 3 0301133

(51) **LOC (9) Cl.** ..... **13-03**

(52) **U.S. Cl.** ..... **D13/147**

(58) **Field of Classification Search** ..... D13/147,  
D13/153, 154, 184; 439/359, 362, 607-610,  
439/656, 680, 686

See application file for complete search history.

(56) **References Cited**

**U.S. PATENT DOCUMENTS**

D317,291 S *	6/1991	Esslinger	.....	D13/133
D459,703 S *	7/2002	Aldridge	.....	D13/147
D460,050 S *	7/2002	Haines et al.	.....	D13/147
D468,266 S *	1/2003	Huang	.....	D13/147
D503,153 S *	3/2005	Suckle et al.	.....	D13/154
D511,501 S *	11/2005	Lee et al.	.....	D13/156

D513,408 S *	1/2006	Suckle	.....	D13/154
D515,508 S *	2/2006	Lee	.....	D13/147
D519,465 S *	4/2006	Sirichai et al.	.....	D13/156

\* cited by examiner

*Primary Examiner*—Daniel D Bui

(74) *Attorney, Agent, or Firm*—Wei Te Chung; Andrew C. Cheng; Ming Chieh Chang

(57) **CLAIM**

The ornamental design for an cable connector assembly, as shown described.

**DESCRIPTION**

The patent or application file contains at least one drawing executed in color. Copies of this patent or patent application publication with color drawings(s) will be provided by the Office upon request and payment of the necessary fee.

FIG. 1 is a front, top and left side perspective view of the cable connector assembly, showing our new design;

FIG. 2 is a front elevation view thereof;

FIG. 3 is a rear elevation view thereof;

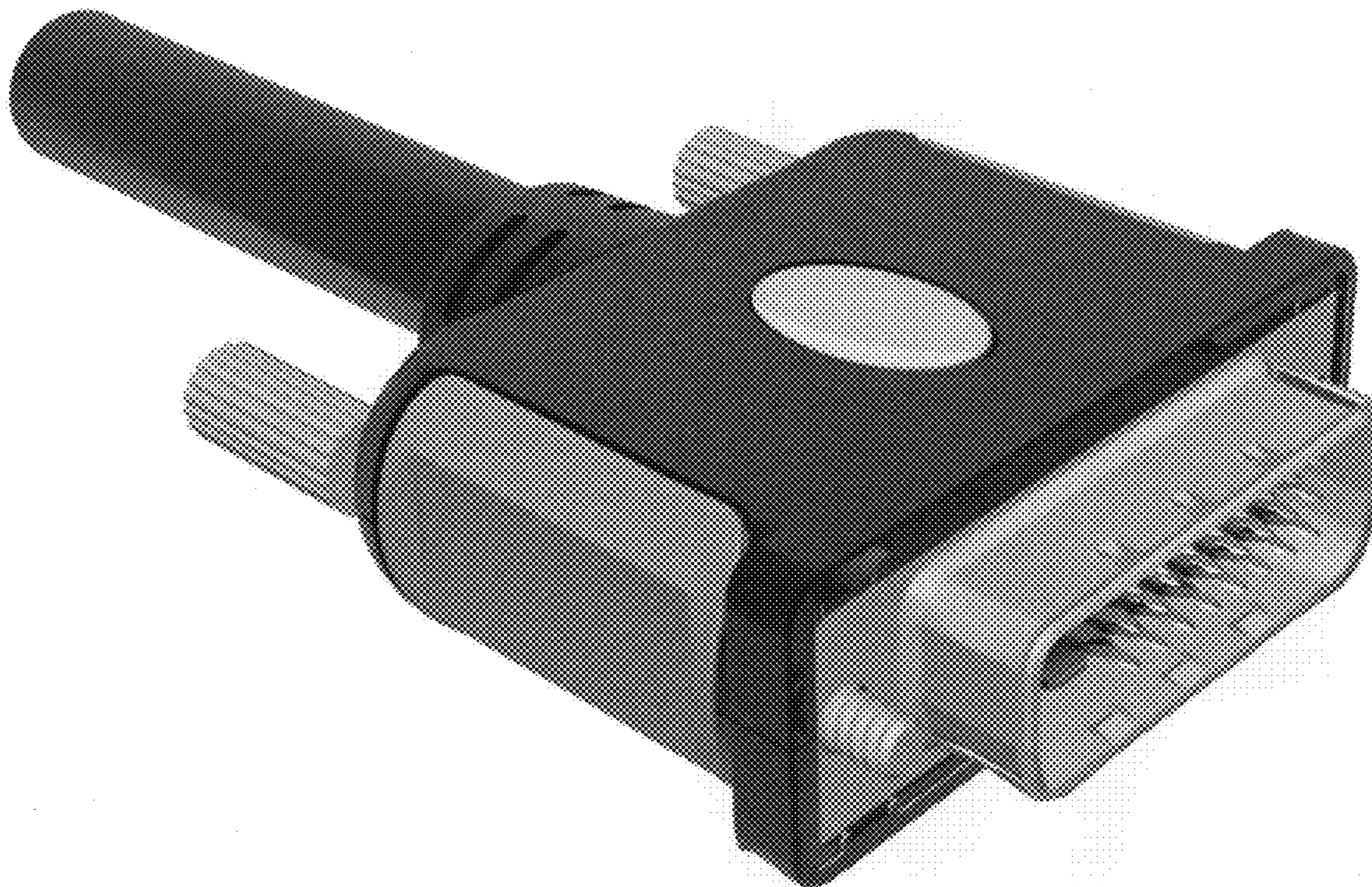
FIG. 4 is a left side elevation view thereof;

FIG. 5 is a right side elevation view thereof;

FIG. 6 is a top plan view thereof; and,

FIG. 7 is a bottom plan view thereof.

**1 Claim, 7 Drawing Sheets**  
**(7 of 7 Drawing Sheet(s) Filed in Color)**





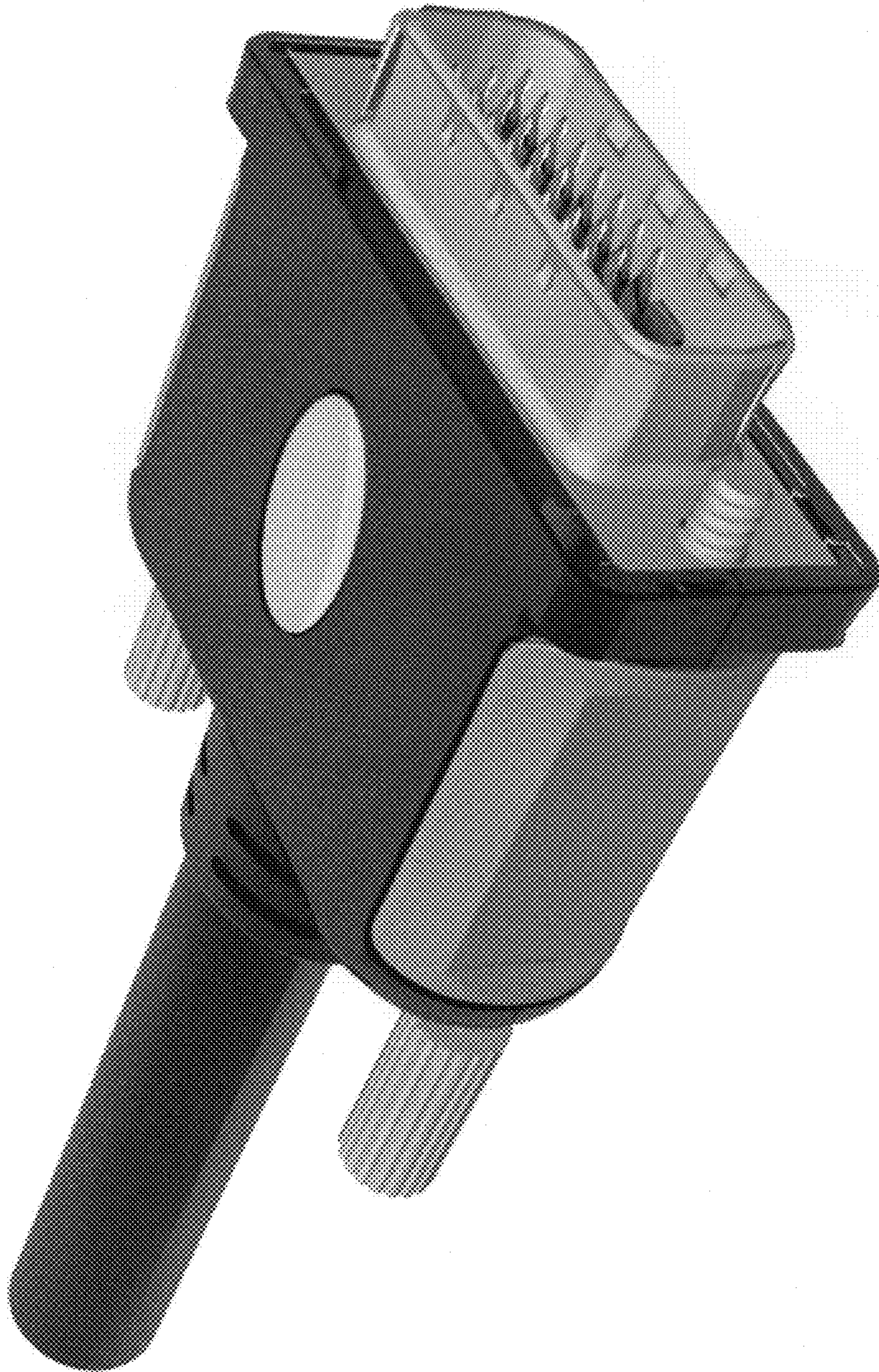


FIG. 1



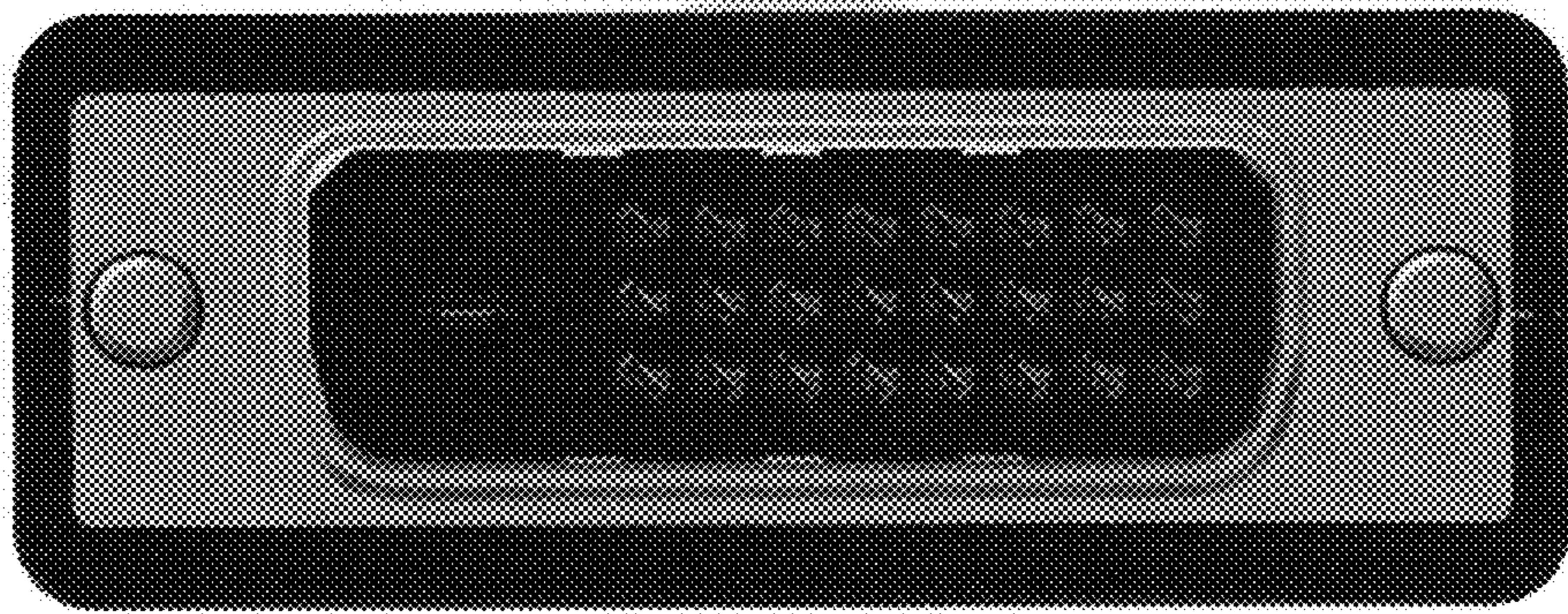


FIG. 2

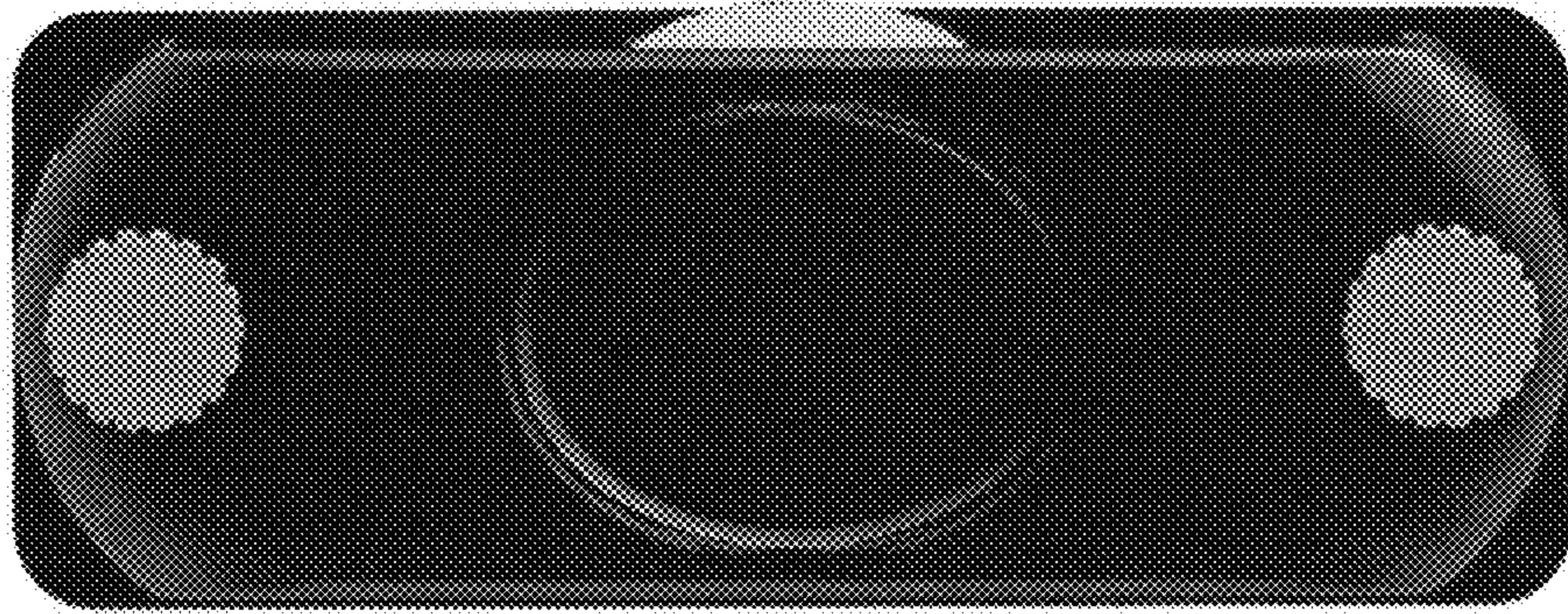


FIG. 3



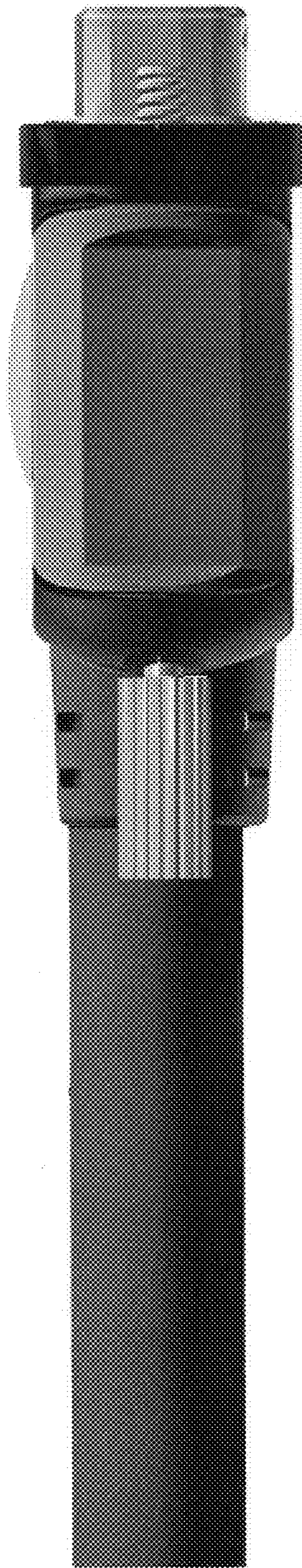


FIG. 4



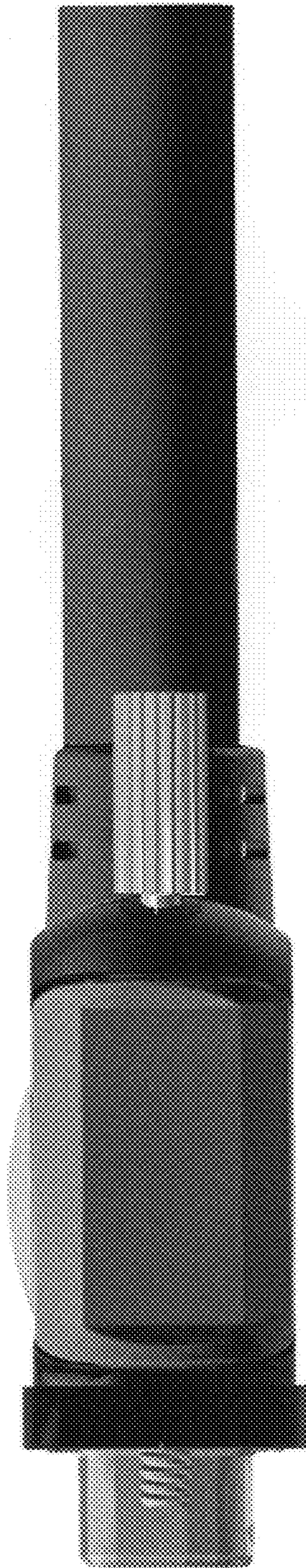


FIG. 5



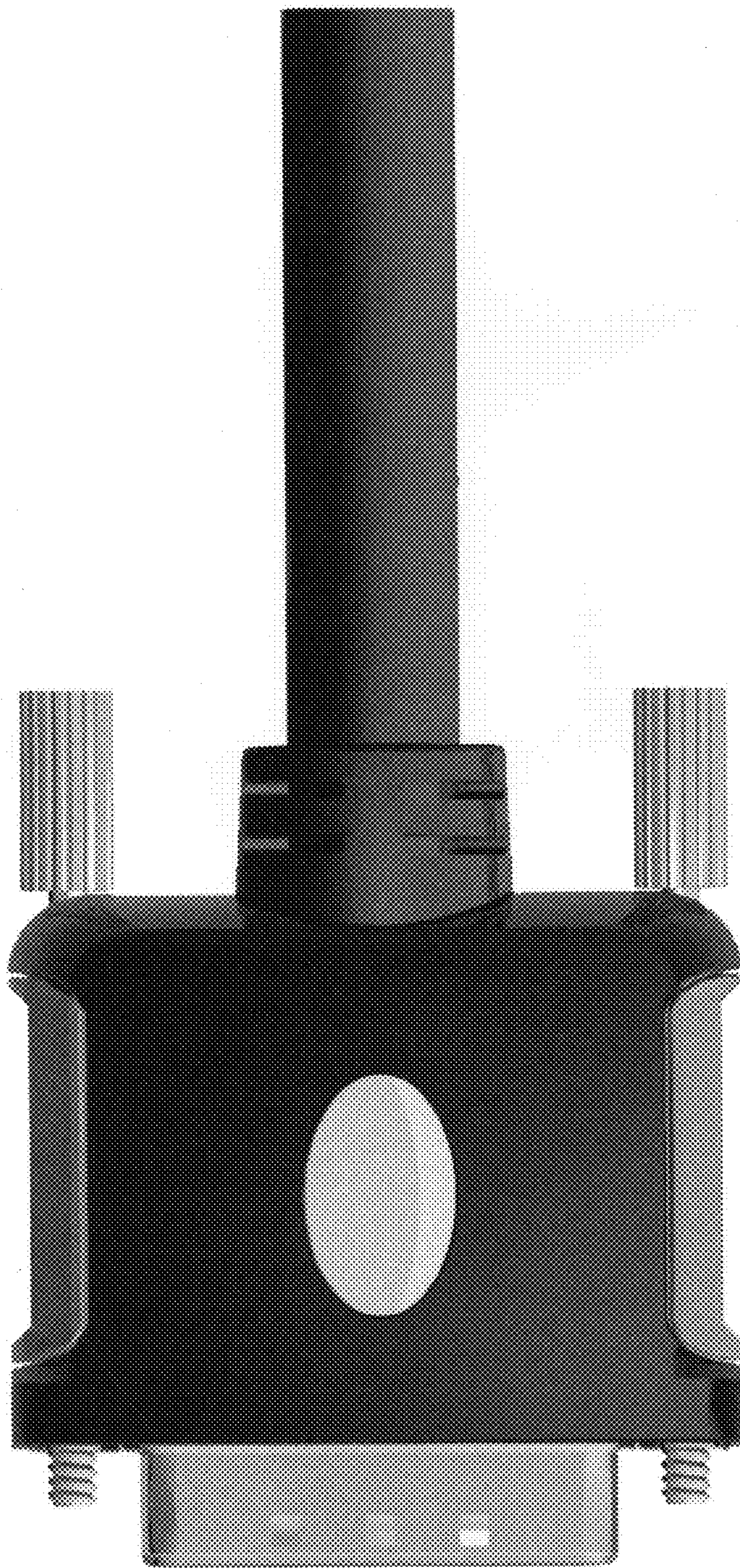


FIG. 6



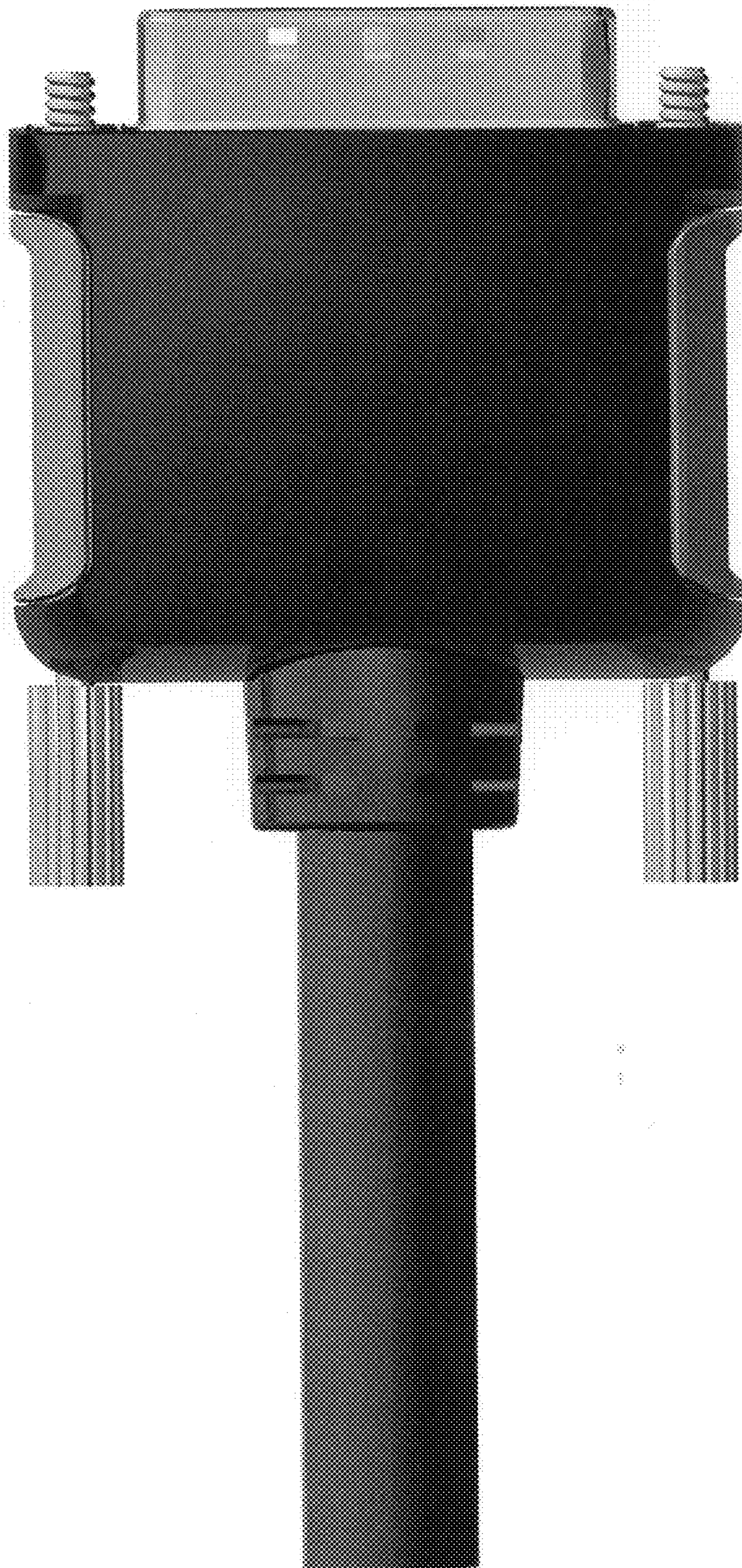


FIG. 7