

US00D605130S

(12) **United States Design Patent**
Lin et al.

(10) **Patent No.:** **US D605,130 S**
(45) **Date of Patent:** **** Dec. 1, 2009**

(54) **CONNECTOR**

(75) Inventors: **Kuo Chin Lin**, Tu-Cheng (TW); **Feng Zhu**, Tu-Cheng (TW); **Xing Yu Hu**, Tu-Cheng (TW)

(73) Assignee: **Cheng Uei Precision Industry Co., Ltd.**, Taipei Hsien (TW)

(**) Term: **14 Years**

(21) Appl. No.: **29/309,504**

(22) Filed: **Aug. 25, 2008**

(51) **LOC (9) Cl.** **13-03**

(52) **U.S. Cl.** **D13/147**

(58) **Field of Classification Search** D13/133,
D13/146-147, 154, 184; D14/256; 439/188,
439/256, 344, 607-610, 676

See application file for complete search history.

(56) **References Cited**

U.S. PATENT DOCUMENTS

D418,109 S * 12/1999 Lok D13/133
D447,733 S * 9/2001 Ma et al. D13/147
6,364,694 B1 * 4/2002 Lien 439/489
6,368,160 B2 * 4/2002 Chang 439/676

D461,450 S * 8/2002 Cheng et al. D13/133
D461,776 S * 8/2002 Chen et al. D13/147
D467,228 S * 12/2002 Shi et al. D13/147

* cited by examiner

Primary Examiner—Daniel D Bui

(74) *Attorney, Agent, or Firm*—Rosenberg, Klein & Lee

(57) **CLAIM**

The ornamental design for a connector, as shown and described.

DESCRIPTION

FIG. 1 is a perspective view of a connector showing our new design;

FIG. 2 is a front elevational view thereof;

FIG. 3 is a rear elevational view thereof;

FIG. 4 is a left side elevational view thereof;

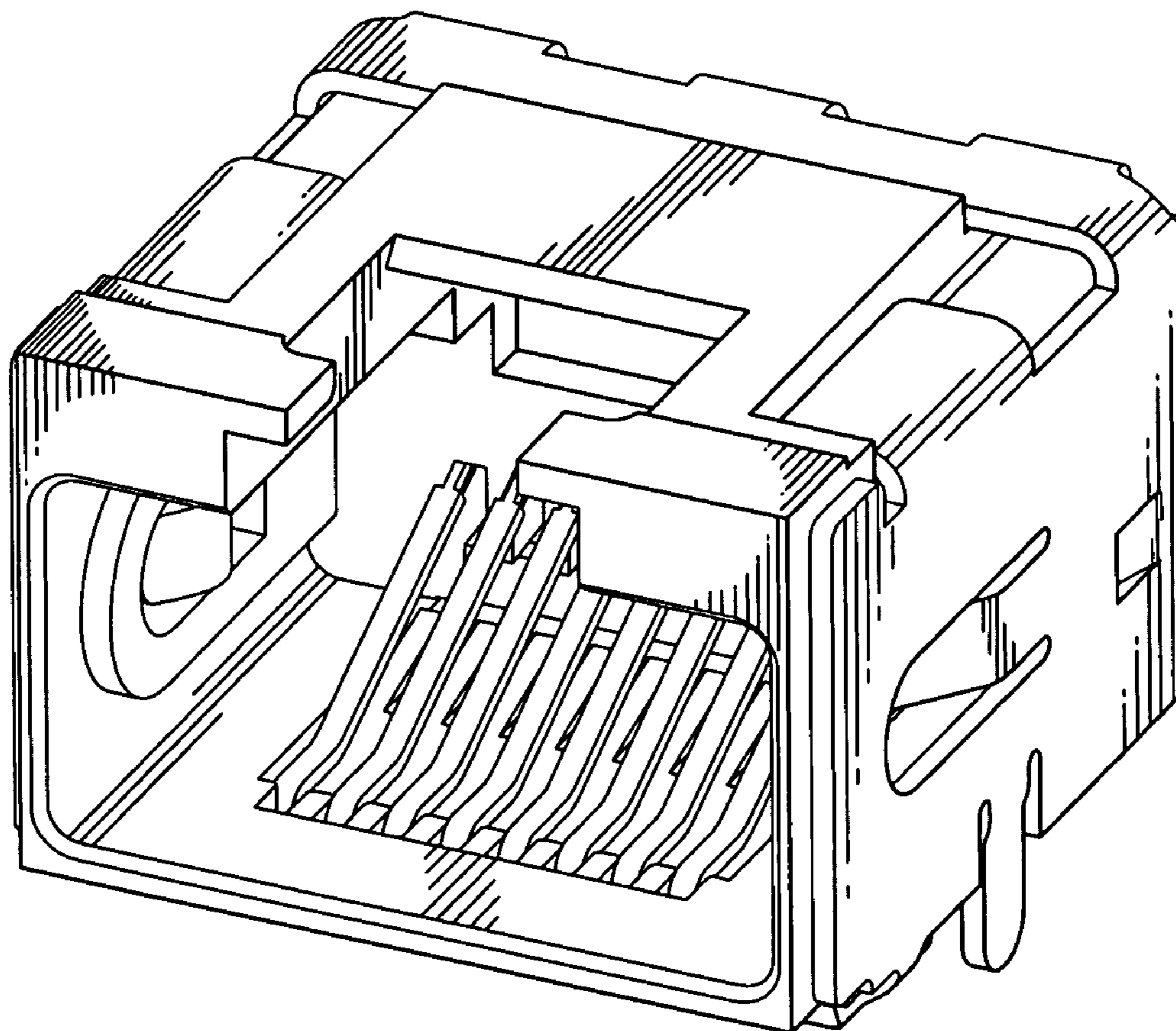
FIG. 5 is a right side elevational view thereof;

FIG. 6 is a top plan view thereof;

FIG. 7 is a bottom plan view thereof; and,

FIG. 8 is another perspective view of the connector showing our new design.

1 Claim, 8 Drawing Sheets



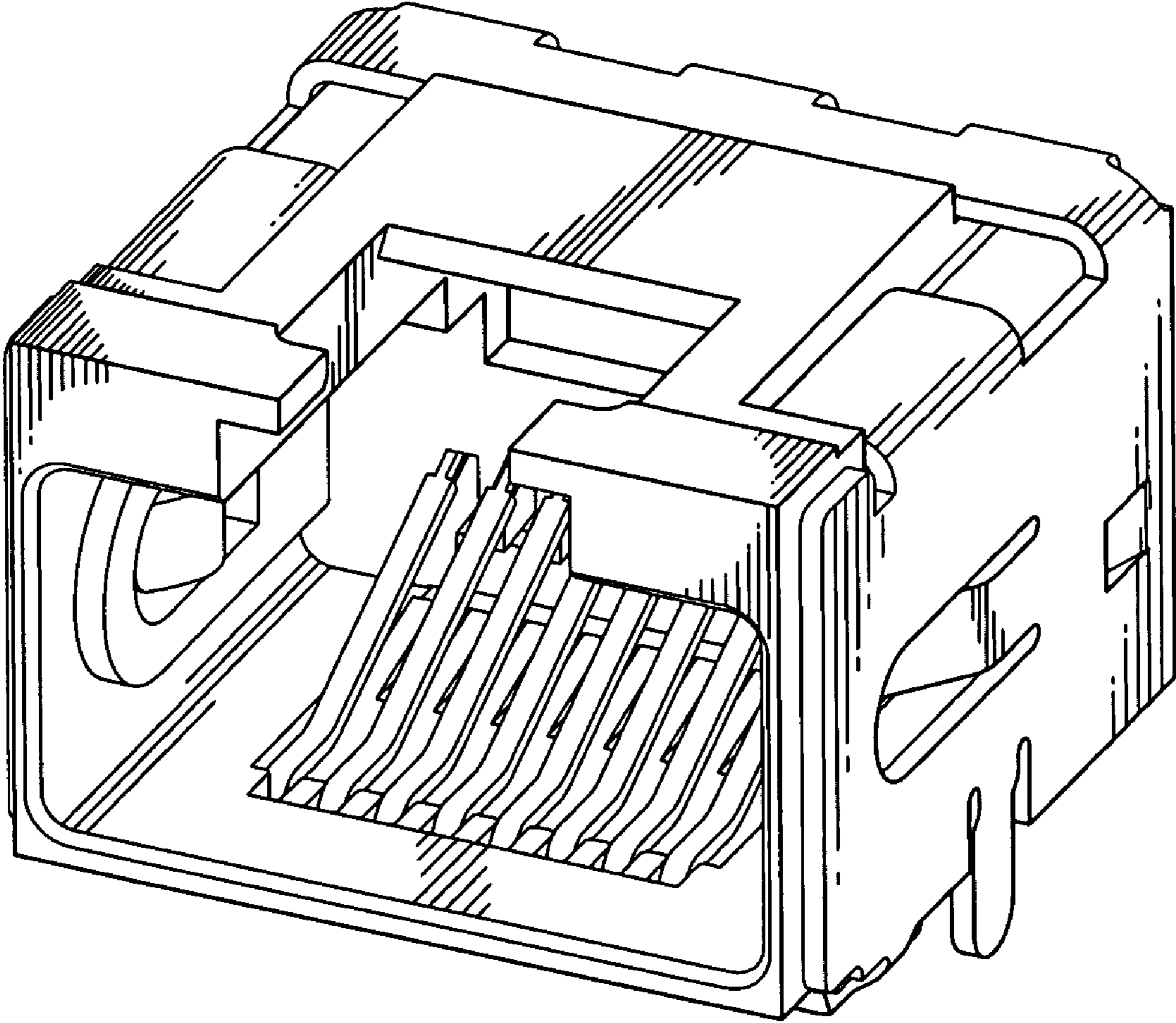


FIG. 1

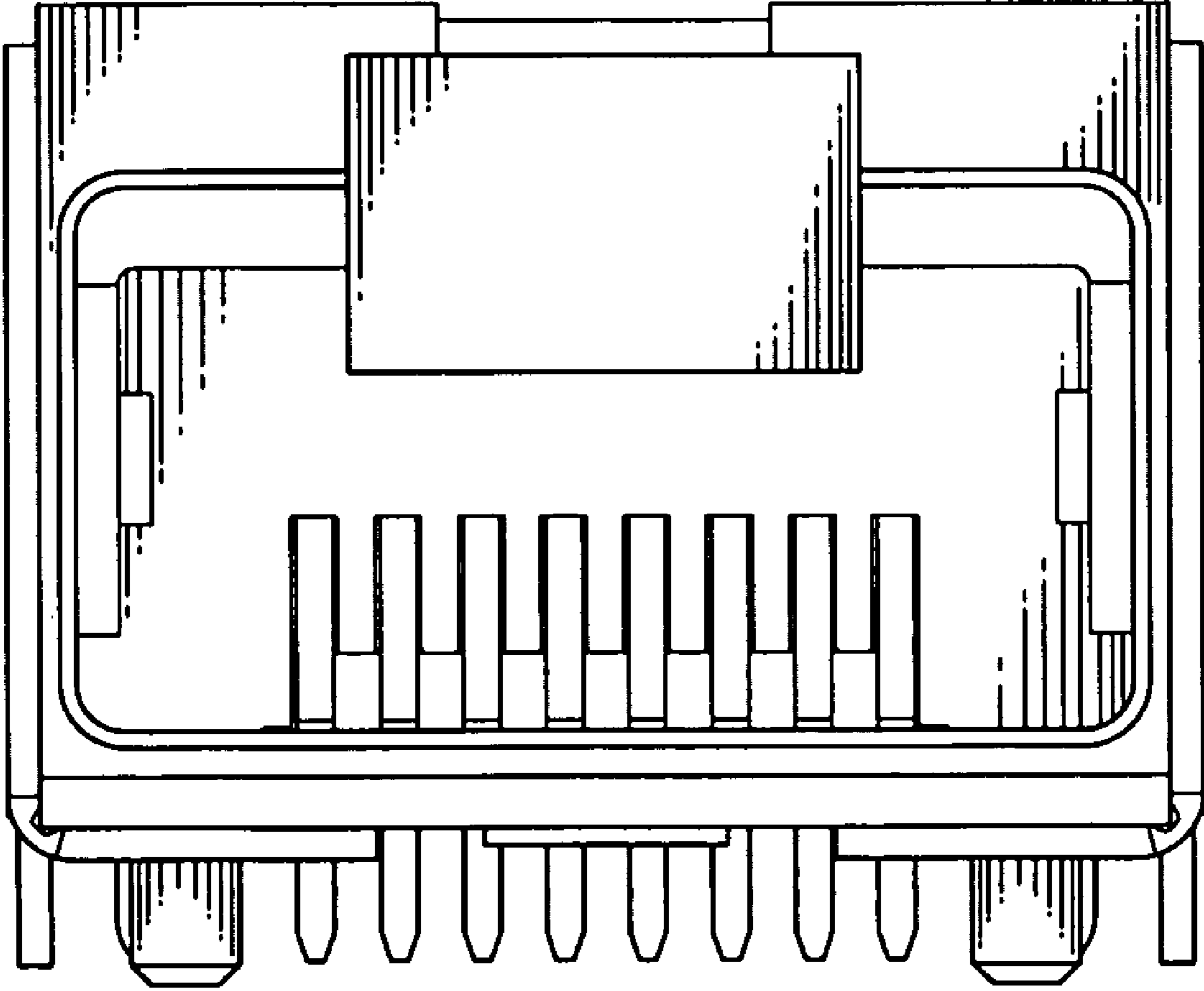


FIG. 2

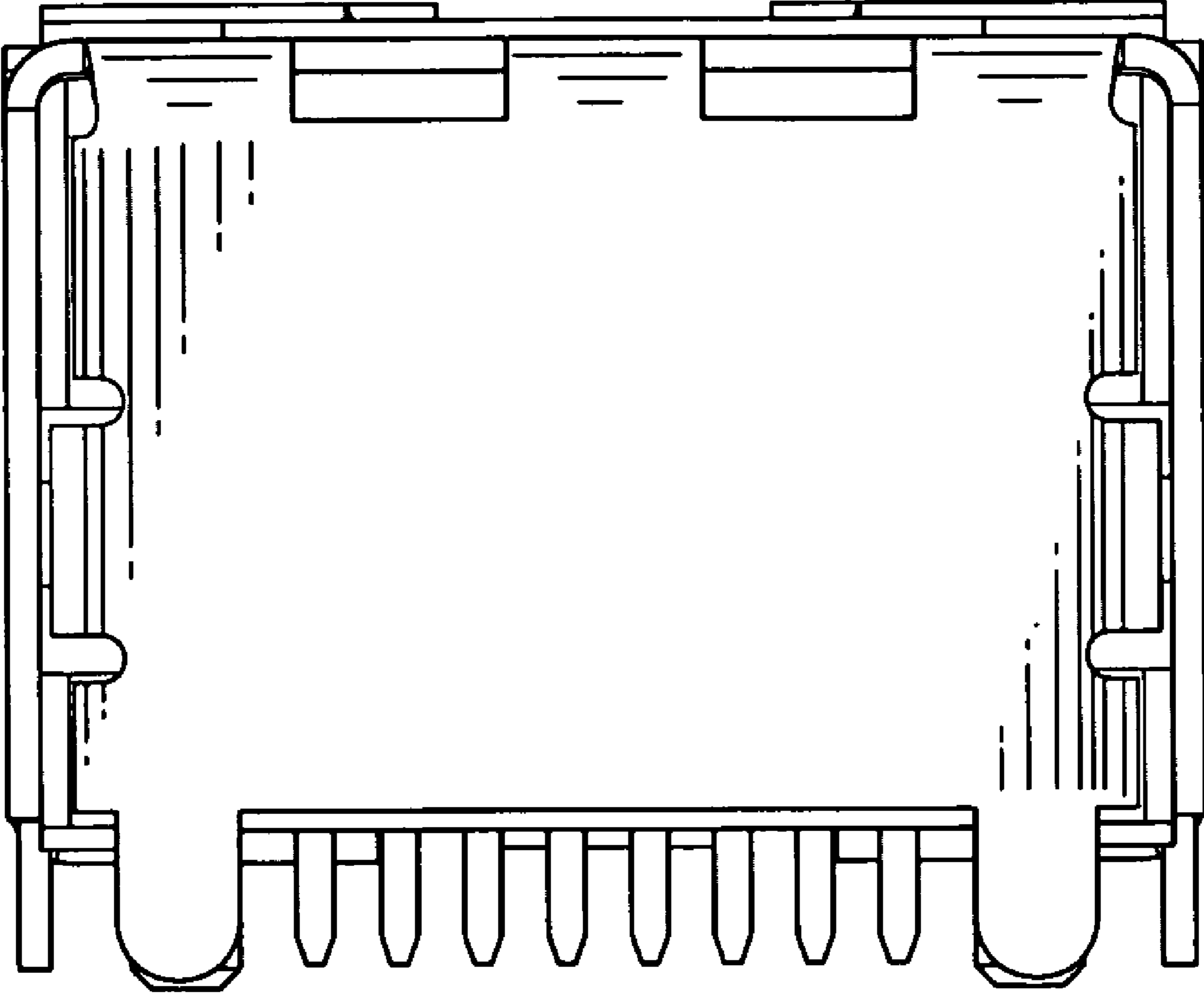


FIG. 3

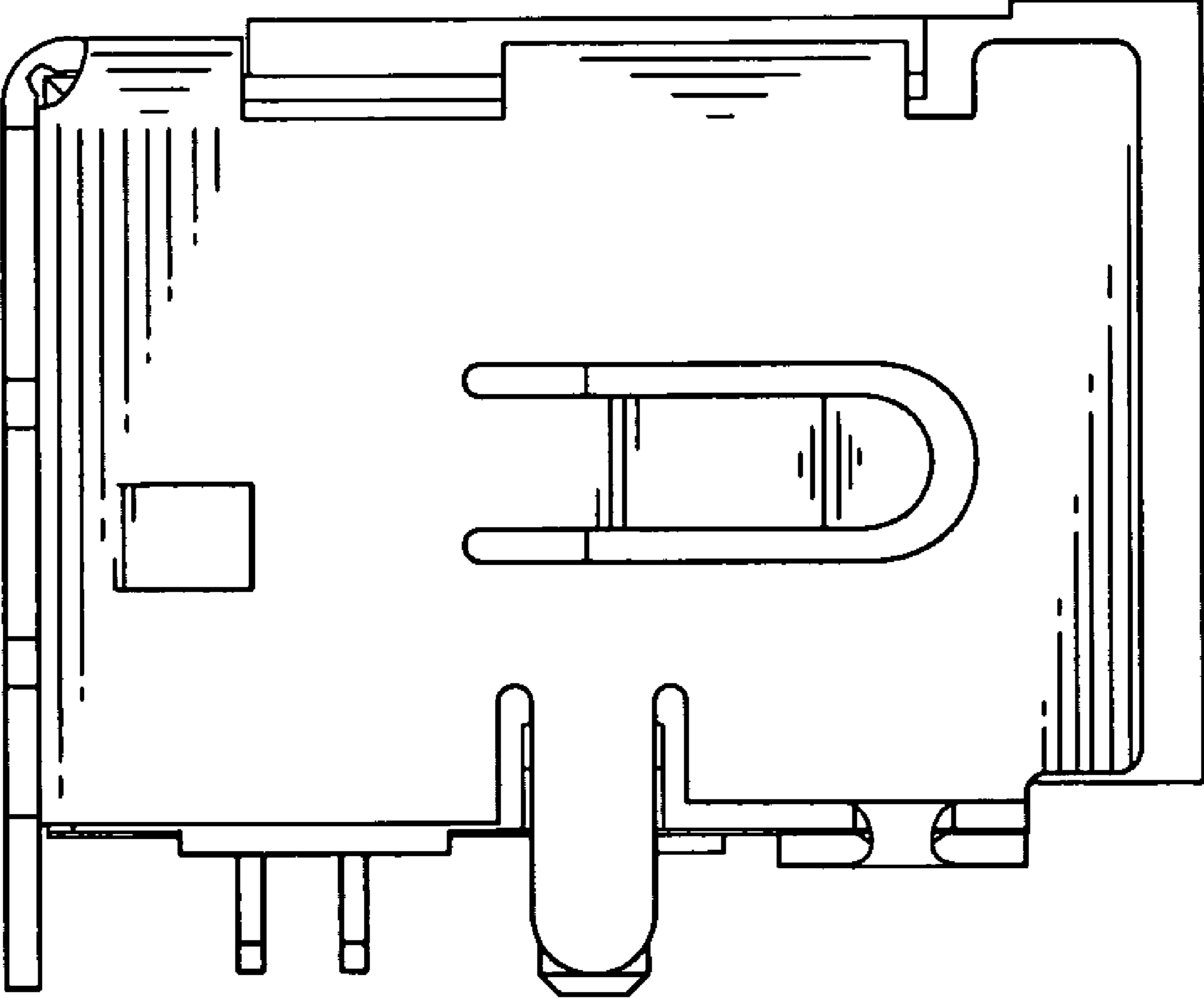


FIG. 4

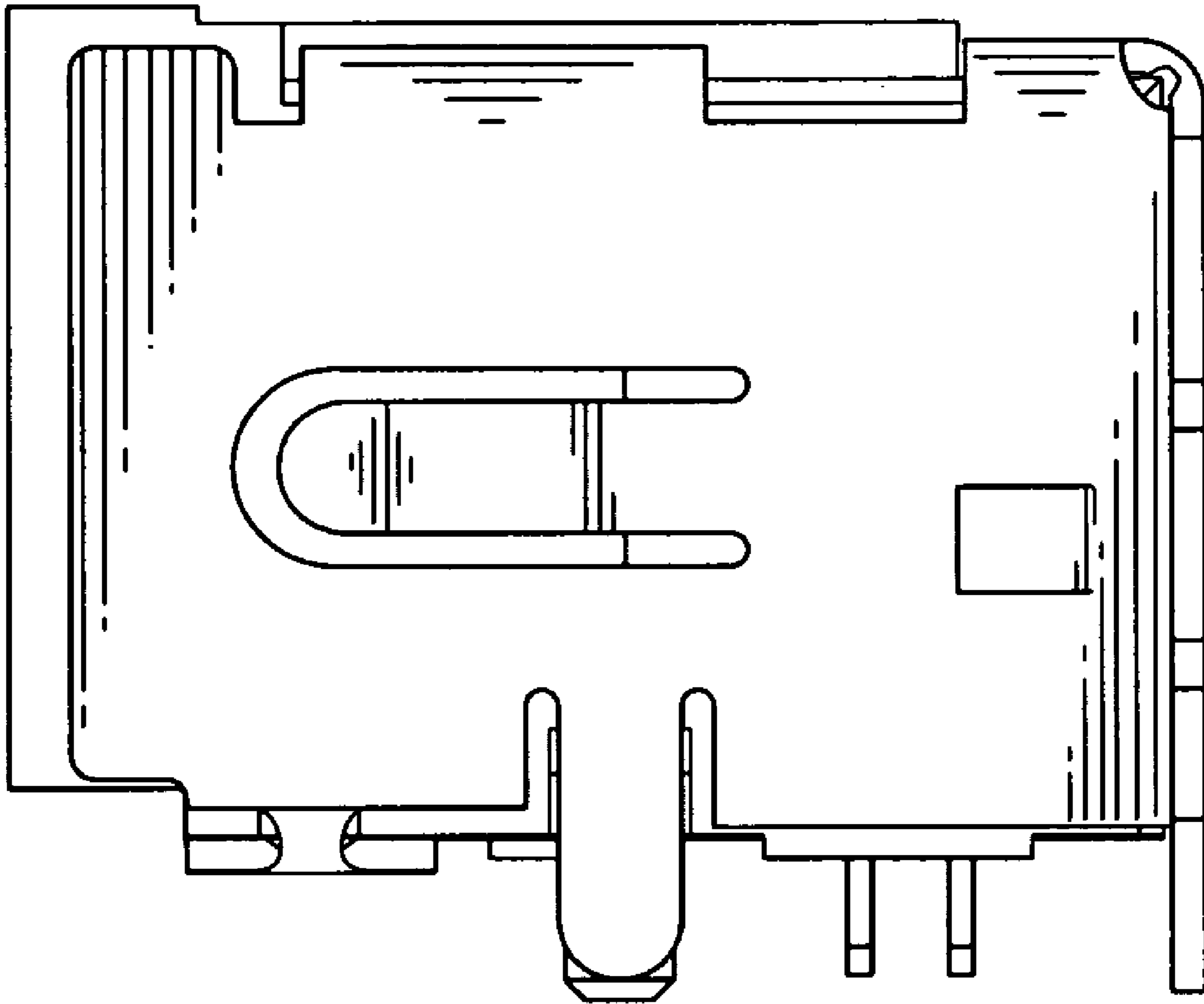


FIG. 5

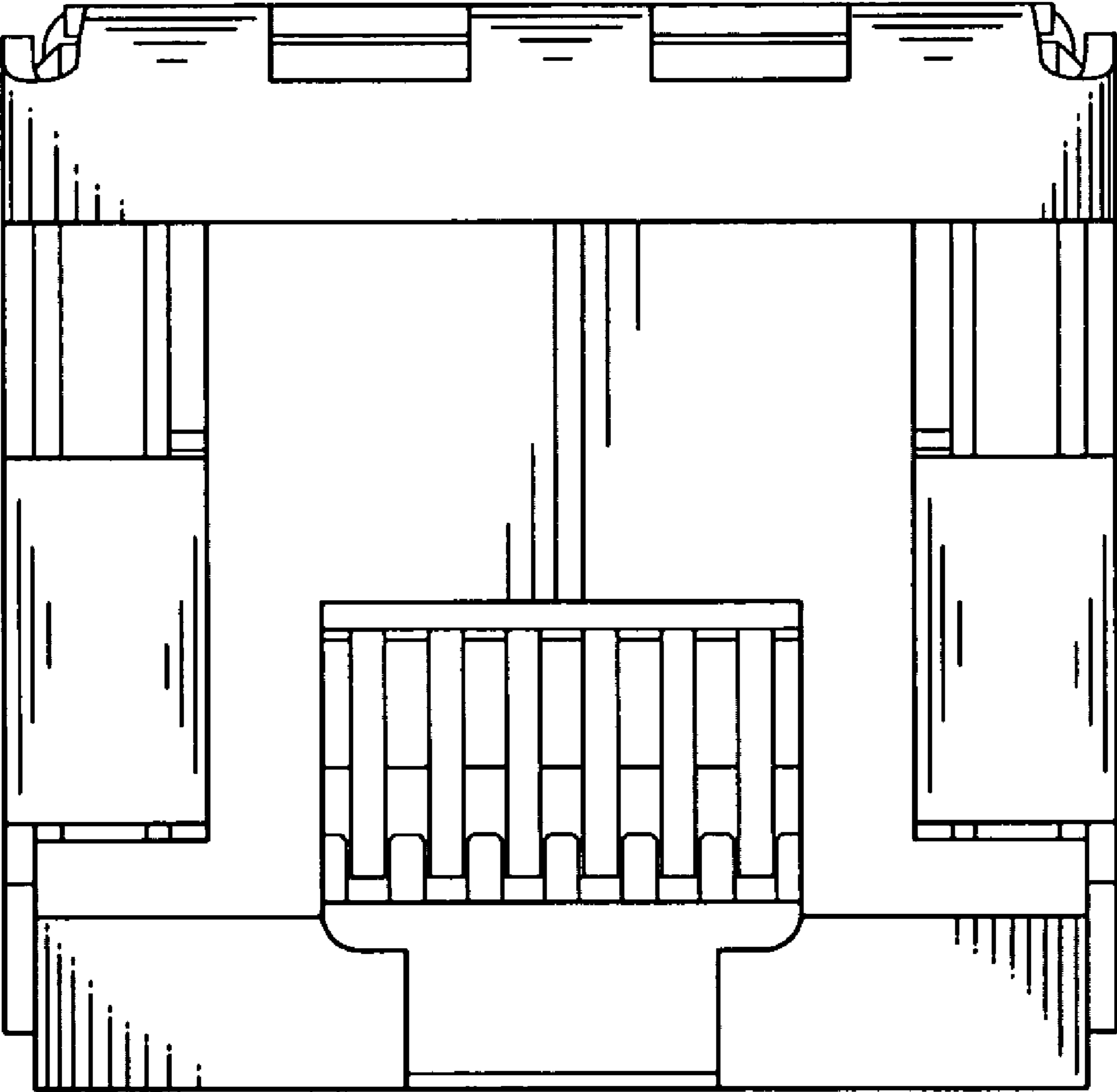


FIG. 6

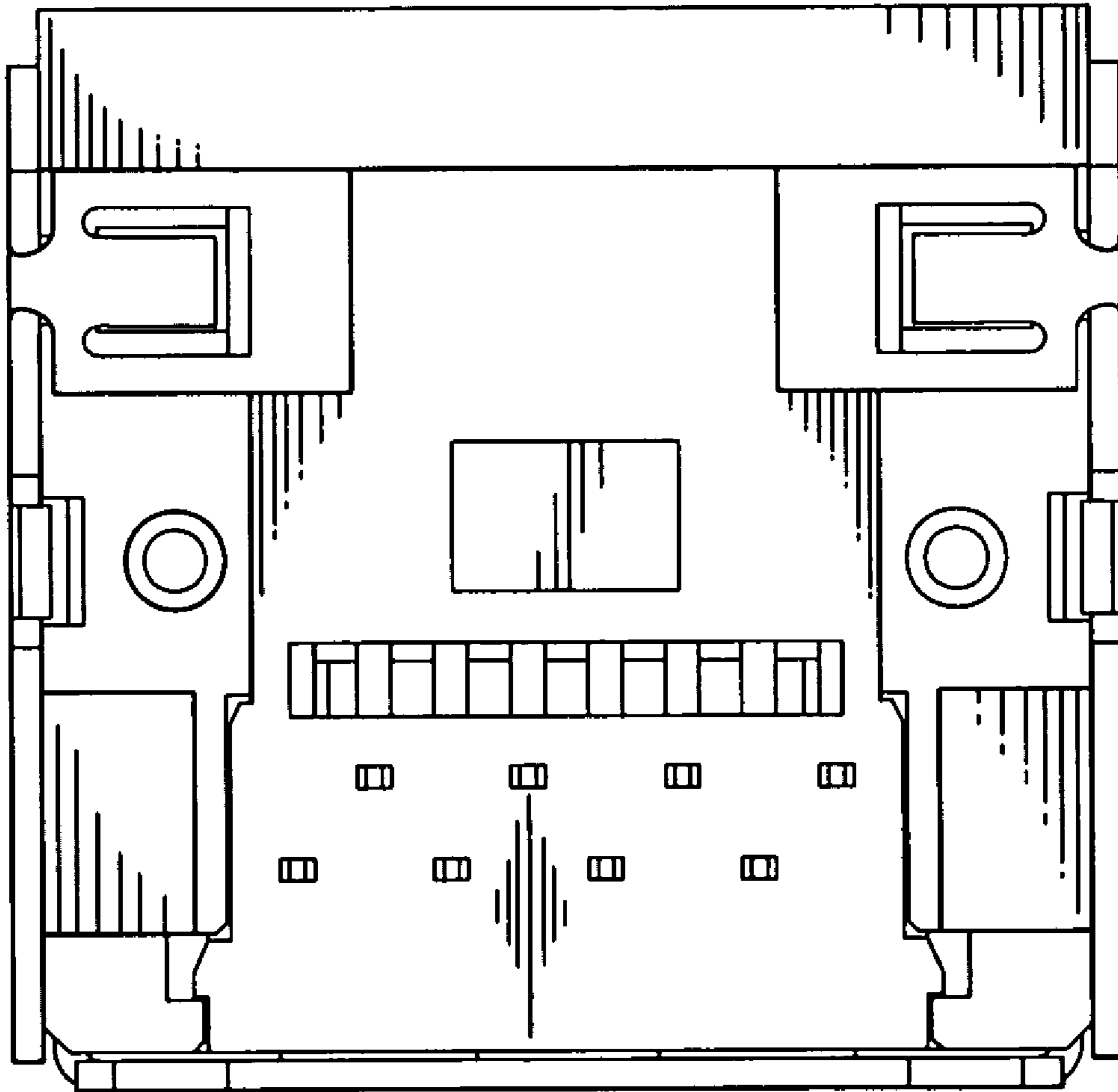


FIG. 7

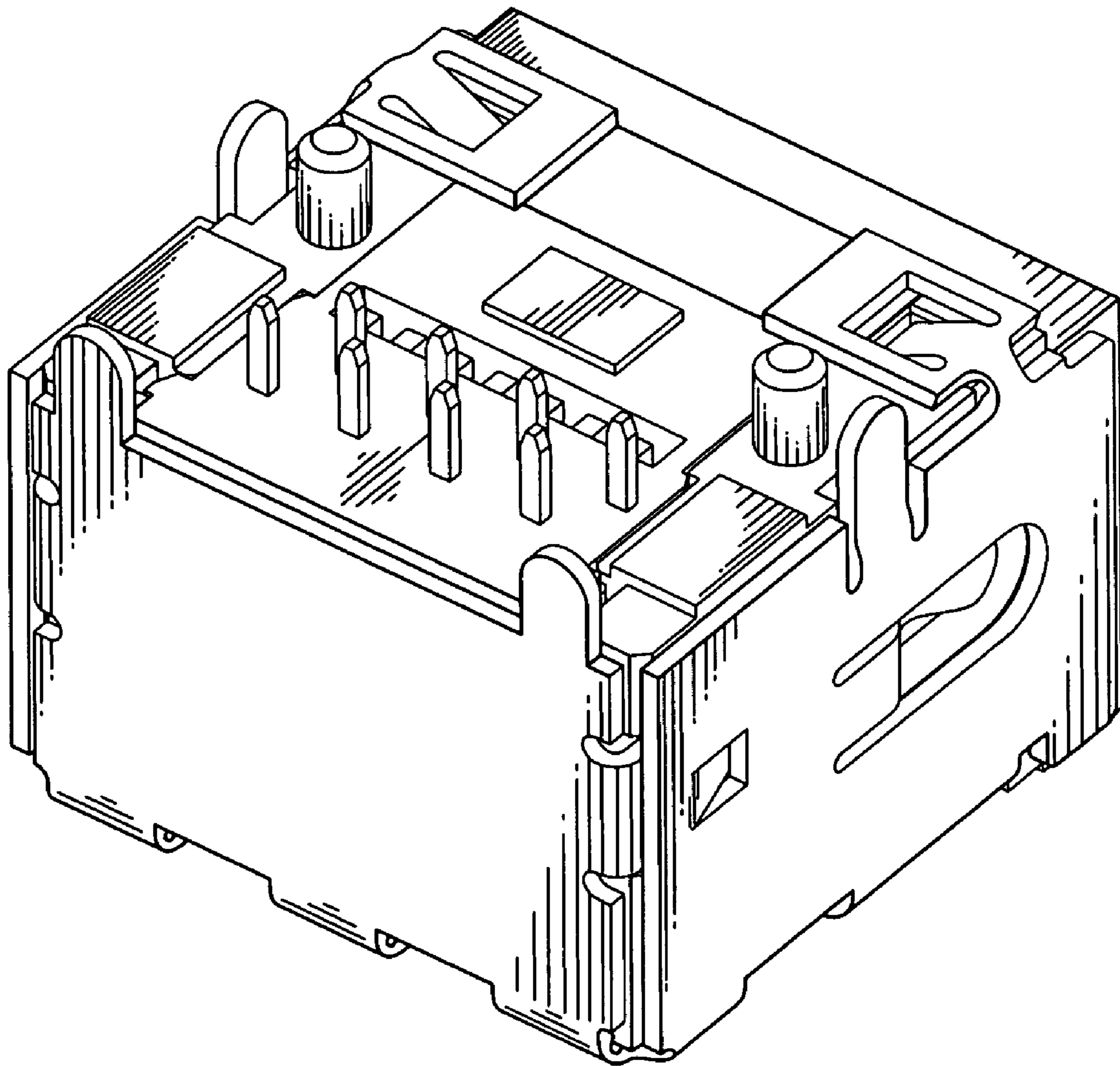


FIG. 8