



US00D605128S

(12) **United States Design Patent**
Gribble et al.

(10) **Patent No.:** **US D605,128 S**
(45) **Date of Patent:** **** Dec. 1, 2009**

(54) **INTERCONNECTION DEVICE WITH SEPARABLE INTERCONNECT**

(75) Inventors: **Christopher W. Gribble**, Westerly, RI (US); **Glenn T. Kierstead**, Coventry, CT (US)

(73) Assignee: **Hubbell Incorporated**, Orange, CT (US)

(**) Term: **14 Years**

(21) Appl. No.: **29/290,226**

(22) Filed: **Nov. 6, 2007**

(51) **LOC (9) Cl.** **13-03**

(52) **U.S. Cl.** **D13/147**

(58) **Field of Classification Search** D13/133, D13/146-147, 153, 154, 184, 79, 607-610, D13/939

See application file for complete search history.

(56) **References Cited**

U.S. PATENT DOCUMENTS

D298,312 S *	11/1988	Sekiguchi	D13/147
D310,512 S	9/1990	Tajima		
5,273,460 A *	12/1993	Arai	439/607.17
5,288,243 A	2/1994	Mergless		
5,288,248 A	2/1994	Chen		
D416,862 S	11/1999	Chiou		
5,984,727 A	11/1999	Wu et al.		
D434,005 S *	11/2000	Arai	D13/146

D439,563 S	3/2001	Shimojo		
D451,473 S	12/2001	Goto		
D456,010 S	4/2002	Goto		
D576,554 S *	9/2008	Sun	D13/146
2007/0037442 A1	2/2007	Sullivan et al.		

* cited by examiner

Primary Examiner—Daniel D Bui

(74) *Attorney, Agent, or Firm*—Jenae C. Gureff; Mark S. Bicks; Alfred N. Goodman

(57) **CLAIM**

The ornamental design for the interconnection device with separable interconnect, as shown and described.

DESCRIPTION

FIG. 1 is a front, top and right side perspective view of an interconnection device with separable interconnect showing our new design;

FIG. 2 is a front elevational view thereof;

FIG. 3 is a rear elevational view thereof;

FIG. 4 is a right side elevational view thereof;

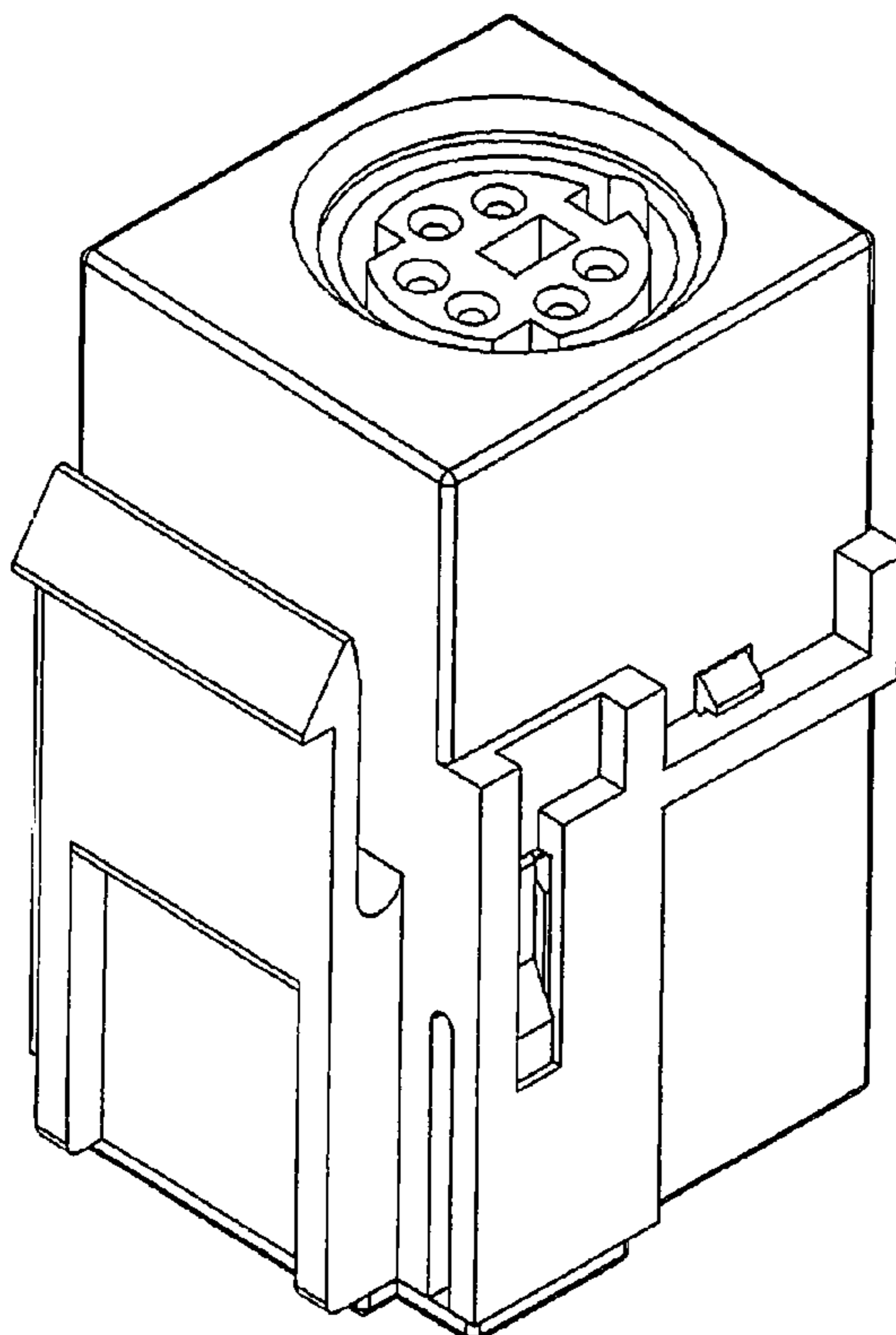
FIG. 5 is a left side elevational view thereof;

FIG. 6 is a top plan view thereof; and,

FIG. 7 is a bottom plan view thereof.

The broken lines are shown for illustrative purposes only and form no part of the claimed design.

1 Claim, 3 Drawing Sheets



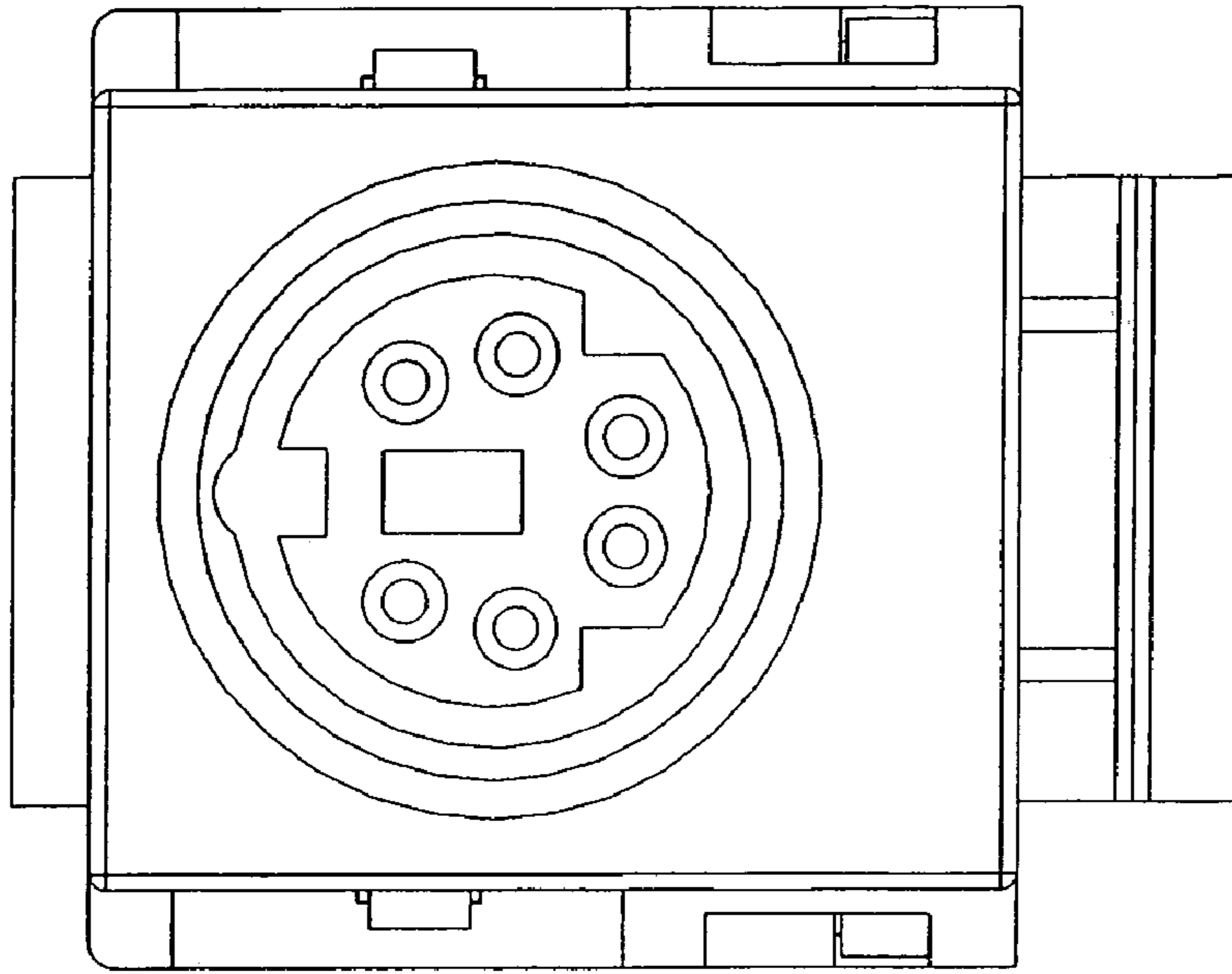


FIG. 2

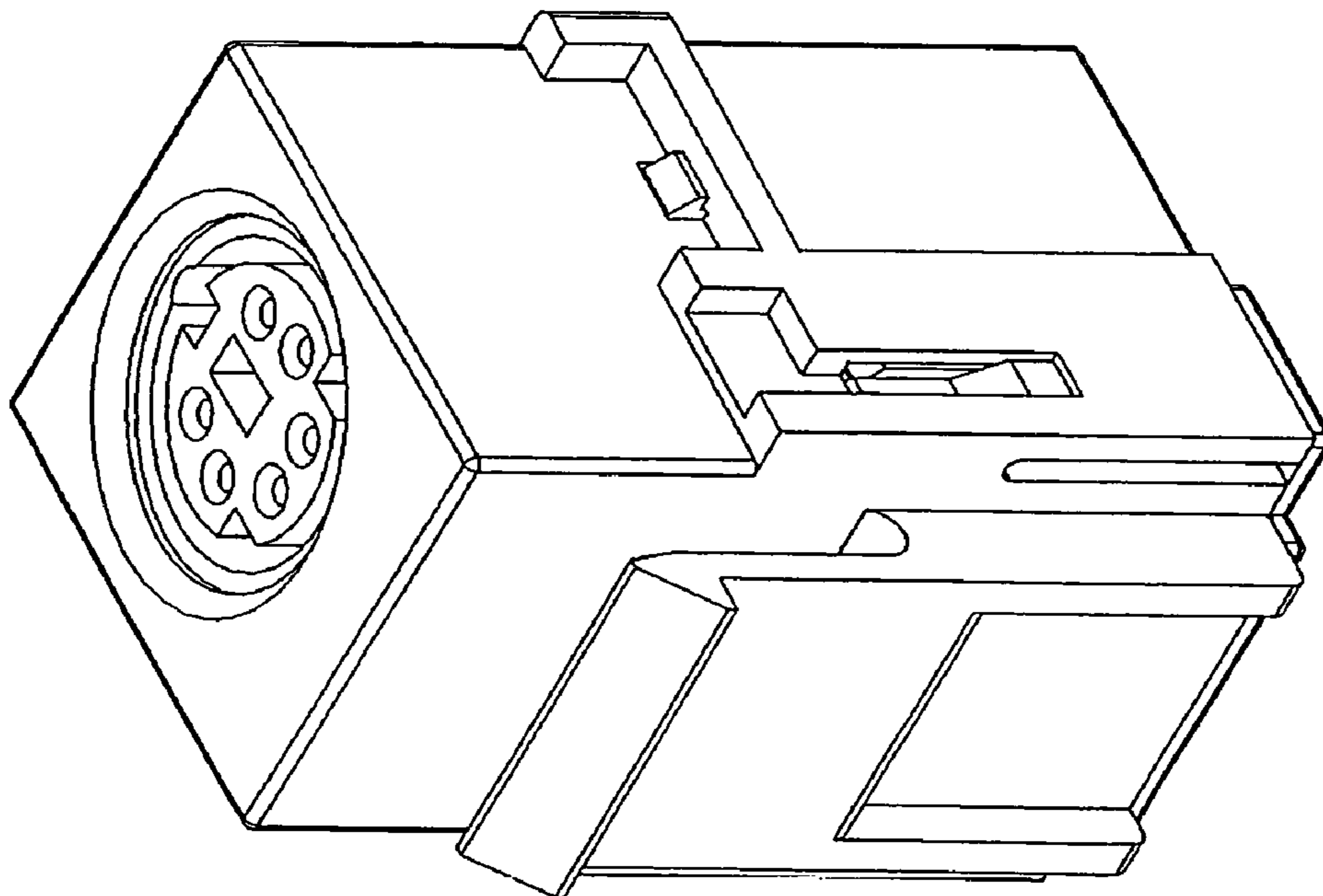


FIG. 1

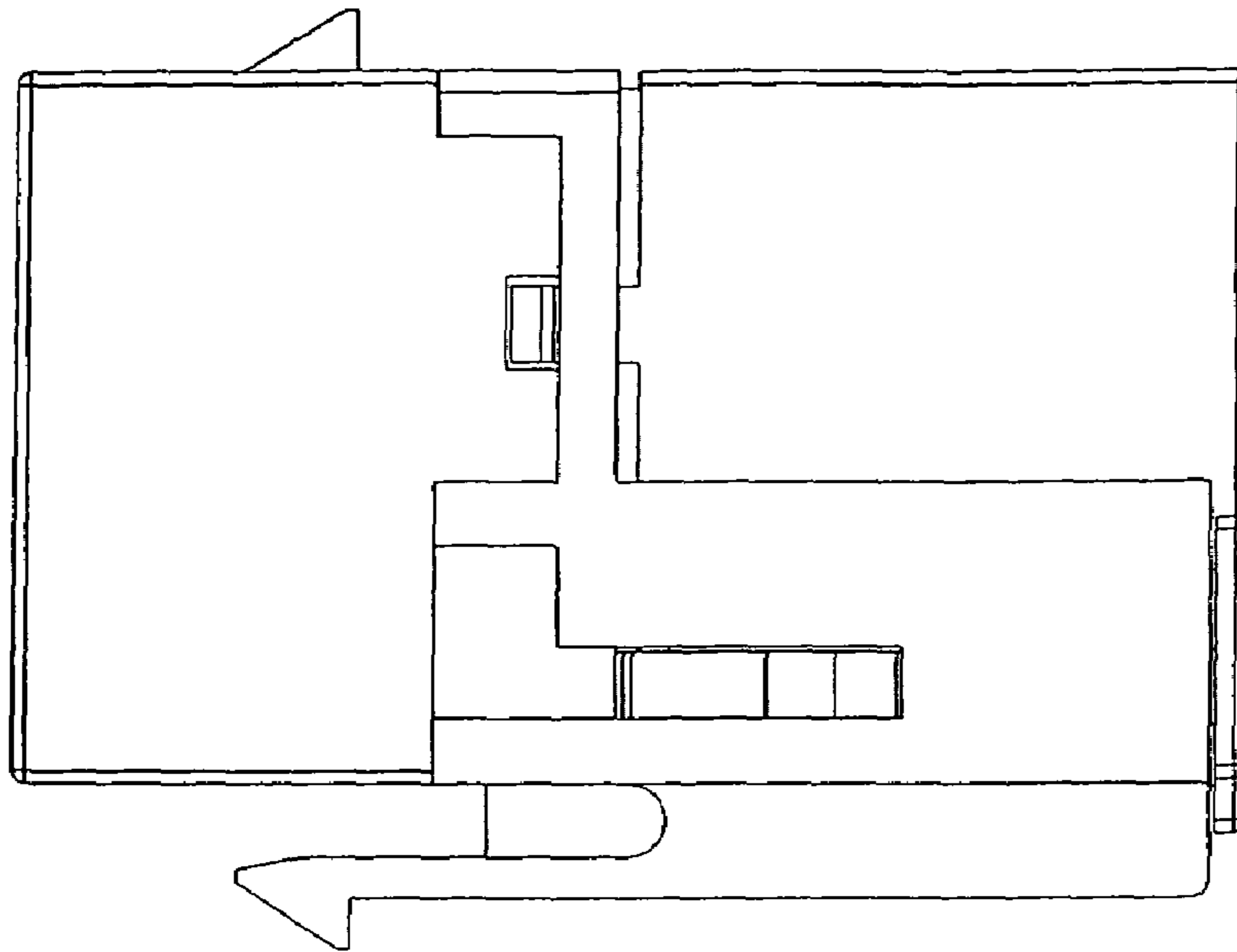


FIG. 4

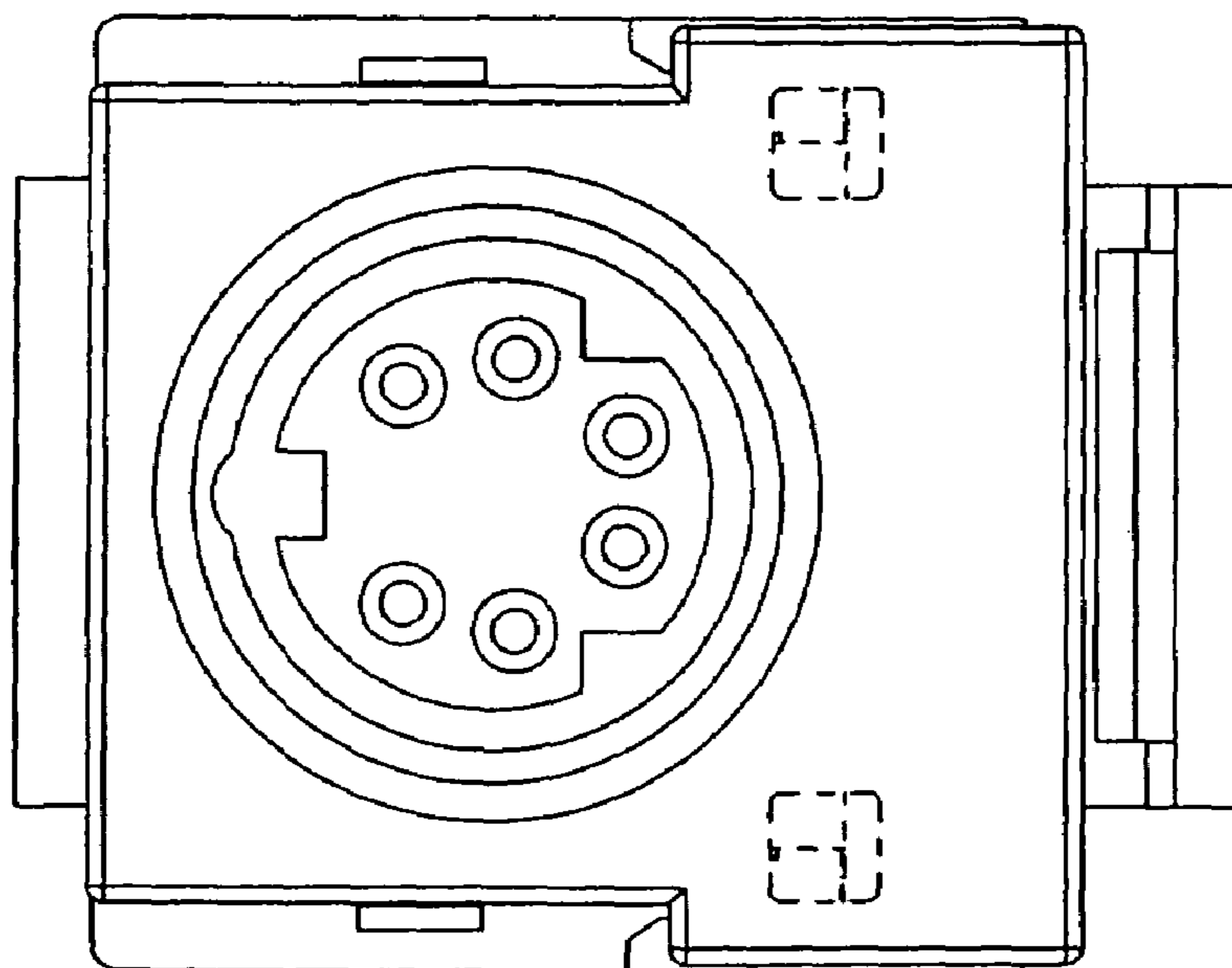


FIG. 3

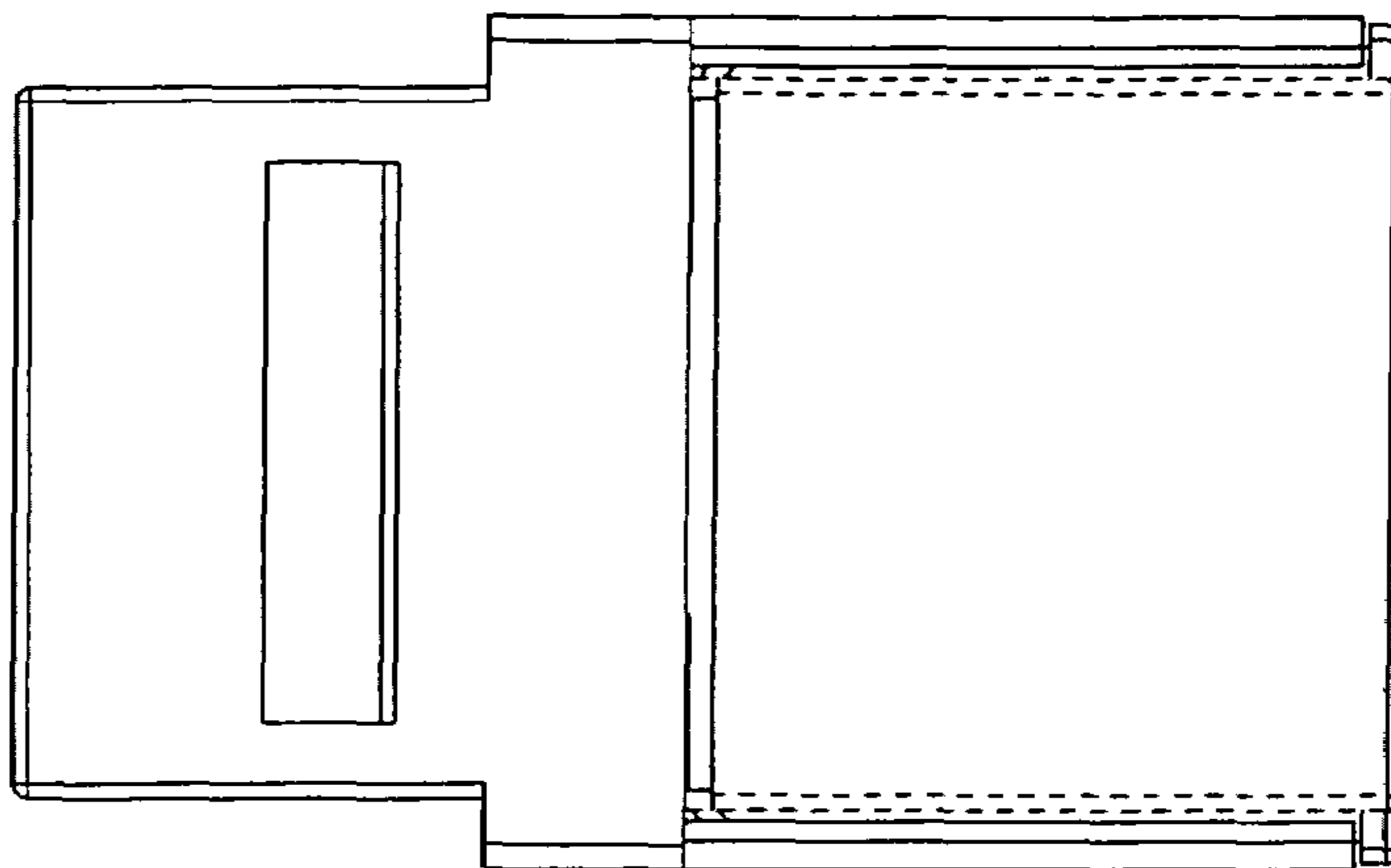


FIG. 7

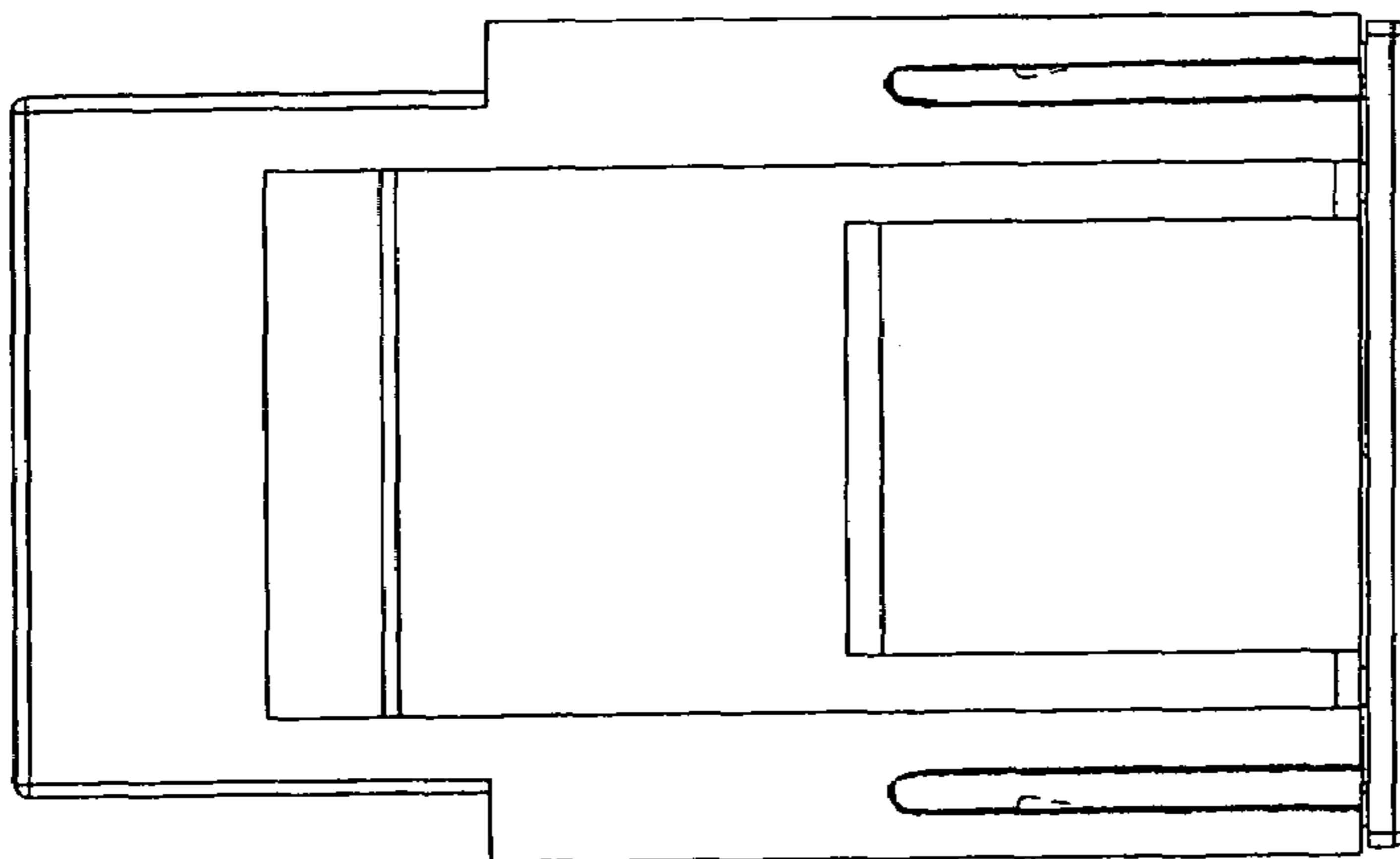


FIG. 6

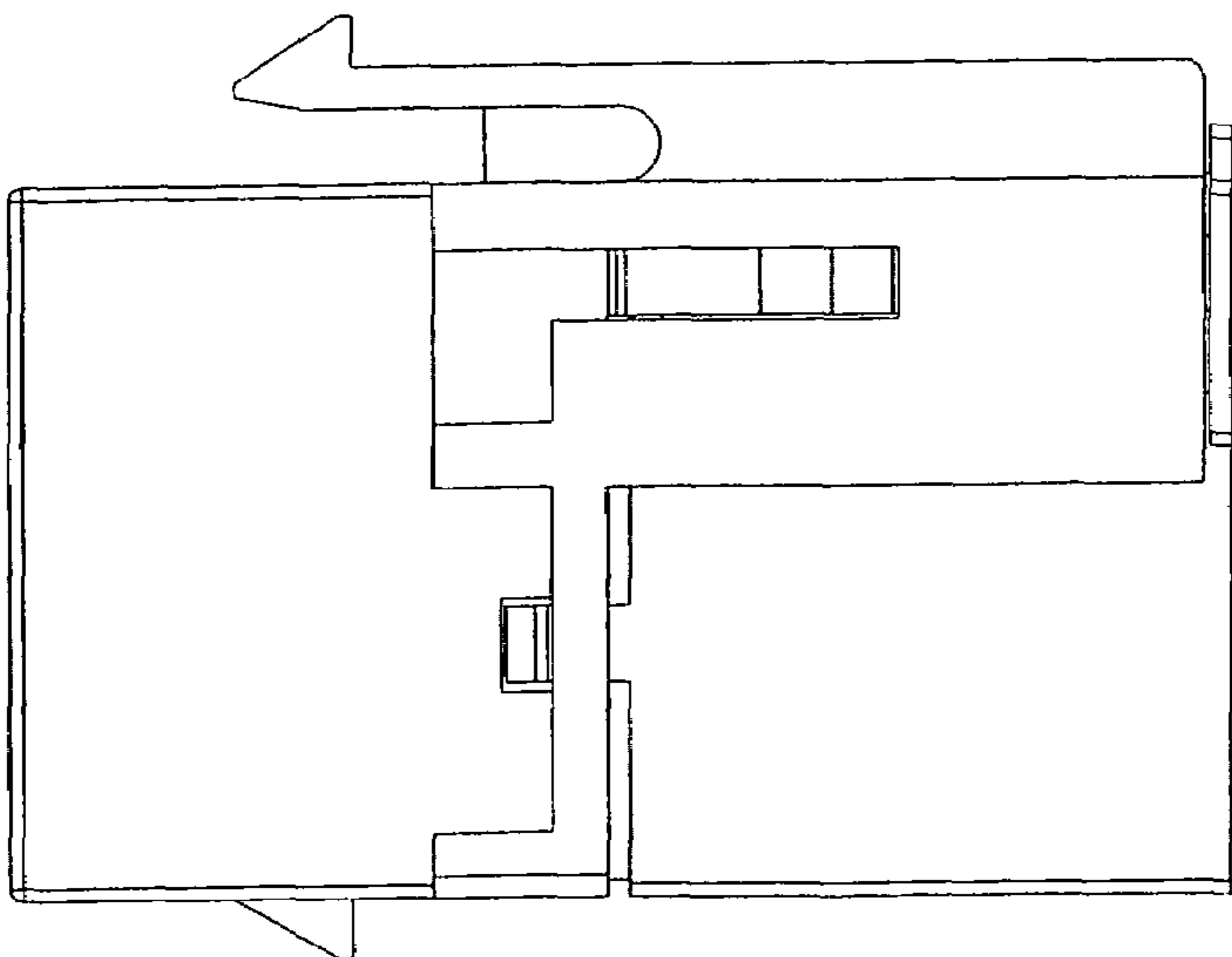


FIG. 5