



US00D605127S

(12) **United States Design Patent**
Yasuda et al.

(10) **Patent No.:** **US D605,127 S**
(45) **Date of Patent:** **** Dec. 1, 2009**

(54) **MODULE FOR OPTICAL WIRING,
CONNECTOR FOR OPTICAL WIRING, AND
CONNECTOR FOR OPTICAL WIRING WITH
MODULE FOR OPTICAL WIRING**

(75) Inventors: **Naru Yasuda**, Uji (JP); **Hiroto Nozawa**,
Yokohama (JP); **Hiroshi Sameshima**,
Nara (JP); **Akira Enami**, Nara (JP);
Yoshihisa Ishida, Nara (JP)

(73) Assignee: **Omron Corporation**, Kyoto (JP)

(**) Term: **14 Years**

(21) Appl. No.: **29/278,681**

(22) Filed: **Apr. 5, 2007**

(30) **Foreign Application Priority Data**

Oct. 6, 2006 (JP) D2006-027166
Oct. 6, 2006 (JP) D2006-027167
Oct. 6, 2006 (JP) D2006-027168

(51) **LOC (9) Cl.** **13-03**

(52) **U.S. Cl.** **D13/147**

(58) **Field of Classification Search** D13/147,
D13/154, 184; D14/433, 435, 436, 438;
439/64, 79, 108, 159-160, 260, 325-326,
439/329, 395, 607-610

See application file for complete search history.

(56) **References Cited**

U.S. PATENT DOCUMENTS

D502,921 S * 3/2005 Zhang et al. D13/147

D528,987 S * 9/2006 Peng D13/147
D562,244 S * 2/2008 Peng D13/147

FOREIGN PATENT DOCUMENTS

JP D2006-3001 2/2006
JP D2006-3002 2/2006
JP D2006-3003 2/2006

* cited by examiner

Primary Examiner—Daniel D Bui

(74) *Attorney, Agent, or Firm*—Harness, Dickey & Pierce,
P.L.C.

(57) **CLAIM**

The ornamental design for an module for optical wiring,
connector for optical wiring, and connector for optical wiring
with module for optical wiring, as shown and described.

DESCRIPTION

FIG. 1 is a front perspective view of a module for optical
wiring showing our new design;

FIG. 2 is a rear perspective view thereof;

FIG. 3 is a front elevational view thereof;

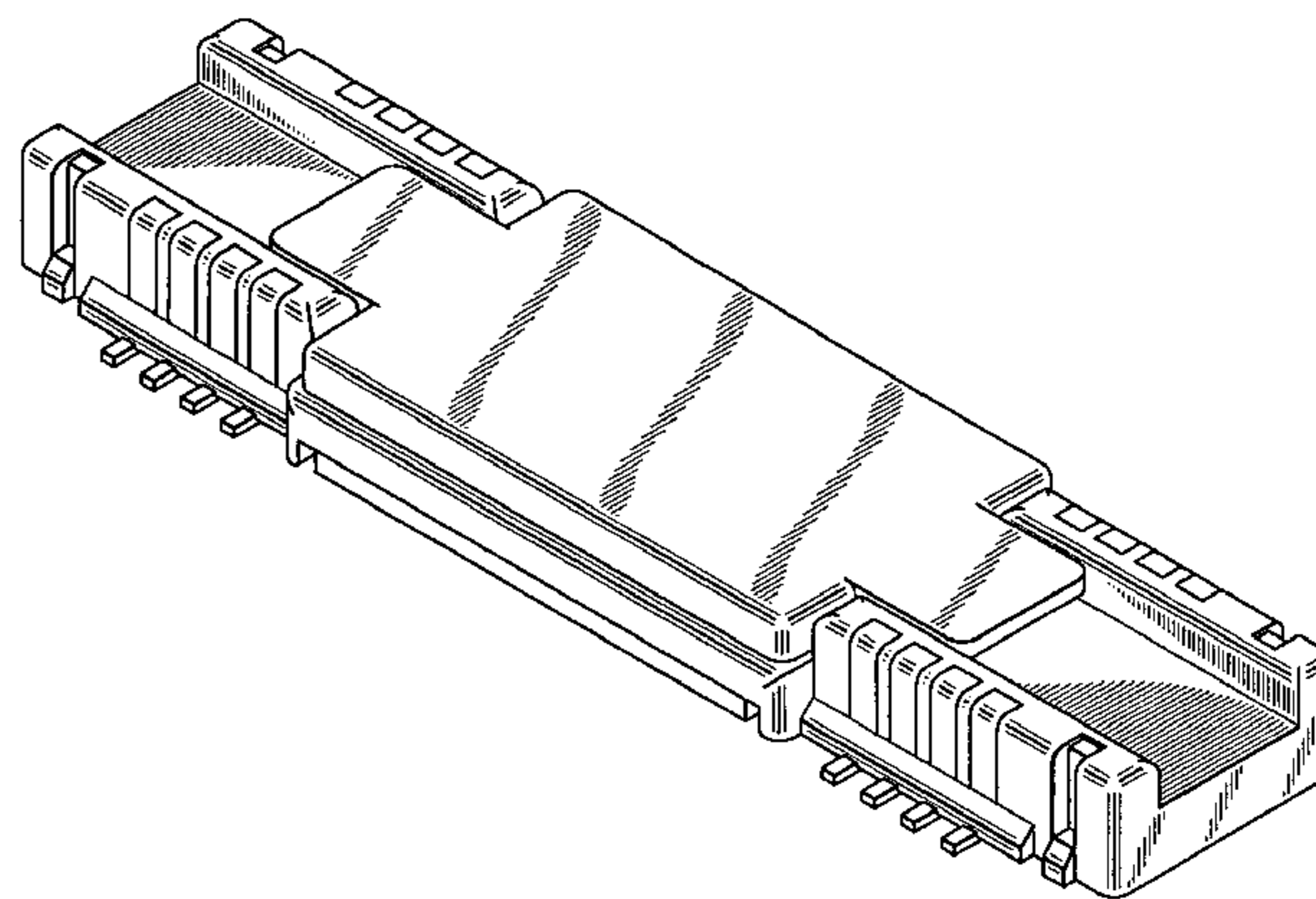
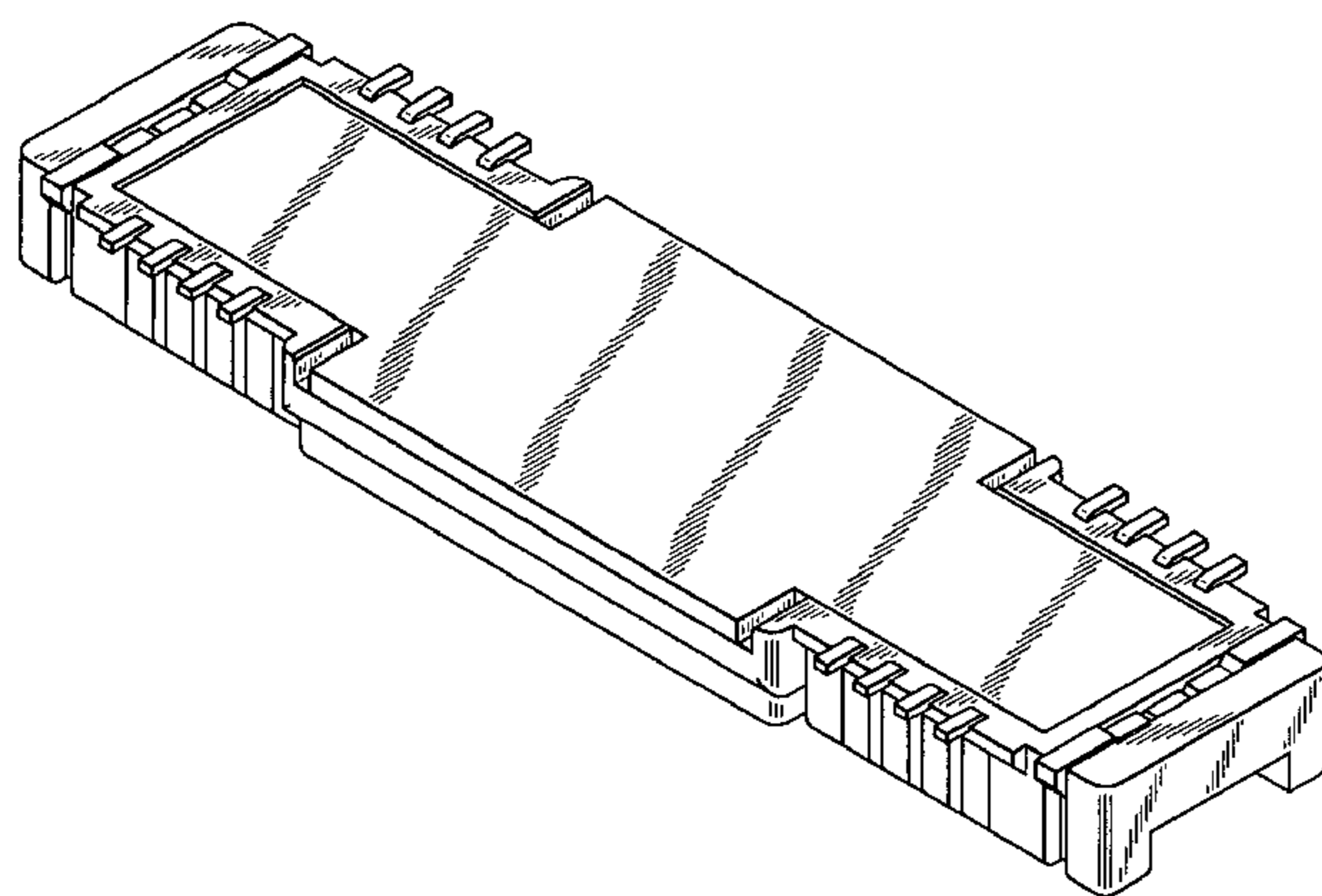
FIG. 4 is a rear elevational view thereof;

FIG. 5 is a top plan view thereof, the bottom plan view being
a mirror image thereof;

FIG. 6 is a right side elevational view thereof, the left side
elevational view being a mirror image thereof; and,

FIG. 7 is an enlarged cross sectional view taken along a line
7—7 shown in FIG. 3 thereof.

1 Claim, 6 Drawing Sheets



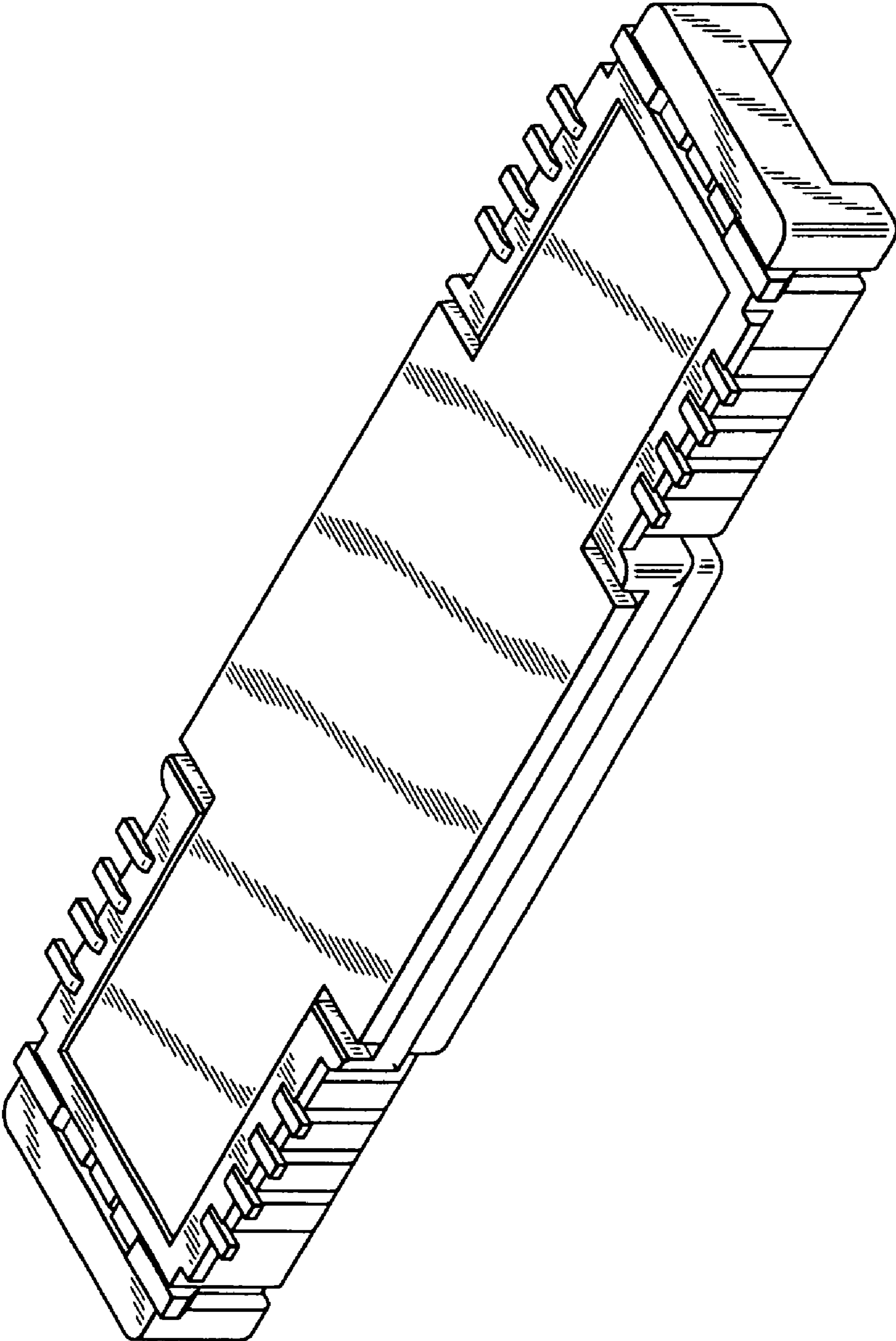


Fig. 1

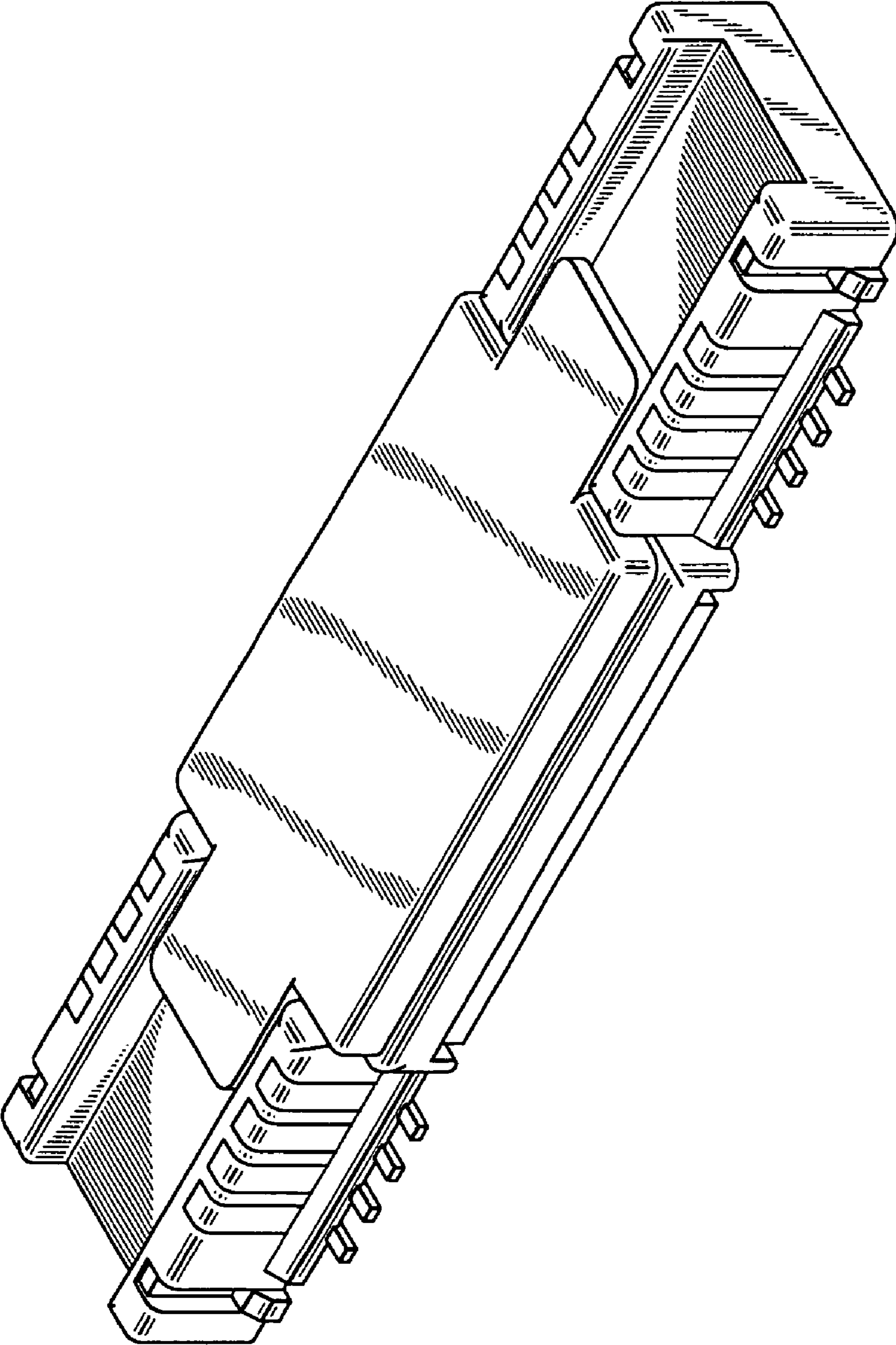


Fig. 2

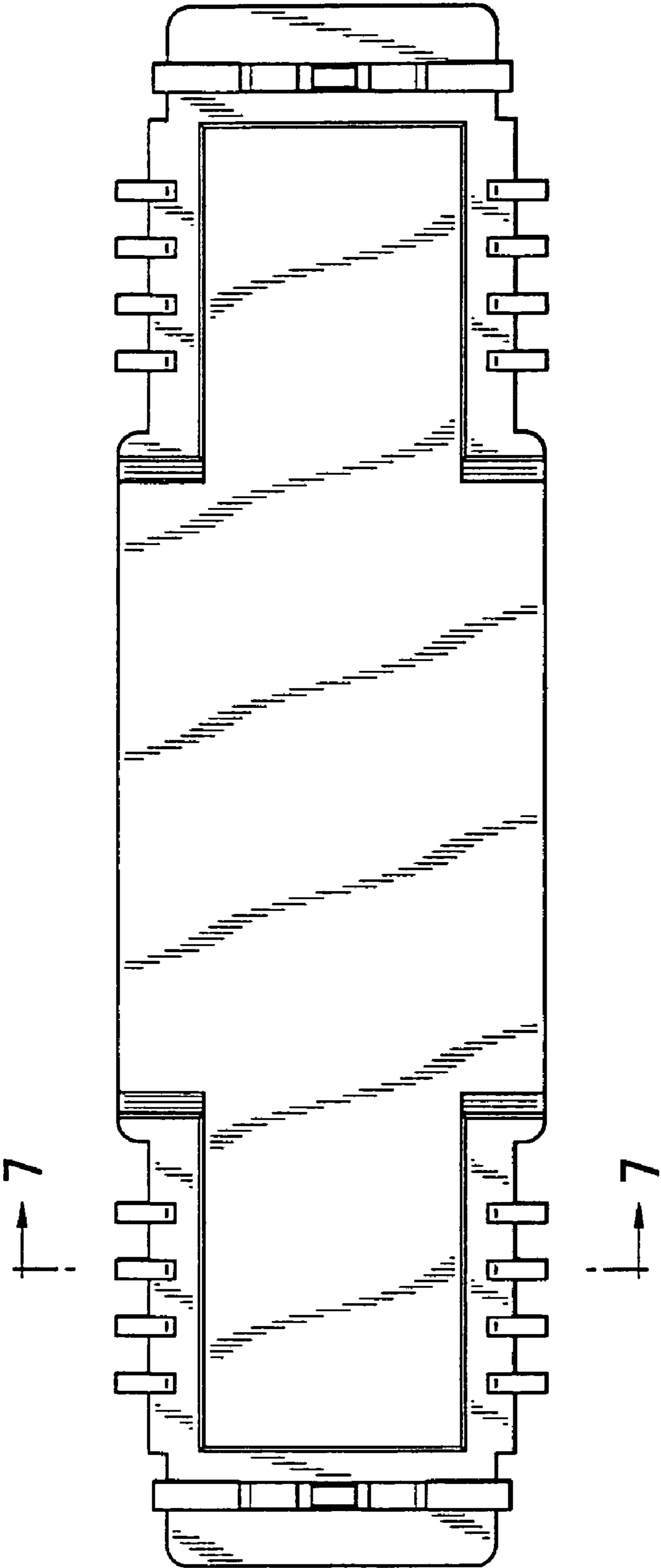


Fig. 3

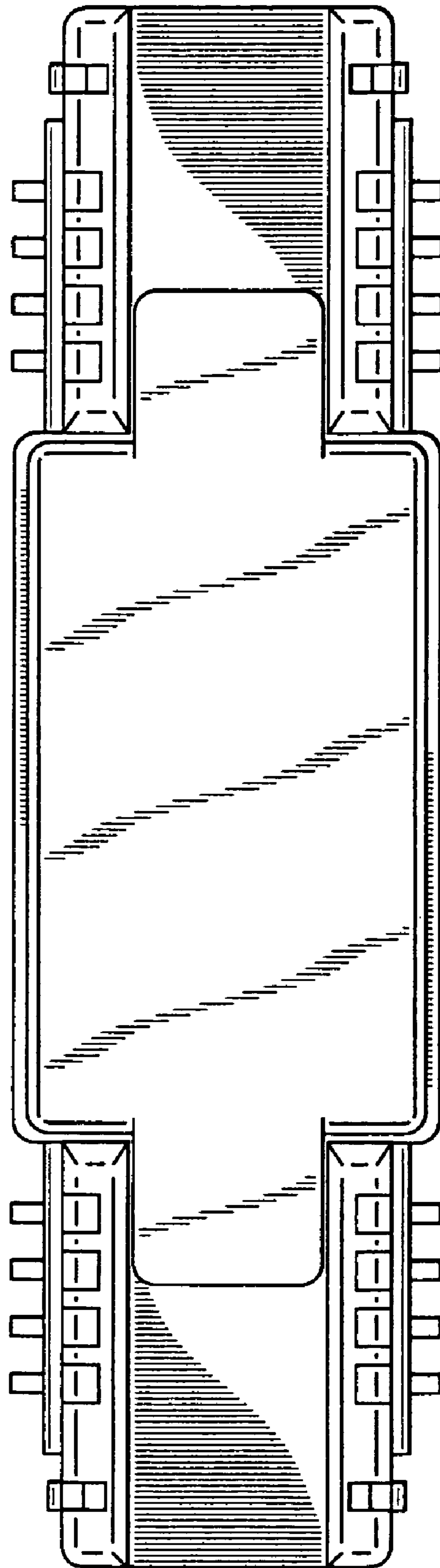


Fig. 4

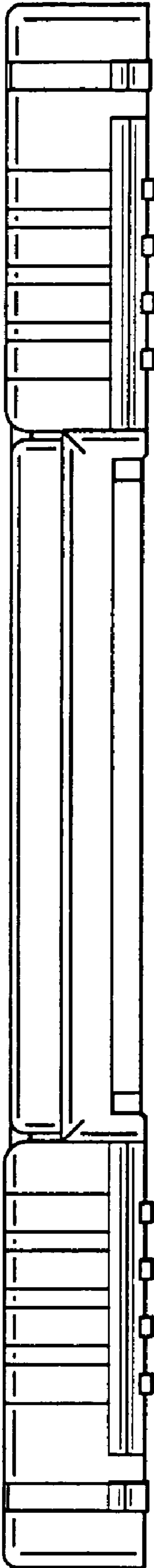


Fig. 5

Fig. 7

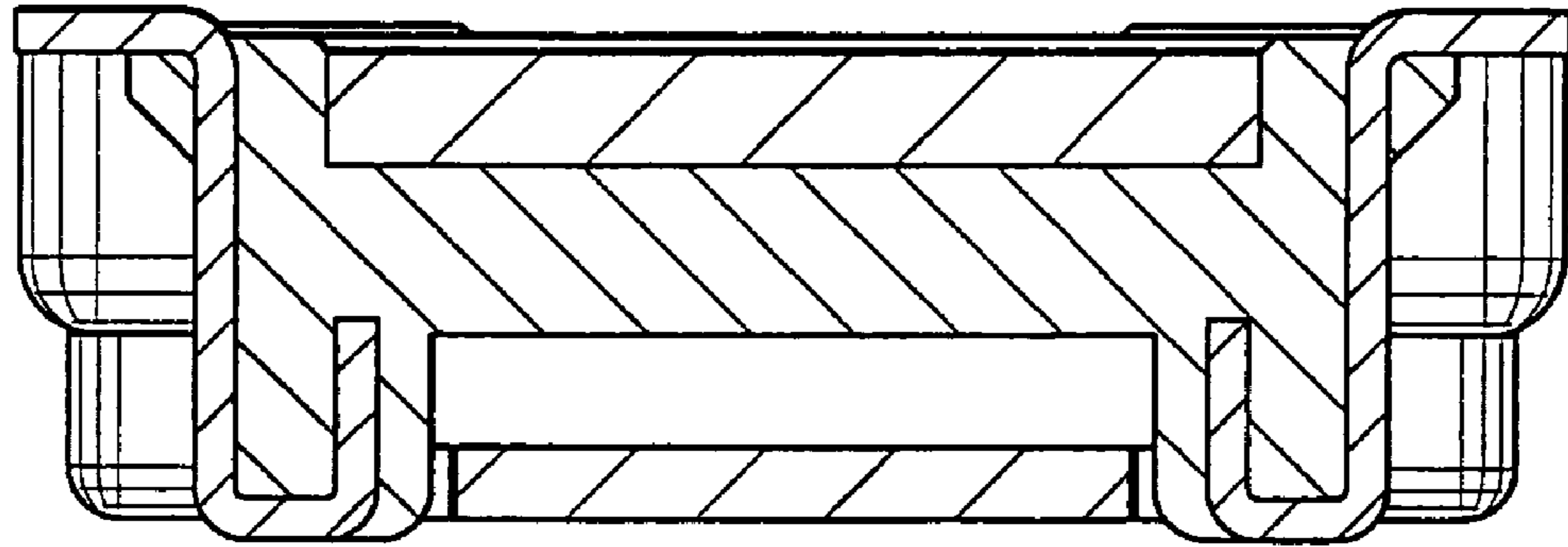


Fig. 6

