



US00D605121S

(12) **United States Design Patent**
Dennes et al.

(10) **Patent No.:** **US D605,121 S**
(45) **Date of Patent:** **** *Dec. 1, 2009**

(54) **ELECTRICAL CONNECTOR**

(75) Inventors: **Wayne William Dennes**, Wyoming (AU); **Jeffrey Allan Glen**, Brichgrove (AU)

(73) Assignee: **ADC GmbH**, Berlin (DE)

(**) Term: **14 Years**

(21) Appl. No.: **29/297,084**

(22) Filed: **Nov. 2, 2007**

(30) **Foreign Application Priority Data**

May 7, 2007 (AU) 17797/2007

(51) **LOC (9) Cl.** **13-03**

(52) **U.S. Cl.** **D13/133; D13/149**

(58) **Field of Classification Search** D13/133, D13/134, 137, 138, 139, 149, 154, 173, 184, D13/199; 361/118, 119; 439/105-108, 117, 439/188, 365, 373, 535, 650-654, 697

See application file for complete search history.

(56) **References Cited**

U.S. PATENT DOCUMENTS

D91,940	S *	4/1934	Hollingsworth	D13/139.4
4,405,187	A	9/1983	Muller et al.		
4,452,502	A	6/1984	Forberg et al.		
4,500,746	A	2/1985	Meehan		
4,548,459	A	10/1985	Mosser, III		
4,614,576	A	9/1986	Goldstein		
5,100,332	A *	3/1992	Egawa	439/72
D354,943	S	1/1995	Williams et al.		
5,492,484	A	2/1996	Archer		
D397,086	S	8/1998	Lin		
6,095,848	A *	8/2000	Munshi	439/417
D454,543	S *	3/2002	Hu	D13/147
D486,792	S	2/2004	Stoughton		

7,435,119	B2 *	10/2008	Chang et al.	439/188
D587,203	S	2/2009	Dennes et al.		
2002/0013081	A1	1/2002	Shan		

FOREIGN PATENT DOCUMENTS

AU	629900	8/1990
AU	778341	7/2001
AU	784652	1/2003
AU	2005203509	2/2006
WO	2007/128380	11/2007

OTHER PUBLICATIONS

U.S. Appl. No. 29/297,083, filed Nov. 2, 2007.
Copending and commonly assigned U.S. Appl. No. 12/300,201, titled "Electrical Connector", submitted Mar. 20, 2009 by Dennes et al., which claims priority to WO 2007/128380 listed above.

* cited by examiner

Primary Examiner—Daniel D Bui

Assistant Examiner—Thomas J Johannes

(74) *Attorney, Agent, or Firm*—Merchant & Gould P.C.

(57) **CLAIM**

The ornamental design for the electrical connector, as shown and described.

DESCRIPTION

FIG. 1 is a front view of an electrical connector, showing our design;

FIG. 2 is a bottom view thereof;

FIG. 3 is a first side view thereof;

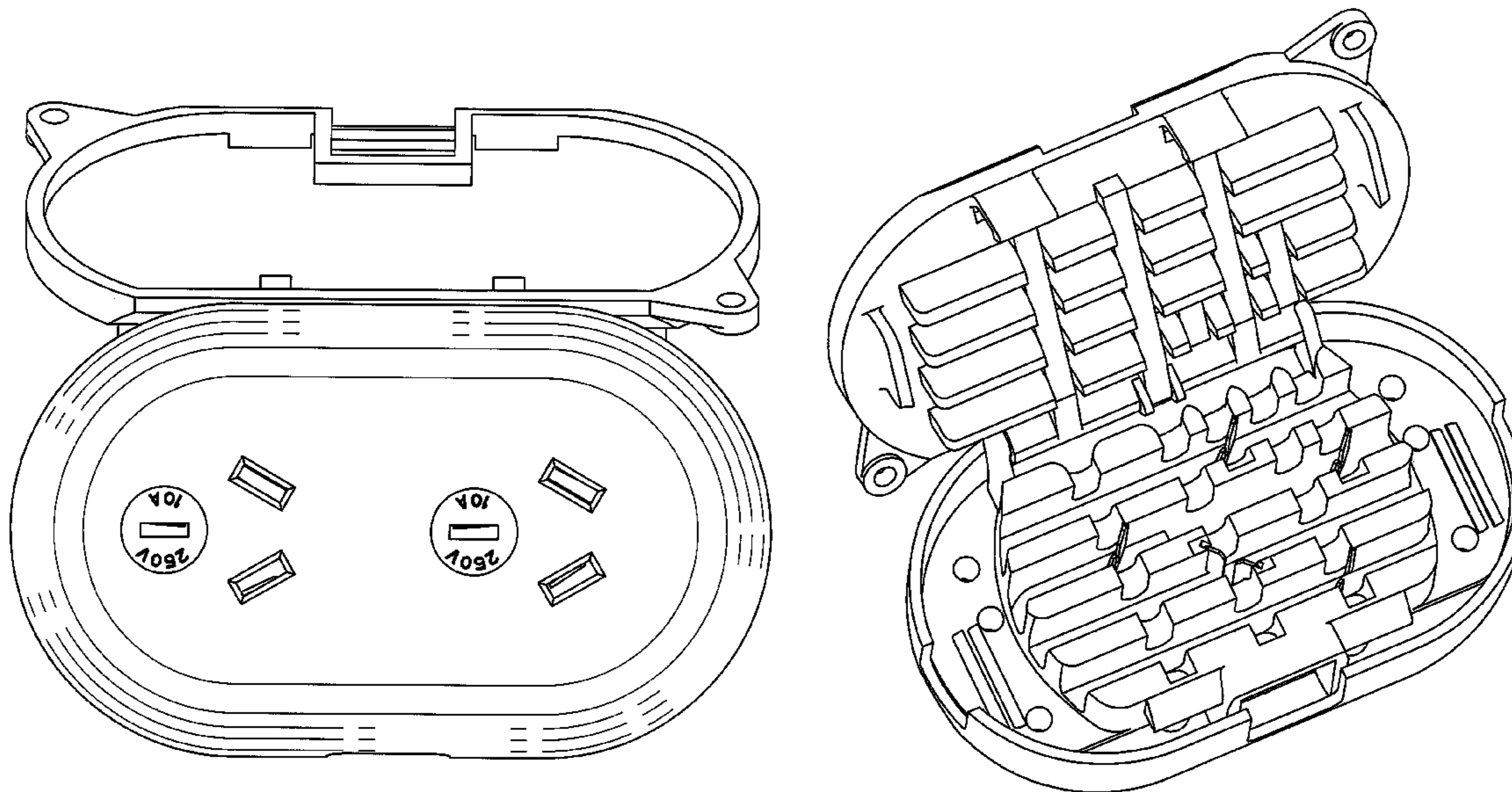
FIG. 4 is a second side view thereof;

FIG. 5 is a first end view thereof;

FIG. 6 is a second end view thereof; and,

FIG. 7 is a perspective view thereof.

1 Claim, 7 Drawing Sheets



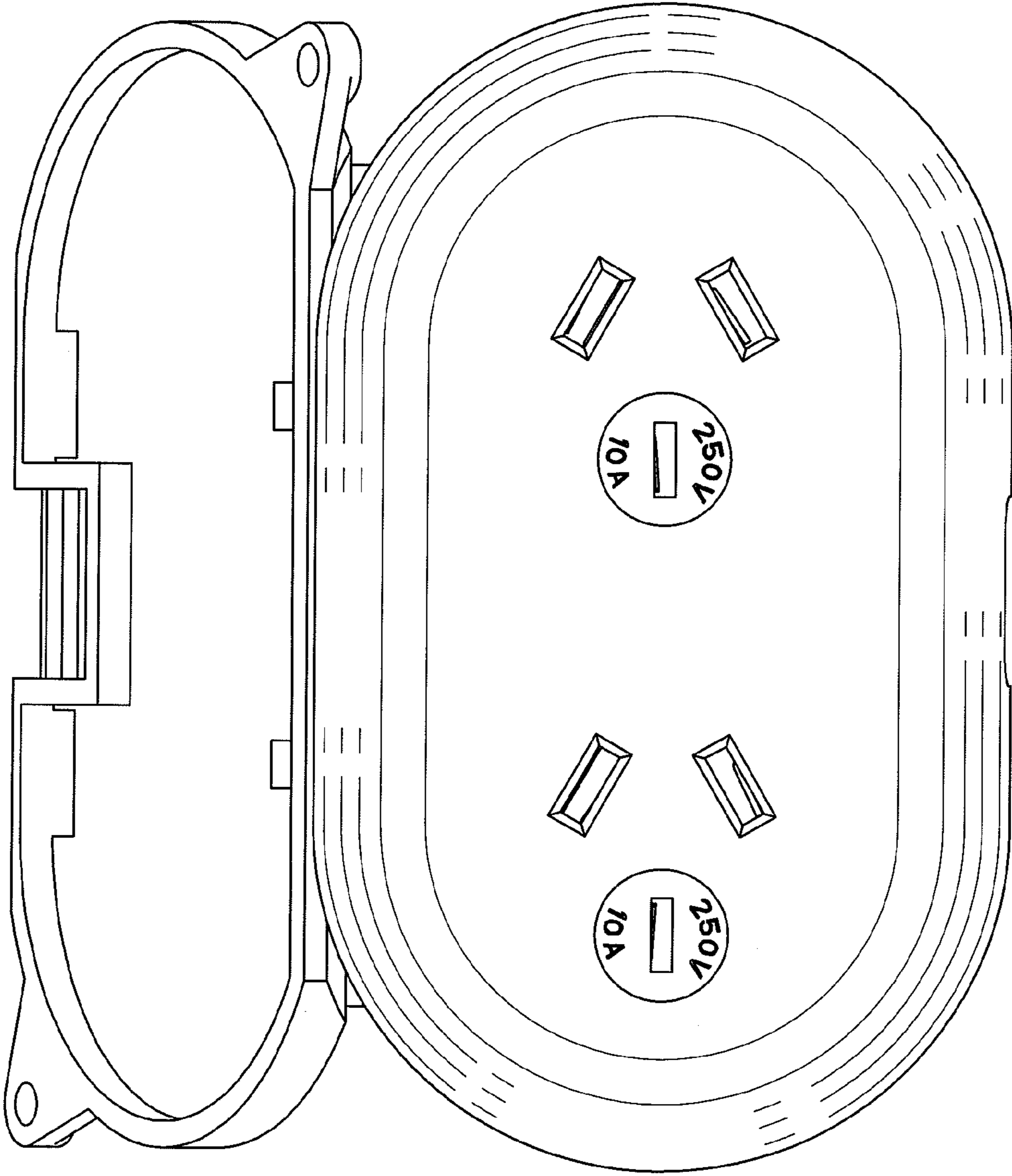


FIG. 1

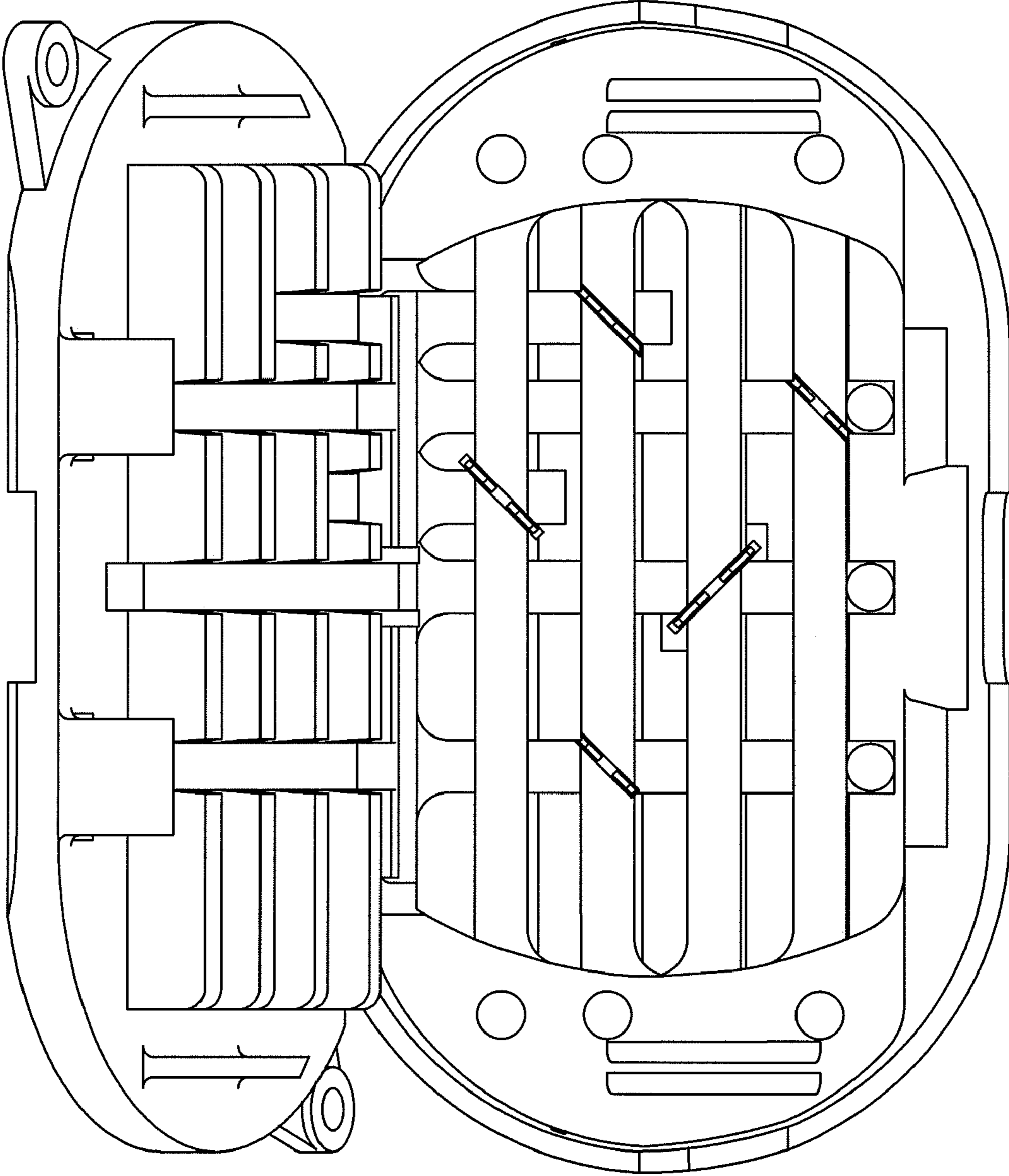


FIG. 2

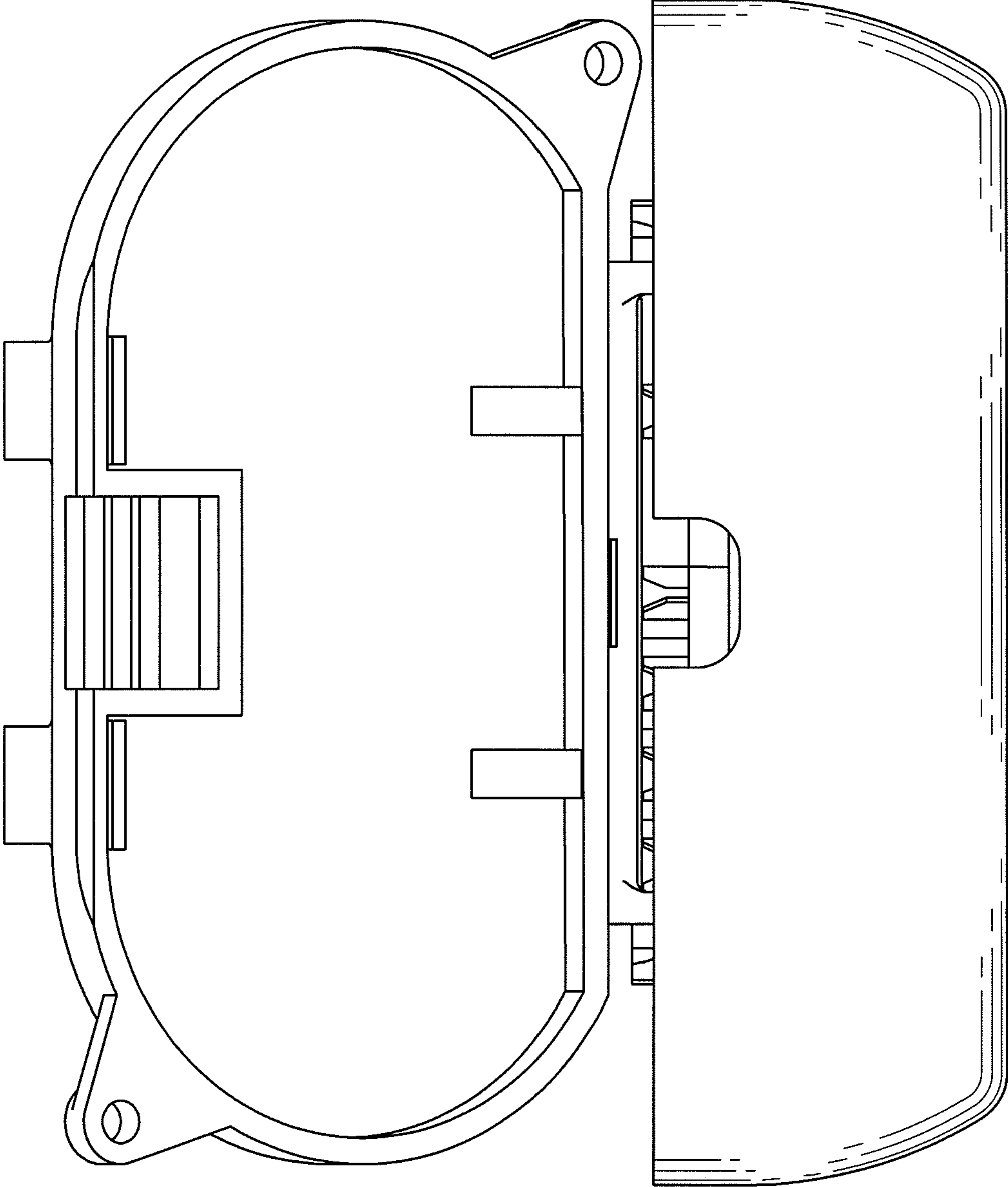


FIG. 3

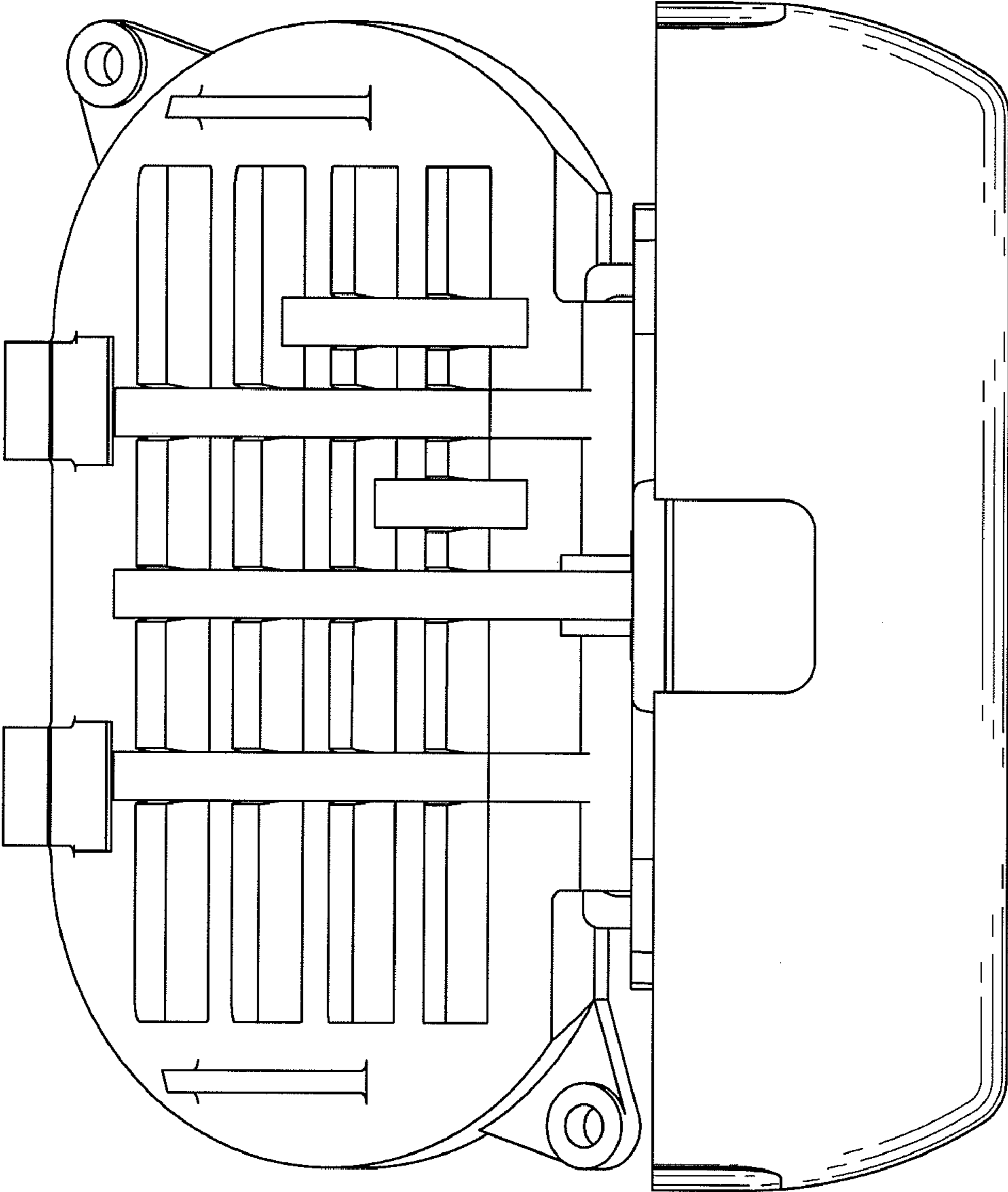


FIG. 4

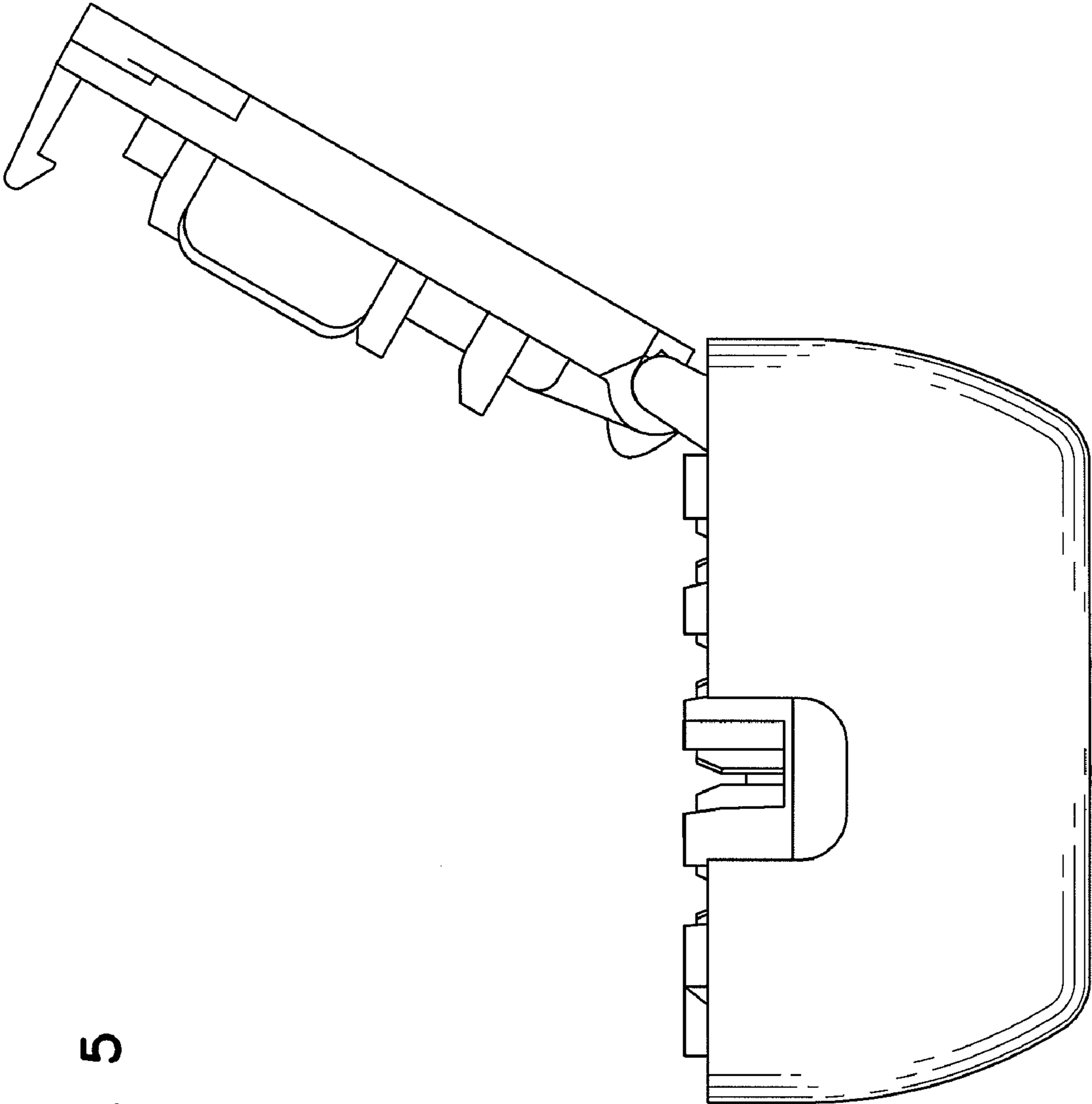


FIG. 5

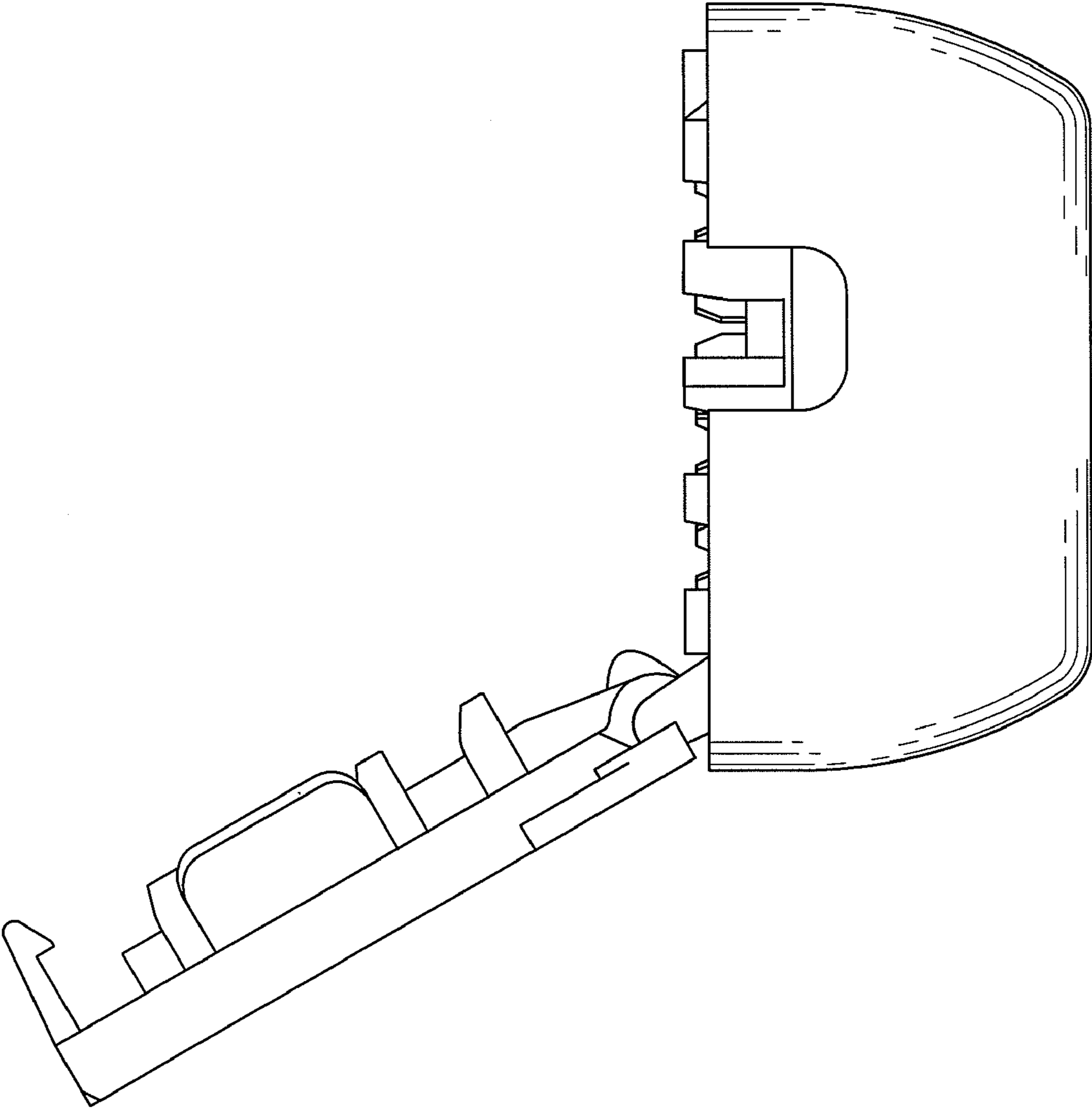


FIG. 6

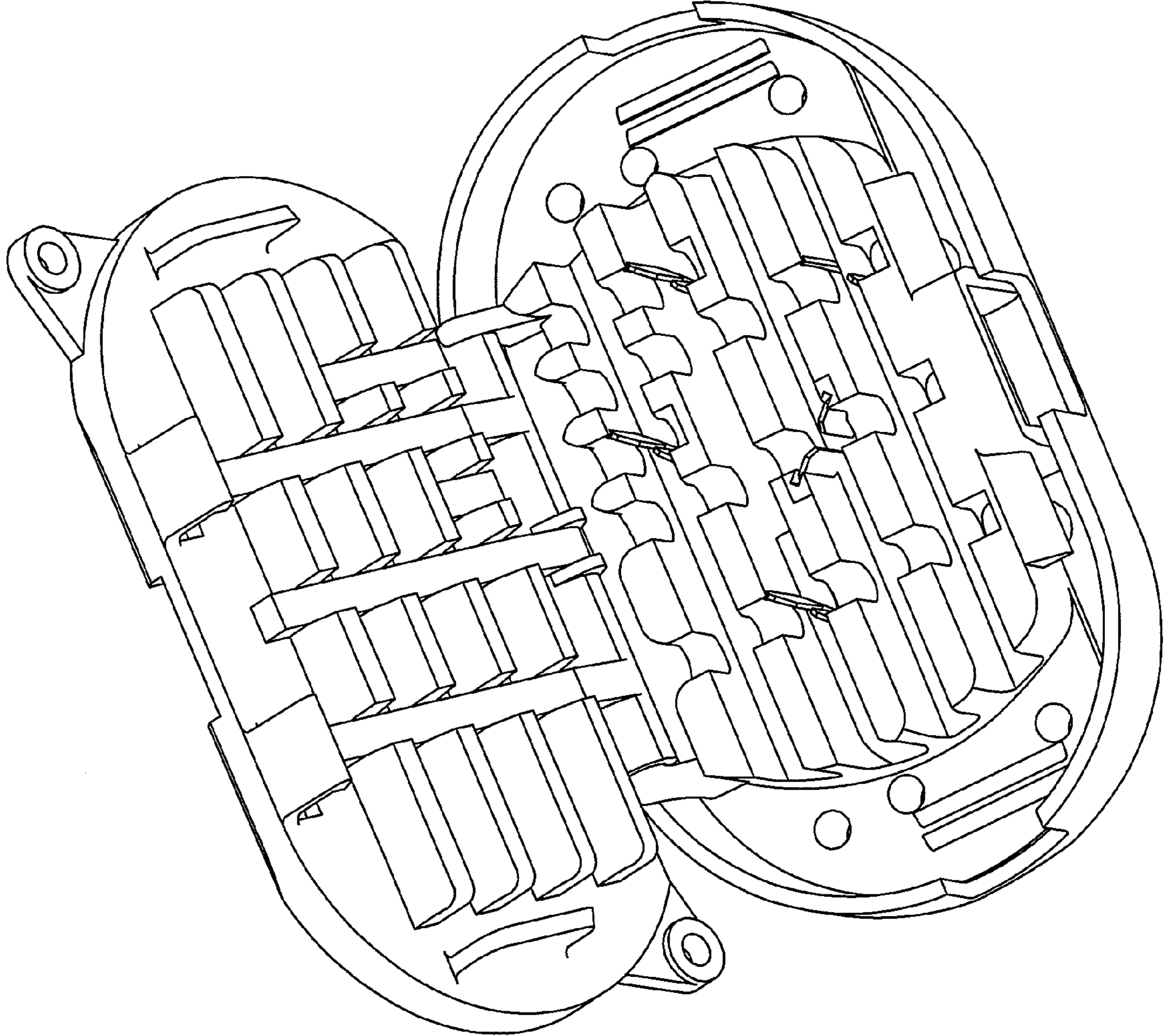


FIG. 7