



US00D605120S

(12) **United States Design Patent**
Pape et al.

(10) **Patent No.:** **US D605,120 S**

(45) **Date of Patent:** **** Dec. 1, 2009**

(54) **POWER CONTROLLER COVER WITH
TERMINAL BLOCK**

D553,094 S * 10/2007 Pape et al. D13/158
D555,106 S * 11/2007 Pape et al. D13/158
D555,603 S * 11/2007 Pape et al. D13/162
D585,838 S * 2/2009 Tiedemann et al. D13/158

(75) Inventors: **Robert A. Pape**, Winona, MN (US);
Craig Richard Dennis, Lewiston, MN
(US); **Thomas Robert Pfingsten**,
Winona, MN (US); **Theodore Thomas
Von Arx**, LaCrescent, MN (US)

* cited by examiner

Primary Examiner—Daniel D Bui

Assistant Examiner—Thomas J Johannes

(74) *Attorney, Agent, or Firm*—Brinks Hofer Gilson & Lione

(73) Assignee: **Watlow Electric Manufacturing
Company**, St. Louis, MO (US)

(57) **CLAIM**

(**) Term: **14 Years**

The ornamental design for a power controller cover with terminal block, as shown and described.

(21) Appl. No.: **29/321,298**

(22) Filed: **Jul. 14, 2008**

DESCRIPTION

(51) **LOC (9) Cl.** **13-03**

FIG. 1 is a front perspective view of the power controller cover with terminal block showing our new design;

(52) **U.S. Cl.** **D13/123; D13/177**

FIG. 2 is front view thereof;

(58) **Field of Classification Search** D13/123,

FIG. 3 is a right side view thereof;

D13/133, 146, 147, 152, 154, 158–164, 173,

FIG. 4 is a left side view thereof;

D13/184, 199; 361/752; 439/660

FIG. 5 is a top view thereof, enlarged for clarity;

See application file for complete search history.

FIG. 6 is a bottom view thereof, enlarged for clarity; and,

FIG. 7 is a rear view thereof.

(56) **References Cited**

The broken line portions in the figures are included to show unclaimed subject matter and form no part of the claimed design.

U.S. PATENT DOCUMENTS

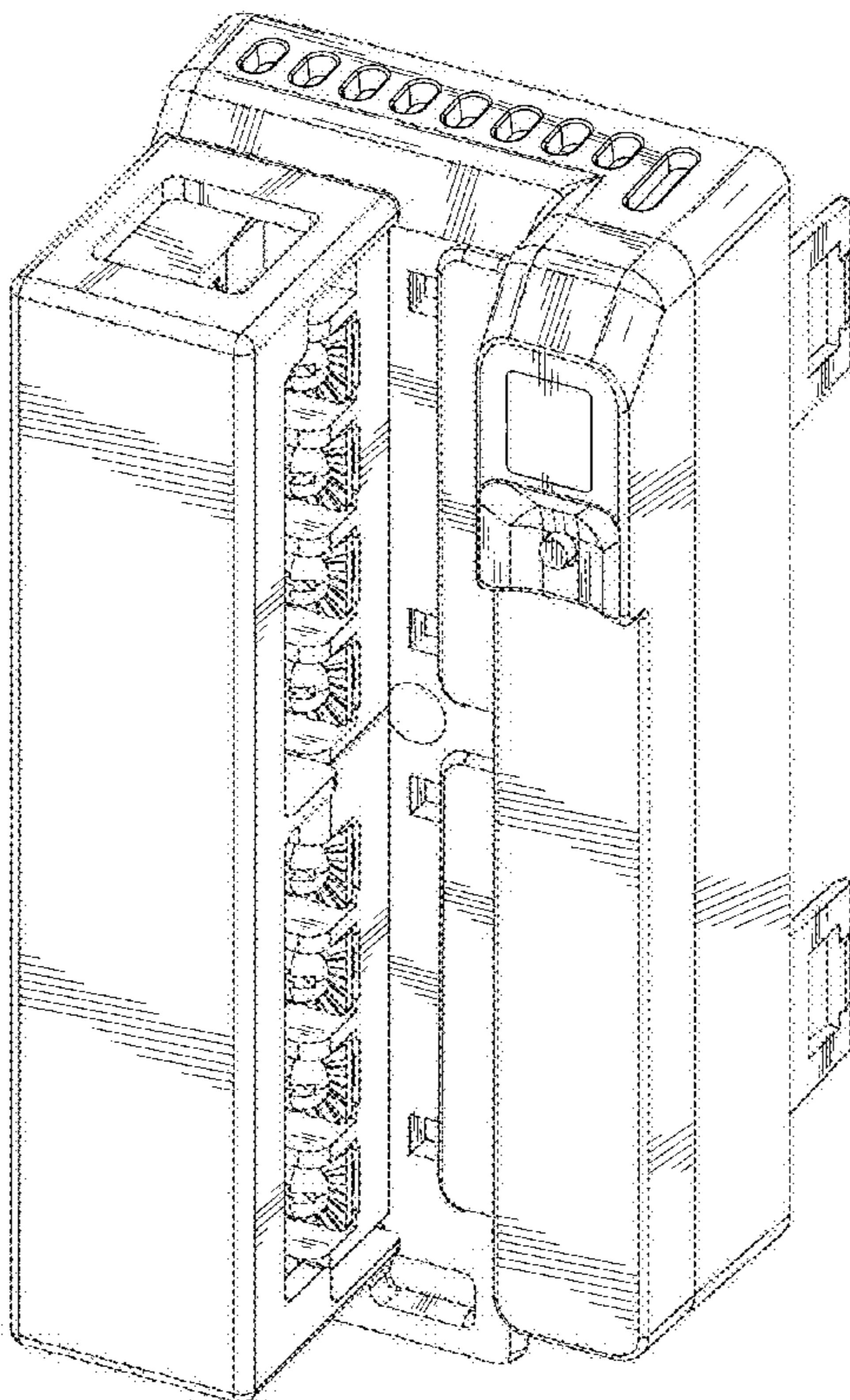
D332,088 S * 12/1992 Nimpoeno et al. D13/184

5,312,274 A * 5/1994 Tuao 439/660

D425,488 S * 5/2000 Byrd et al. D13/154

D442,554 S * 5/2001 Byrd et al. D13/154

1 Claim, 7 Drawing Sheets



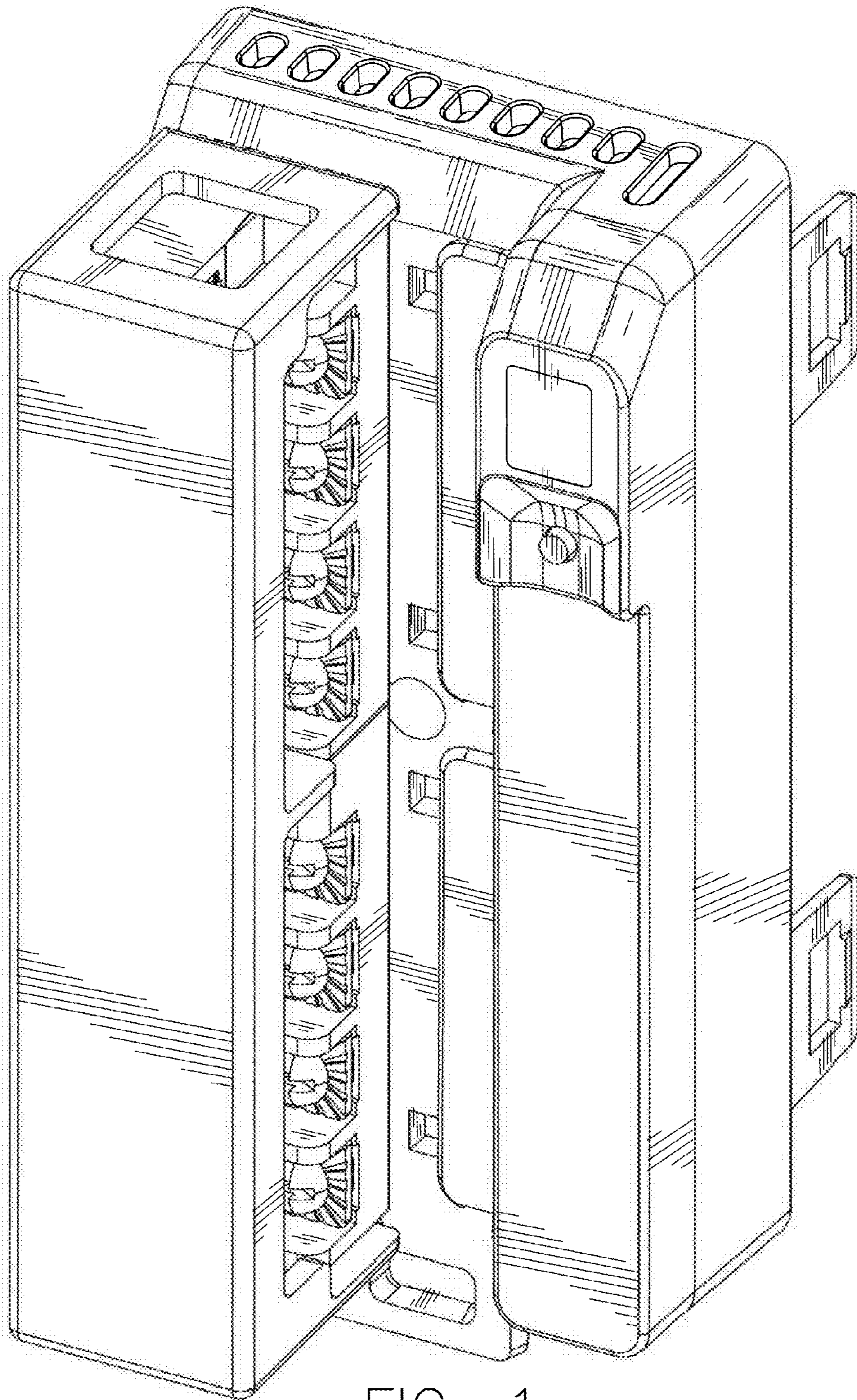


FIG. 1

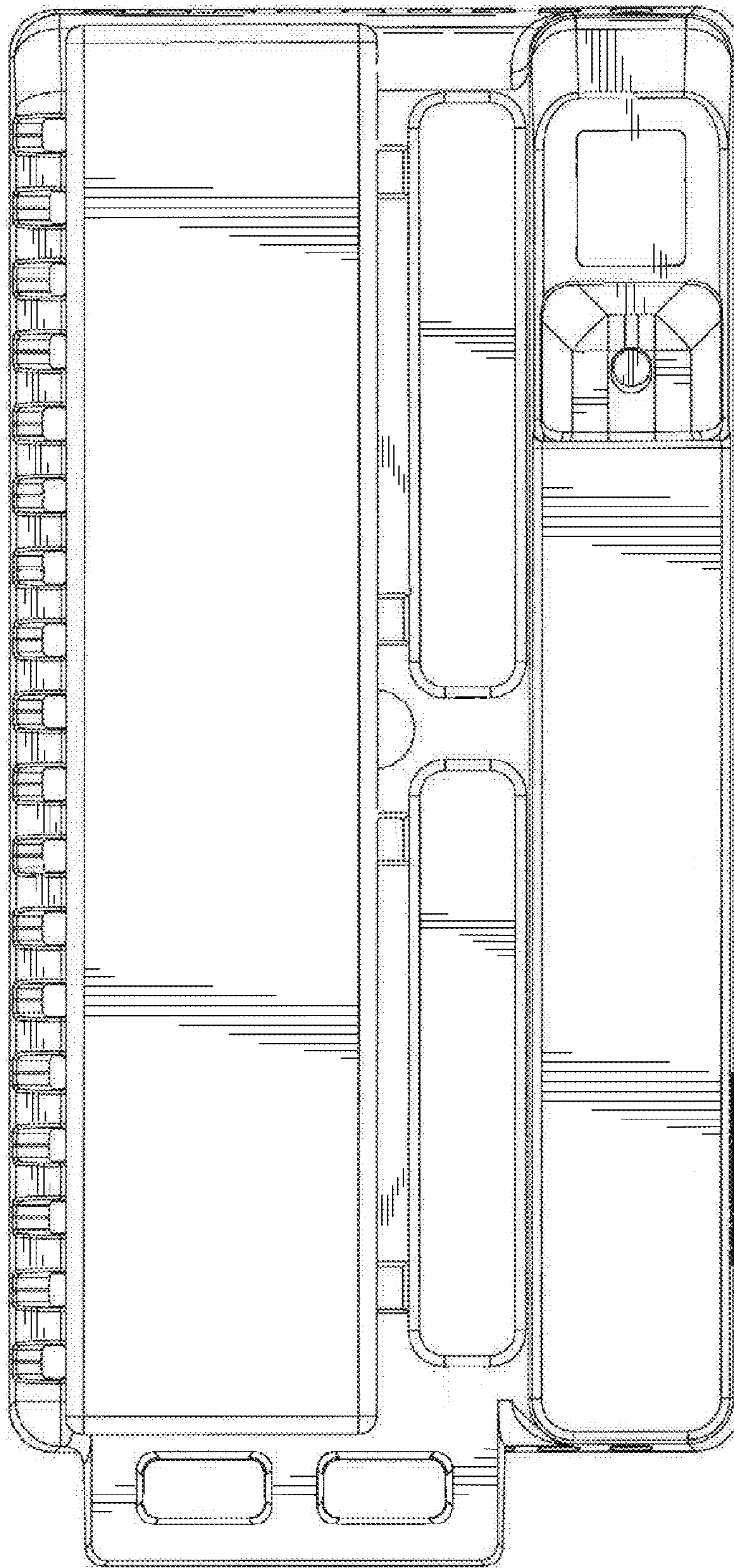


FIG. 2

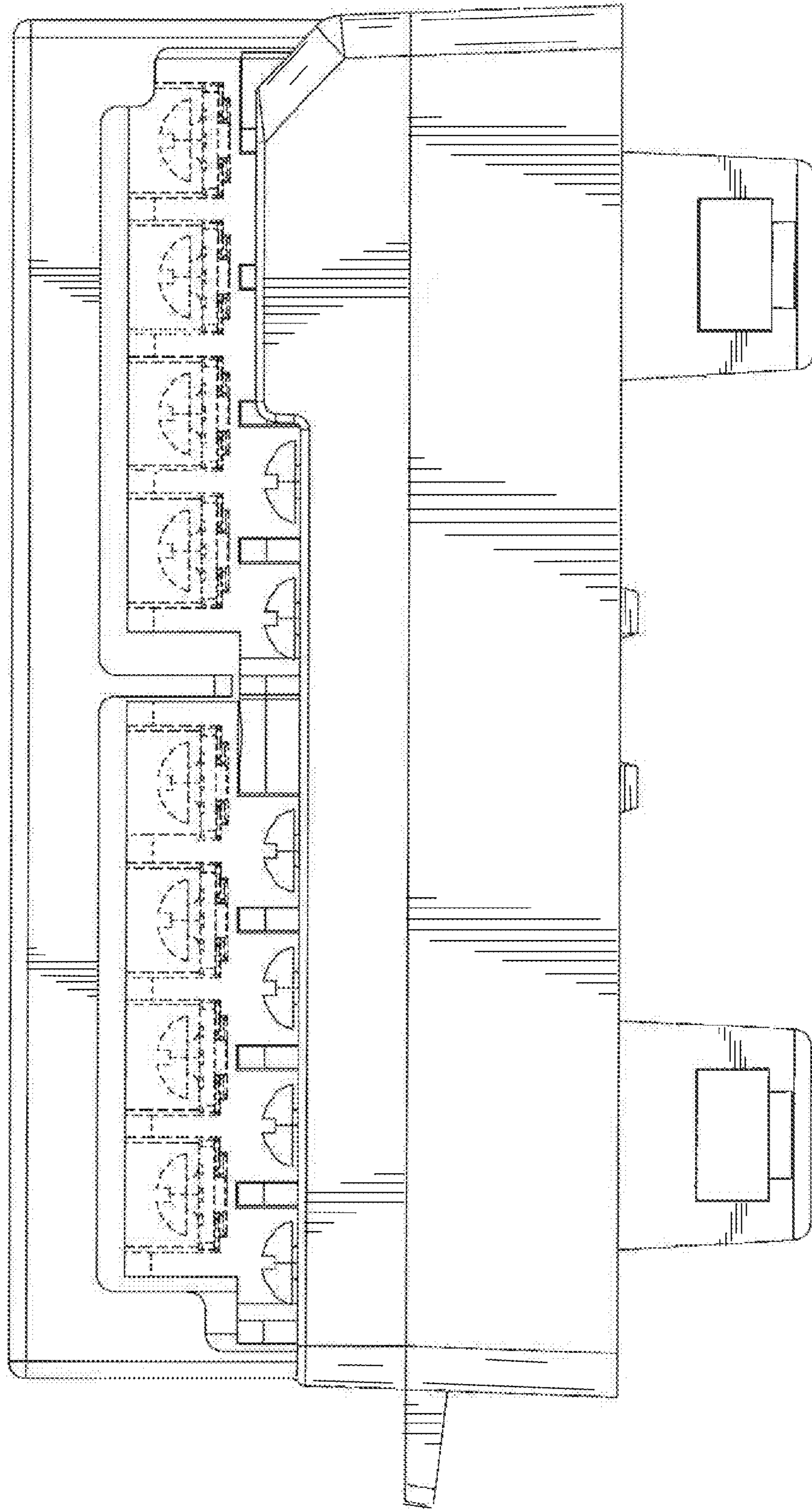


FIG. 3

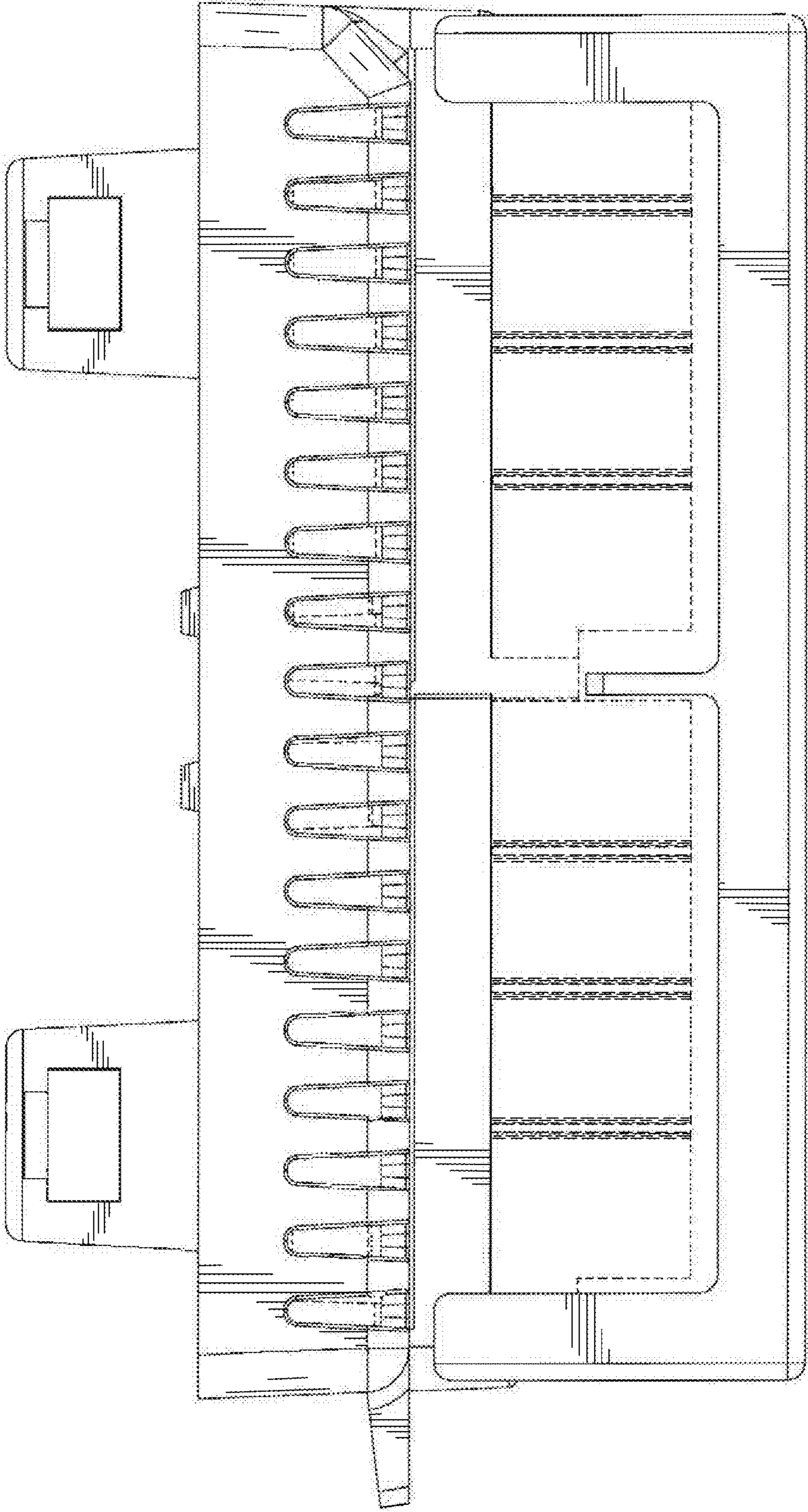


FIG. 4

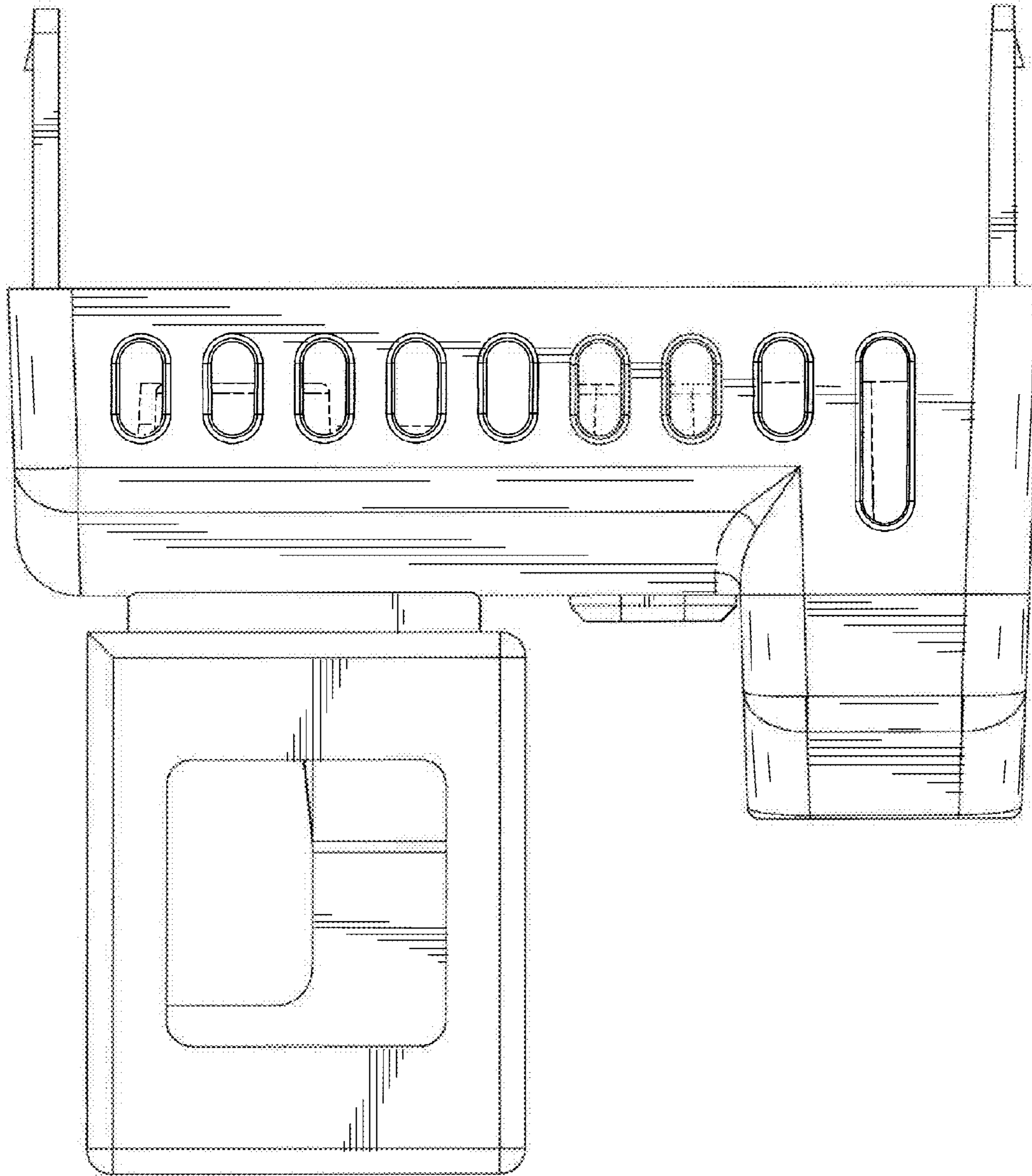


FIG. 5

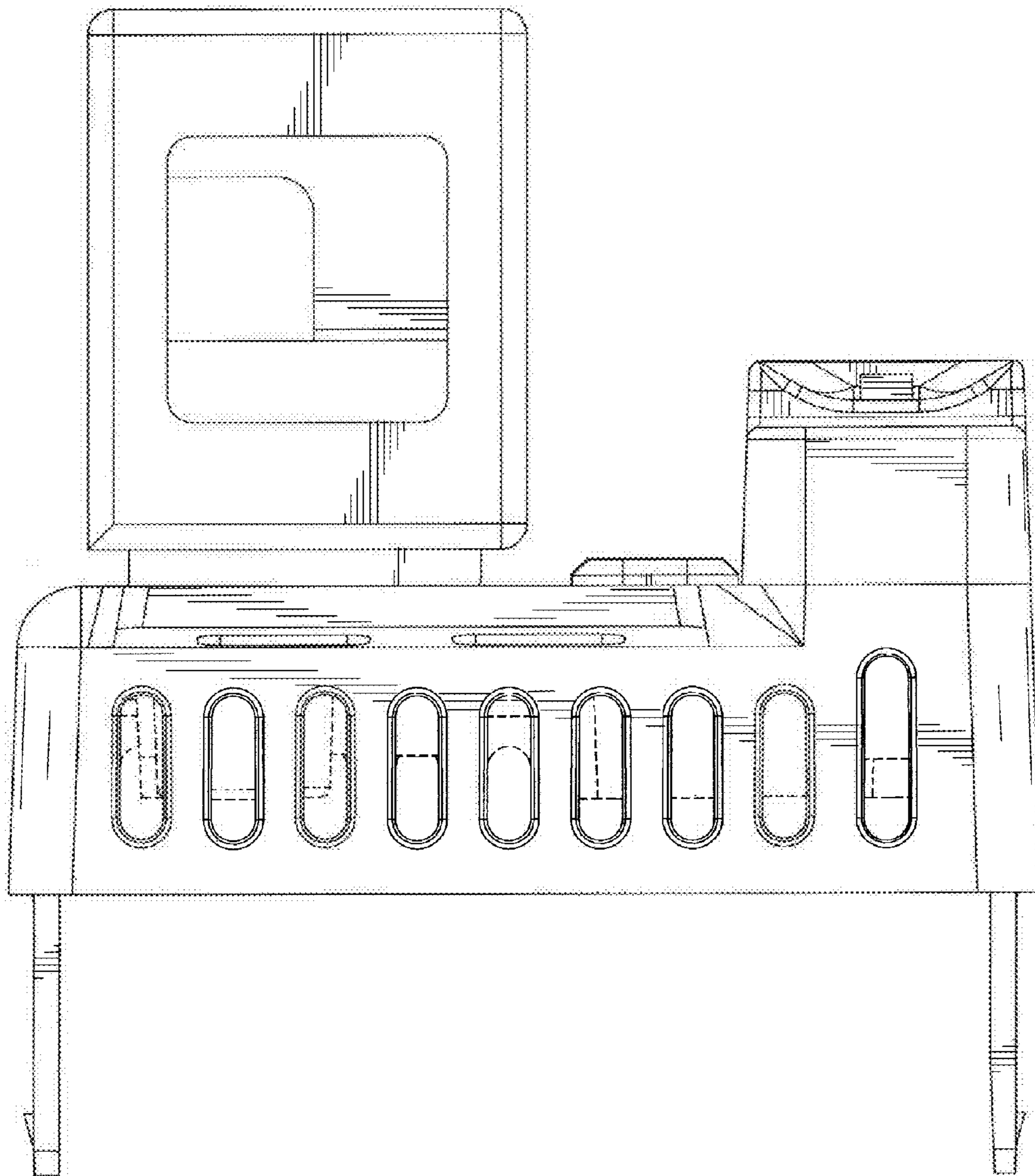


FIG. 6

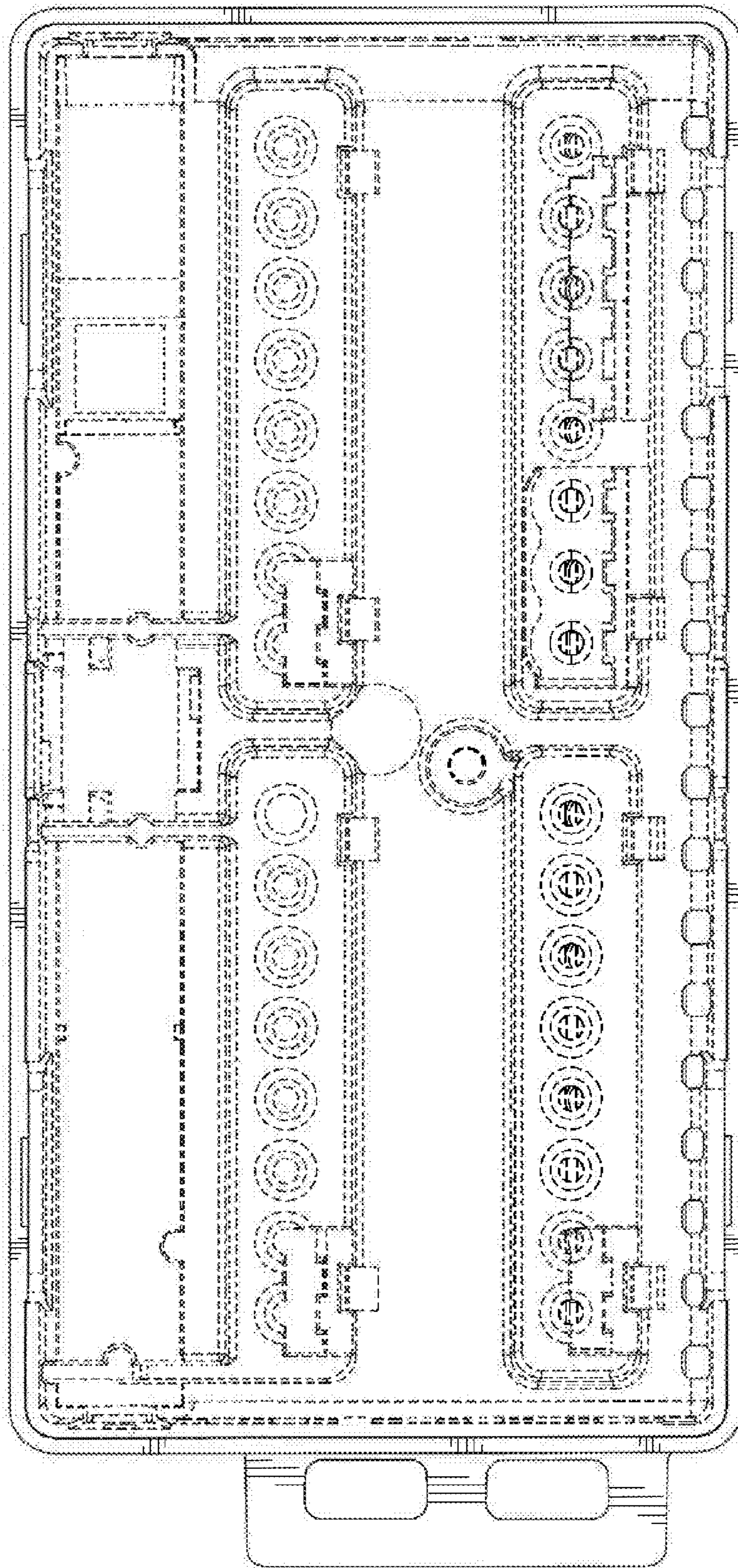


FIG. 7