



US00D605115S

(12) **United States Design Patent**
Starck

(10) **Patent No.:** **US D605,115 S**
(45) **Date of Patent:** **** Dec. 1, 2009**

(54) **ROTOR FOR WIND TURBINES**

(75) Inventor: **Philippe Starck**, Paris (FR)

(73) Assignee: **PHS General Design Services B.V.**,
Amsterdam (NL)

(**) Term: **14 Years**

(21) Appl. No.: **29/324,430**

(22) Filed: **Sep. 11, 2008**

(30) **Foreign Application Priority Data**

Mar. 12, 2008 (EM) 000896337

(51) **LOC (9) Cl.** **13-01**

(52) **U.S. Cl.** **D13/115**

(58) **Field of Classification Search** D13/115,
D13/101, 118, 199; D15/1, 199; 52/40;
290/55; 415/4.2, 122.1, 162, 907; 416/24,
416/176-177, 196 A, 197 A

See application file for complete search history.

(56) **References Cited**

U.S. PATENT DOCUMENTS

D252,877 S * 9/1979 Hanson D15/1
4,414,477 A * 11/1983 Mewburn-Crook et al. ... 290/55
D305,419 S * 1/1990 Korneski D13/115

D338,871 S * 8/1993 Carfagno D13/115
5,320,491 A * 6/1994 Coleman et al. 416/24
6,470,645 B1 * 10/2002 Maliszewski et al. 52/745.18
D508,893 S * 8/2005 Kato et al. D13/115
D509,794 S * 9/2005 Okubo et al. D13/115

* cited by examiner

Primary Examiner—Prabhakar Deshmukh

Assistant Examiner—Derrick Holland

(74) *Attorney, Agent, or Firm*—Townsend and Townsend and
Crew LLP

(57) **CLAIM**

The ornamental design for a rotor for wind turbines, as shown
and described.

DESCRIPTION

FIG. 1 is a front, right side perspective view of a rotor for wind
turbines showing my new design;

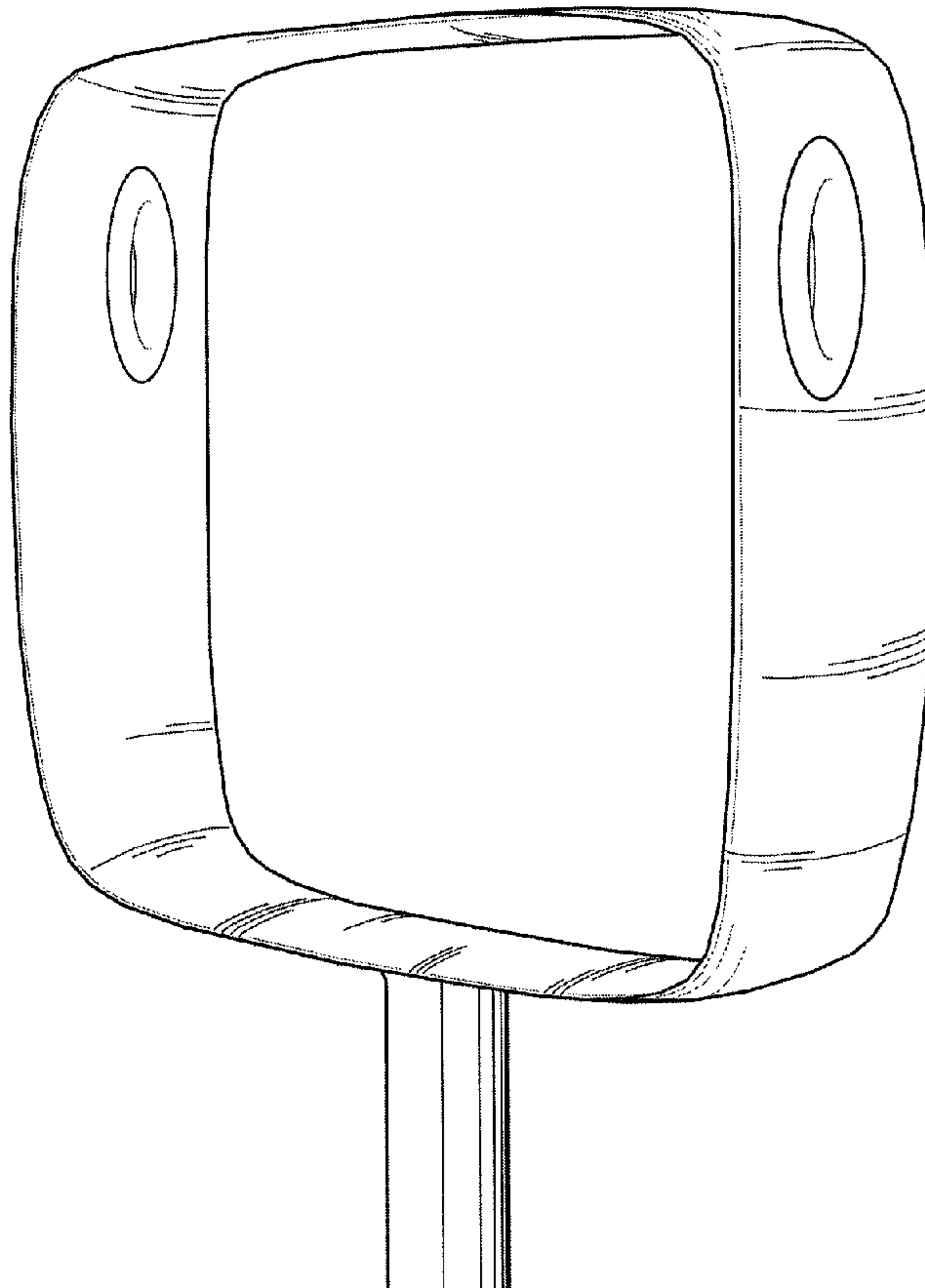
FIG. 2 is a front, right side perspective view thereof, rotated to
show more of the right side;

FIG. 3 is a right side elevational view, the left side elevational
view being a mirror image thereof;

FIG. 4 is a rear, right side perspective view thereof; and,

FIG. 5 is a rear, right side perspective view thereof, rotated so
as to show more of the rear side.

1 Claim, 5 Drawing Sheets



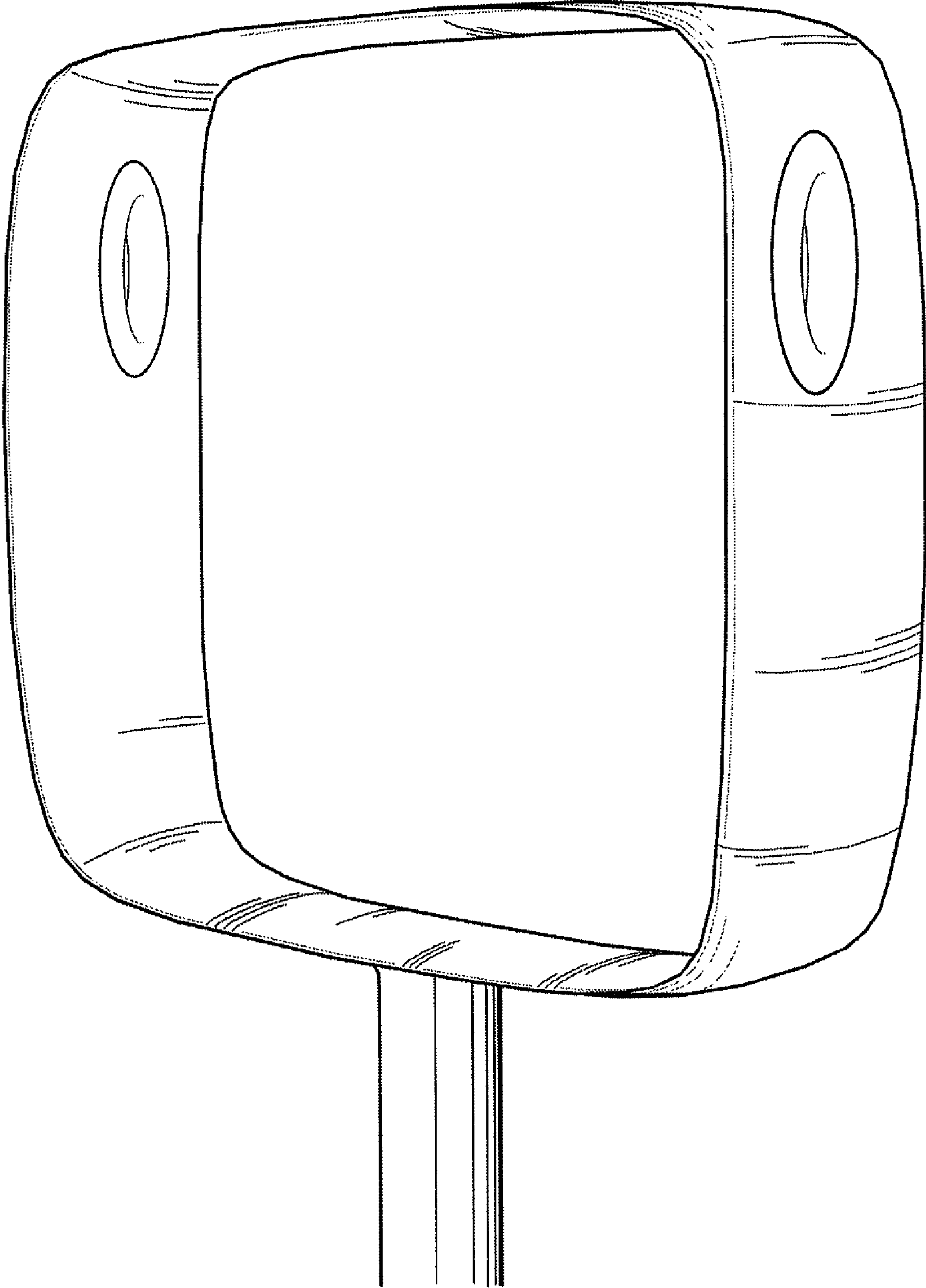


FIG.1

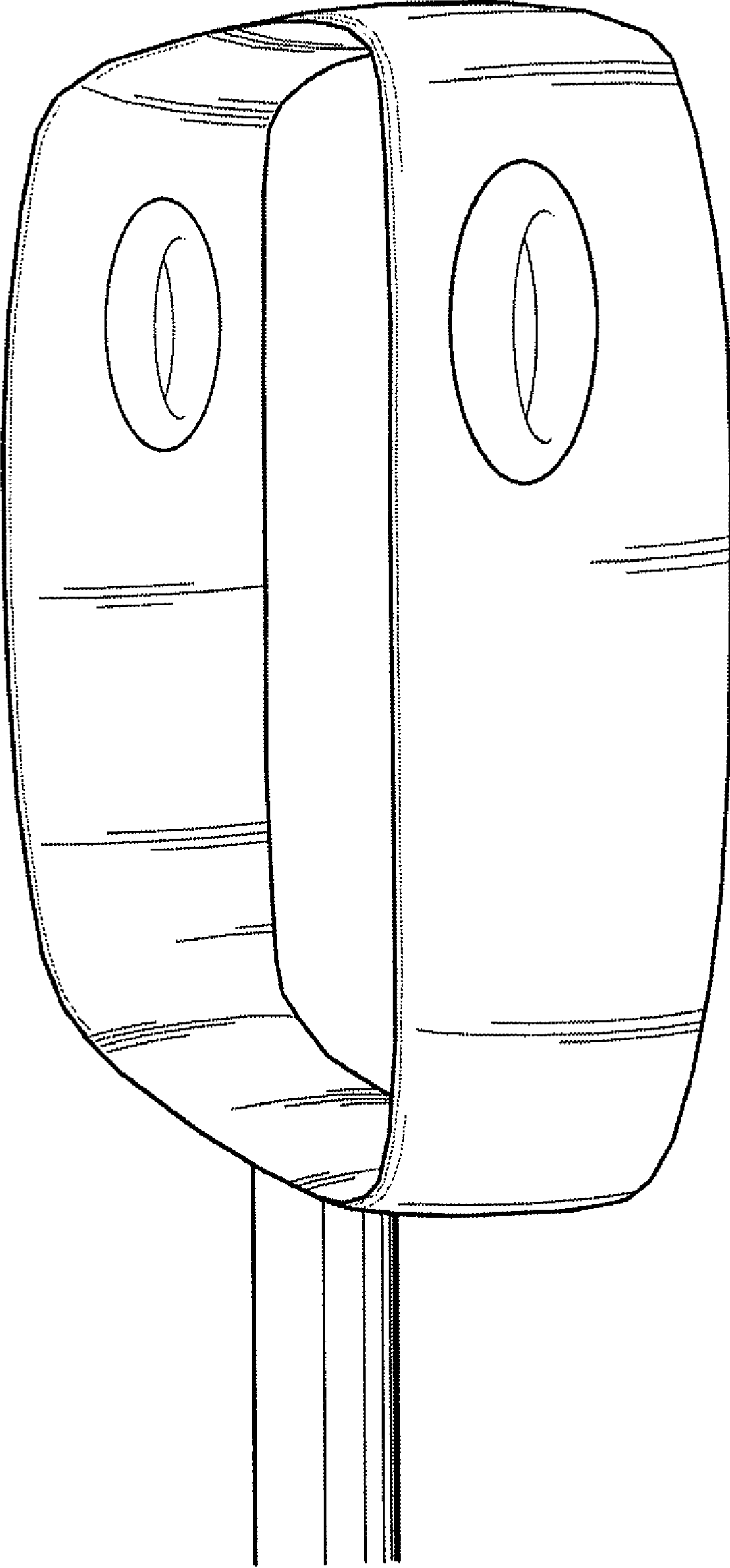


FIG.2

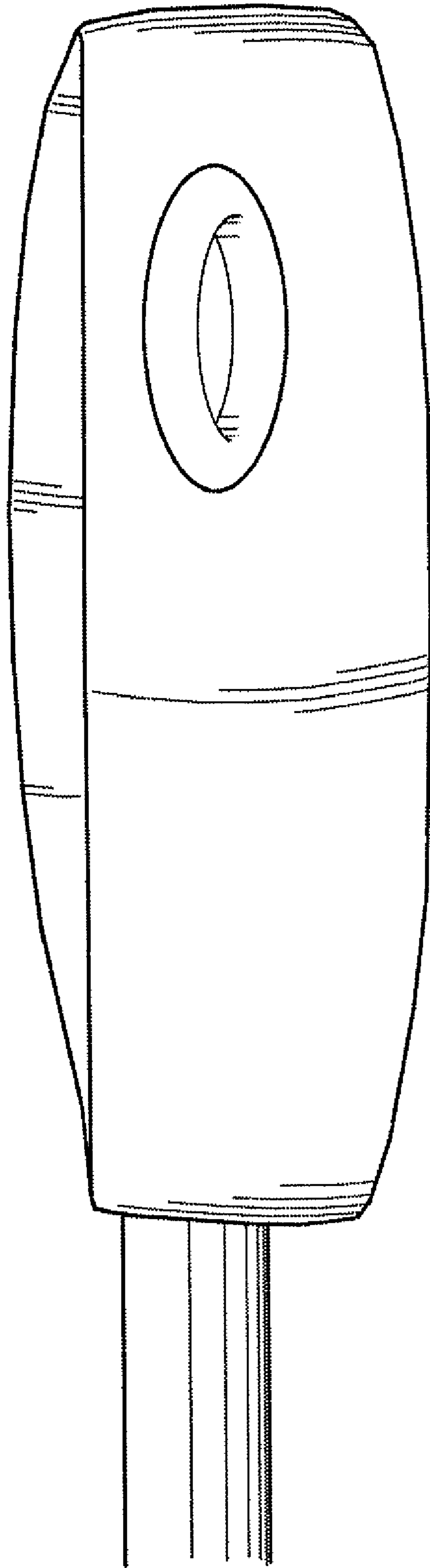


FIG.3

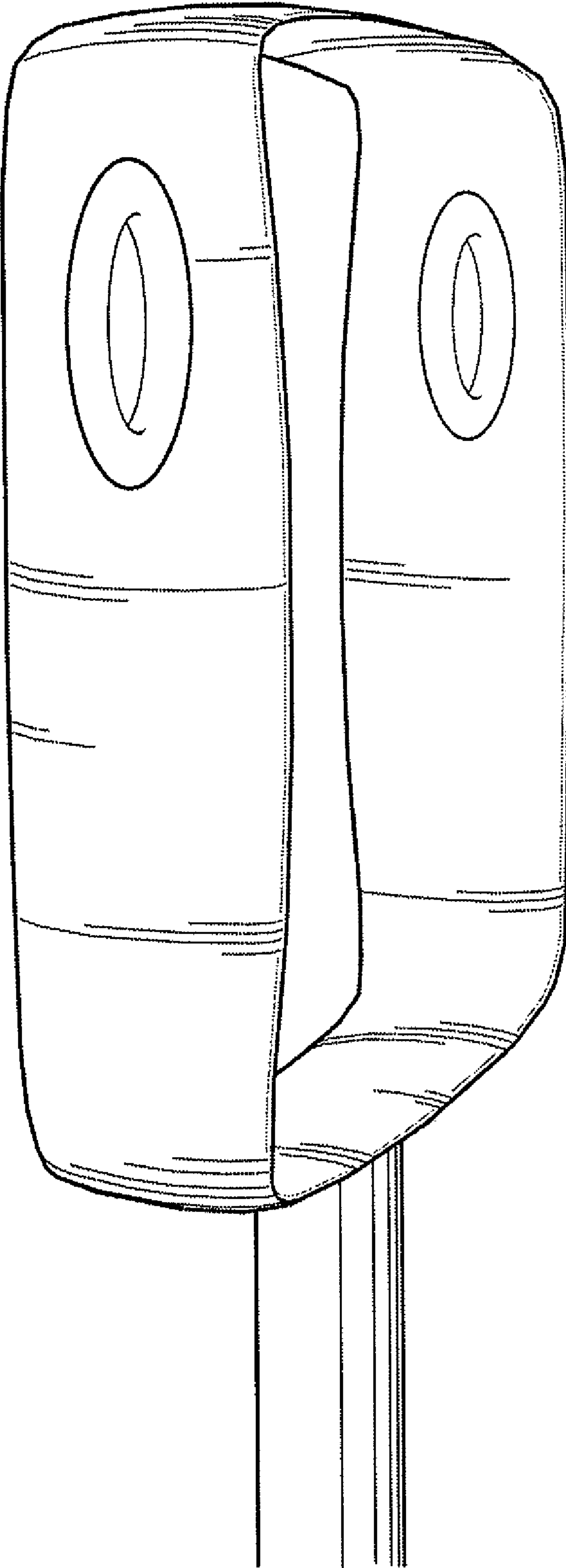


FIG.4

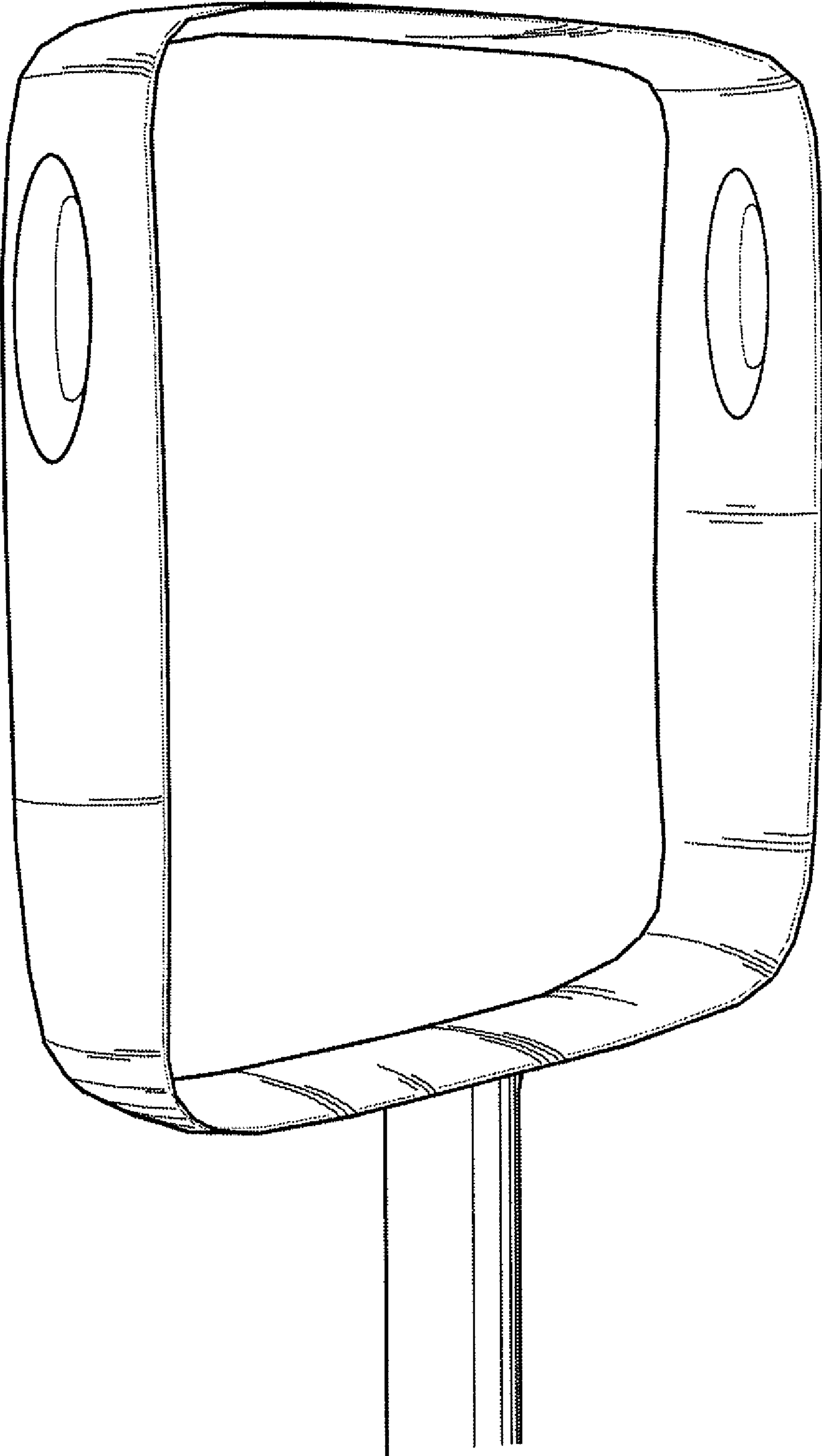


FIG.5