



US00D605112S

(12) **United States Design Patent**  
**Chang**

(10) **Patent No.:** **US D605,112 S**

(45) **Date of Patent:** **\*\* Dec. 1, 2009**

(54) **CHARGER**

(75) Inventor: **I-Chang Chang**, Sijhih (TW)

(73) Assignee: **Jye Chuang Electronic Co., Ltd.**,  
Taipei County (TW)

(\*\*) Term: **14 Years**

(21) Appl. No.: **29/327,023**

(22) Filed: **Oct. 29, 2008**

(51) **LOC (9) Cl.** ..... **13-02**

(52) **U.S. Cl.** ..... **D13/107**

(58) **Field of Classification Search** ..... D13/107–110,  
D13/118–119, 184; D14/251, 253, 432,  
D14/434; 320/107–115

See application file for complete search history.

(56) **References Cited**

**U.S. PATENT DOCUMENTS**

|              |         |                      |         |
|--------------|---------|----------------------|---------|
| D412,487 S * | 8/1999  | Nagele et al. ....   | D13/108 |
| D454,837 S * | 3/2002  | Ibuki et al. ....    | D13/107 |
| D457,163 S * | 5/2002  | Peiker ....          | D14/434 |
| D467,225 S * | 12/2002 | Sudo ....            | D13/102 |
| D478,557 S * | 8/2003  | Pfeiffer ....        | D13/107 |
| D489,680 S * | 5/2004  | Stobart ....         | D13/107 |
| D513,731 S * | 1/2006  | Kang et al. ....     | D13/107 |
| D520,013 S * | 5/2006  | Yang ....            | D14/434 |
| D525,582 S * | 7/2006  | Chan ....            | D13/107 |
| D552,029 S * | 10/2007 | Kingston et al. .... | D13/108 |

|              |        |                      |         |
|--------------|--------|----------------------|---------|
| D565,506 S * | 4/2008 | Sacco et al. ....    | D13/107 |
| D574,383 S * | 8/2008 | Maruyama et al. .... | D14/434 |
| D586,295 S * | 2/2009 | Zhao et al. ....     | D13/133 |

\* cited by examiner

*Primary Examiner*—Jennifer Rivard

*Assistant Examiner*—Rosemary K Tarcza

(74) *Attorney, Agent, or Firm*—Muncy, Geissler, Olds & Lowe, PLLC

(57) **CLAIM**

The ornamental design for a charger, as shown and described.

**DESCRIPTION**

FIG. 1 is a perspective view of a charger;

FIG. 2 is a front view thereof;

FIG. 3 is a back view thereof;

FIG. 4 is a left side view thereof;

FIG. 5 is a right side view thereof;

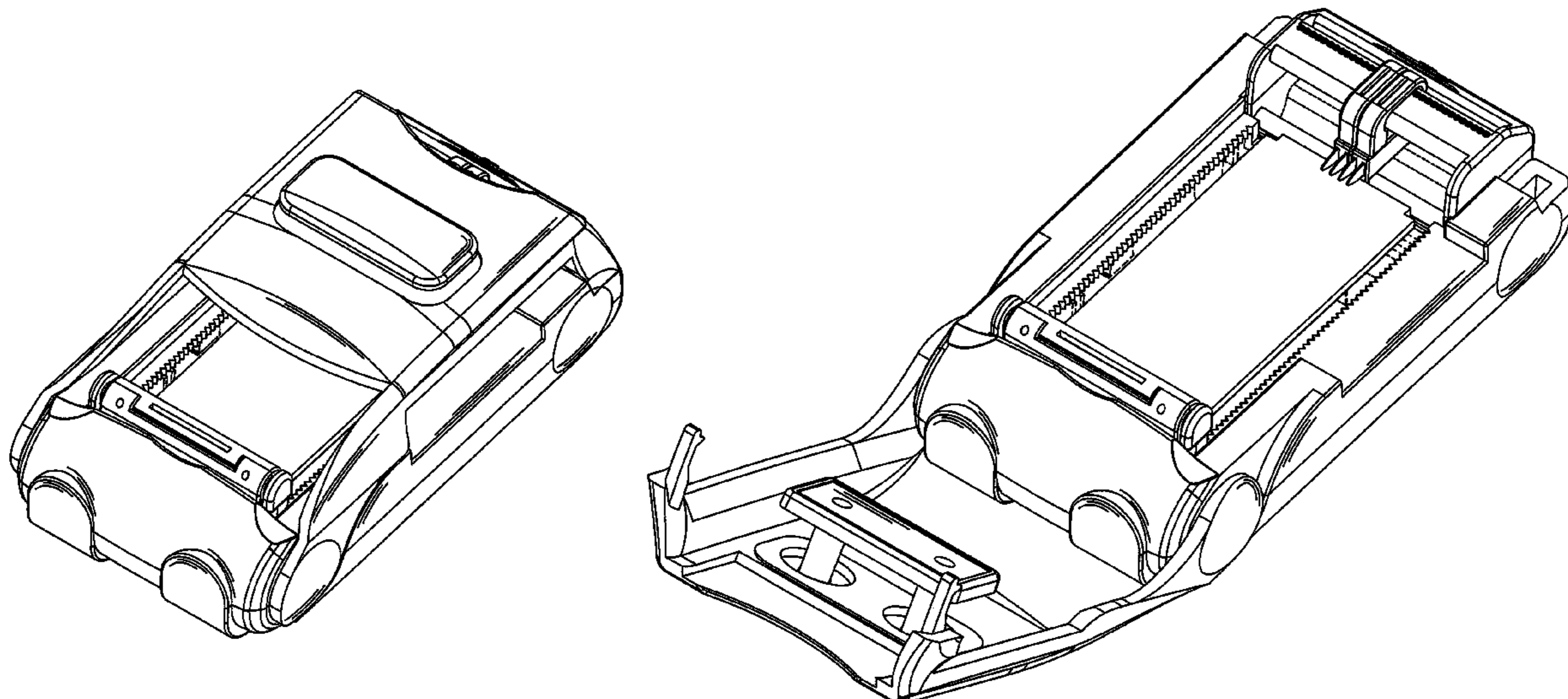
FIG. 6 is a top view thereof; and

FIG. 7 is a bottom view thereof; and,

FIG. 8 is a perspective view of a charger with a cover opened to show internal elements therein.

The broken lines showing portions of the charger are included for the purpose of illustrating environmental structure and form no part of the claimed design.

**1 Claim, 8 Drawing Sheets**



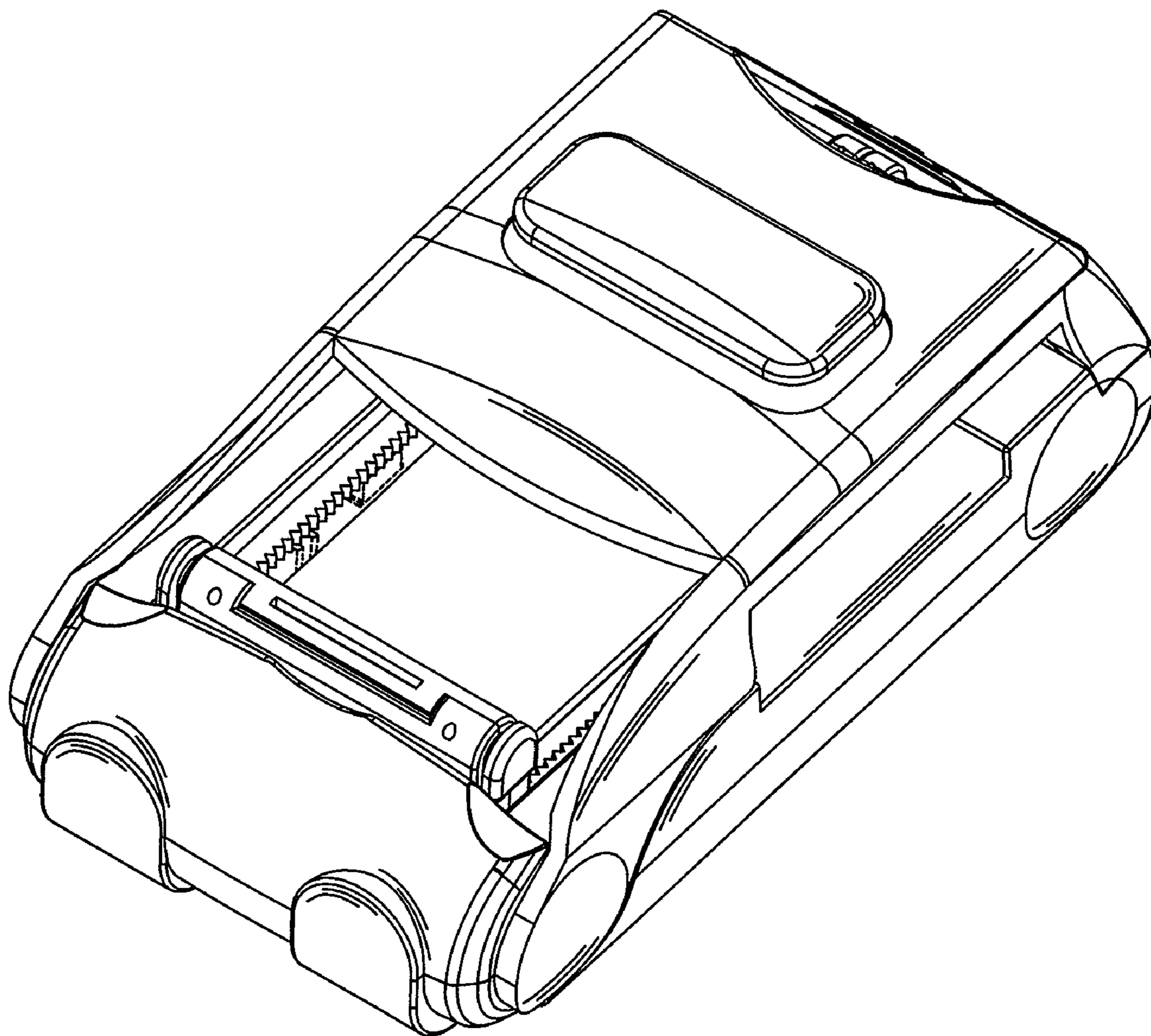


FIG. 1

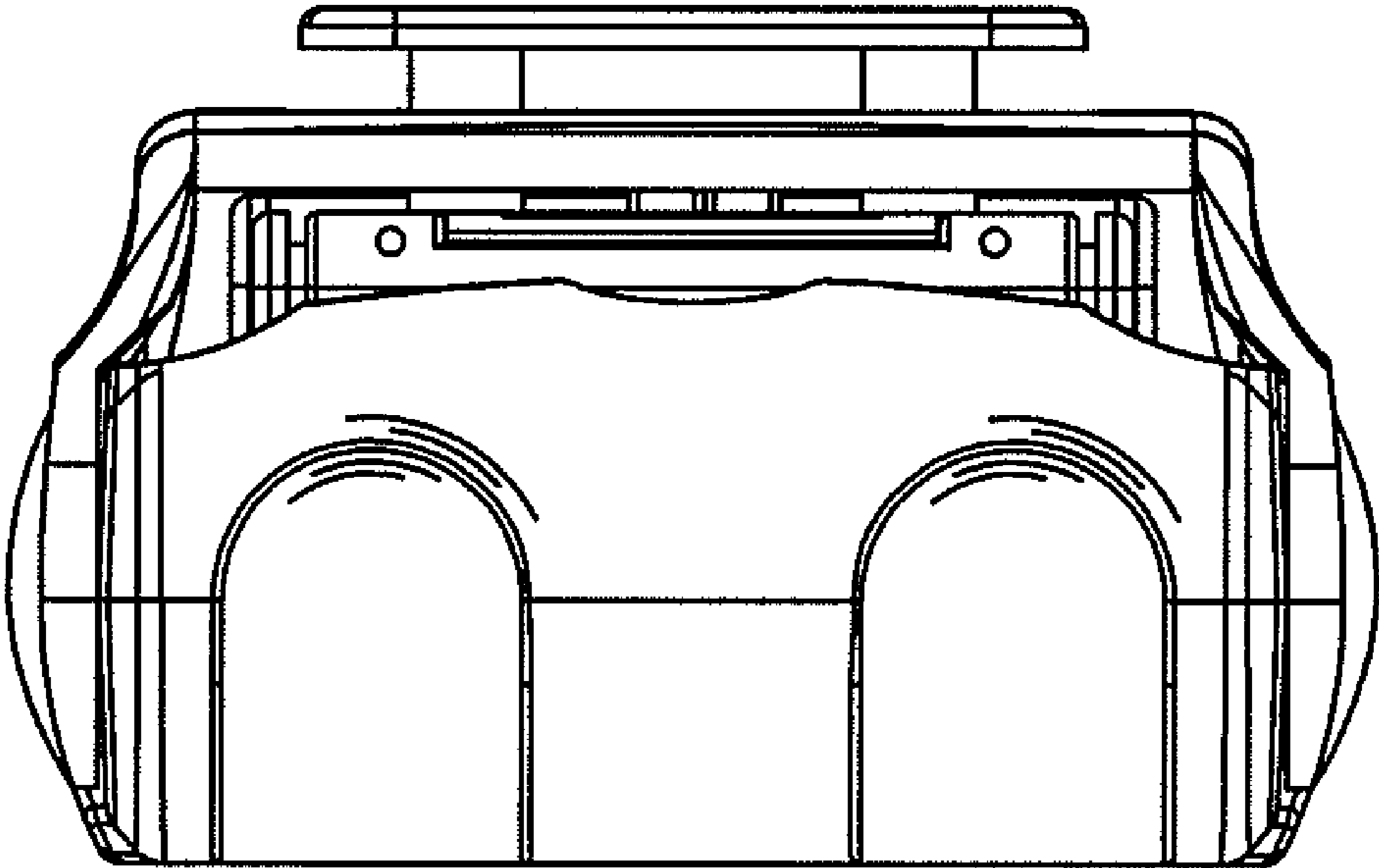


FIG. 2

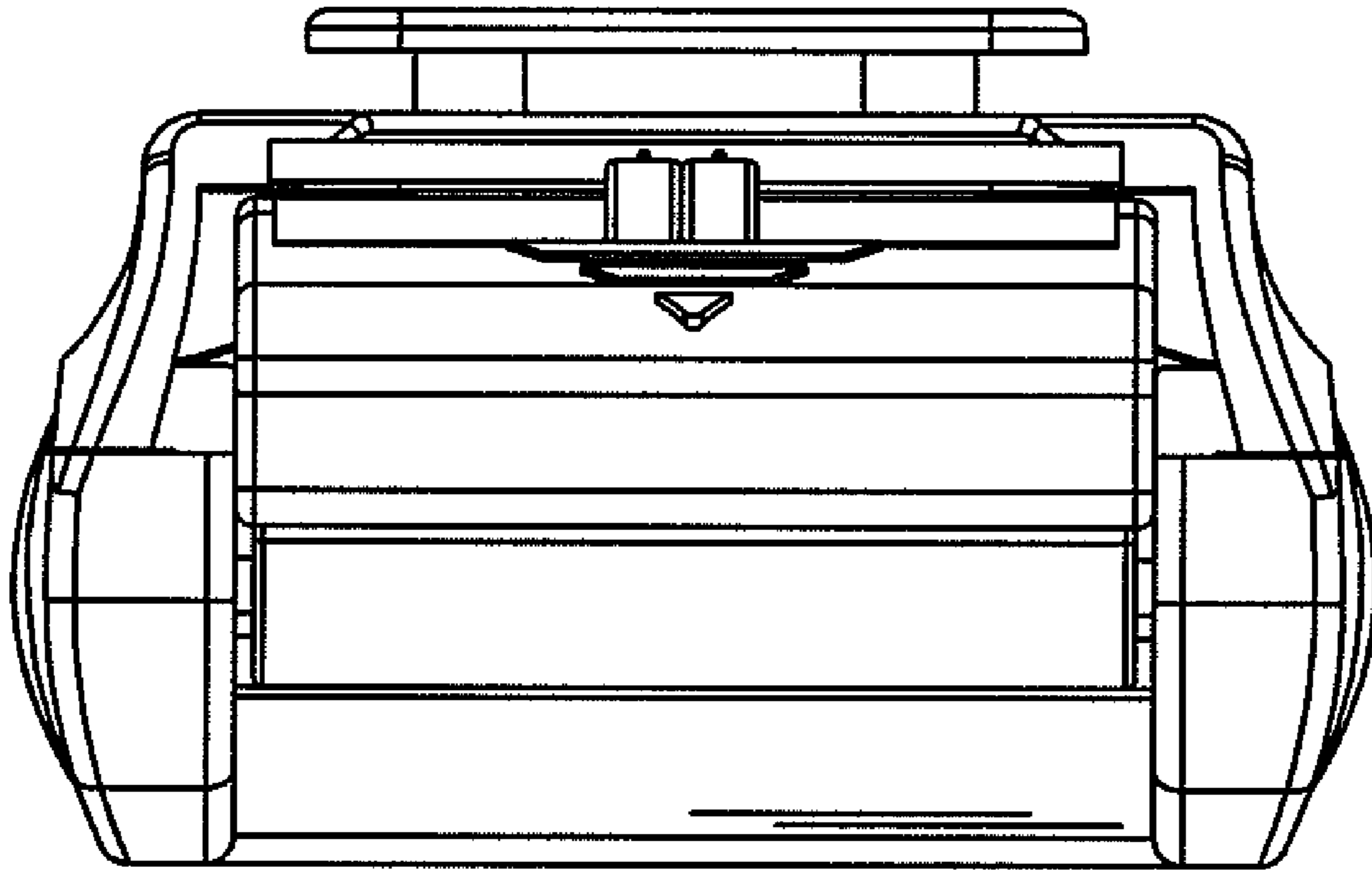


FIG. 3

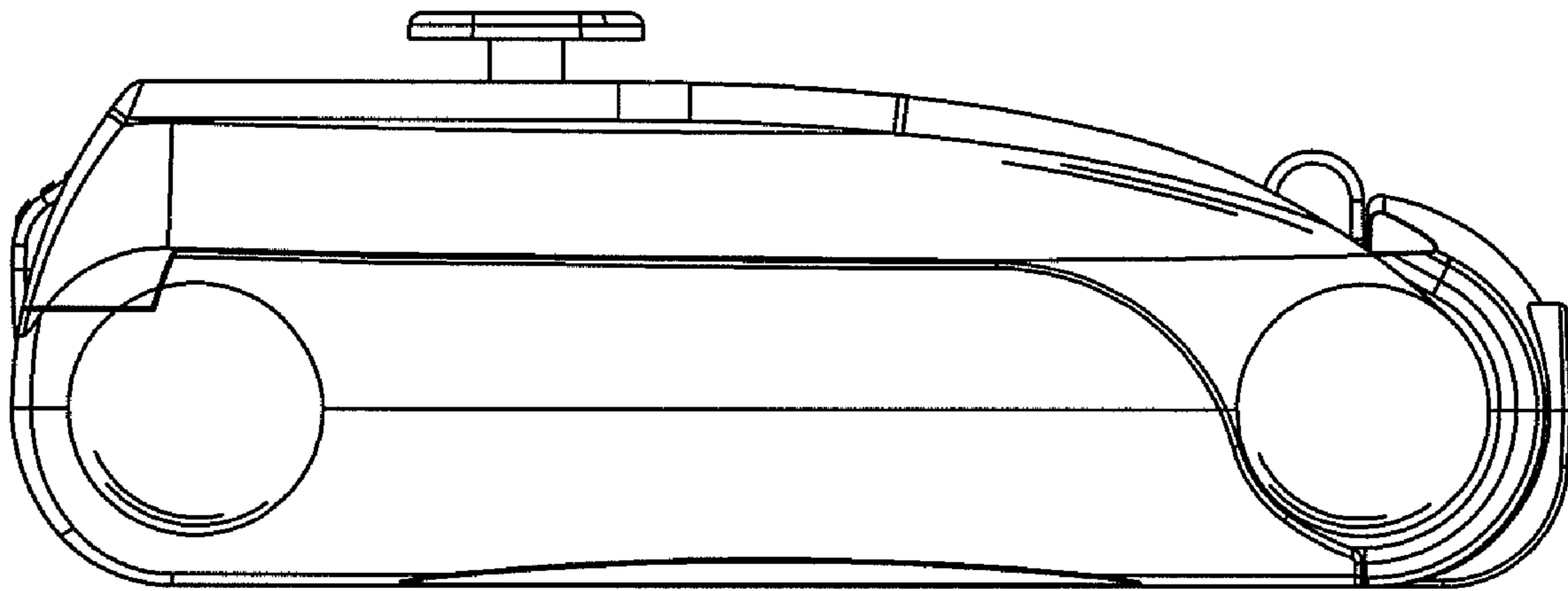


FIG. 4

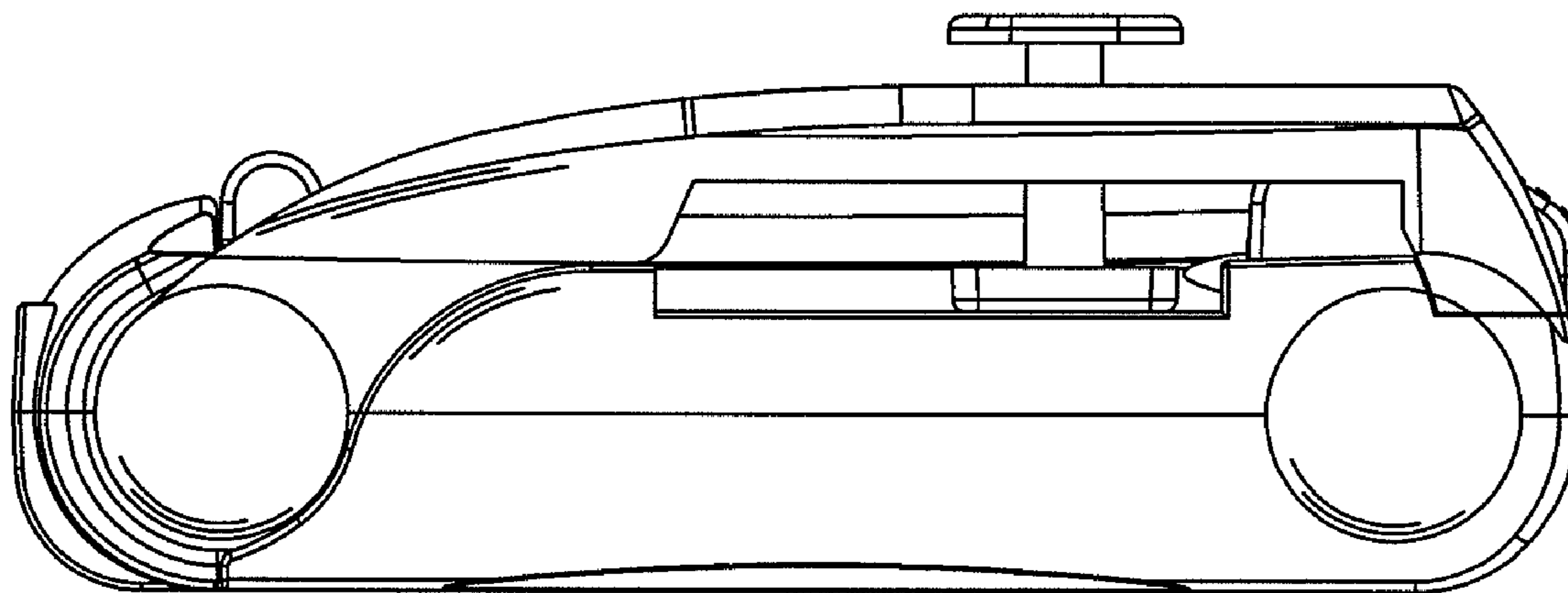


FIG. 5

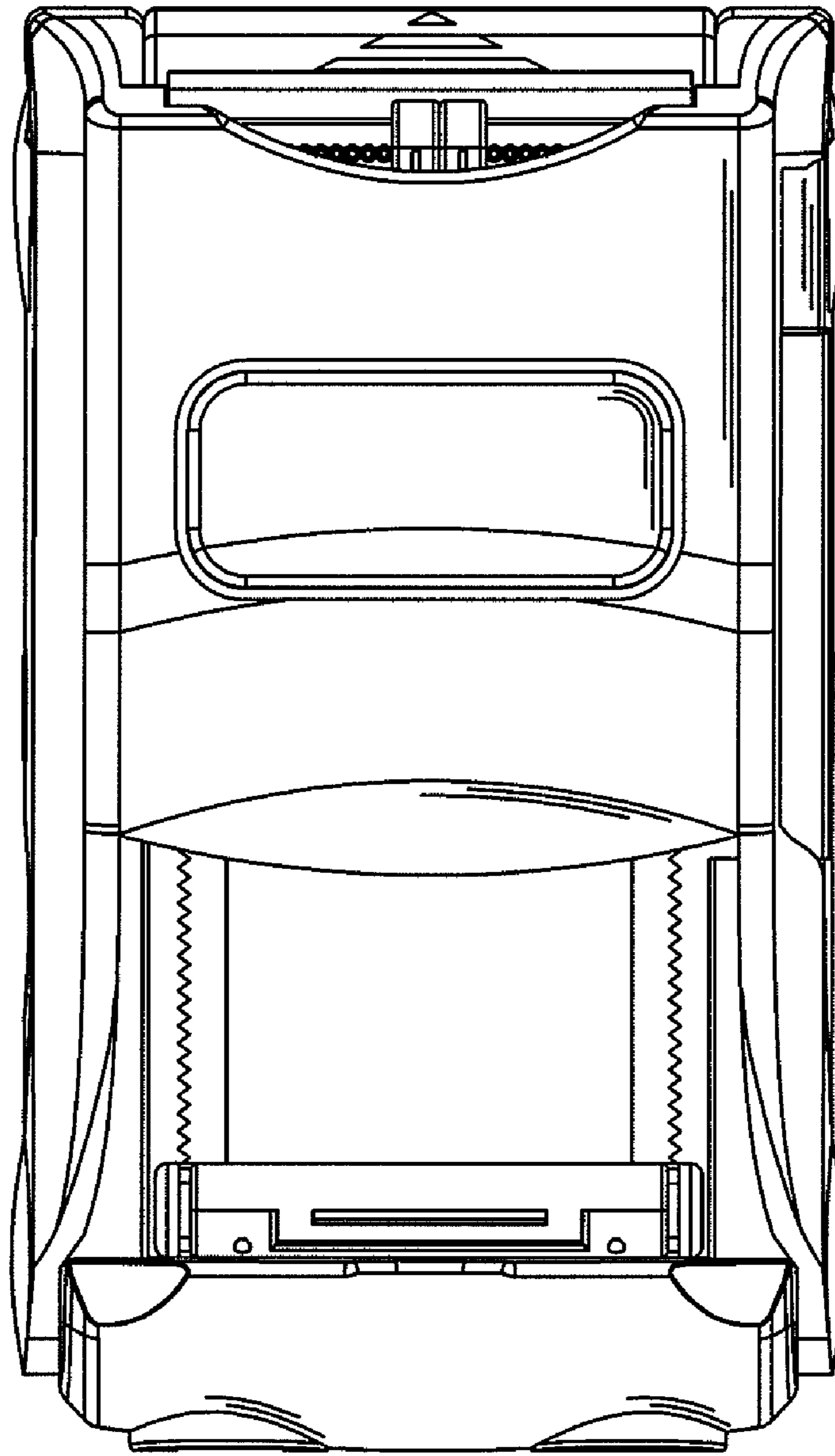


FIG. 6

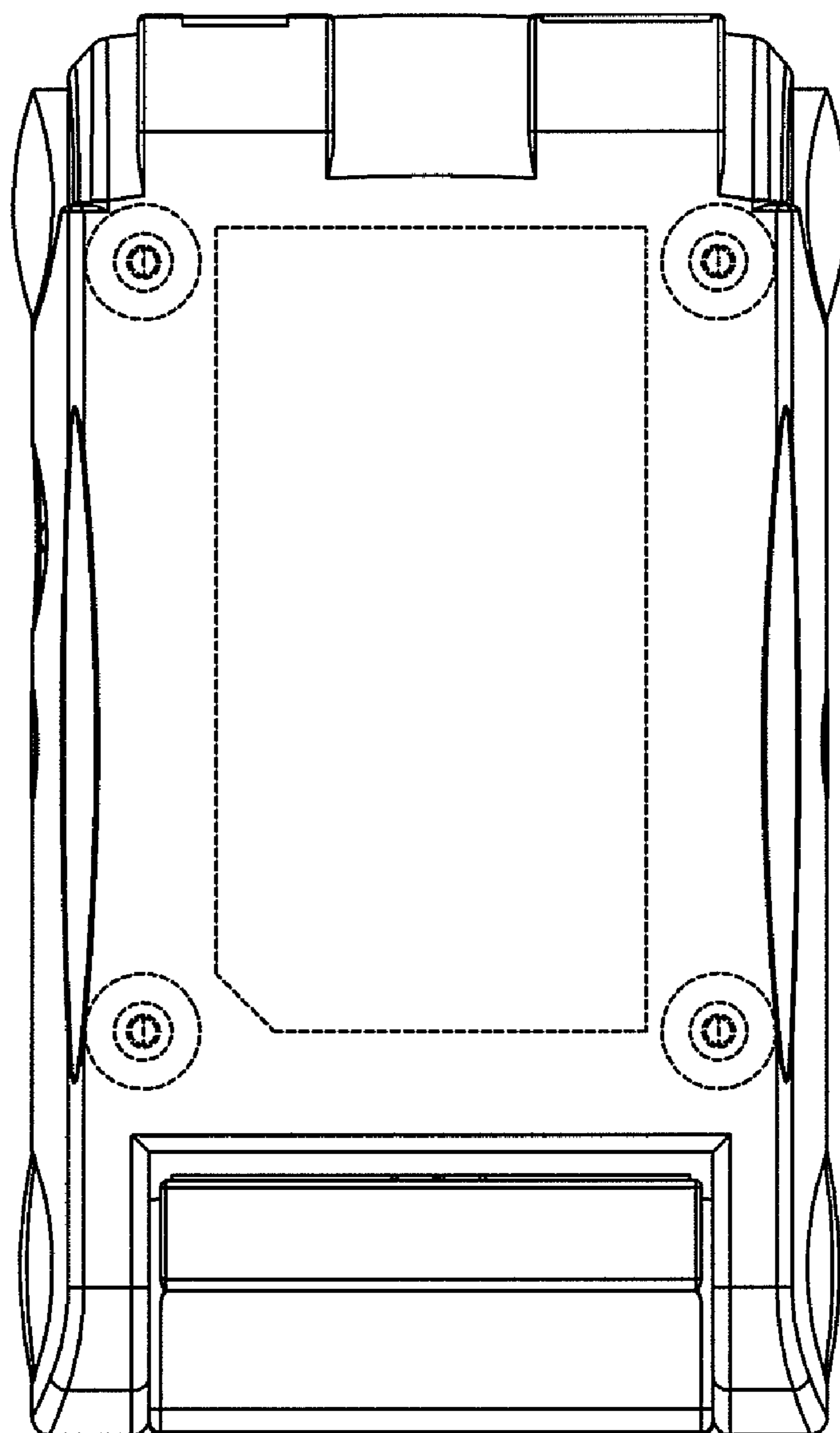


FIG. 7



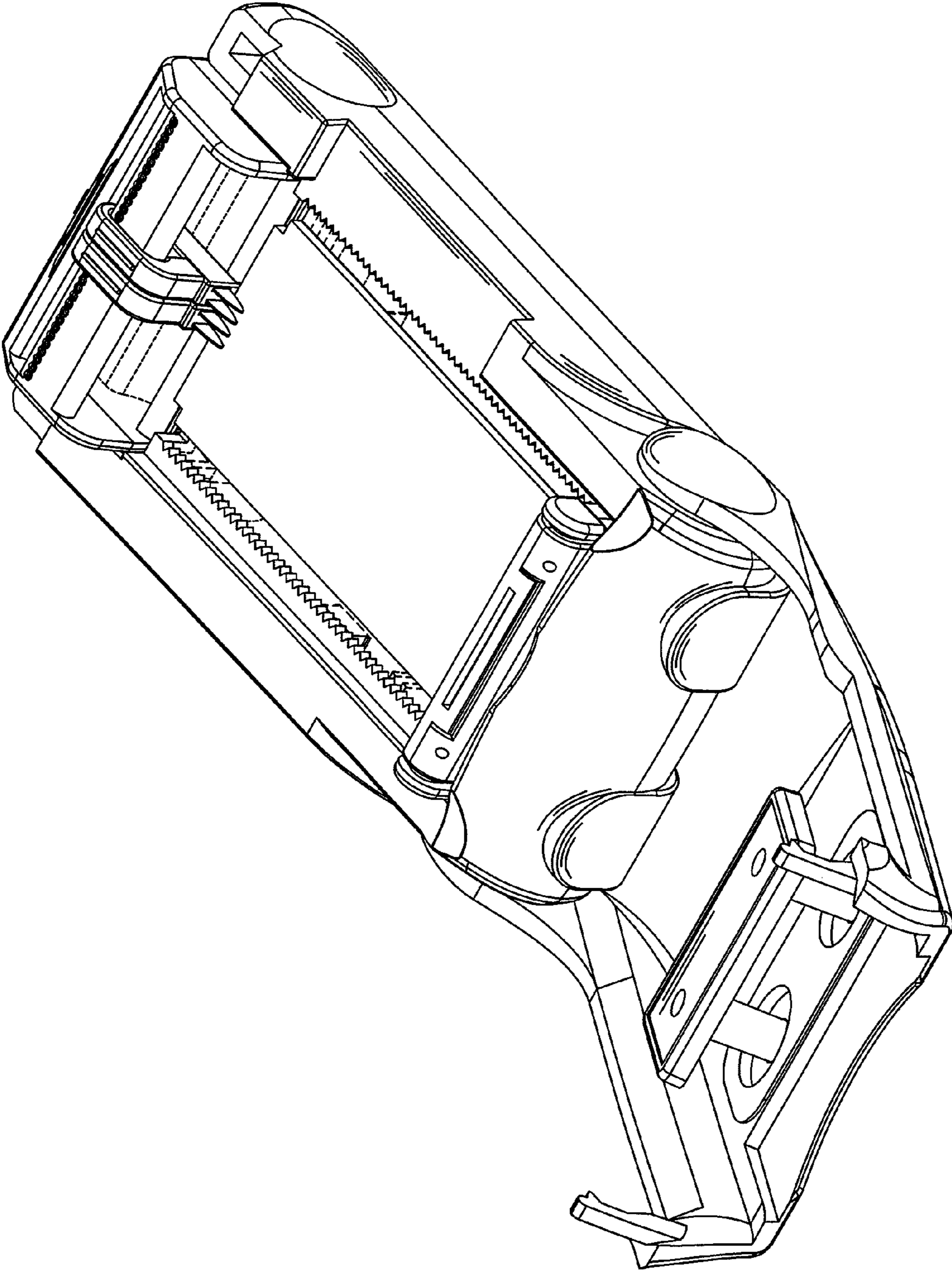


FIG. 8