



US00D605111S

(12) **United States Design Patent**
Schoch

(10) **Patent No.:** **US D605,111 S**

(45) **Date of Patent:** **** Dec. 1, 2009**

(54) **BATTERY CHARGER**

(75) Inventor: **Robert B. Schoch**, Baltimore, MD (US)

(73) Assignee: **Black & Decker Inc.**, Newark, DE (US)

(**) Term: **14 Years**

(21) Appl. No.: **29/321,974**

(22) Filed: **Jul. 28, 2008**

(51) **LOC (9) Cl.** **13-02**

(52) **U.S. Cl.** **D13/107**

(58) **Field of Classification Search** D13/107-110,
D13/118-119, 184; D14/251, 253, 432,
D14/434; 320/107-115

See application file for complete search history.

(56) **References Cited**

U.S. PATENT DOCUMENTS

D361,069 S *	8/1995	Hellier et al.	D14/253
D466,476 S *	12/2002	Stratford	D13/108
D487,570 S *	3/2004	Ito et al.	D13/107
D505,913 S *	6/2005	Kam Lun et al.	D13/107
D507,234 S	7/2005	Heun		
D507,525 S *	7/2005	Heun	D13/107
D529,439 S	10/2006	Glasgow et al.		
D532,744 S *	11/2006	Aglassinger	D13/108
D541,740 S *	5/2007	Tsai et al.	D13/108
D548,687 S	8/2007	Okuda et al.		

D549,707 S *	8/2007	Depay	D14/434
D551,618 S *	9/2007	Aglassinger	D13/108
D564,445 S *	3/2008	Stratford	D13/108
D573,089 S *	7/2008	Mandel et al.	D13/107

* cited by examiner

Primary Examiner—Jennifer Rivard

Assistant Examiner—Rosemary K Tarcza

(74) *Attorney, Agent, or Firm*—Bruce S. Shapiro; John Yun; Wesley W. Muller

(57) **CLAIM**

The ornamental design for a battery charger, as shown and described.

DESCRIPTION

FIG. 1 is a right/front perspective view of a battery charger.

FIG. 2 is a front view thereof.

FIG. 3 is a rear view thereof.

FIG. 4 is a left side view thereof.

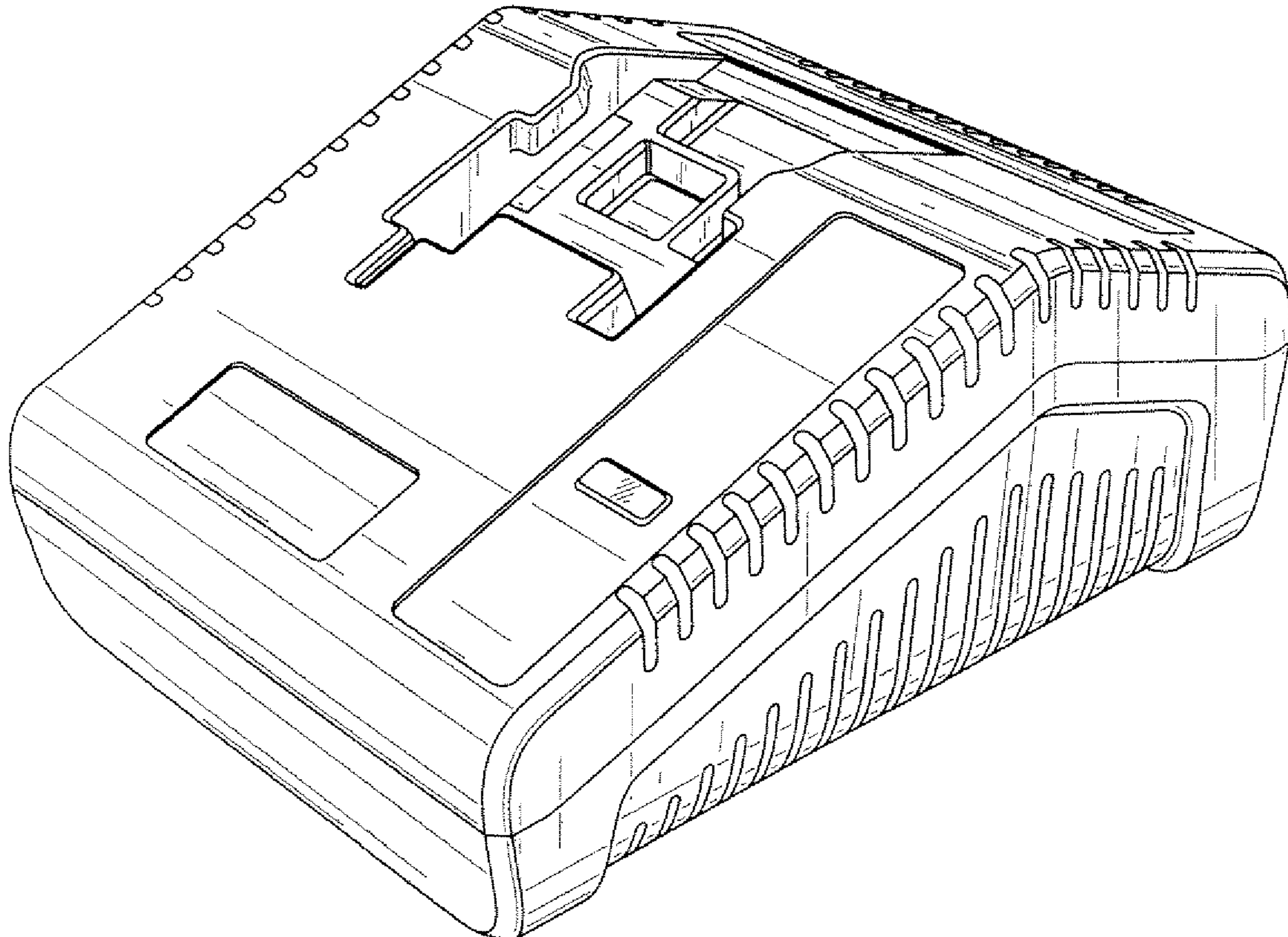
FIG. 5 is a right side view thereof.

FIG. 6 is a top view thereof; and,

FIG. 7 is a bottom view thereof.

The broken lines are for purposes of illustrating environmental structure. The broken lines and the structure they depict form no part of the claimed design.

1 Claim, 5 Drawing Sheets



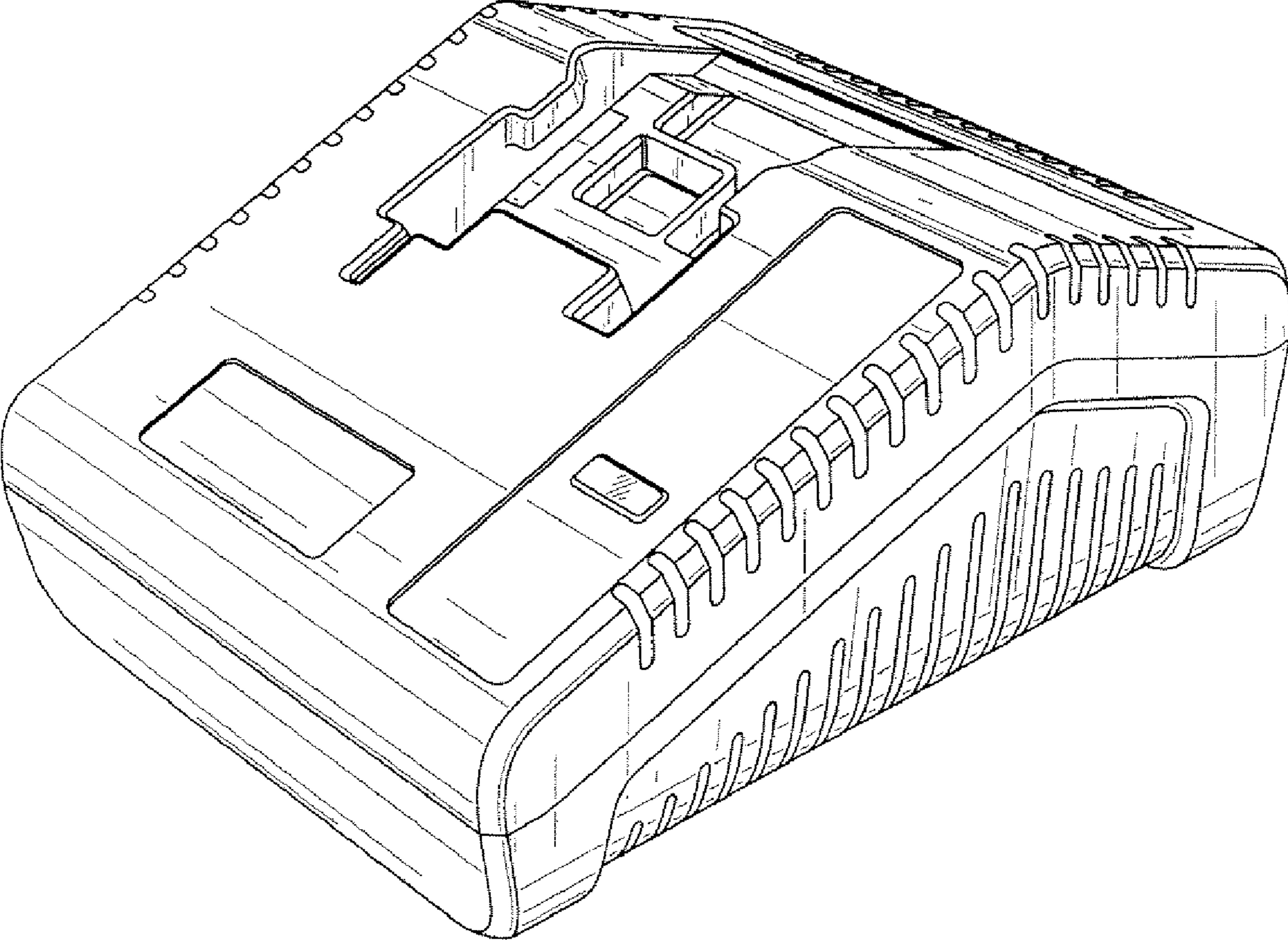


FIG. 1

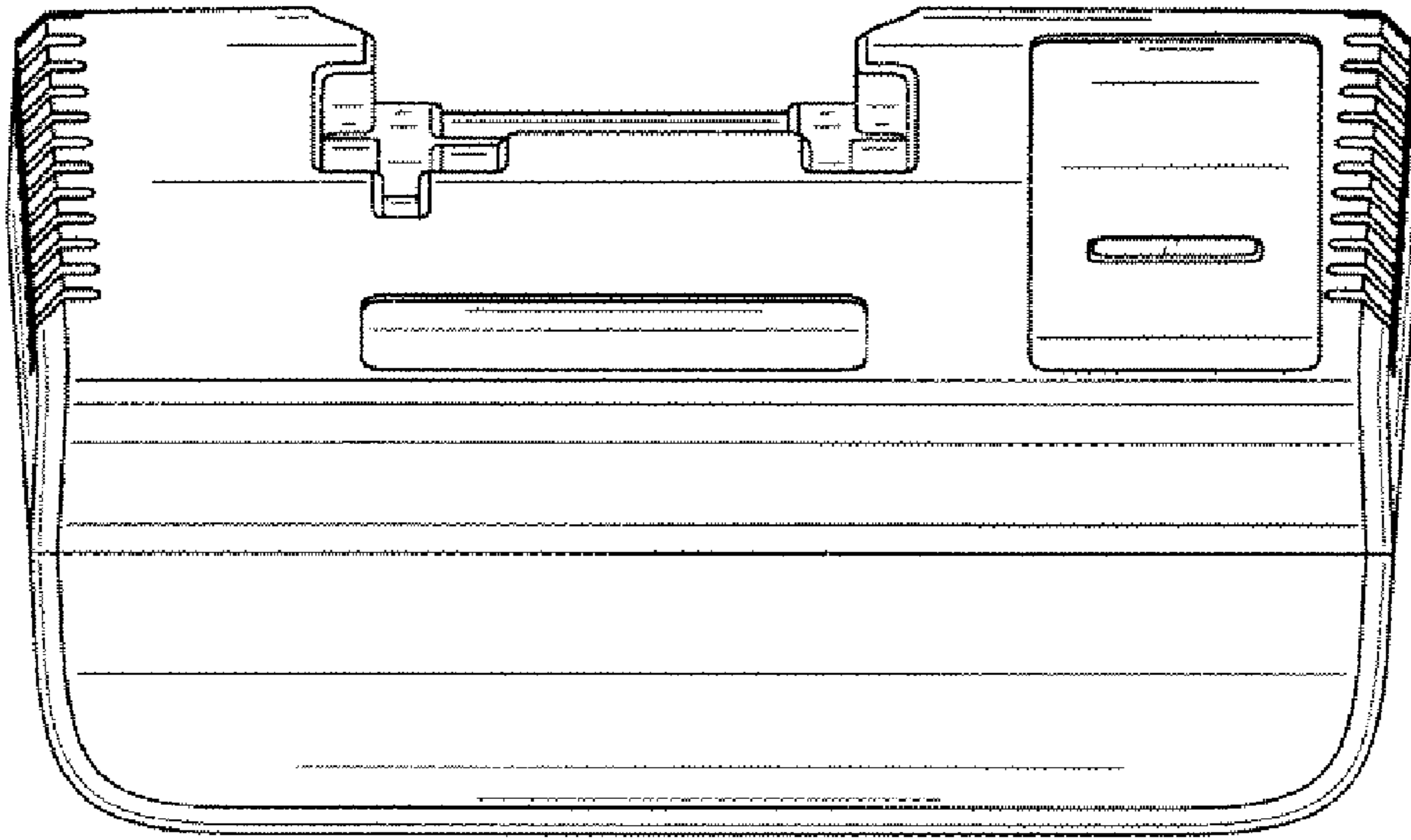


FIG. 2

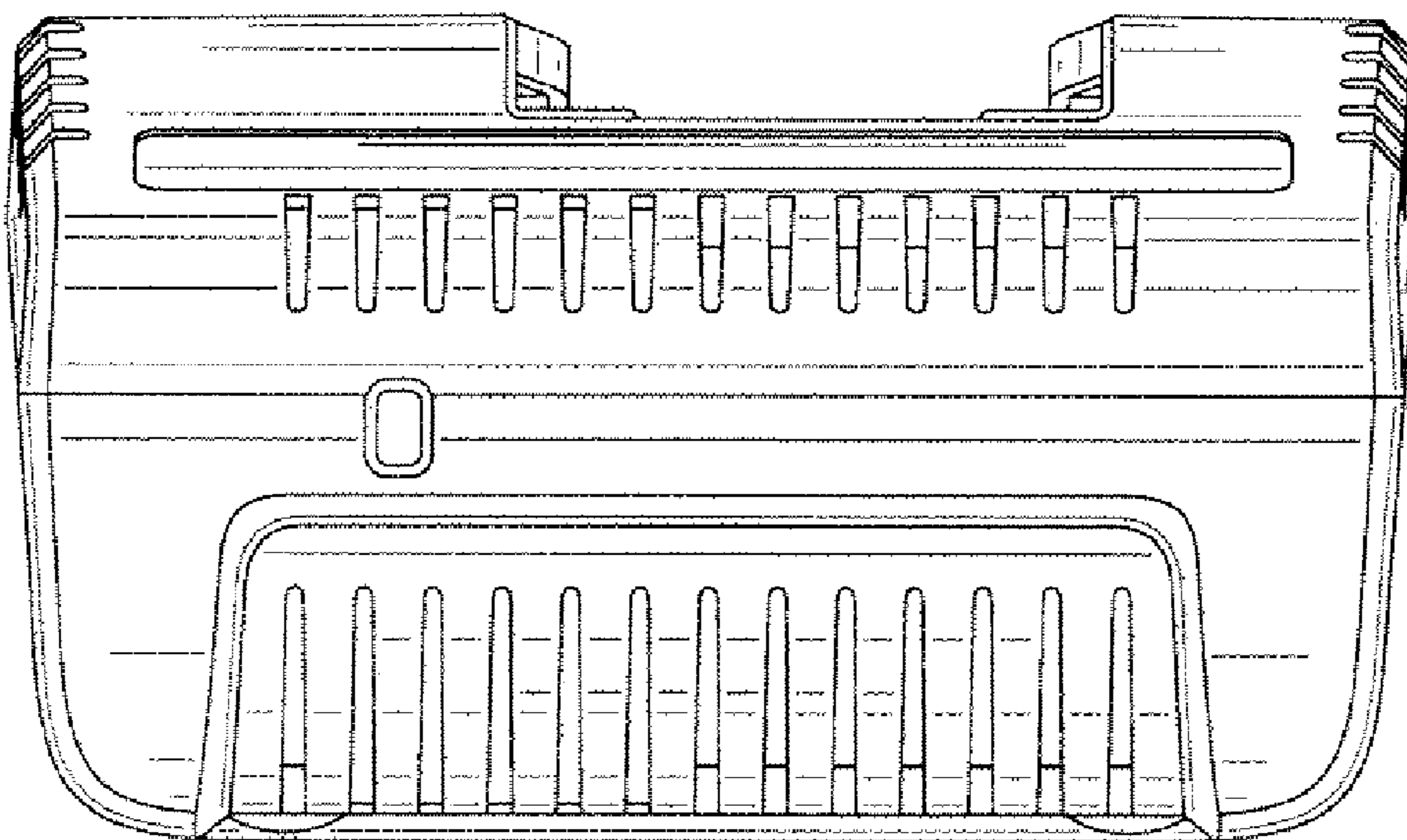


FIG. 3

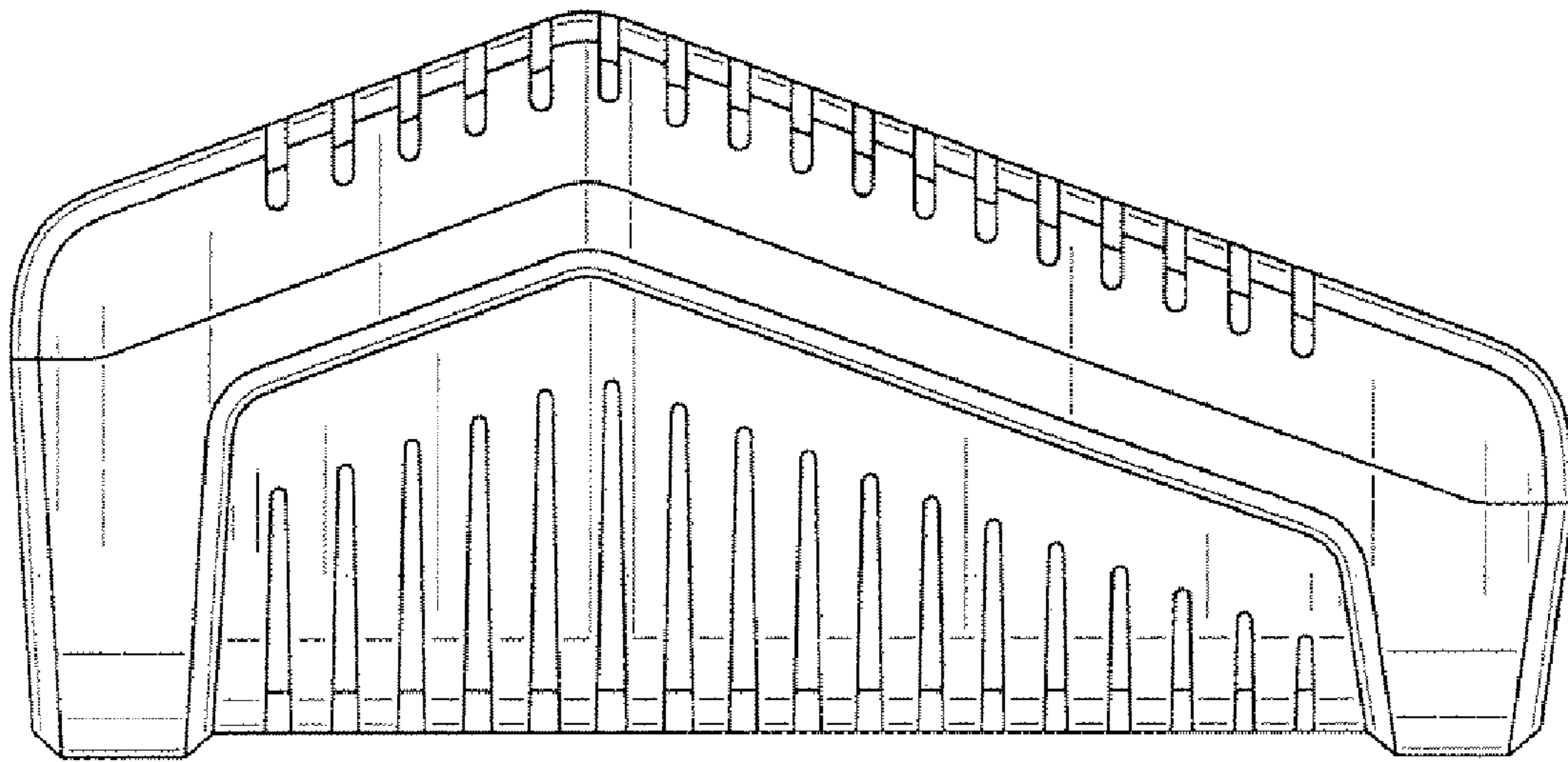


FIG. 4

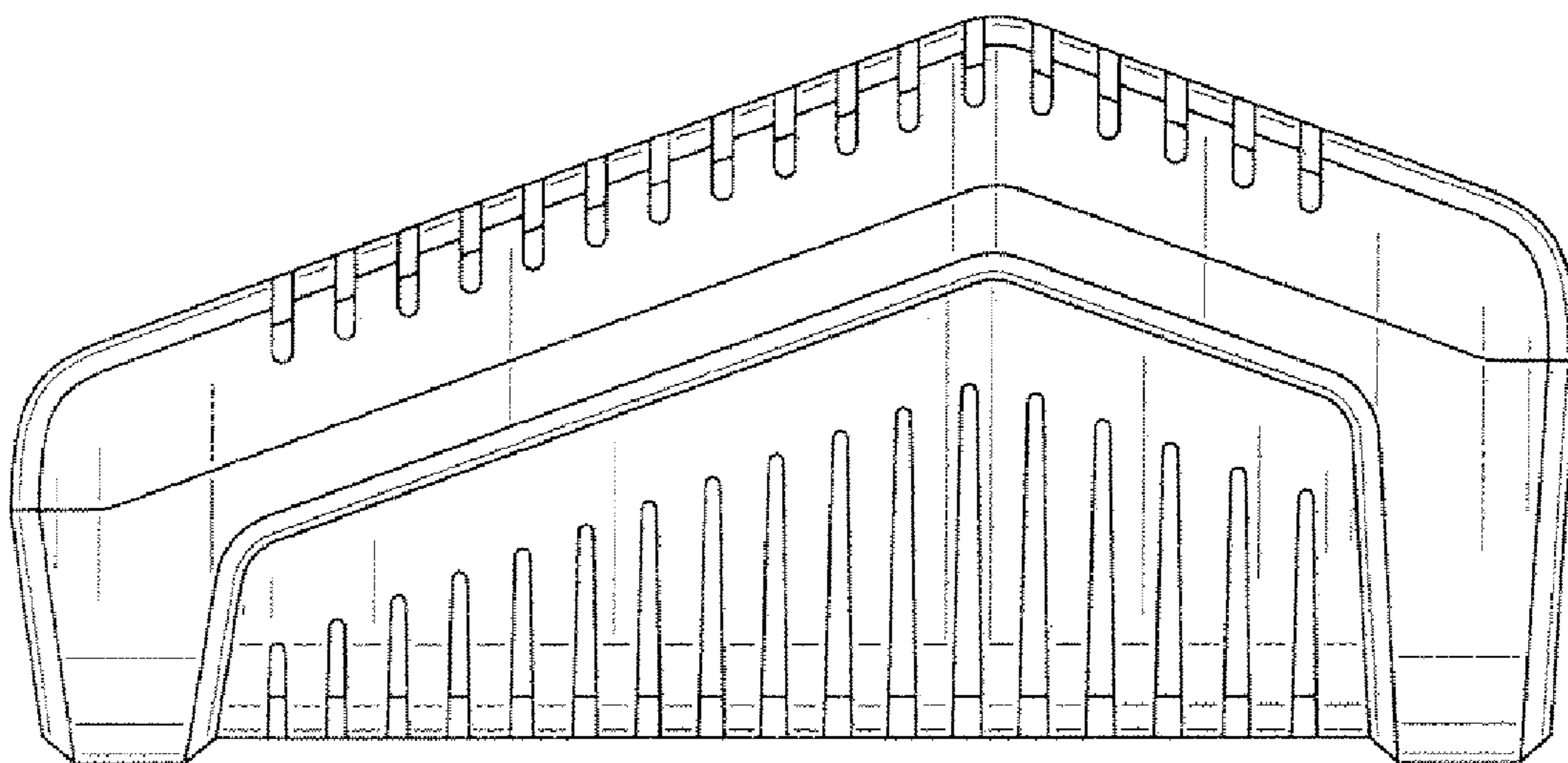


FIG. 5

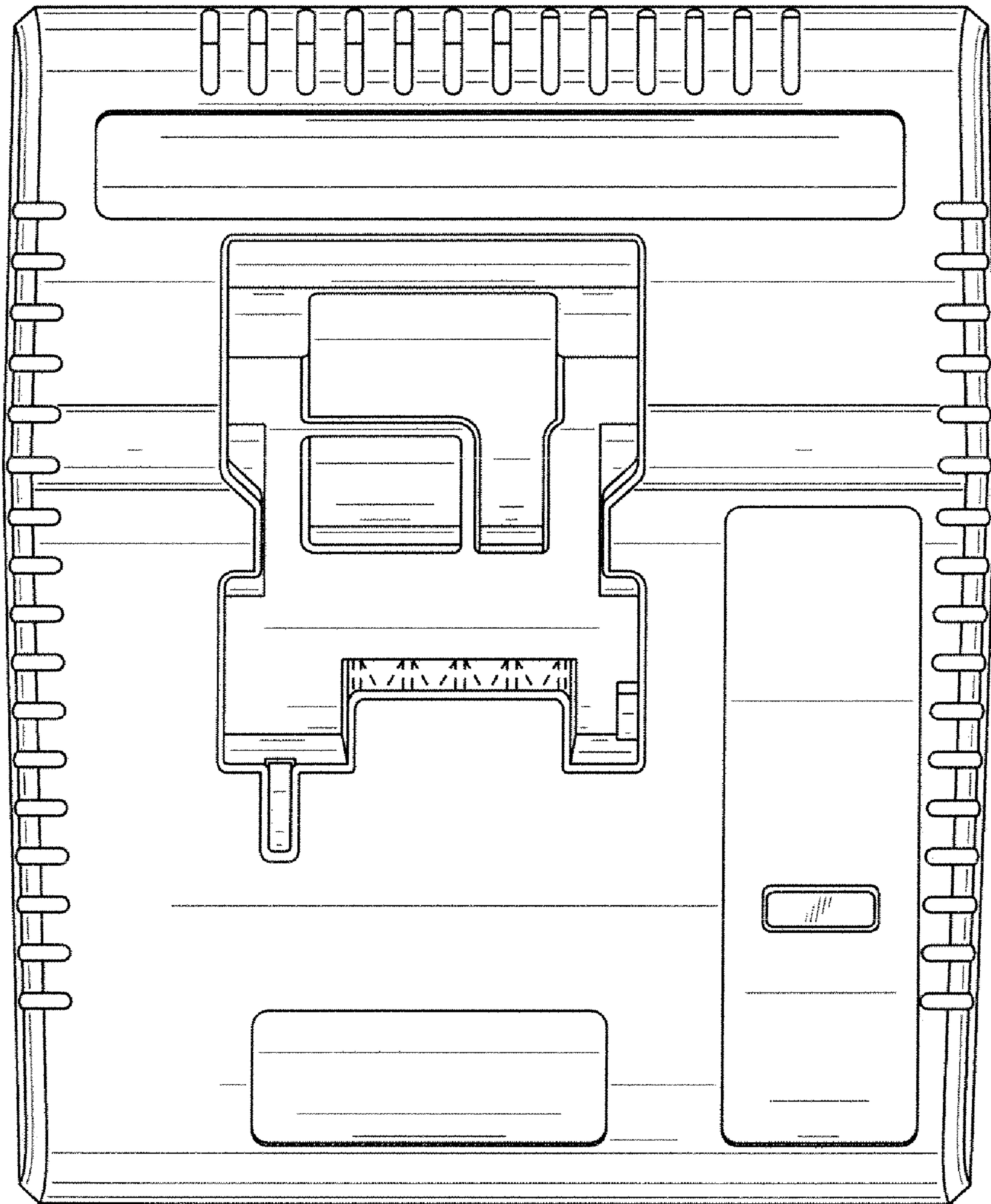


FIG. 6

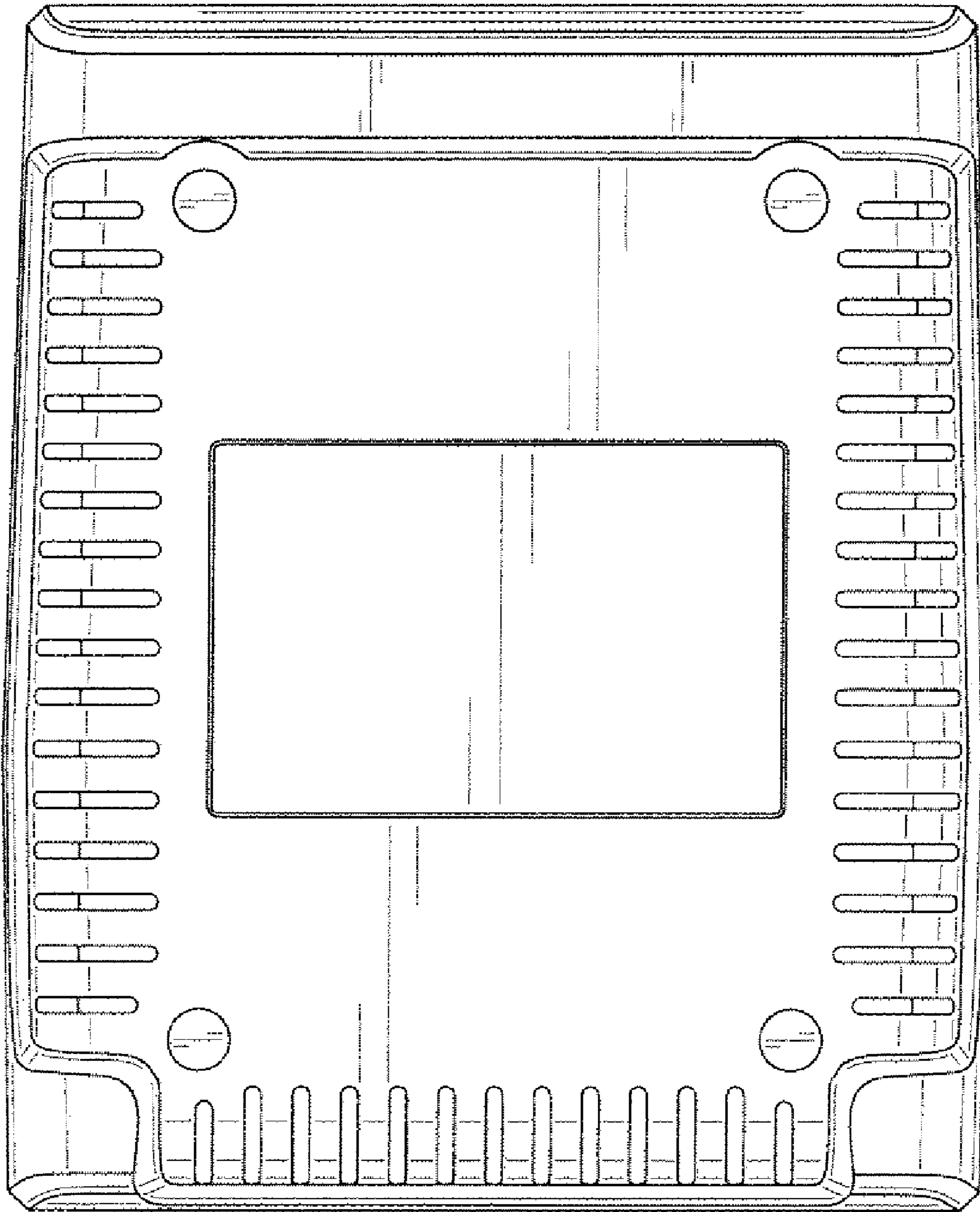


FIG. 7