

US00D605110S

(12) **United States Design Patent**
Le Gros

(10) **Patent No.:** **US D605,110 S**
(45) **Date of Patent:** **** Dec. 1, 2009**

(54) **SOLAR HEATER FOR SWIMMING POOLS**

(75) Inventor: **M. Bertrand Le Gros**, Troyes (FR)

(73) Assignee: **Wisenet**, La Chapelle-Saint Luc (FR)

(**) Term: **14 Years**

(21) Appl. No.: **29/335,023**

(22) Filed: **Apr. 7, 2009**

(30) **Foreign Application Priority Data**

Oct. 7, 2008 (EM) 001 016 174

(51) **LOC (9) Cl.** **13-02**

(52) **U.S. Cl.** **D13/102**

(58) **Field of Classification Search** D13/102,
D13/101, 184, 199; 4/493, 498; 126/561-568,
126/623, 624, 626, 627, 904; 136/206, 244-251,
136/256, 291, 292

See application file for complete search history.

(56) **References Cited**

U.S. PATENT DOCUMENTS

D244,537 S * 5/1977 Riley D13/102
4,146,015 A * 3/1979 Acker 126/565
D258,608 S * 3/1981 du Plooy D13/102
4,289,112 A * 9/1981 Roseen 126/568
D273,804 S * 5/1984 Fueleop D23/263

D307,260 S * 4/1990 Happy et al. D13/102
5,347,984 A * 9/1994 Klaren 126/564
D442,139 S * 5/2001 Sasaoka D13/102
6,385,791 B1 * 5/2002 Bussey et al. 4/498
D474,444 S * 5/2003 Elgner D13/102
D534,488 S * 1/2007 Rosene et al. D13/102

* cited by examiner

Primary Examiner—Prabhakar Deshmukh

Assistant Examiner—Derrick Holland

(74) *Attorney, Agent, or Firm*—Young & Thompson

(57) **CLAIM**

The ornamental design for a solar heater for swimming pools,
as shown and described.

DESCRIPTION

FIG. 1 is a perspective view of a solar heater for swimming
pools, showing my new design;

FIG. 2 is another perspective view thereof;

FIG. 3 is a partially enlarged detail view thereof;

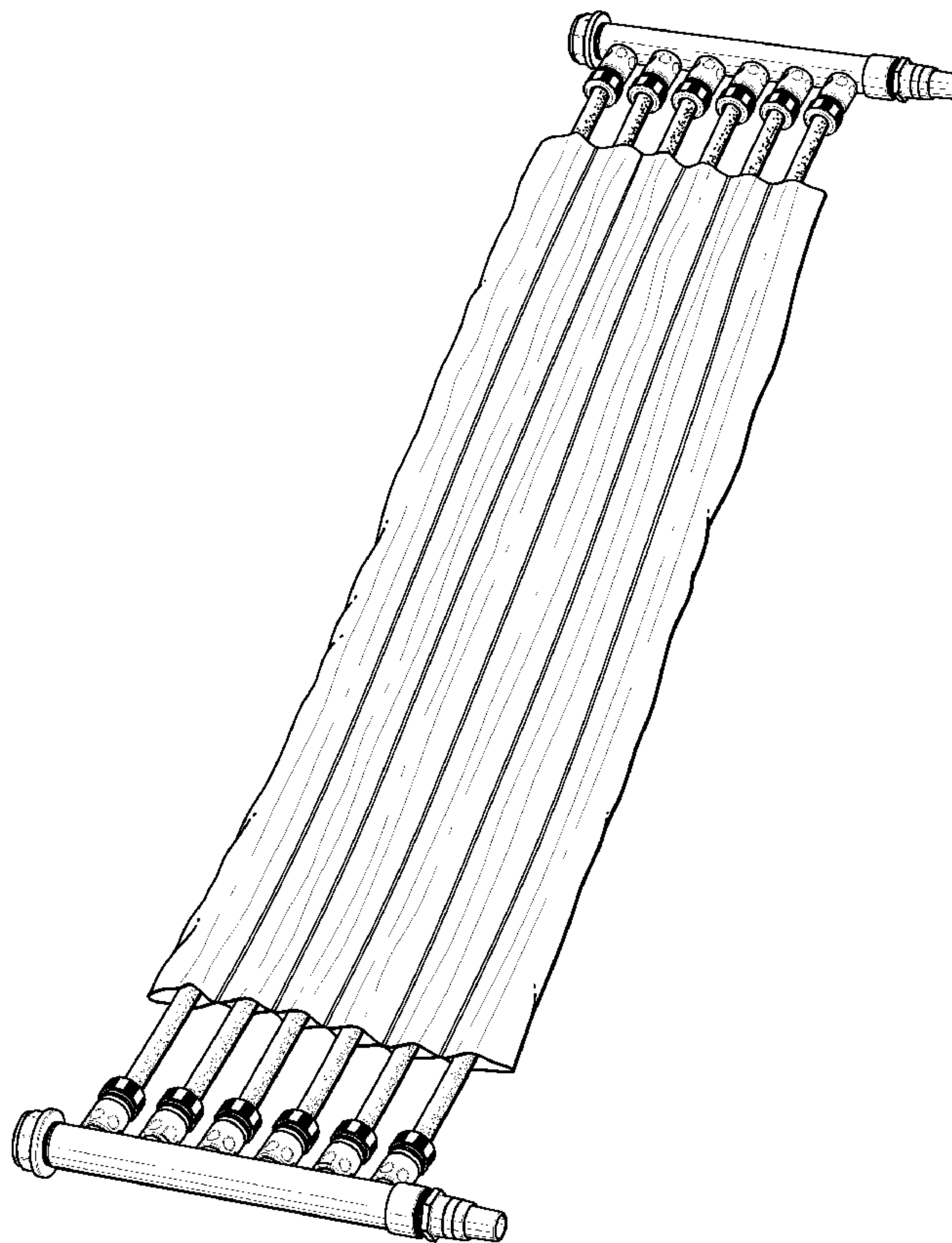
FIG. 4 is a second partially enlarged detail view thereof;

FIG. 5 is a third partially enlarged detail view thereof;

FIG. 6 is a fourth partially enlarged detail view thereof; and,

FIG. 7 is a fifth partially enlarged detail view thereof.

1 Claim, 7 Drawing Sheets



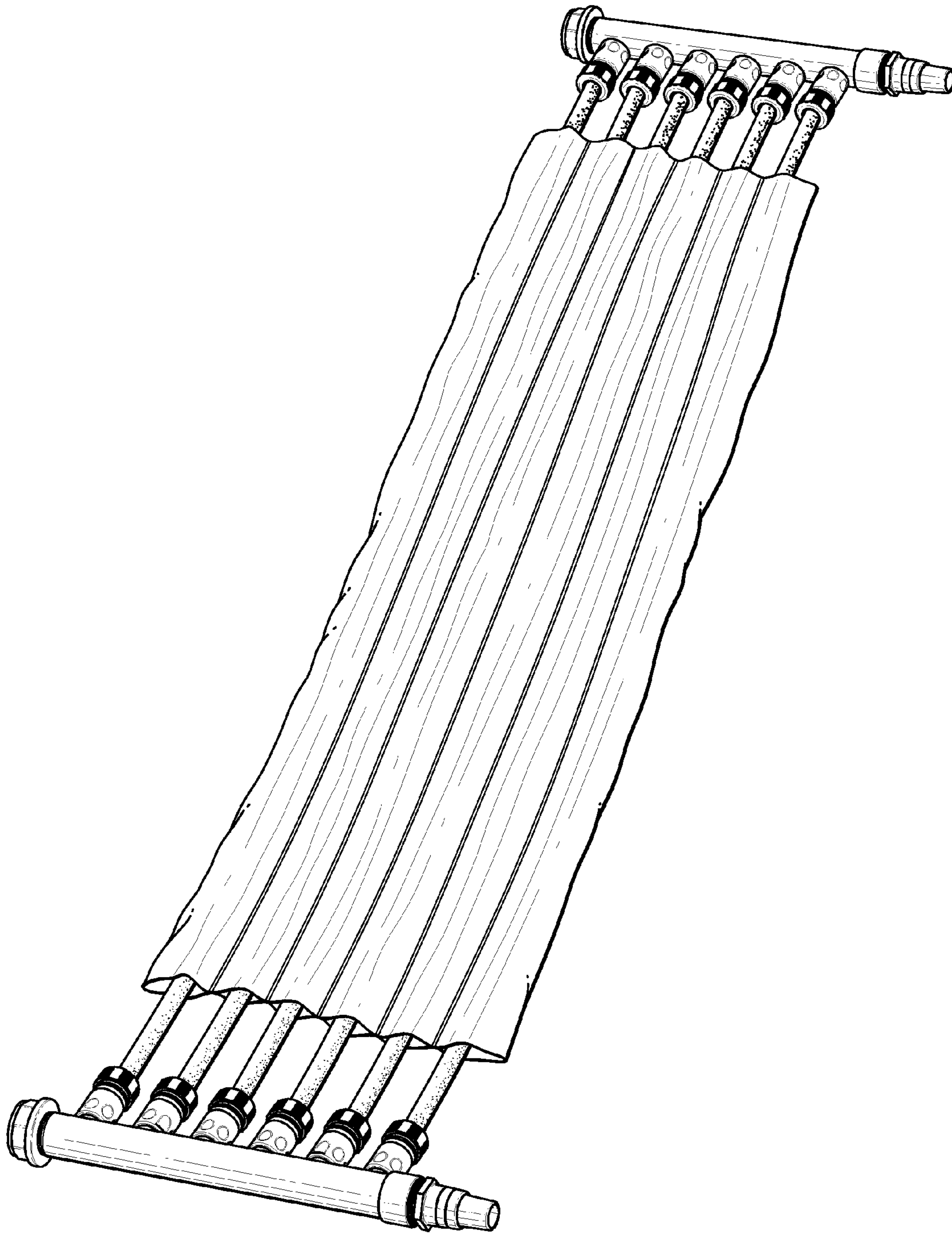


FIG. 1

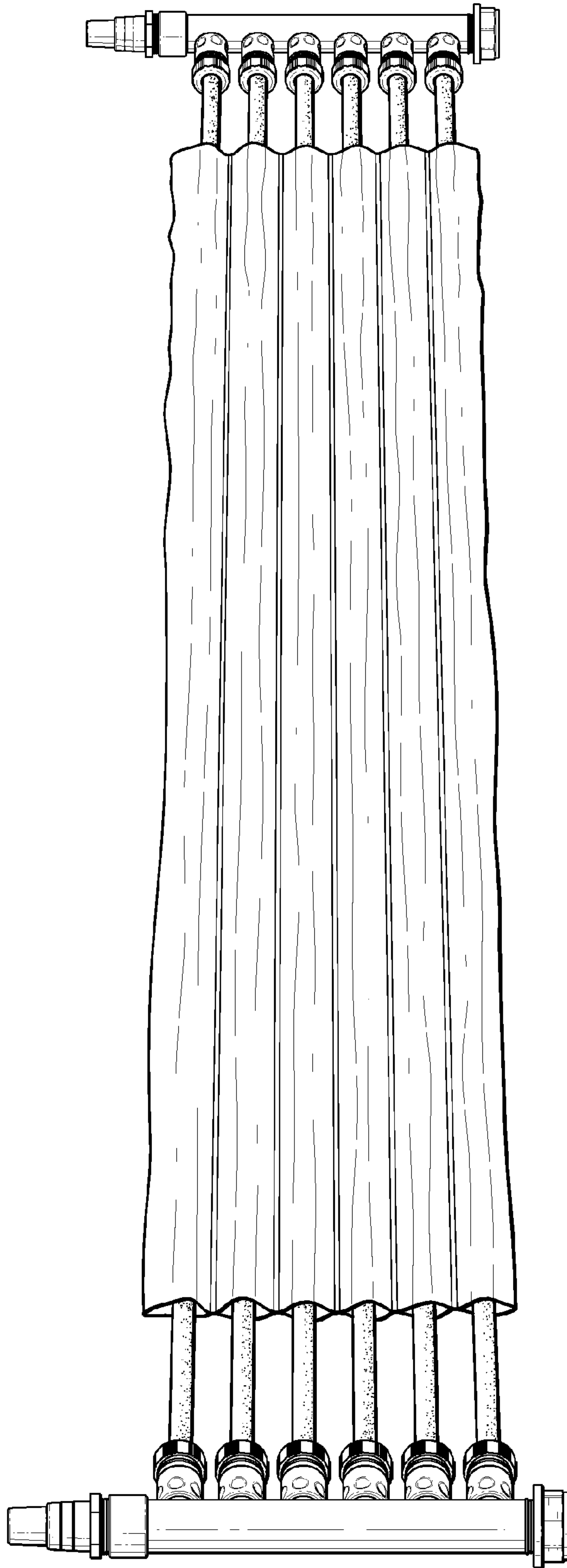


FIG. 2

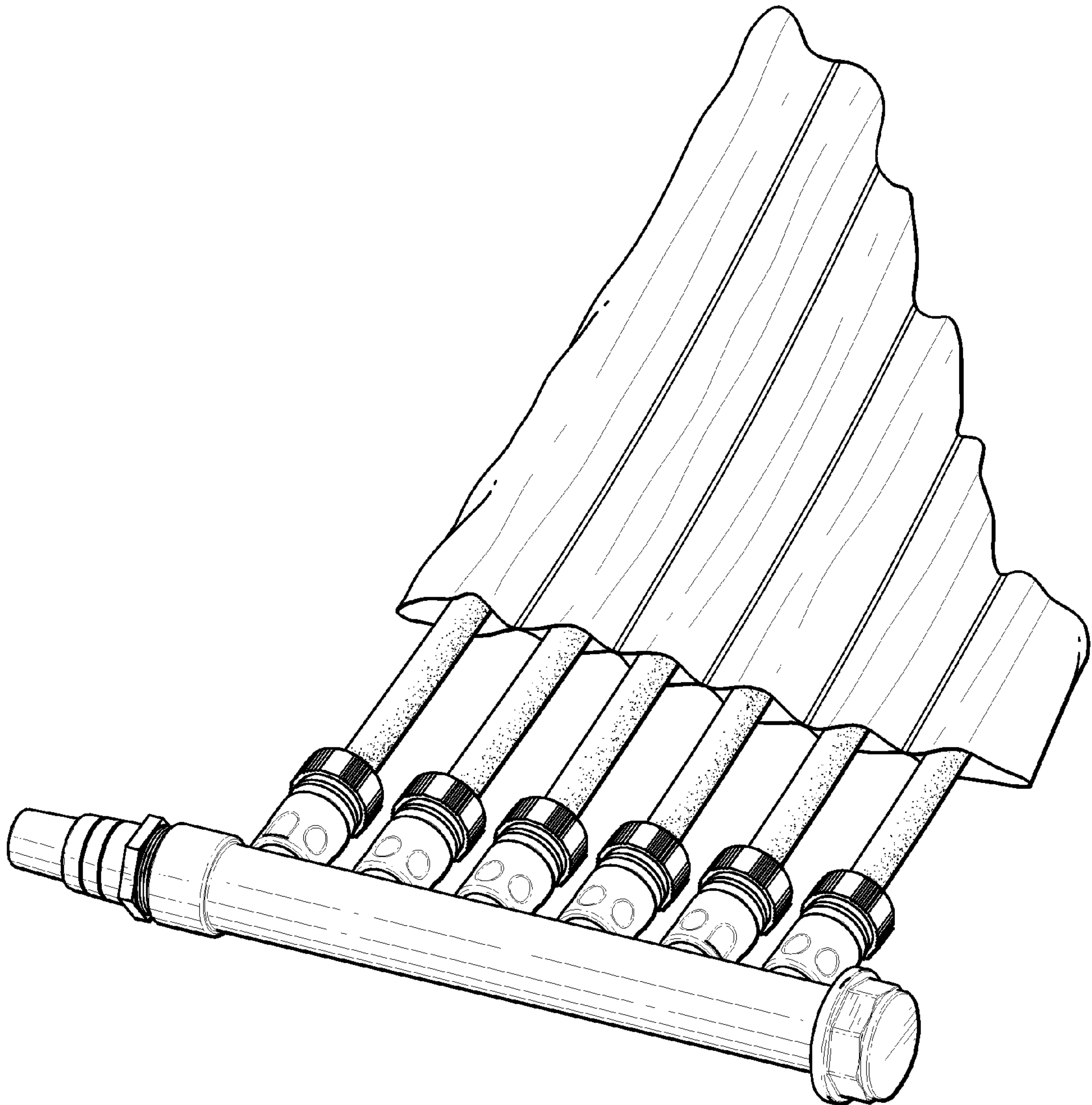


FIG. 3

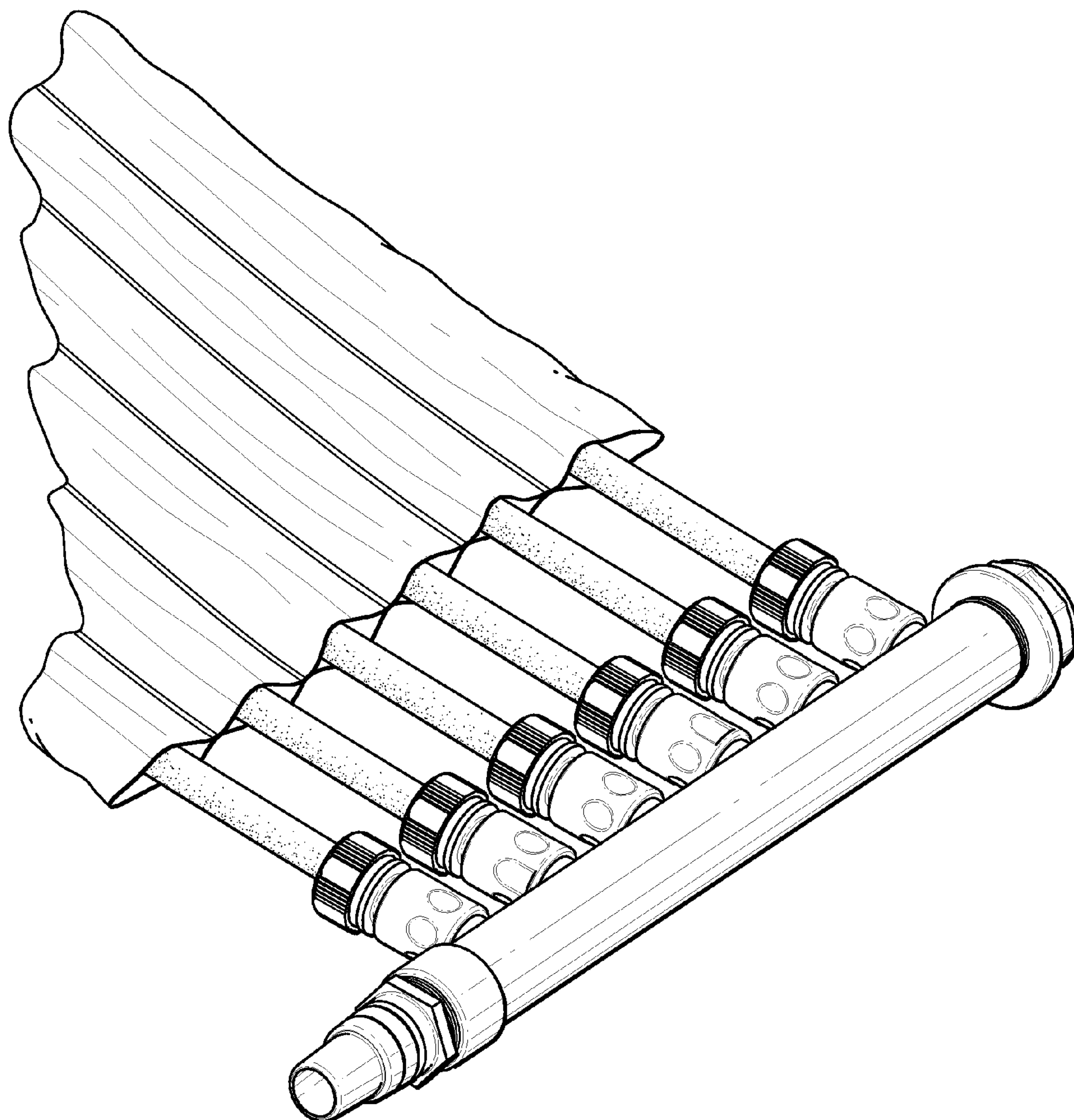


FIG. 4

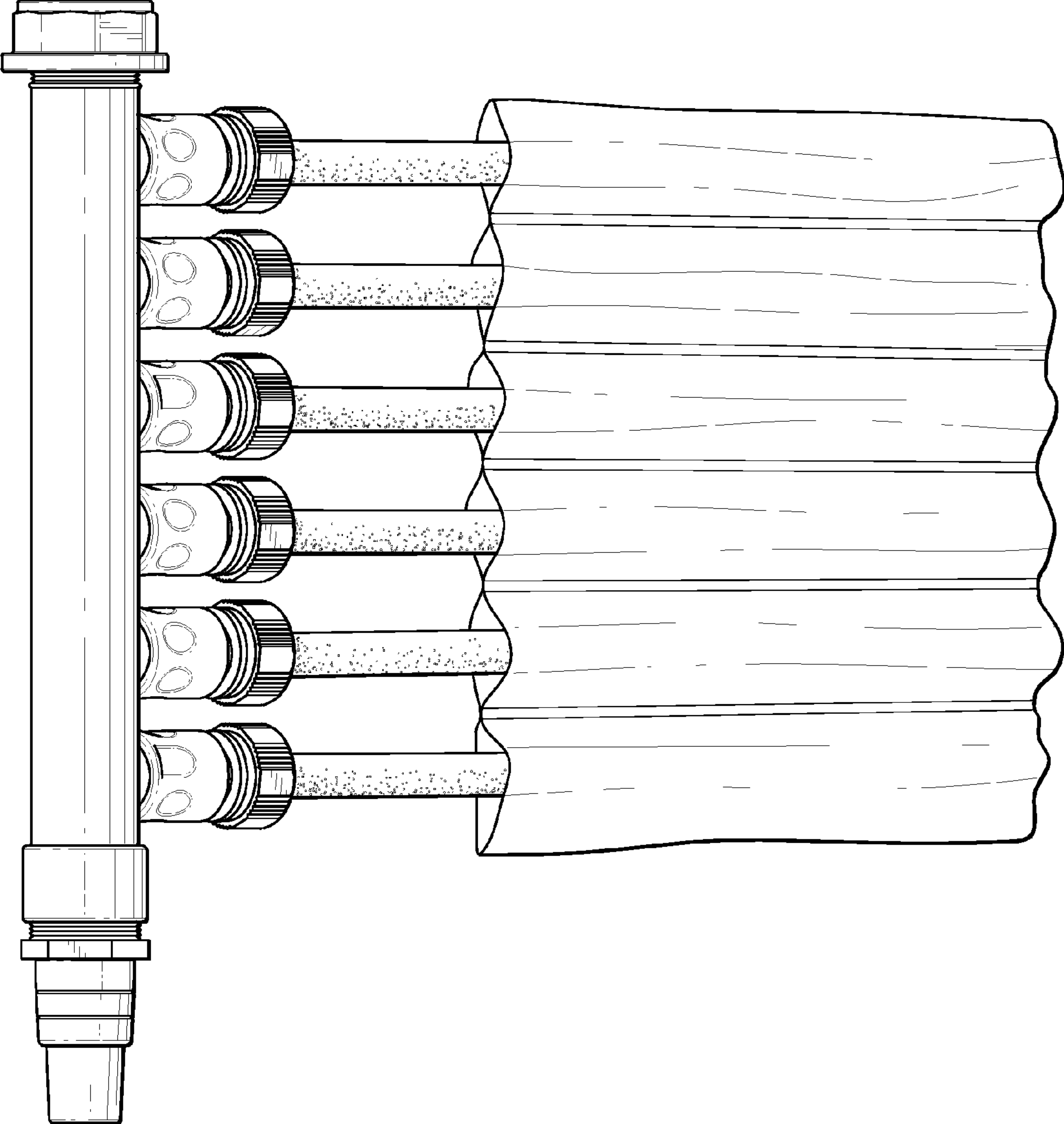


FIG. 5

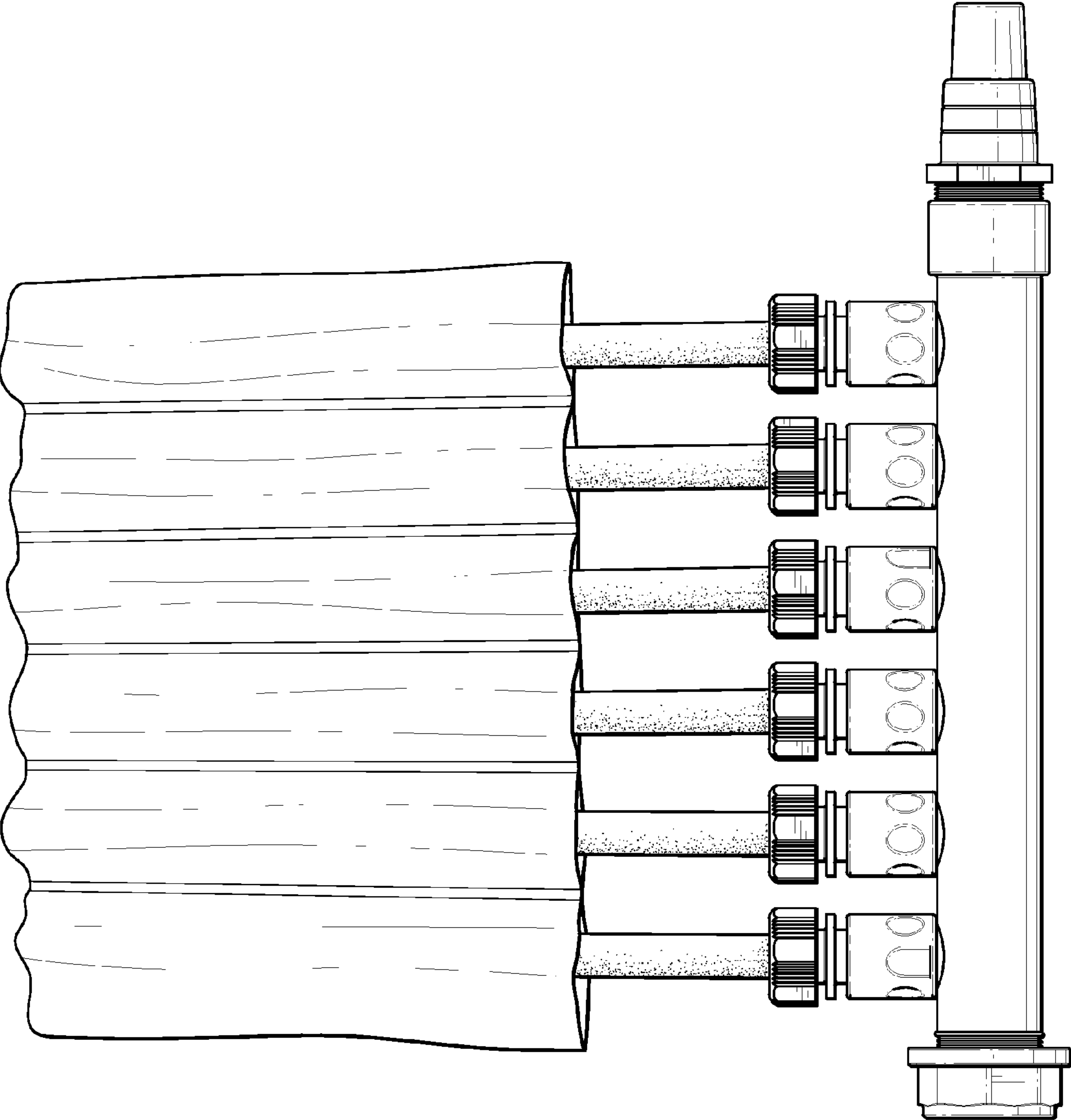


FIG. 6

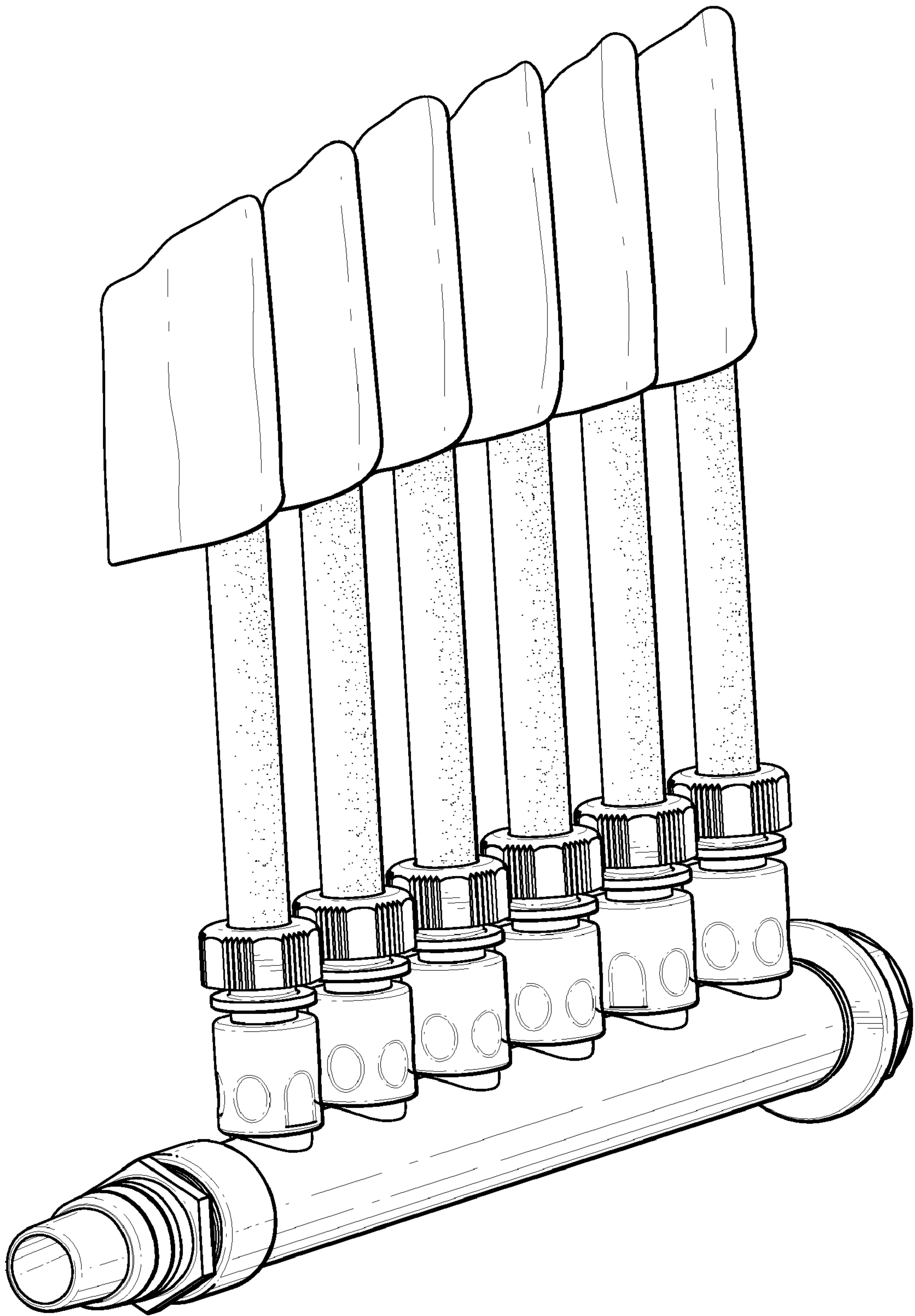


FIG. 7