



US00D605107S

(12) **United States Design Patent**
Ludwig et al.

(10) **Patent No.:** **US D605,107 S**

(45) **Date of Patent:** **** Dec. 1, 2009**

(54) **TIRE**

(75) Inventors: **Kristine Nicole Ludwig**, Akron, OH (US); **Daniel Thomas Murphy**, Mogadore, OH (US); **Max Harold Dixon**, Kent, OH (US); **Paul Keyser Blackiston, III**, Massillon, OH (US); **Richard Winfield Harden, Jr.**, Tallmadge, OH (US); **Walter Lee Welker**, Akron, OH (US); **Carlos Ramon Cipollitti**, Luxembourg (LU); **George Richard Kirk**, Akron, OH (US)

(73) Assignee: **The Goodyear Tire & Rubber Company**, Akron, OH (US)

(**) Term: **14 Years**

(21) Appl. No.: **29/283,948**

(22) Filed: **Aug. 28, 2007**

(51) **LOC (9) Cl.** **12-16**

(52) **U.S. Cl.** **D12/588**

(58) **Field of Classification Search** D12/568-603;
152/209.1, 209.8, 209.9, 209.25, 209.12,
152/209.18

See application file for complete search history.

(56) **References Cited**

U.S. PATENT DOCUMENTS

D384,313 S	9/1997	Harden, Jr.	D12/147
D385,234 S	10/1997	Young	D12/141
D385,235 S	10/1997	Young	D12/141
D388,369 S	12/1997	Harden, Jr.	D12/146
D388,370 S	12/1997	Young et al.	D12/146
D389,107 S	1/1998	Young	D12/147
D397,647 S	9/1998	Young	D12/146
D414,725 S *	10/1999	Kemp, Jr.	D12/588
D423,421 S	4/2000	Young	D12/142
D448,707 S	10/2001	Maziarka et al.	D12/147
D451,860 S	12/2001	Schuster et al.	D12/147
D455,120 S	4/2002	Dixon et al.	D12/598
D455,709 S	4/2002	Dixon et al.	D12/588
D456,769 S	5/2002	Dixon et al.	D12/600
D459,696 S	7/2002	Robert et al.	D12/594

D461,162 S	8/2002	Young et al.	D12/595
D481,670 S	11/2003	Harden, Jr. et al.	D12/595
D481,992 S	11/2003	Harden, Jr. et al.	D12/595
D492,646 S	7/2004	Robert et al.	D12/600
D583,308 S *	12/2008	Ludwig et al.	D12/588

* cited by examiner

Primary Examiner—Caron Veynar

Assistant Examiner—George D Kirschbaum

(74) *Attorney, Agent, or Firm*—Richard B. O’Planick

(57) **CLAIM**

The ornamental design for a tire, as shown and described.

DESCRIPTION

FIG. 1 is a perspective view of a tire showing our new design, it being understood that the pattern repeats uniformly throughout the circumference of the tread;

FIG. 2 is a front elevational view thereof;

FIG. 3 is a right side elevational view thereof; the other side being a mirror image thereof;

FIG. 4 is an enlarged fragmentary front elevational view thereof;

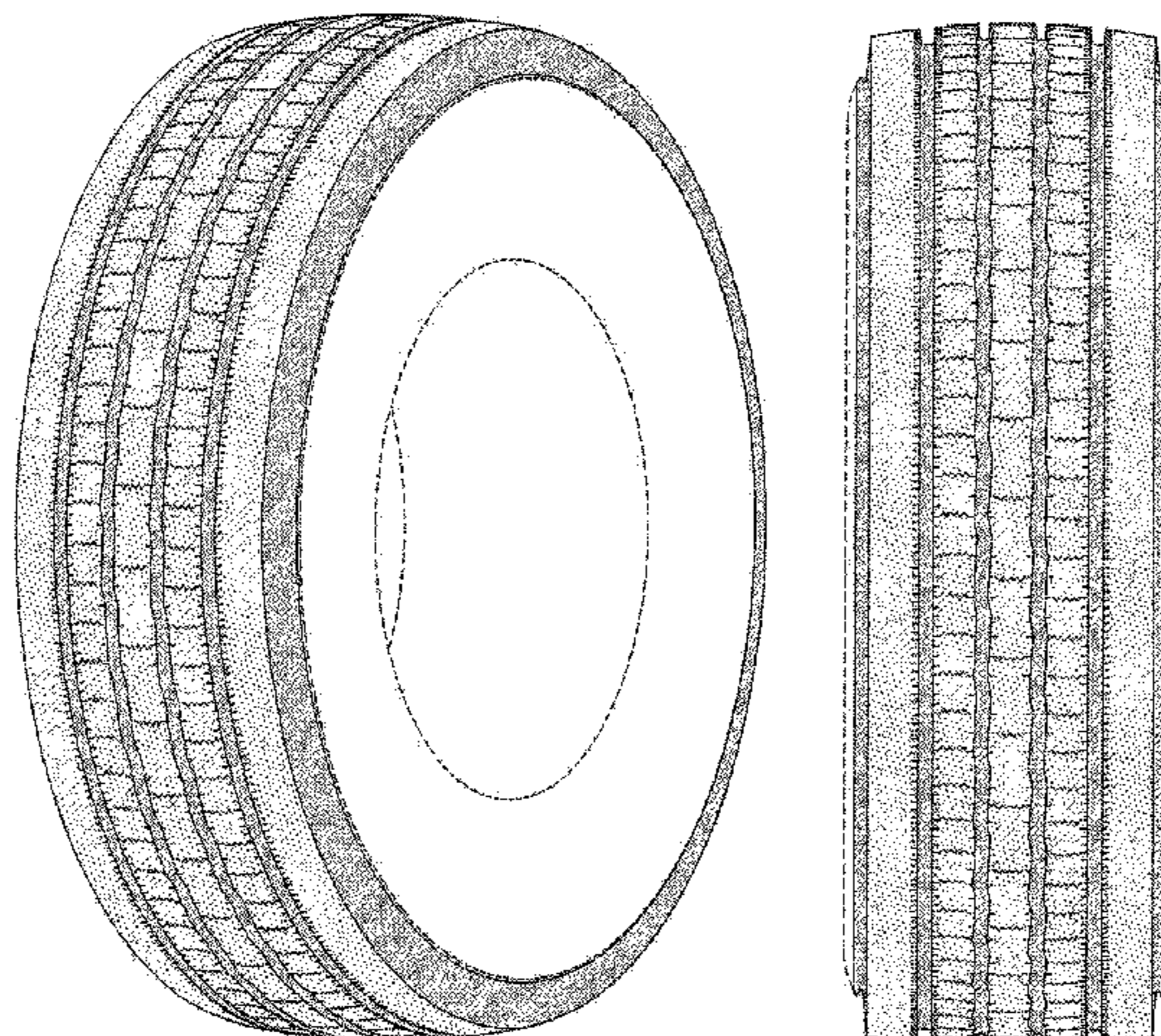
FIG. 5 is a perspective view of an alternative embodiment of a tire showing our new design, it being understood that the pattern repeats uniformly throughout the circumference of the tread and that the opposite side perspective view is a mirror image thereof; and,

FIG. 6 is a front elevational view of an alternate embodiment, it being understood that an enlarged fragmentary view thereof would be substantially identical to that shown in FIG. 4, with the exception of the inclusion of the sidewall in solid lines.

In FIGS. 1-4, the broken lines defining the sidewall, inner bead and the peripheral boundary between the claimed tire tread and the sidewall depict environmental subject matter that forms no part of the claimed design.

The dark stippled surface shading represents the recessed portion of the tread grooves having a depth as best shown in FIG. 2.

1 Claim, 6 Drawing Sheets



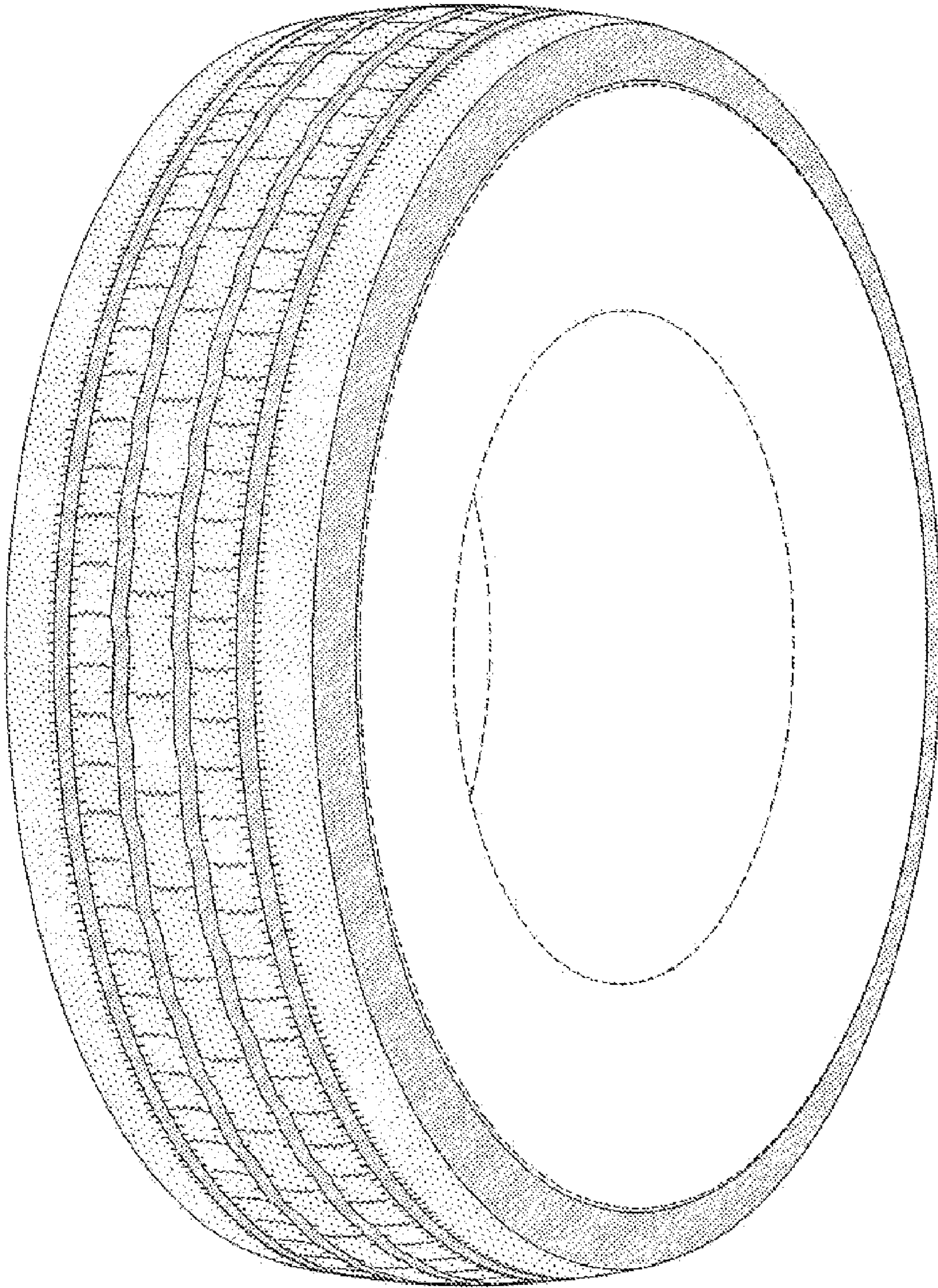


FIG-1

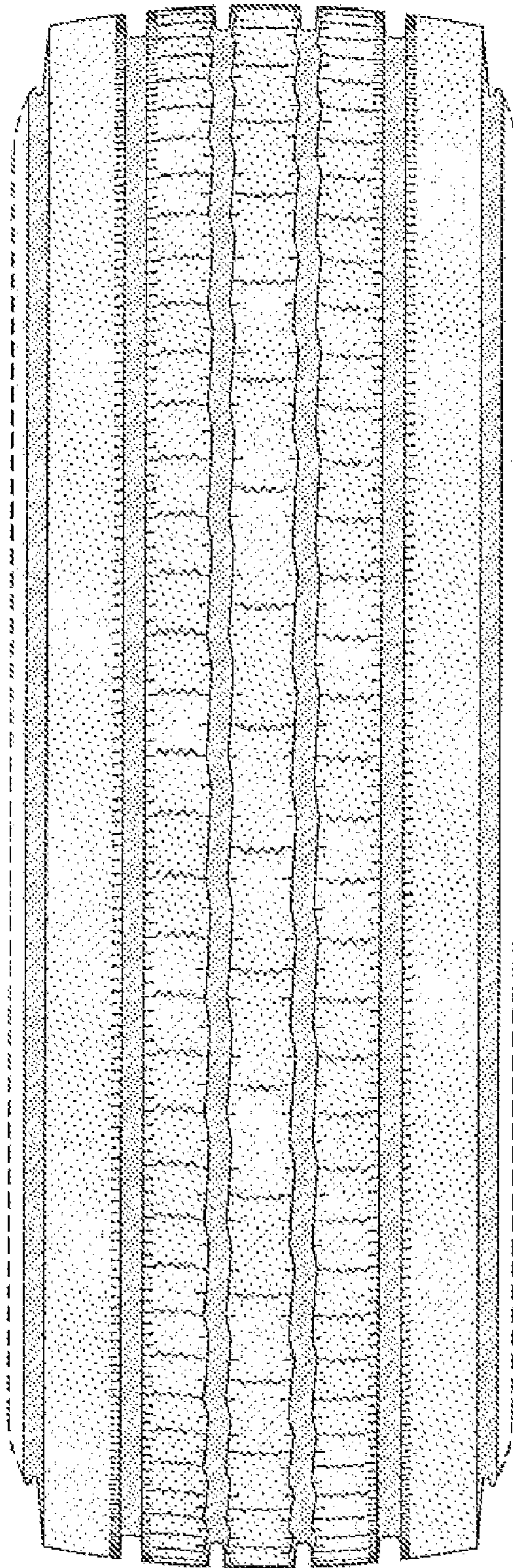


FIG-2

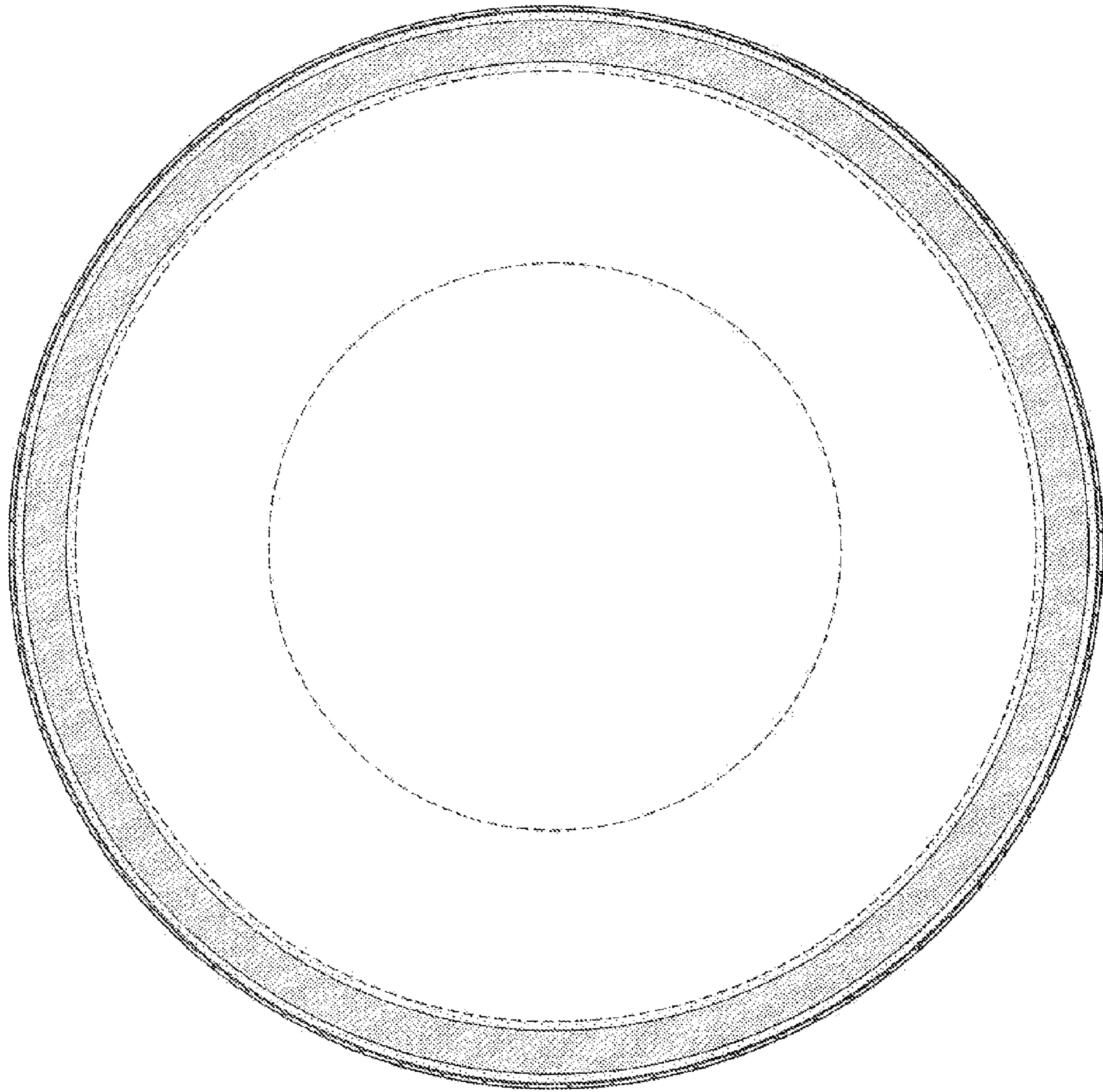


FIG-3

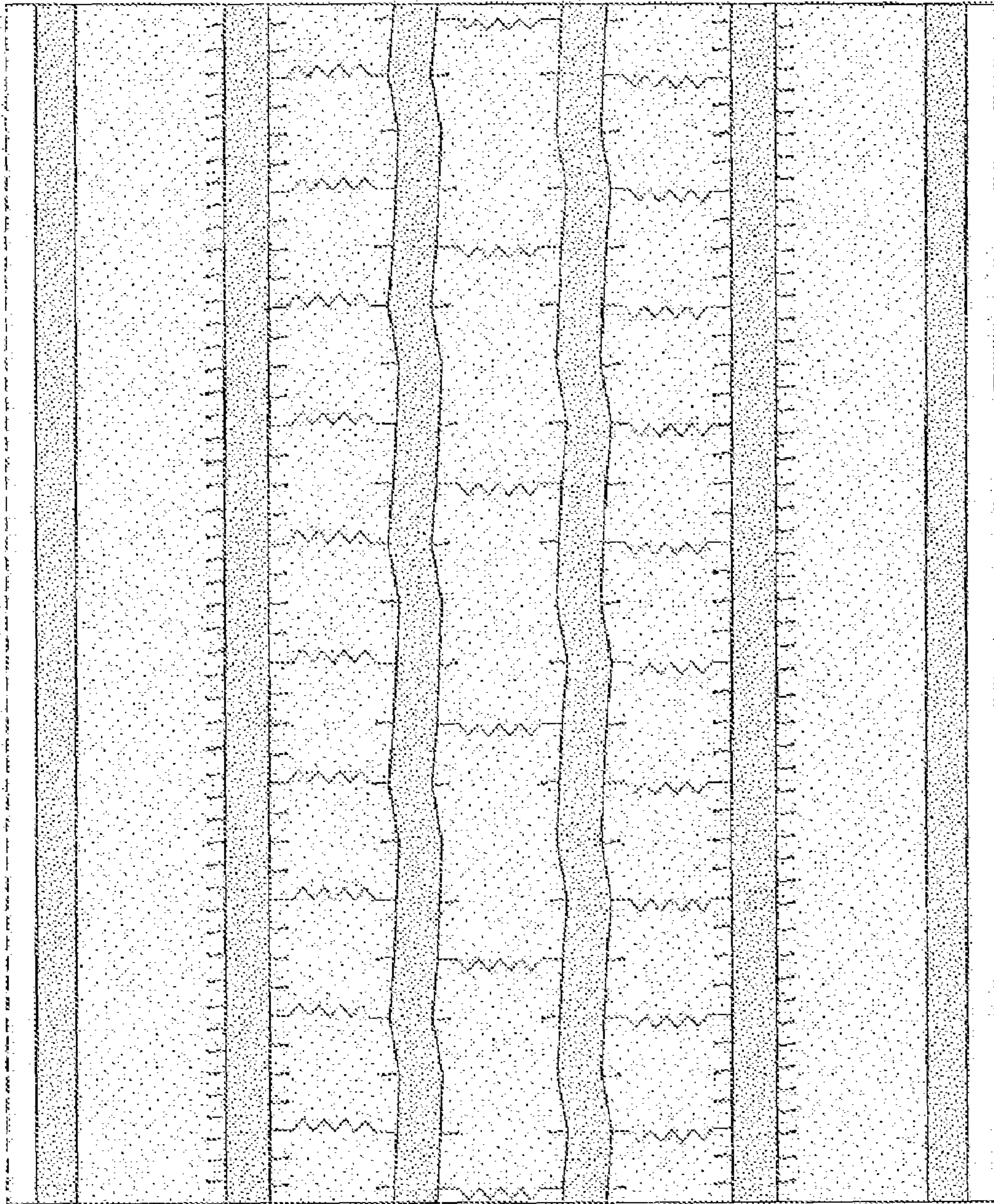


FIG-4

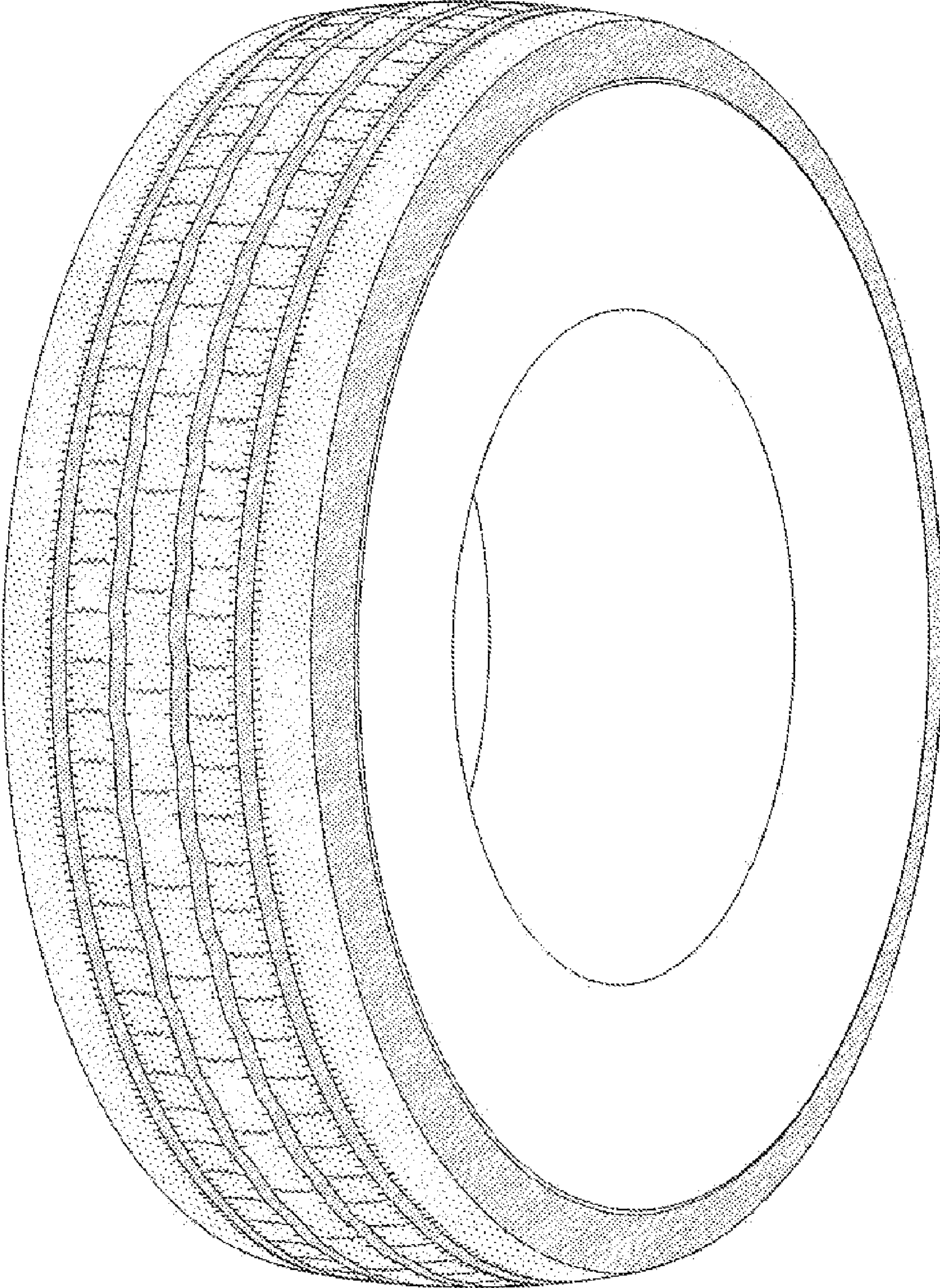


FIG-5

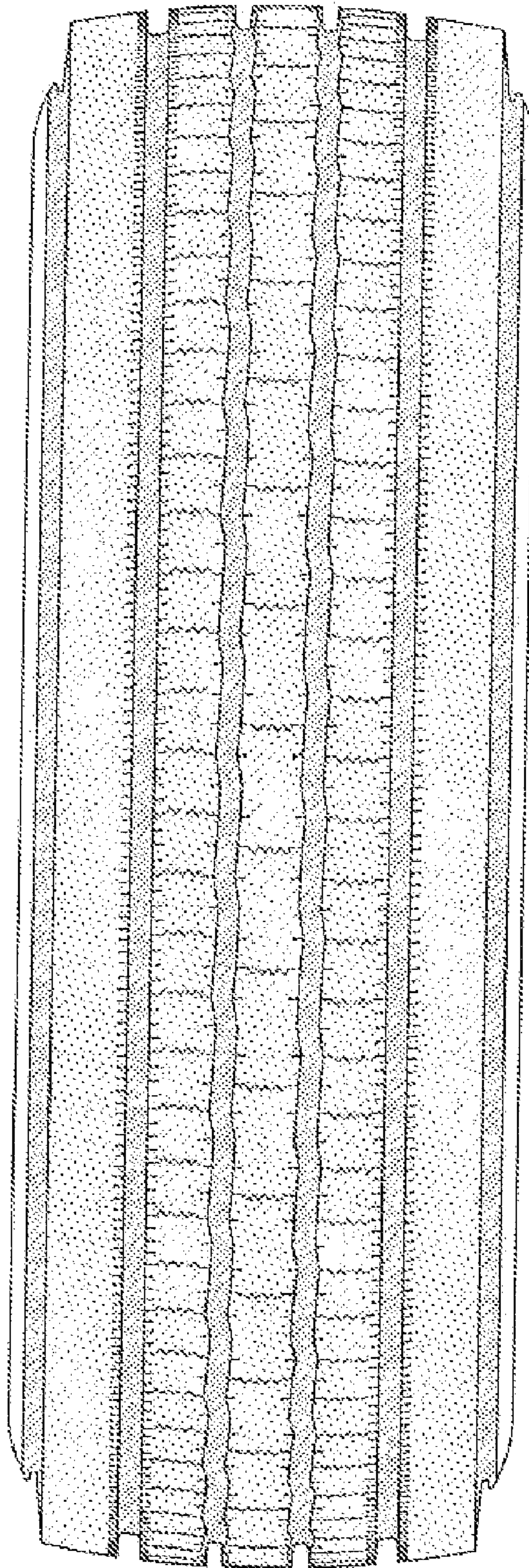


FIG-6