



US00D605104S

(12) **United States Design Patent**  
**Englehart, Jr.**

(10) **Patent No.:** **US D605,104 S**  
(45) **Date of Patent:** **\*\* Dec. 1, 2009**

(54) **MOTORCYCLE DASH PANEL ORGANIZER**

(76) Inventor: **William J. Englehart, Jr.**, 10201 S. Airport Rd., Atlanta, MI (US) 49709

(\*\*) Term: **14 Years**

(21) Appl. No.: **29/335,422**

(22) Filed: **Apr. 15, 2009**

(51) **LOC (9) Cl.** ..... **12-16**

(52) **U.S. Cl.** ..... **D12/407**

(58) **Field of Classification Search** ..... D12/110, D12/406, 407, 411, 415, 419, 425, 426, 426.1, D12/416, 417; 280/288.4; 224/42.11, 412-435, 224/482, 483, 484, 276, 926, 930; 180/219; 296/37.1; 248/309.1, 311.2; 206/557-565; D7/619.1, 620, 708, 550.1, 553.1, 553.7, D7/554.4, 555, 601, 602, 701, 702, 704; D6/510, 511; 108/44, 45

See application file for complete search history.

(56) **References Cited**

U.S. PATENT DOCUMENTS

4,800,664	A	1/1989	Marstall	
5,503,297	A	4/1996	Frankel	
5,881,936	A	3/1999	Li	
D435,196	S *	12/2000	Gregor et al.	..... D7/552.1
D474,733	S *	5/2003	Webb	..... D12/419
2004/0124652	A1	7/2004	Garrison	

\* cited by examiner

*Primary Examiner*—Cathron C Brooks

*Assistant Examiner*—Linda G. Brooks

(74) *Attorney, Agent, or Firm*—Northern Michigan Patent Law, PLC

(57) **CLAIM**

I claim the ornamental design for a motorcycle dash panel organizer, as shown and described.

**DESCRIPTION**

FIG. 1 is a perspective view of a motorcycle dash panel organizer embodying the new design, taken from the rear side

of the motorcycle dash panel organizer, “rear” being used to refer to the side facing the rider of a motorcycle when the motorcycle dash panel organizer is installed.

FIG. 2 is a front perspective view of the motorcycle dash panel organizer of FIG. 1.

FIG. 3 is a top plan view of the motorcycle dash panel organizer of FIG. 1.

FIG. 4 is a front elevation view of the motorcycle dash panel organizer of FIG. 1.

FIG. 5 is a bottom plan view of the motorcycle dash panel organizer of FIG. 1.

FIG. 6 is a rear elevation view of the motorcycle dash panel organizer of FIG. 1.

FIG. 7 is a right side elevation view of the motorcycle dash panel organizer of FIG. 1, the left side elevation view being a mirror image thereof.

FIG. 8 is a rear perspective view of another embodiment of a motorcycle dash panel organizer embodying the new design, identical to FIG. 1 but with an alternate top surface finish.

FIG. 9 is a front perspective view of the motorcycle dash panel organizer of FIG. 8.

FIG. 10 is a top plan view of the motorcycle dash panel organizer of FIG. 8.

FIG. 11 is a front elevation view of the motorcycle dash panel organizer of FIG. 8.

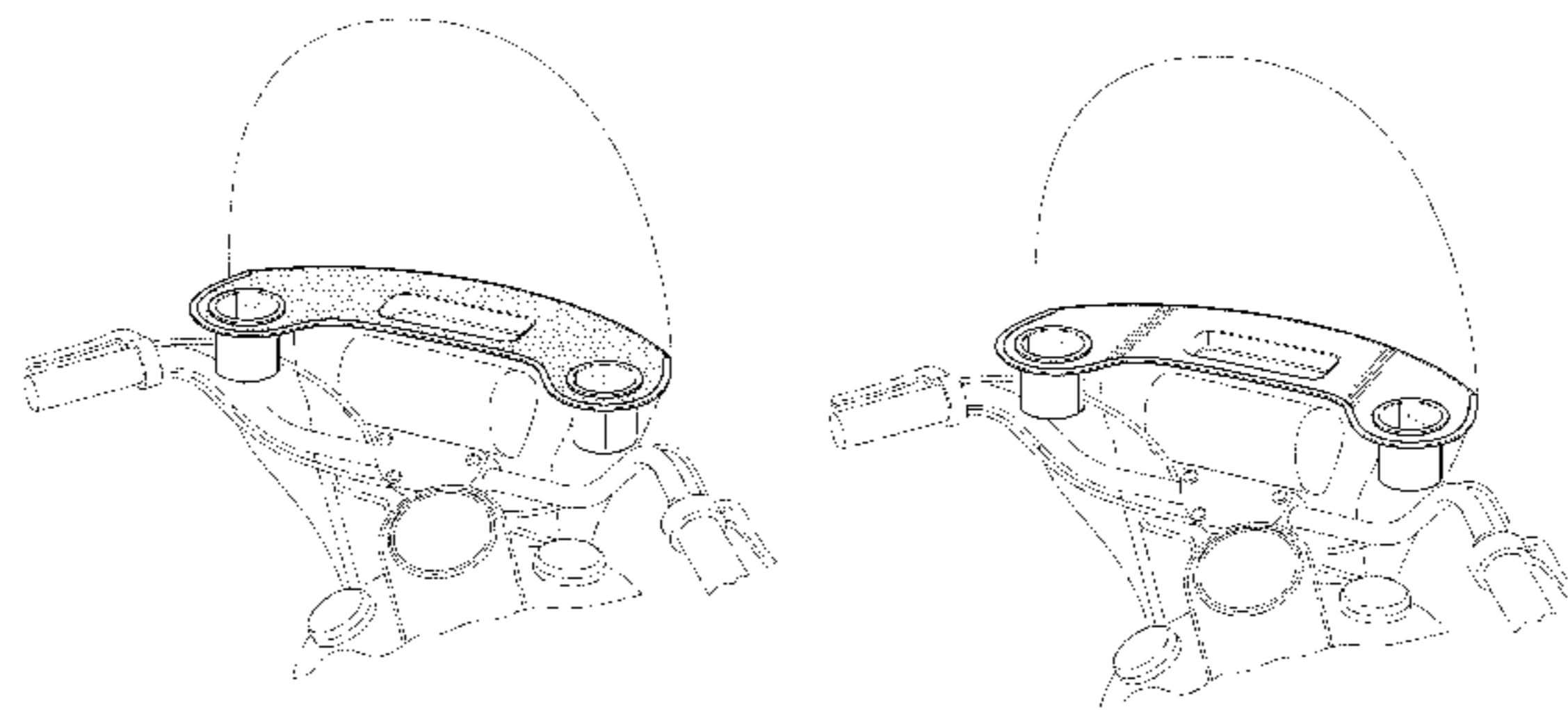
FIG. 12 is a bottom plan view of the motorcycle dash panel organizer of FIG. 8.

FIG. 13 is a rear elevation view of the motorcycle dash panel organizer of FIG. 8; and,

FIG. 14 is a right side elevation view of the motorcycle dash panel organizer of FIG. 8, the left side elevation view being a mirror image thereof.

The structure illustrated in broken lines is environmental in nature and forms no part of the claimed design.

**1 Claim, 8 Drawing Sheets**



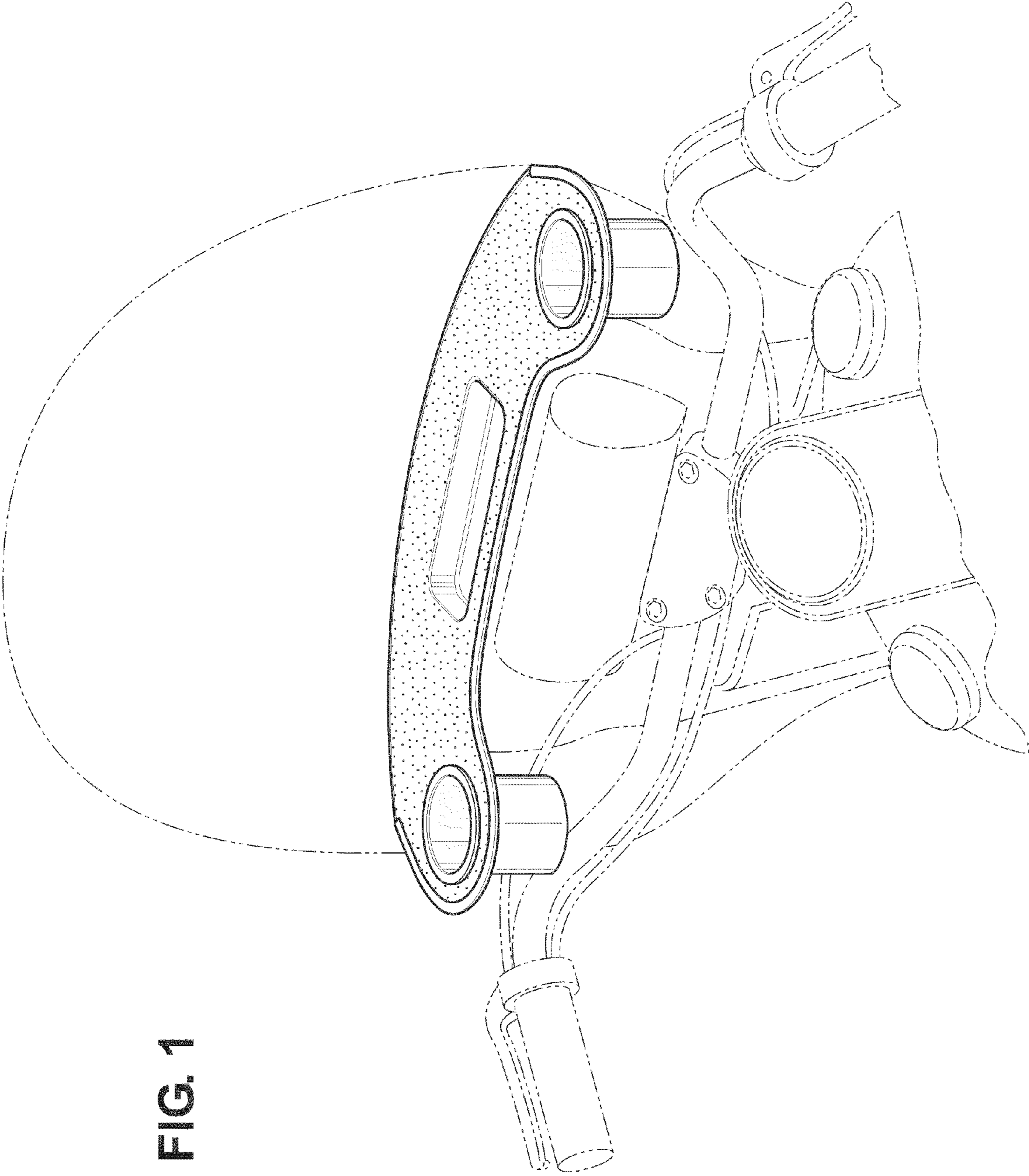


FIG. 1

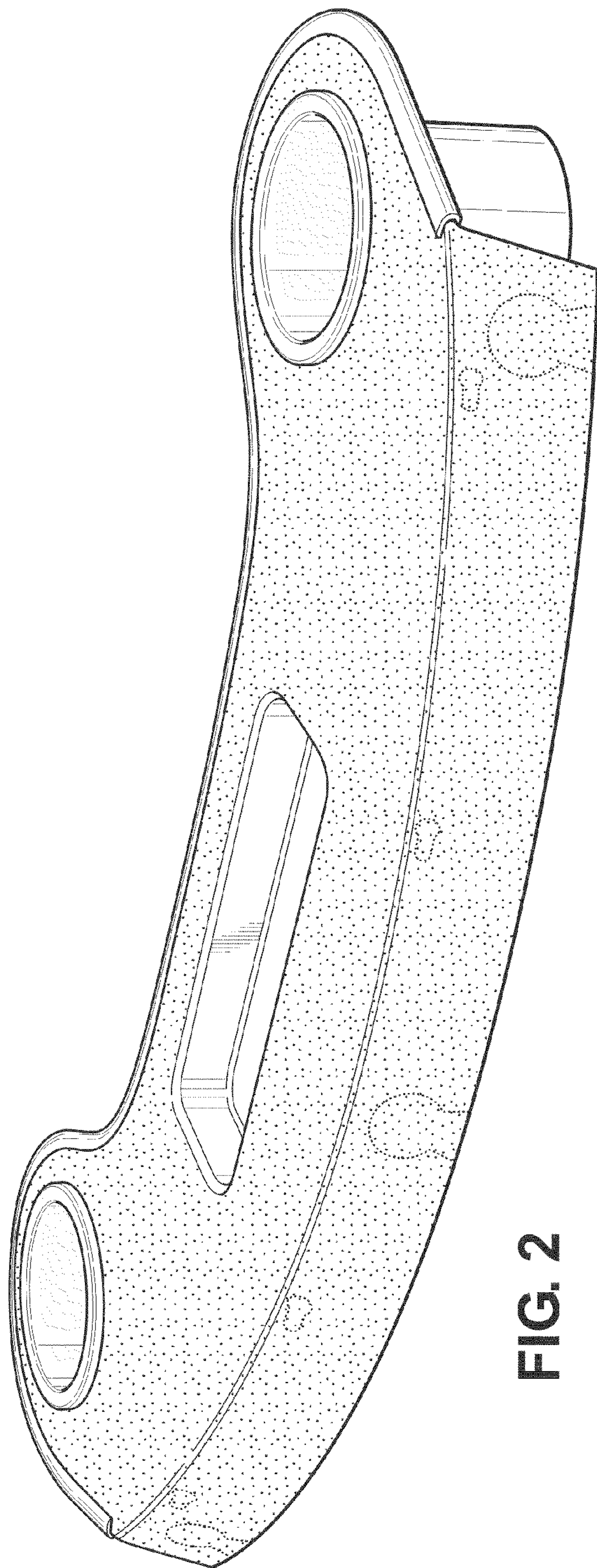


FIG. 2

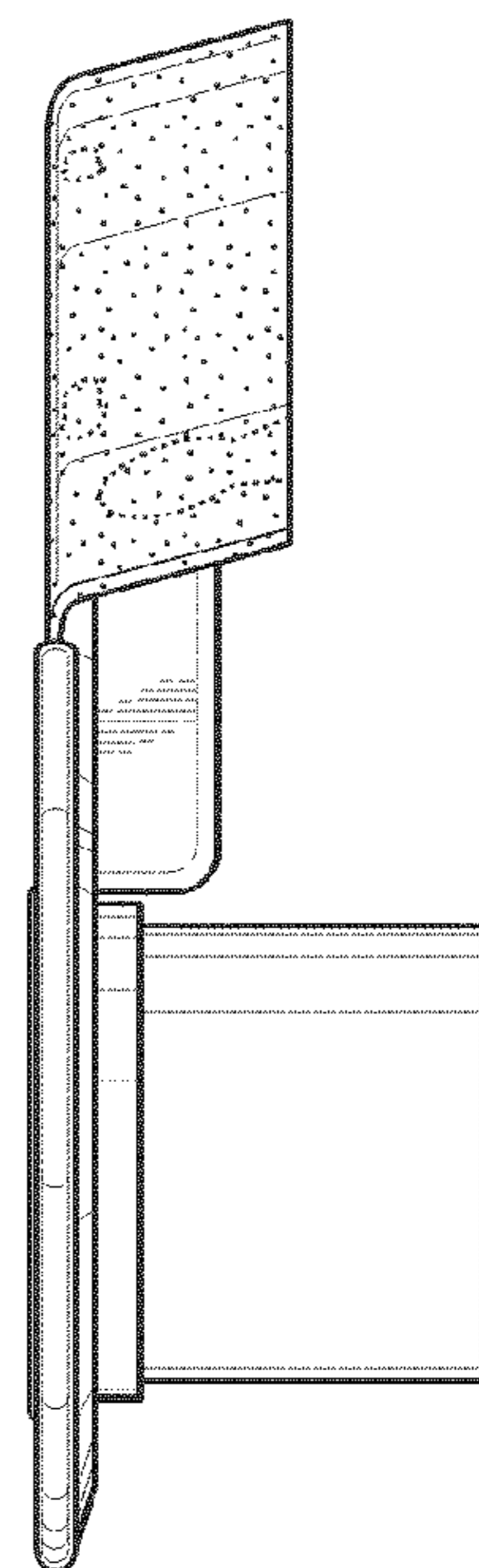


FIG. 7

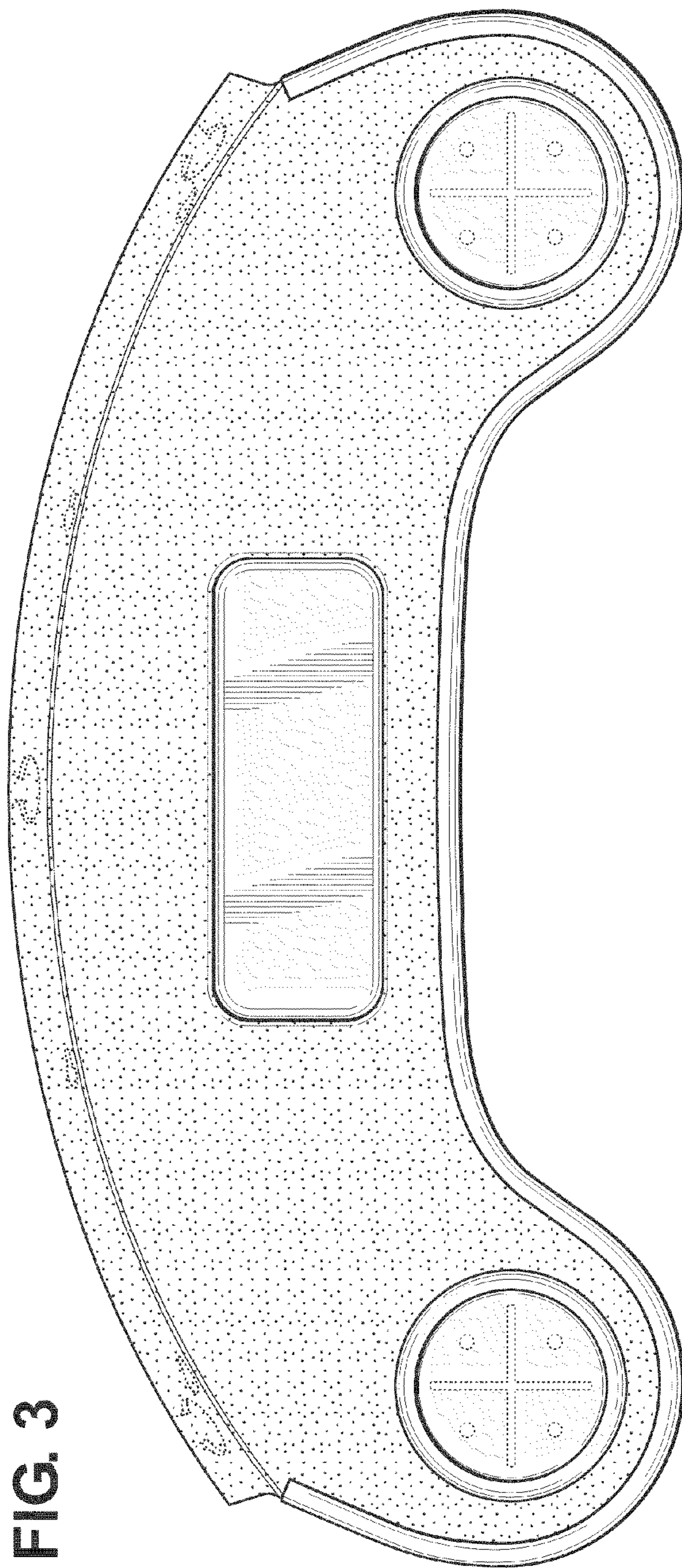
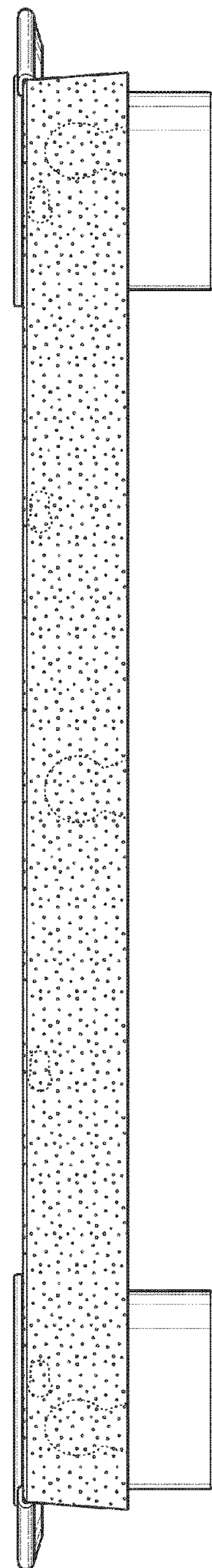


FIG. 3

FIG. 4



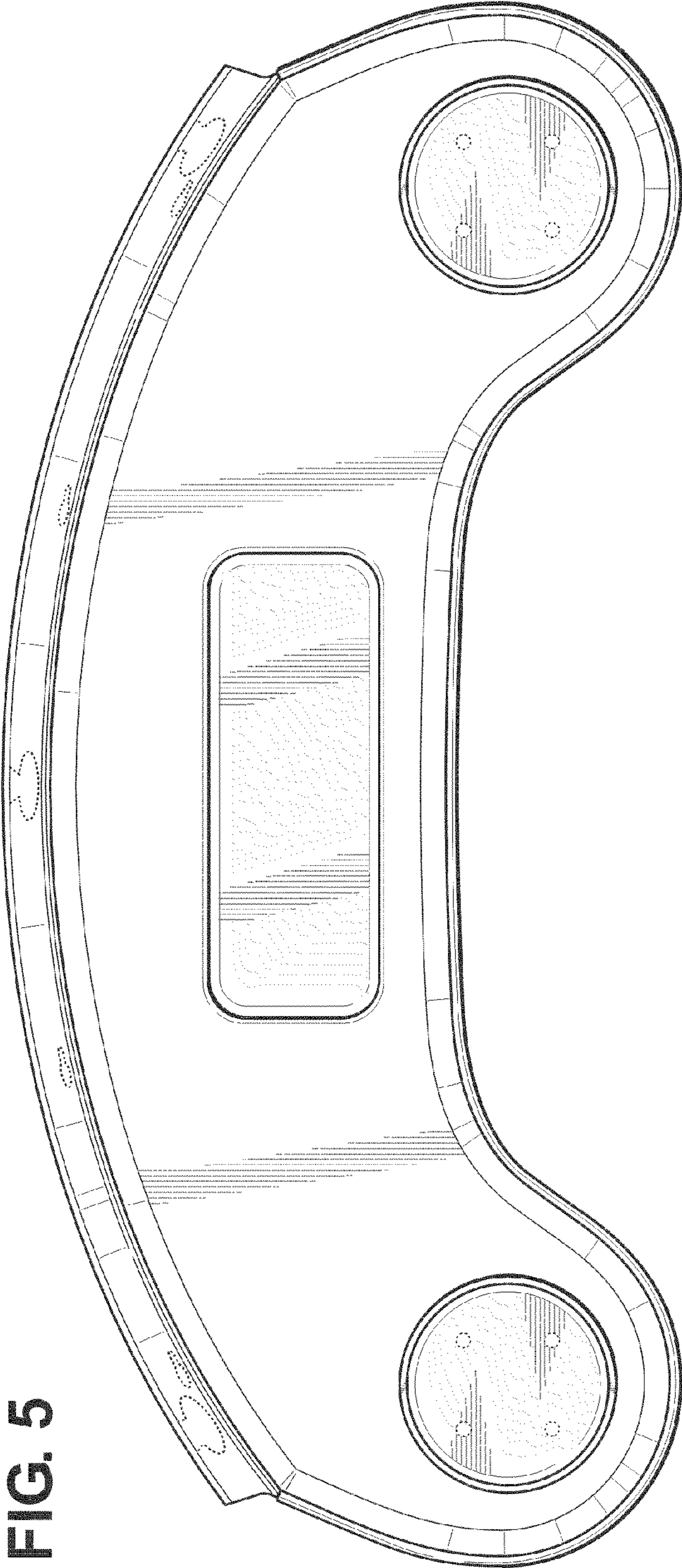
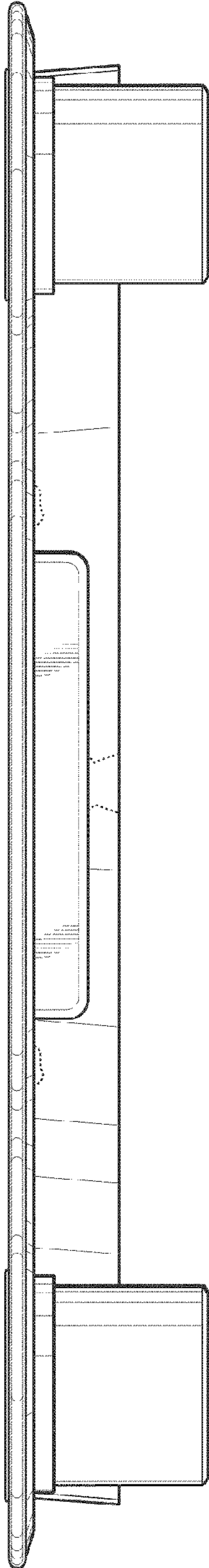


FIG. 5

FIG. 6



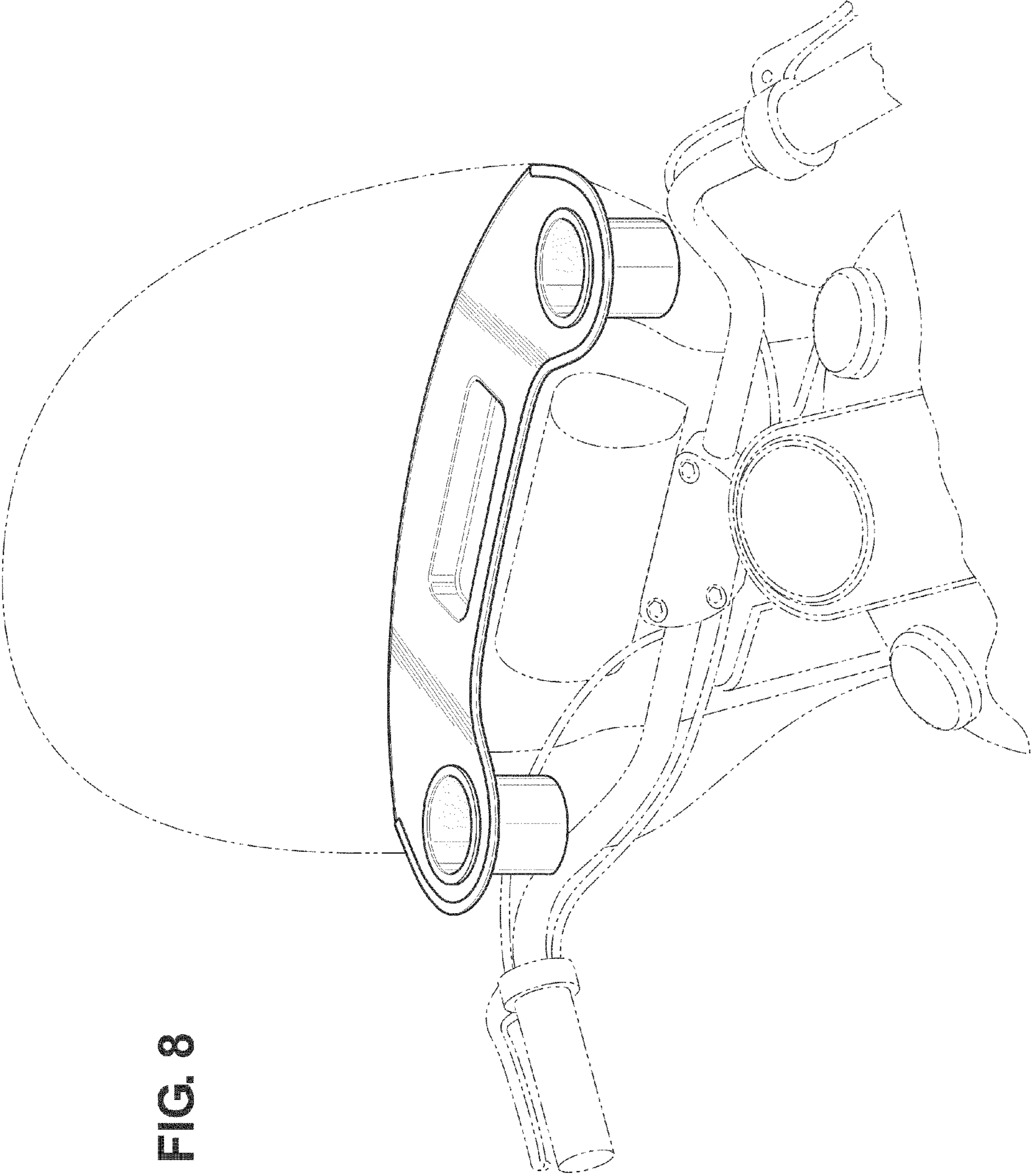


FIG. 8

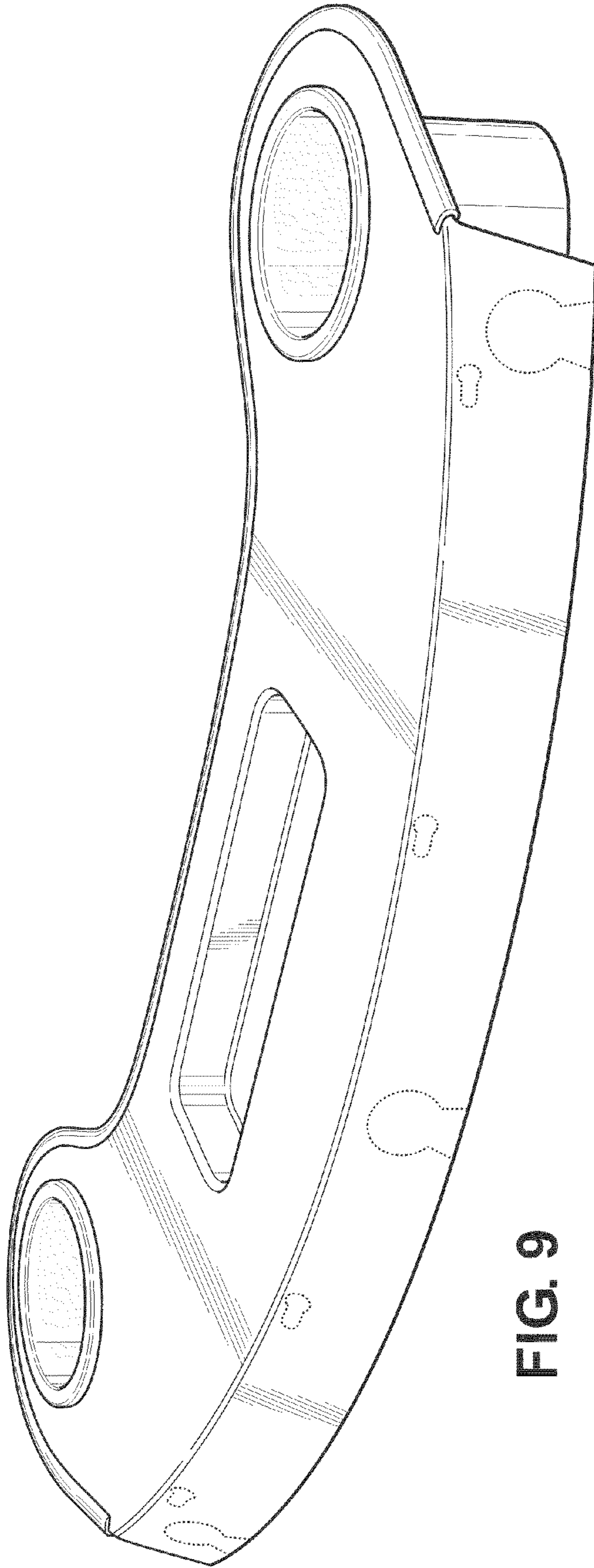


FIG. 9

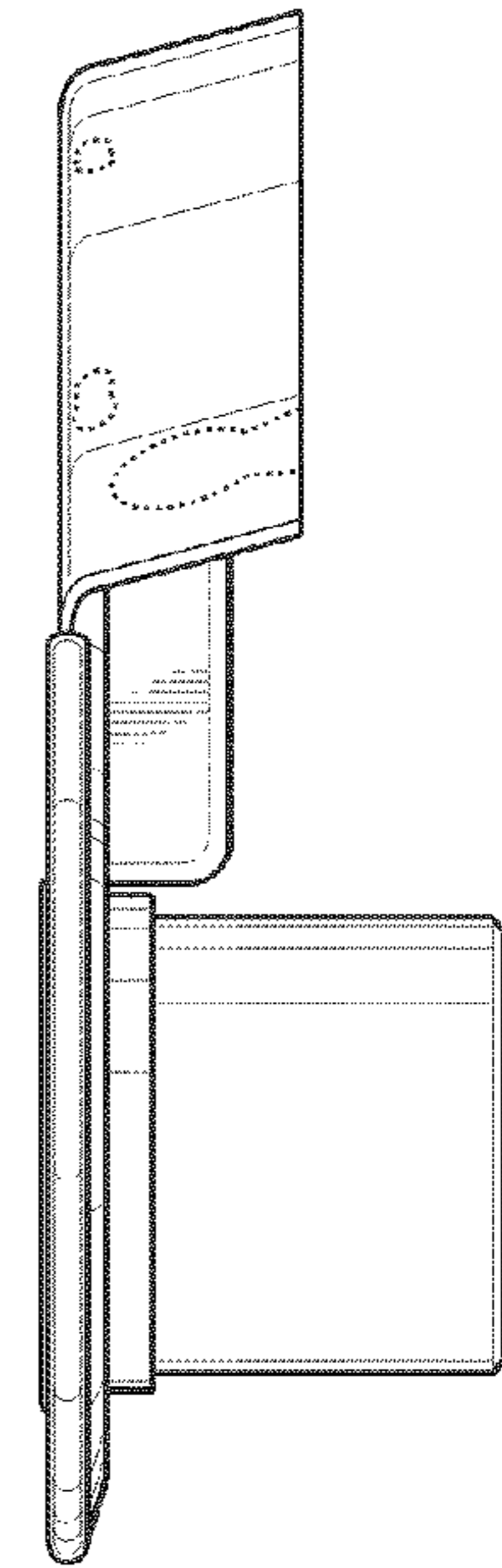


FIG. 14

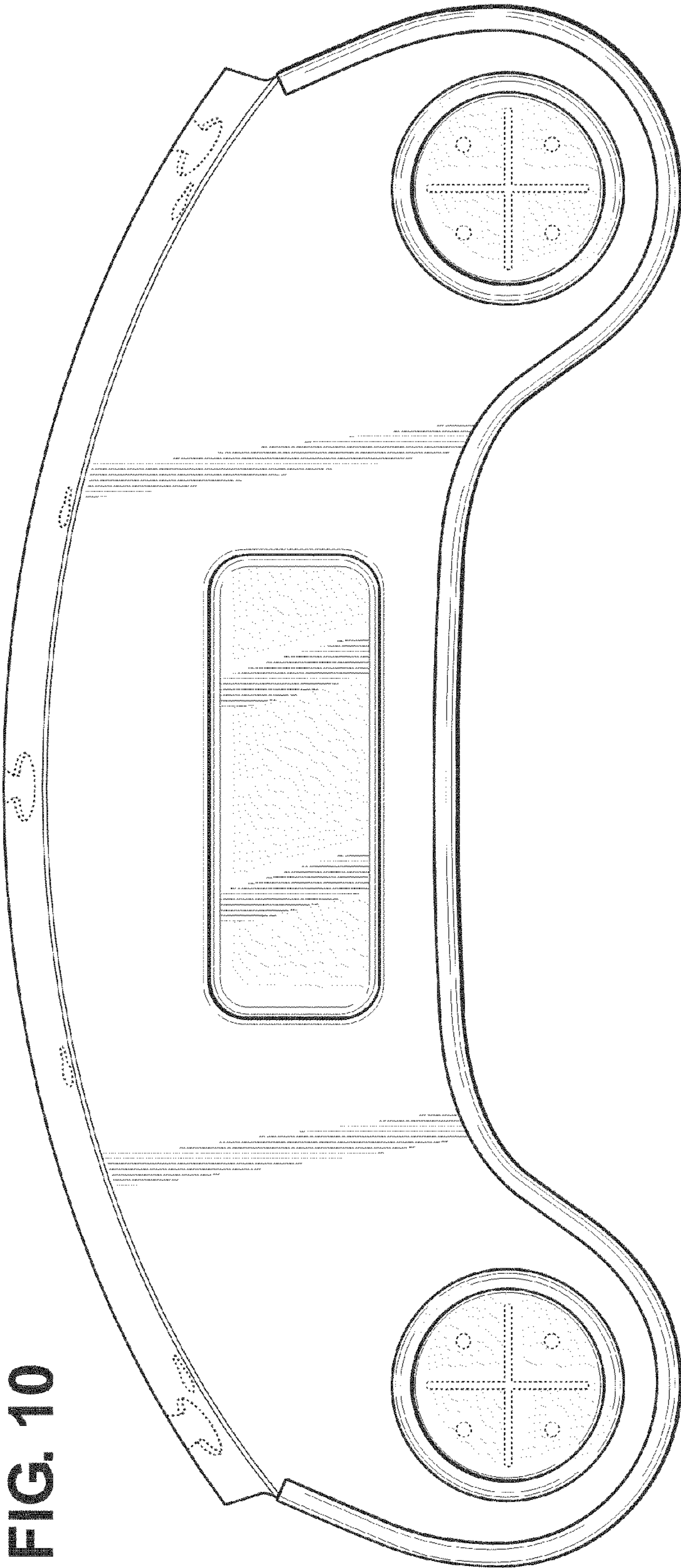
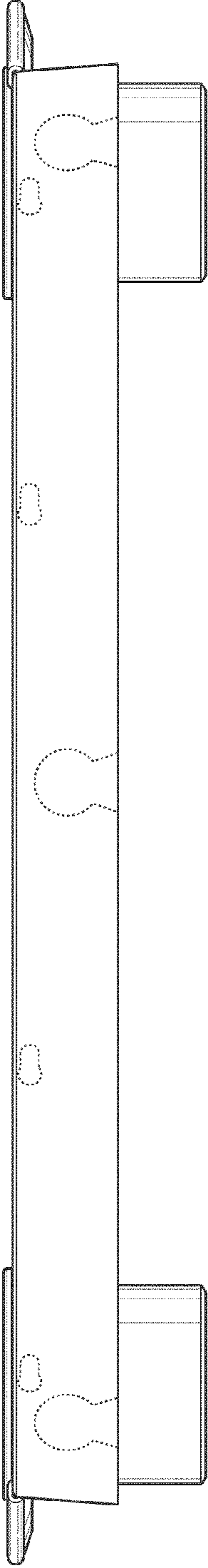


FIG. 10

FIG. 11





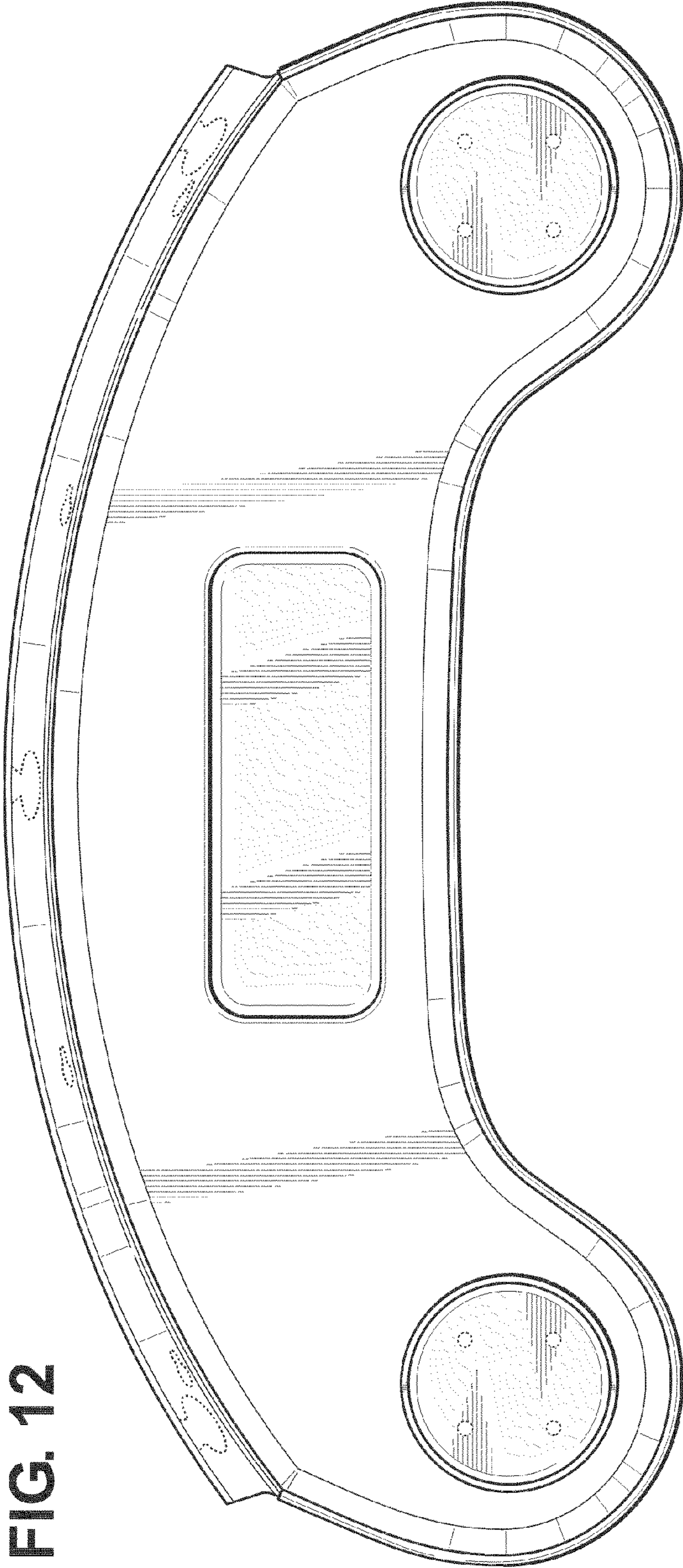


FIG. 12

FIG. 13

