



US00D605100S

(12) **United States Design Patent**
Douglas

(10) **Patent No.:** **US D605,100 S**
(45) **Date of Patent:** **** Dec. 1, 2009**

(54) **HITCH PLUG PLATE**

(76) Inventor: **Alfred D. Douglas**, 32726 White Oaks Trail, Beverly Hills, MI (US) 48025

(**) Term: **14 Years**

(21) Appl. No.: **29/291,688**

(22) Filed: **Sep. 10, 2007**

Related U.S. Application Data

(63) Continuation-in-part of application No. 29/267,612, filed on Oct. 18, 2006, now Pat. No. Des. 563,301, which is a continuation-in-part of application No. 29/265,392, filed on Aug. 30, 2006, now Pat. No. Des. 553,548.

(51) **LOC (9) Cl.** **12-16**

(52) **U.S. Cl.** **D12/194**

(58) **Field of Classification Search** D12/159, D12/160, 161, 162, 400; 280/406.2, 407, 280/407.1, 408, 411.1, 416.1, 416.2, 416.3, 280/418, 418.1, 433, 434, 435, 441.1, 441.2, 280/455.1, 456.1, 480, 493, 504, 508, 511; 224/400, 401, 412, 413, 42.11, 42.12, 42.14, 224/42.26, 488, 494, 537; 37/399; 172/47; 56/DIG. 14

See application file for complete search history.

(56) **References Cited**

U.S. PATENT DOCUMENTS

D404,349 S 1/1999 Julian
D444,433 S * 7/2001 McBroom et al. D12/162

D485,218 S 1/2004 Bentley
D496,888 S * 10/2004 Johnson, Jr. D12/162
D503,663 S 4/2005 Kolflat
D506,711 S 6/2005 Ruiz et al.
D526,603 S 8/2006 Gates, II
D529,418 S * 10/2006 Muhlnickel D12/162
D553,548 S * 10/2007 Douglas D12/194
D563,301 S * 3/2008 Douglas D12/194

* cited by examiner

Primary Examiner—T. Chase Nelson
Assistant Examiner—Michael A Pratt
(74) *Attorney, Agent, or Firm*—Reising Ethington, P.C.

(57) **CLAIM**

The ornamental design for a hitch plug plate, as shown and described.

DESCRIPTION

FIG. 1 is a top perspective view of a hitch plug plate showing my design;

FIG. 2 is a front plan view thereof;

FIG. 3 is a cross-sectional side elevational view thereof taken along line 3—3 shown in FIG. 2;

FIG. 4 is a side elevational view thereof; the other side being the same as the side shown; and,

FIG. 5 is a rear plan view thereof.

The broken line showing of the letters and numbers in FIG. 1 and the receiver hitch shown in FIGS. 1, 3, 4, and 5 is included for the purpose of illustrating environment and forms no part of the claimed design.

1 Claim, 2 Drawing Sheets

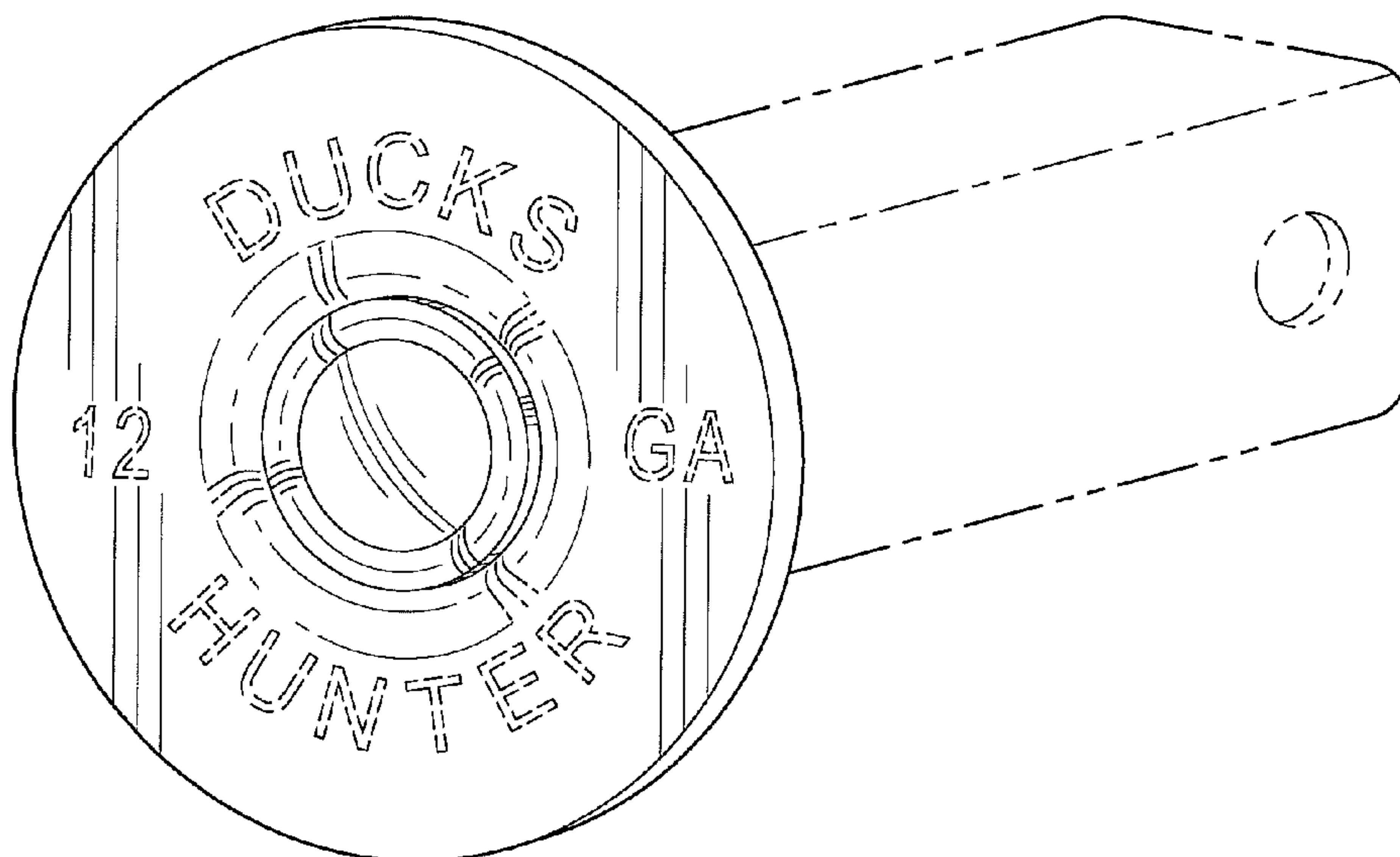


Fig-1

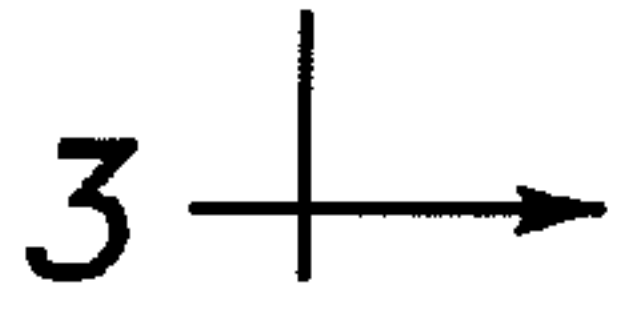
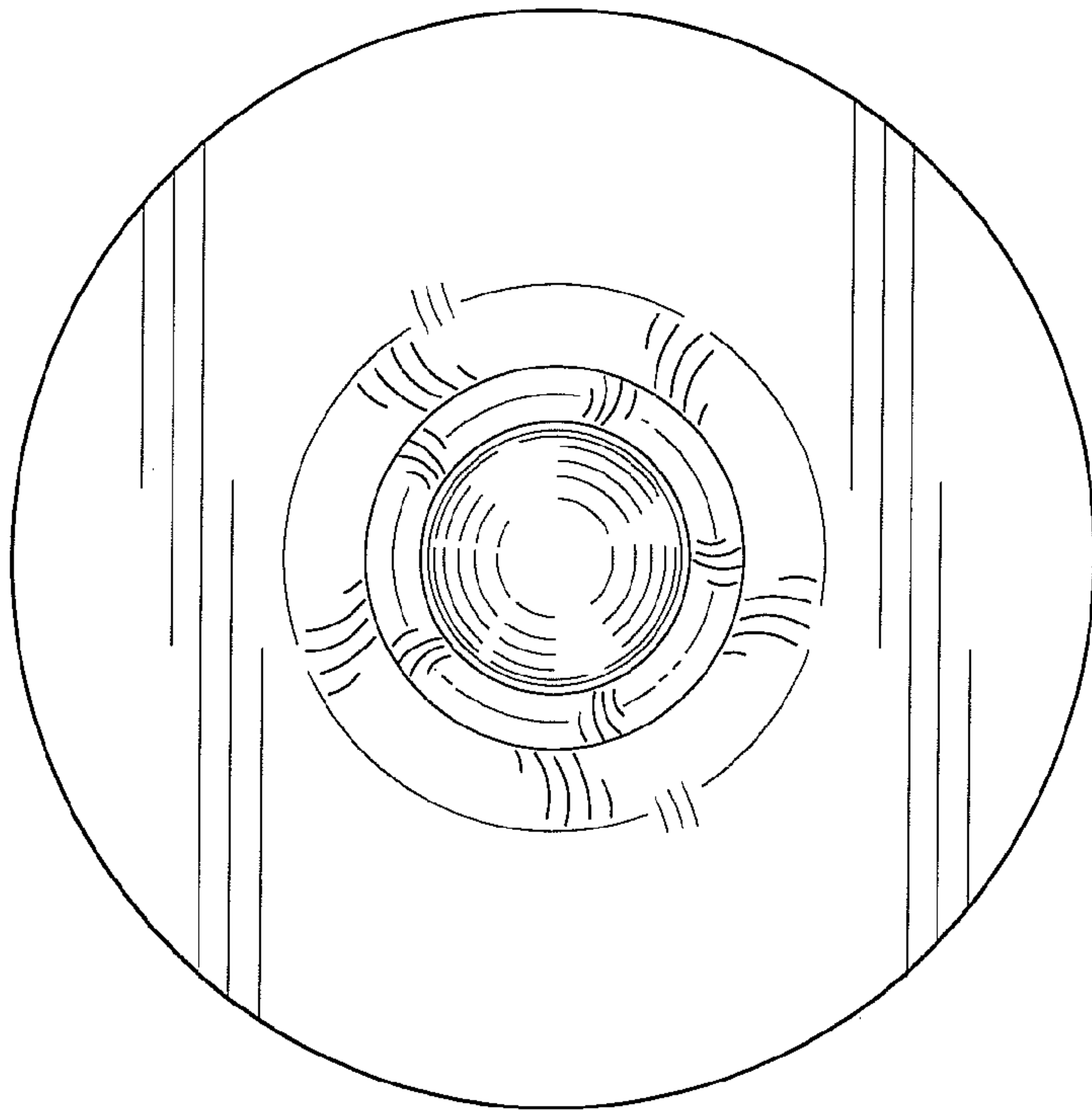
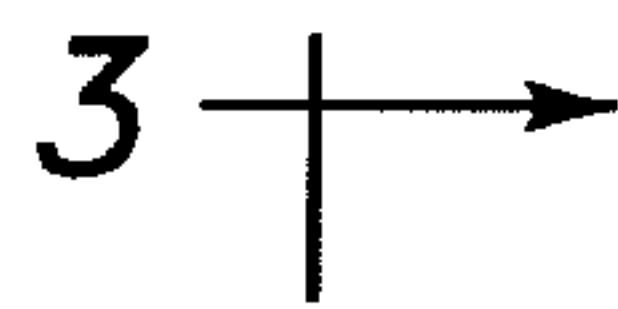
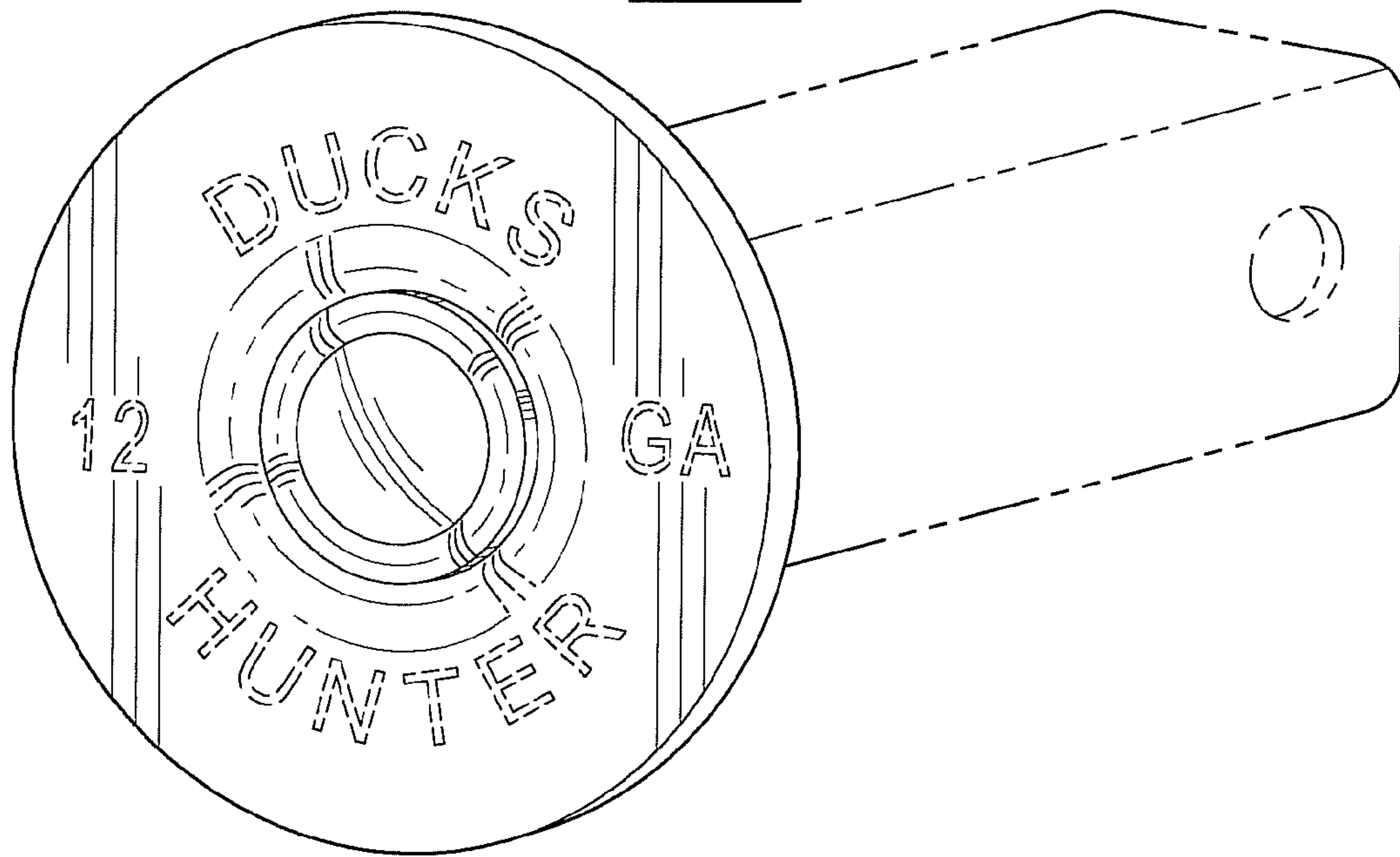


Fig-2

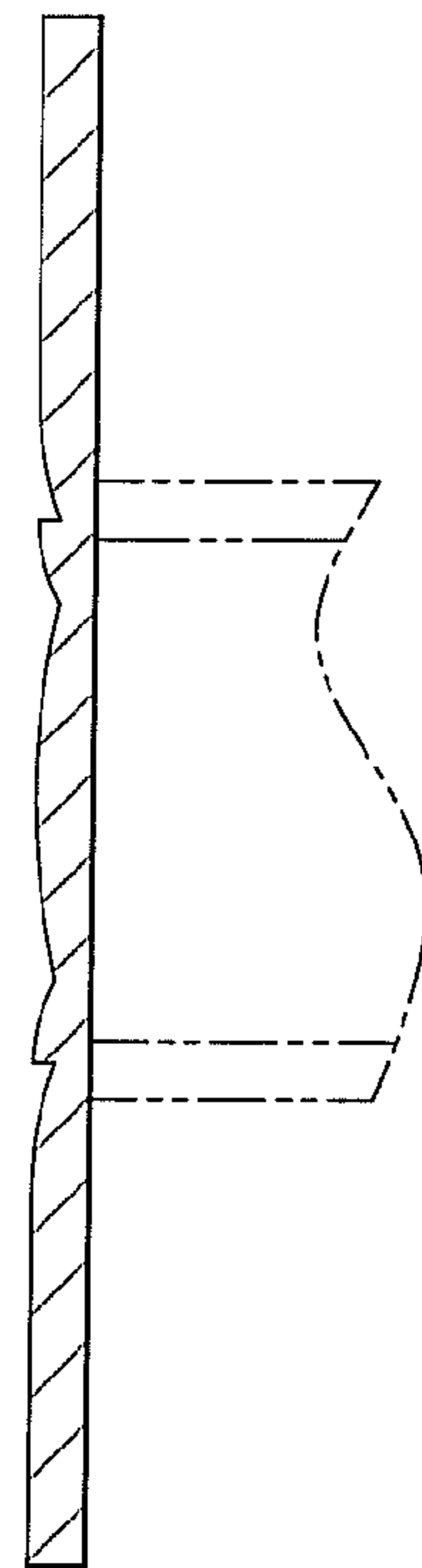


Fig-3

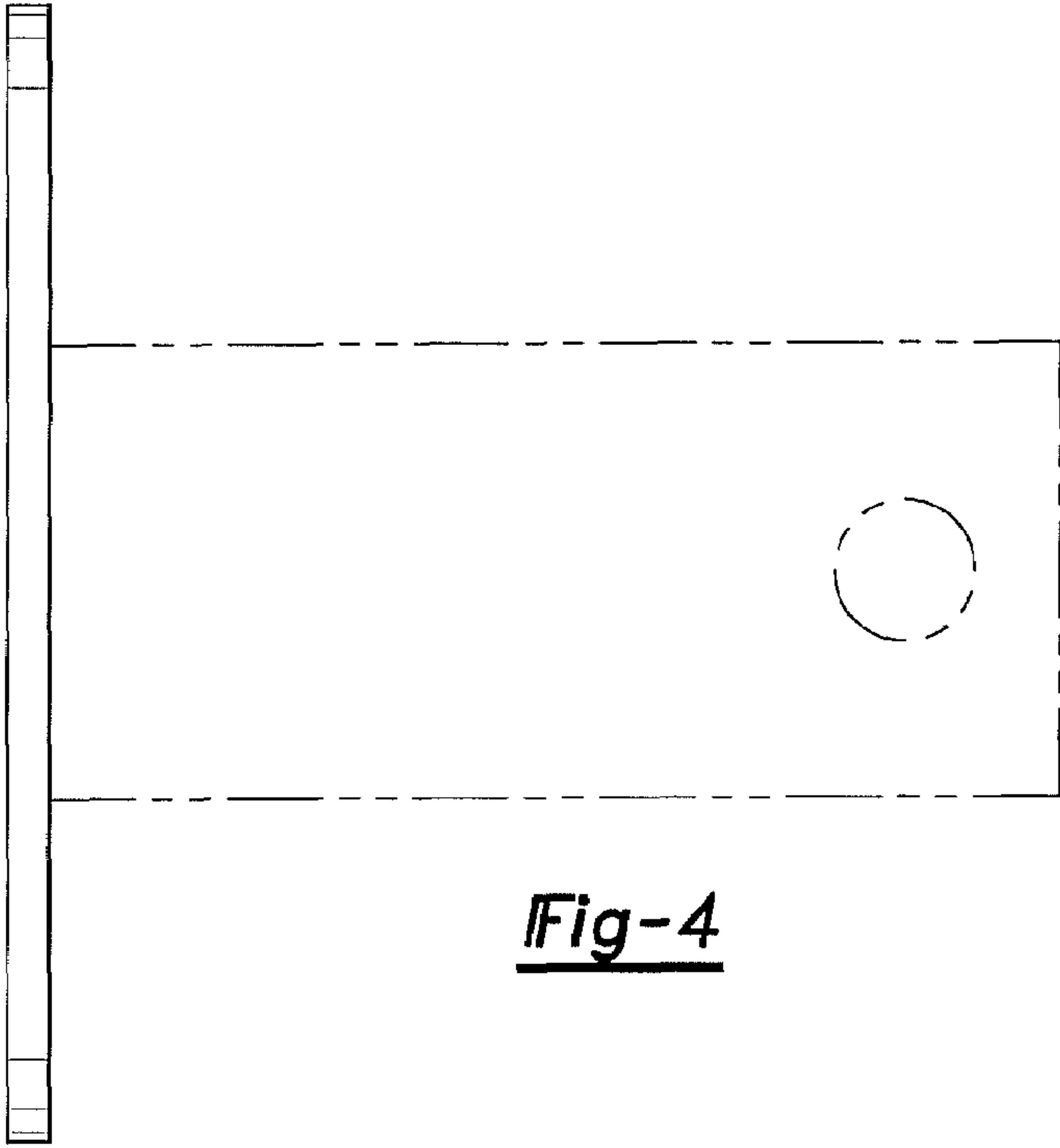


Fig-4

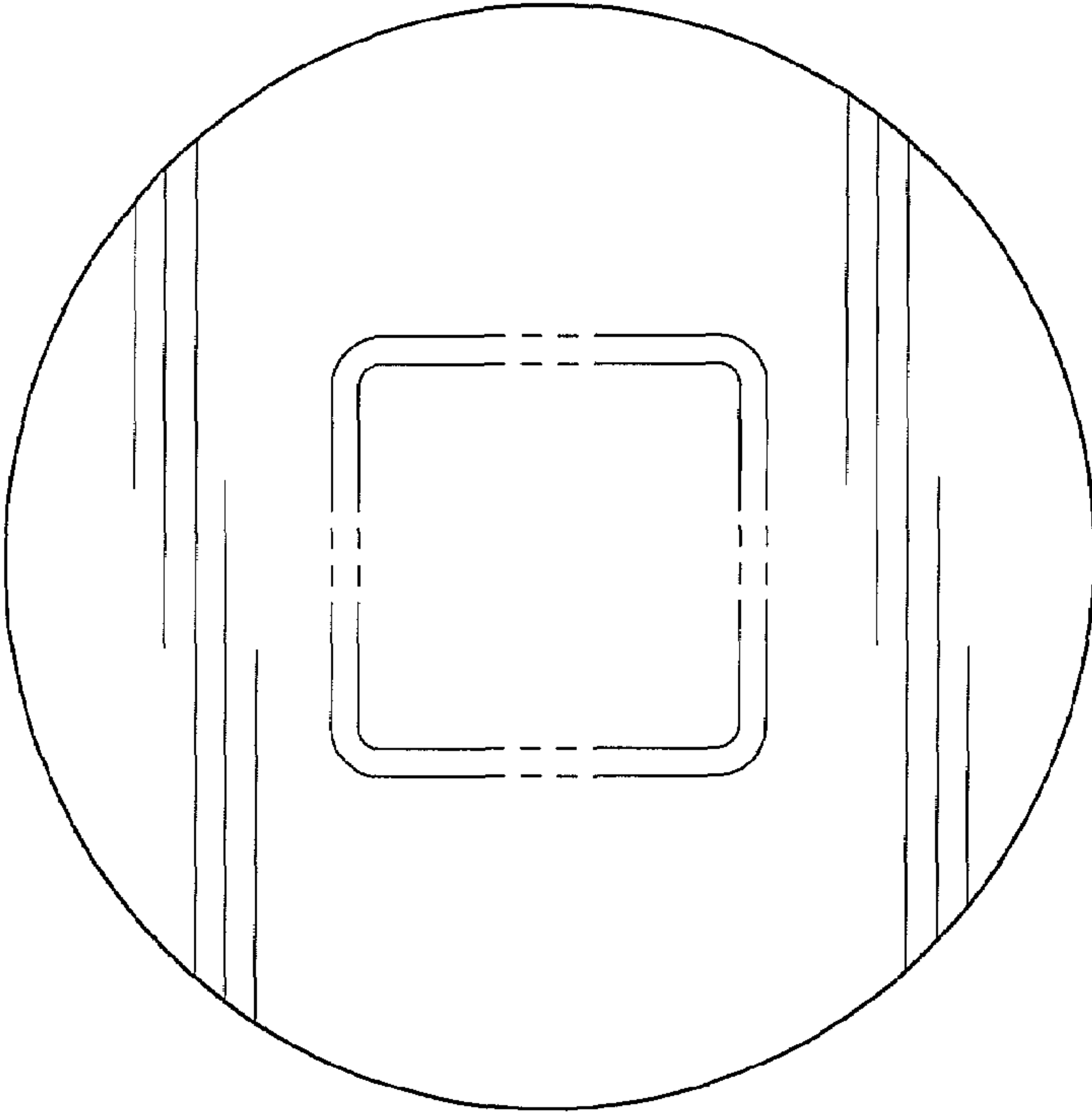


Fig-5