



US00D605095S

(12) **United States Design Patent**
Ward

(10) **Patent No.:** **US D605,095 S**

(45) **Date of Patent:** **** Dec. 1, 2009**

(54) **FRONT BUMPER FOR AUTOMOBILE**

(75) Inventor: **Malcolm Ward**, Weisbaden (DE)

(73) Assignee: **GM Global Technology Operations, Inc.**, Detroit, MI (US)

(**) Term: **14 Years**

(21) Appl. No.: **29/313,928**

(22) Filed: **Feb. 18, 2009**

(30) **Foreign Application Priority Data**

Aug. 28, 2008 (DE) 402008004093

(51) **LOC (9) Cl.** **12-16**

(52) **U.S. Cl.** **D12/169**

(58) **Field of Classification Search** D12/169,
D12/196, 171, 216, 163, 86, 90-92; 293/102,
293/113, 115, 117, 120; 296/180.1, 180.2
See application file for complete search history.

(56) **References Cited**

U.S. PATENT DOCUMENTS

D578,046 S * 10/2008 Roller D12/169

D578,450 S * 10/2008 Jodo et al. D12/169

D578,452 S * 10/2008 Tabata et al. D12/169

D584,200 S * 1/2009 Leclercq D12/169

D585,342 S * 1/2009 Kamimura D12/169

D586,705 S * 2/2009 Bauer et al. D12/169

D594,794 S * 6/2009 Nakajima D12/169

* cited by examiner

Primary Examiner—Melody N Brown

(74) *Attorney, Agent, or Firm*—Abelman, Frayne & Schwab

(57) **CLAIM**

The ornamental design for a front bumper for automobile, as shown and described.

DESCRIPTION

FIG. 1 is a front perspective view of a front bumper for automobile showing my new design;

FIG. 2 is a rear perspective view thereof;

FIG. 3 is a left-side elevation view thereof;

FIG. 4 is a front elevation view thereof;

FIG. 5 is a right-side elevation view thereof;

FIG. 6 is a rear elevation view thereof; and,

FIG. 7 is a top plan view thereof.

1 Claim, 7 Drawing Sheets

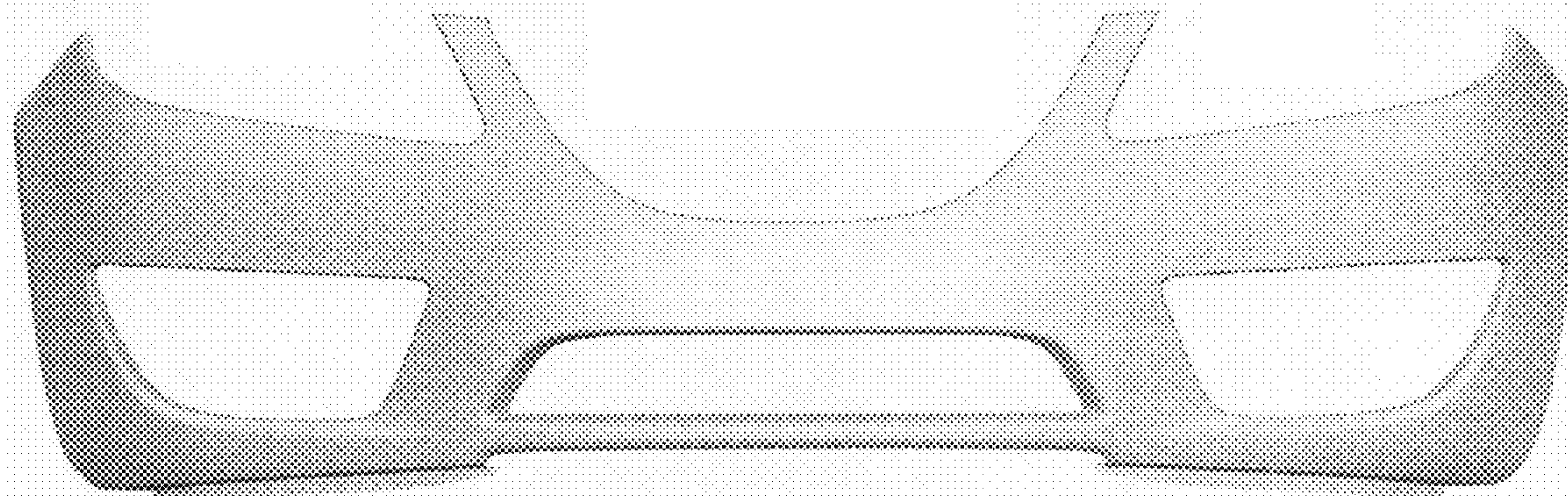


Fig. 1

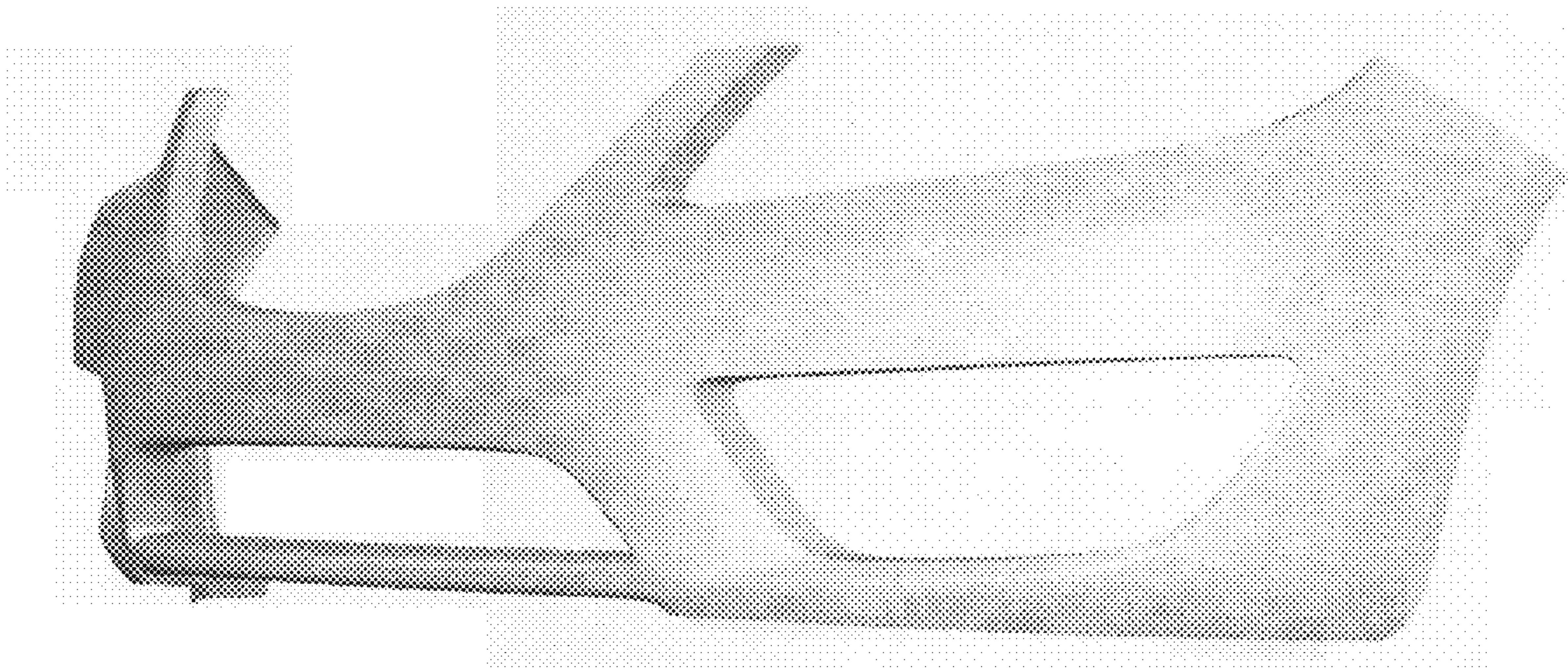
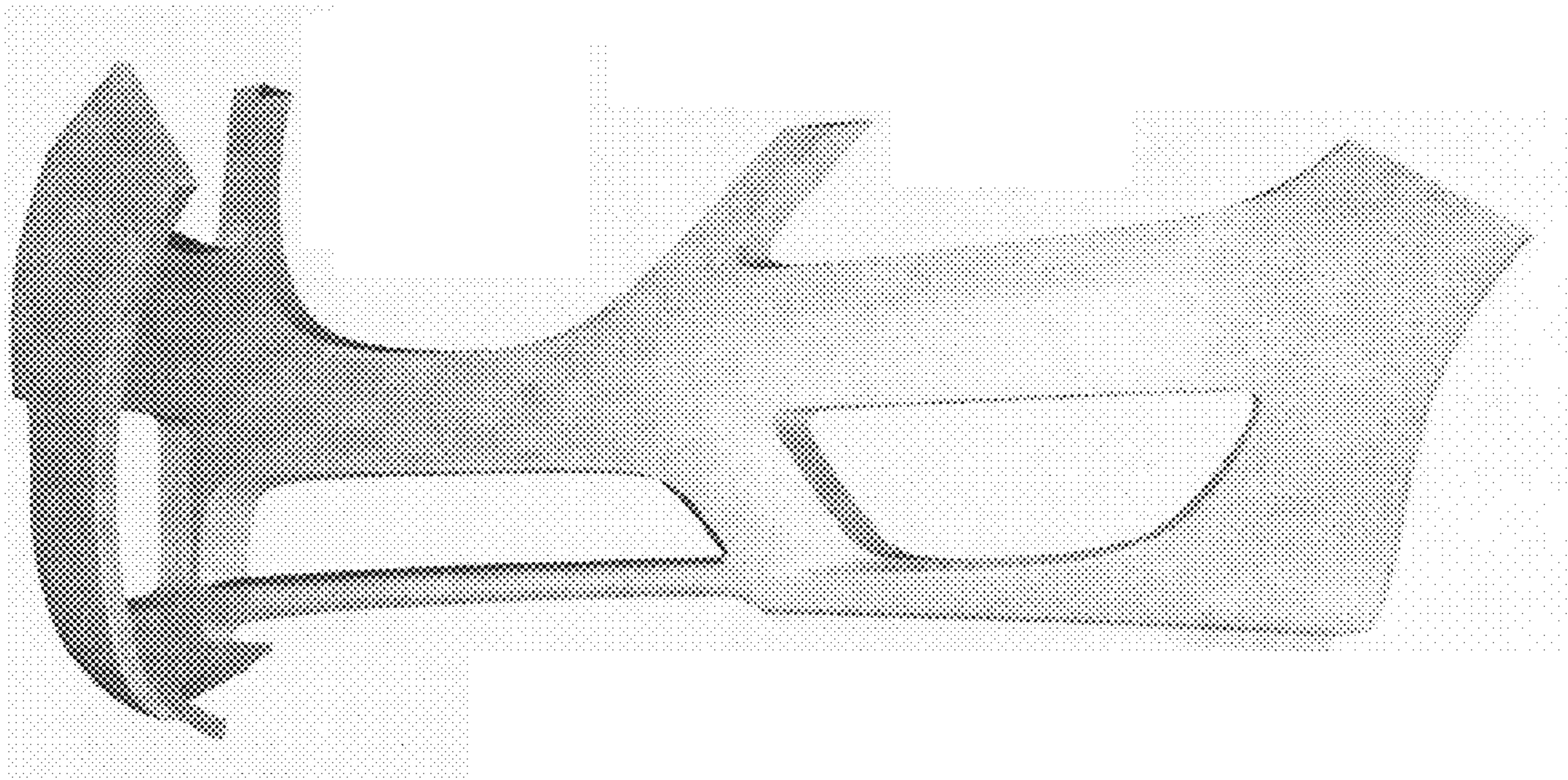


Fig. 2



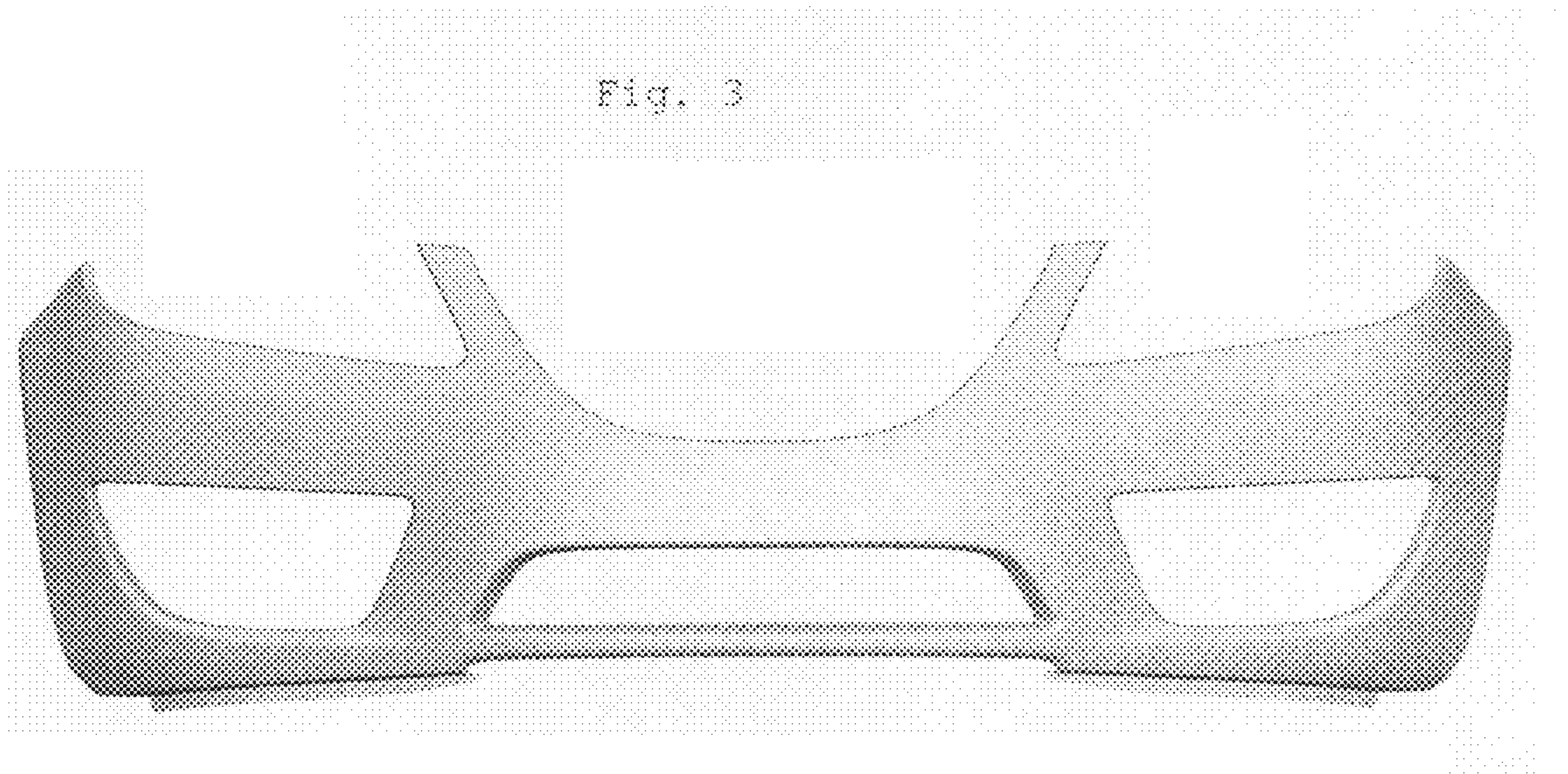


Fig. 4

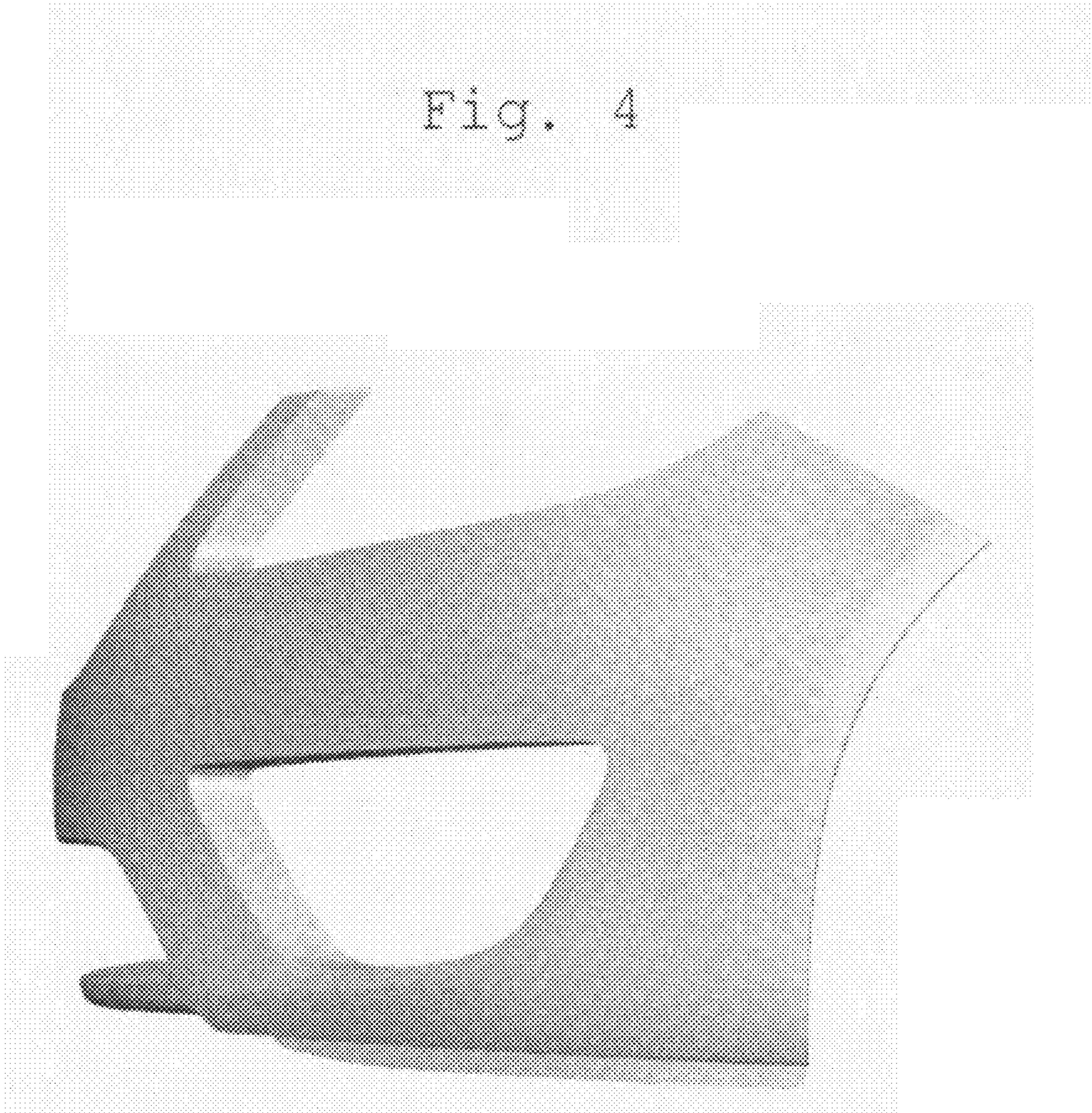


Fig. 5

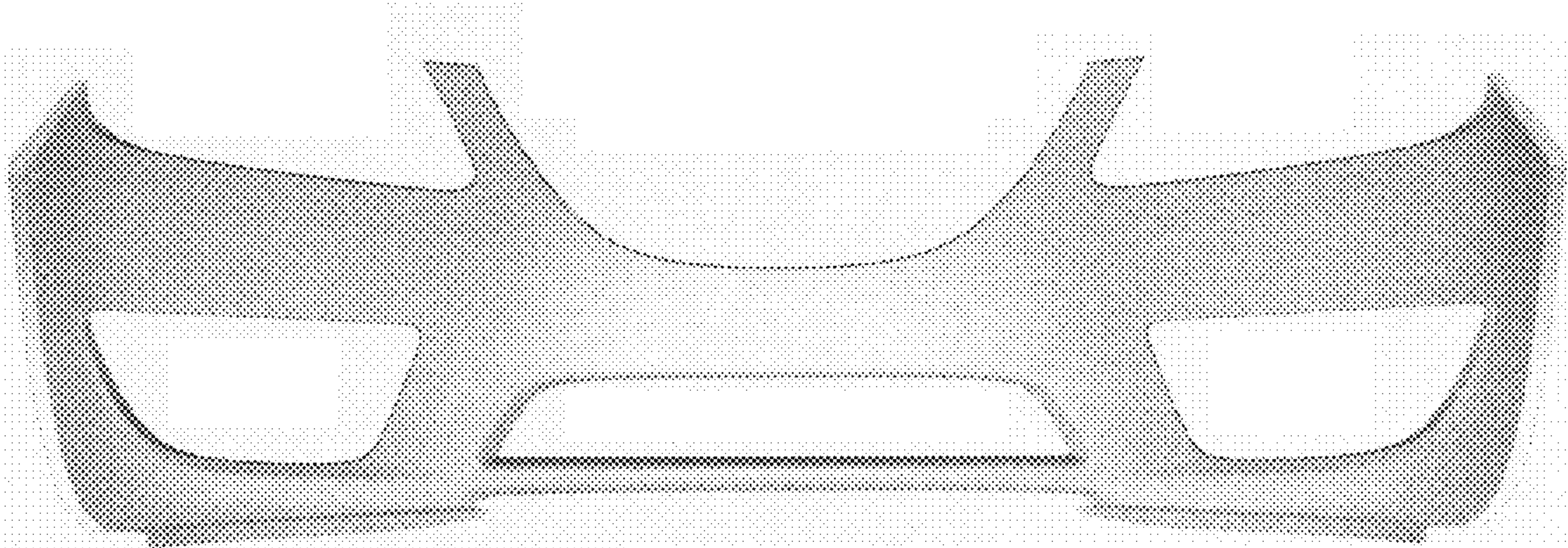


Fig. 6

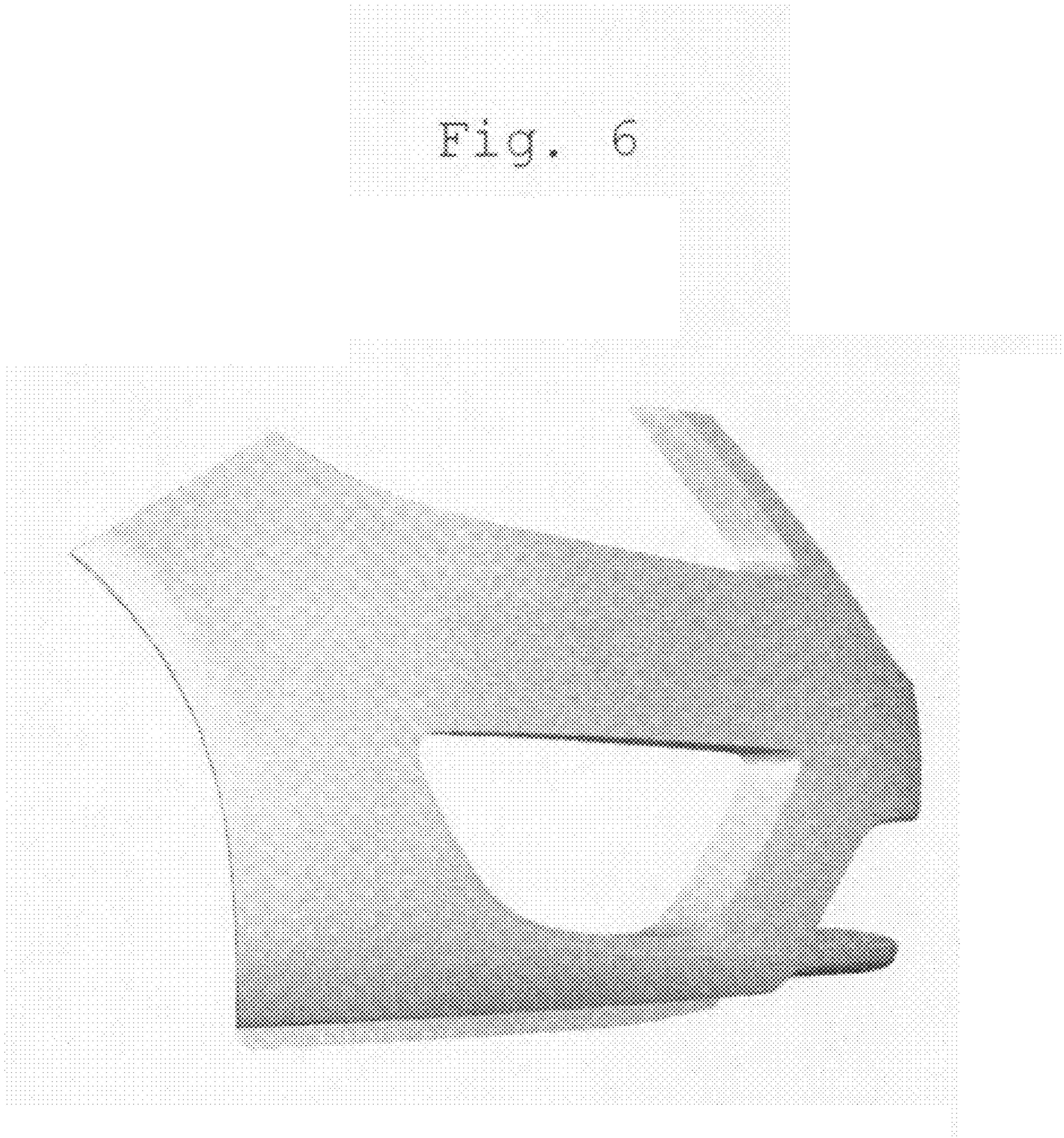


Fig. 7

