

US00D605092S

(12) **United States Design Patent**  
**Van Buuren**

(10) **Patent No.:** **US D605,092 S**

(45) **Date of Patent:** **\*\* Dec. 1, 2009**

(54) **BIKE STAND**

7,150,359 B1 \* 12/2006 Lyons et al. .... 211/20  
7,325,816 B2 \* 2/2008 Johnson ..... 280/79.4

(75) Inventor: **Darren Van Buuren**, R.R. 31, 7793  
Yonge Street, Grassie, ON (CA) L0R  
1M0

\* cited by examiner

*Primary Examiner*—Robin V Webster

*Assistant Examiner*—Linda Brooks

(73) Assignee: **Darren Van Buuren**, Grassie Ontario

(74) *Attorney, Agent, or Firm*—Gowling Lafleur Henderson  
LLP

(\*\*) Term: **14 Years**

(57) **CLAIM**

(21) Appl. No.: **29/311,323**

The ornamental design for a bike stand, as shown and described.

(22) Filed: **Feb. 19, 2009**

**DESCRIPTION**

(51) **LOC (9) Cl.** ..... **12-11**

FIG. 1 is a front perspective view from the left of the bike stand in accordance with the design;

(52) **U.S. Cl.** ..... **D12/115**

FIG. 2 is a rear perspective view from the right;

(58) **Field of Classification Search** ..... D12/115,

FIG. 3 is a side view from the right;

D12/120, 101, 406; 211/5, 17-22; 248/288.11,

FIG. 4 is a front view;

248/289.11, 292.13, 299.1; 224/42.12, 42.13,

FIG. 5 is a side view from the left;

224/42.3, 403, 924; 280/293, 292; 254/45;

FIG. 6 is a rear view;

D34/28, 31, 32

FIG. 7 is a plan view;

See application file for complete search history.

FIG. 8 is a bottom view; and,

(56) **References Cited**

FIG. 9 is a front perspective view from the left of the bike stand in the “open” position to receive the wheel of a motor bike.

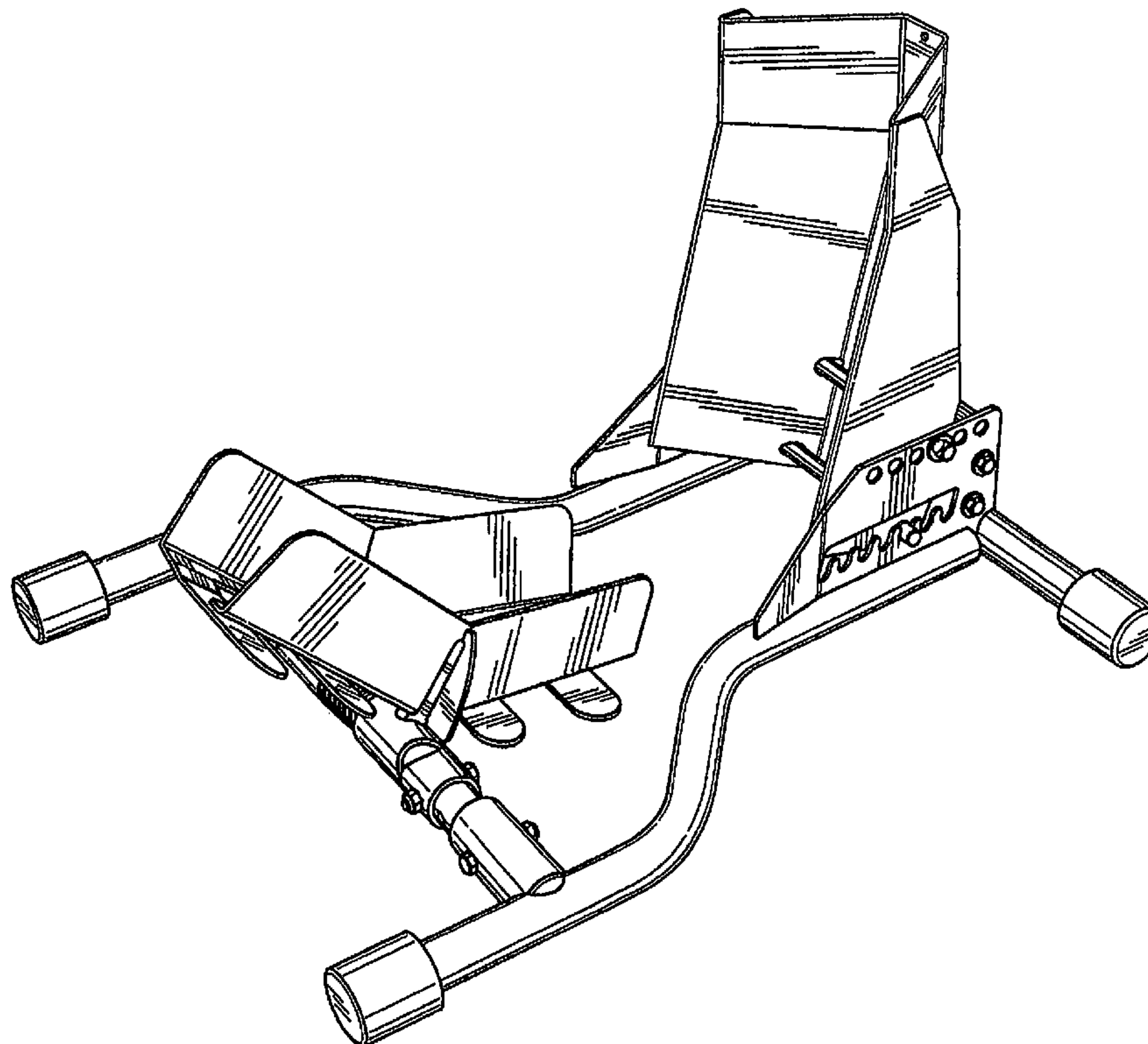
**U.S. PATENT DOCUMENTS**

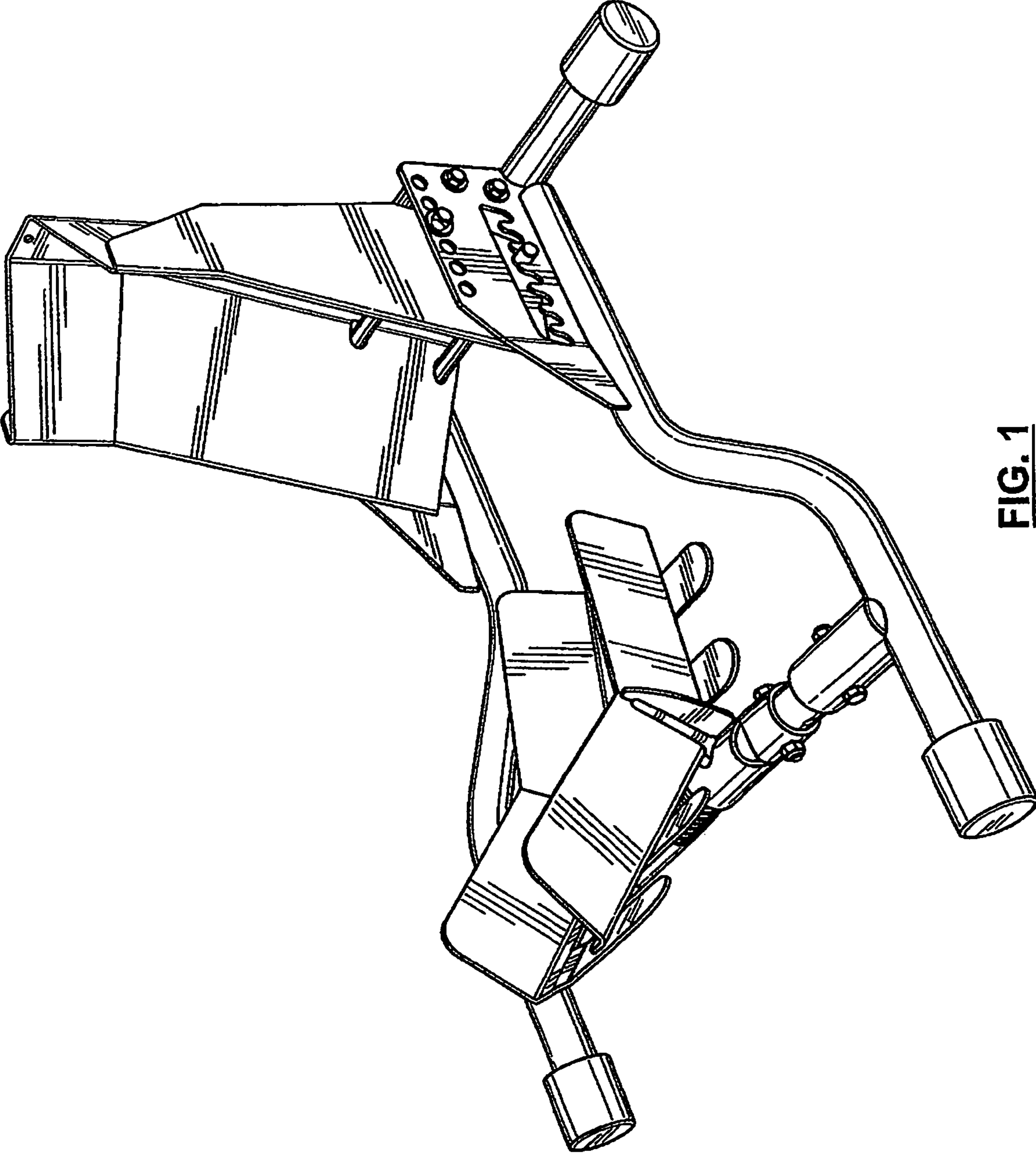
5,988,402 A \* 11/1999 Mayfield ..... 211/20

6,241,104 B1 \* 6/2001 Kraus ..... 211/20

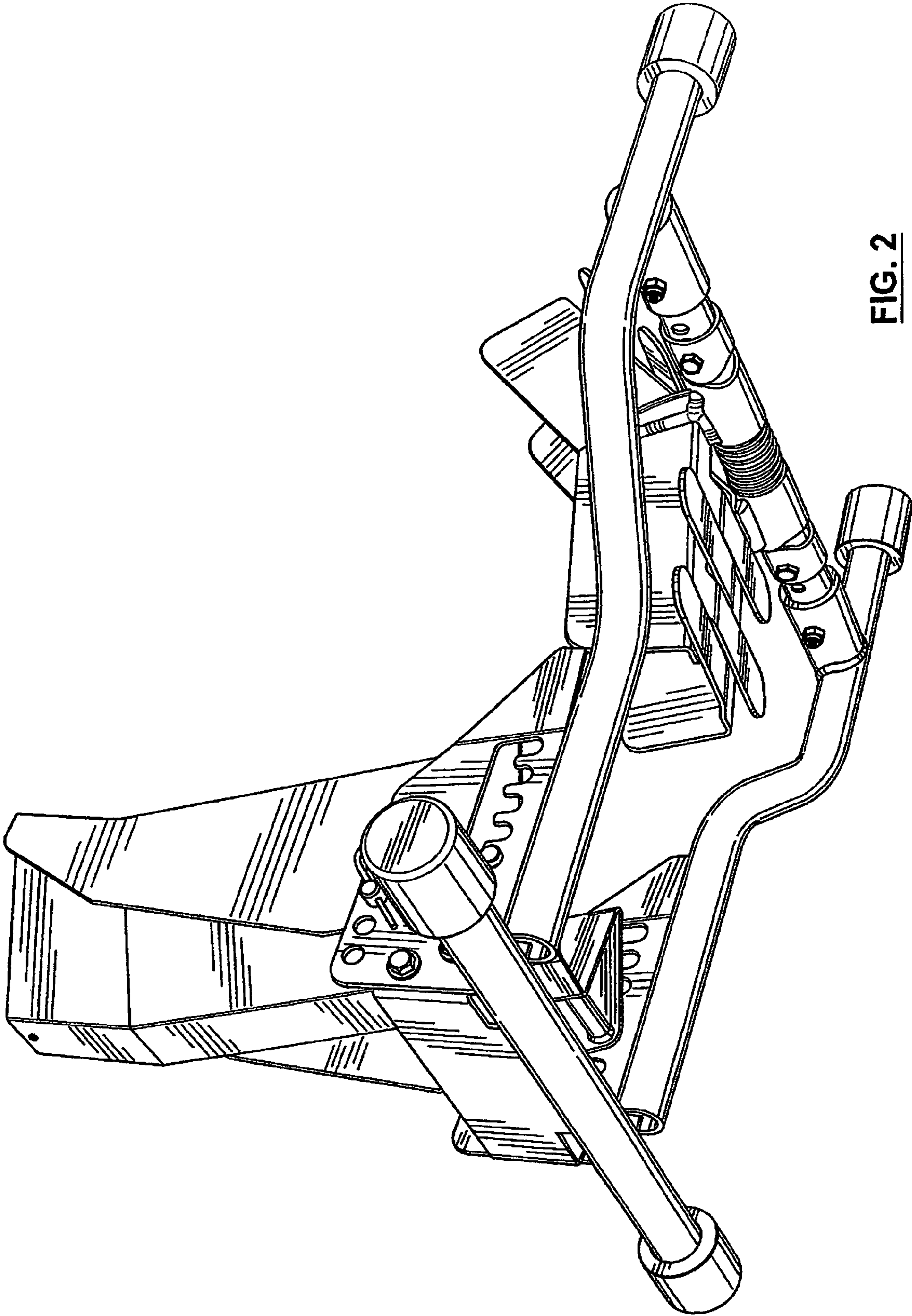
6,640,979 B1 \* 11/2003 Mayfield ..... 211/20

**1 Claim, 9 Drawing Sheets**

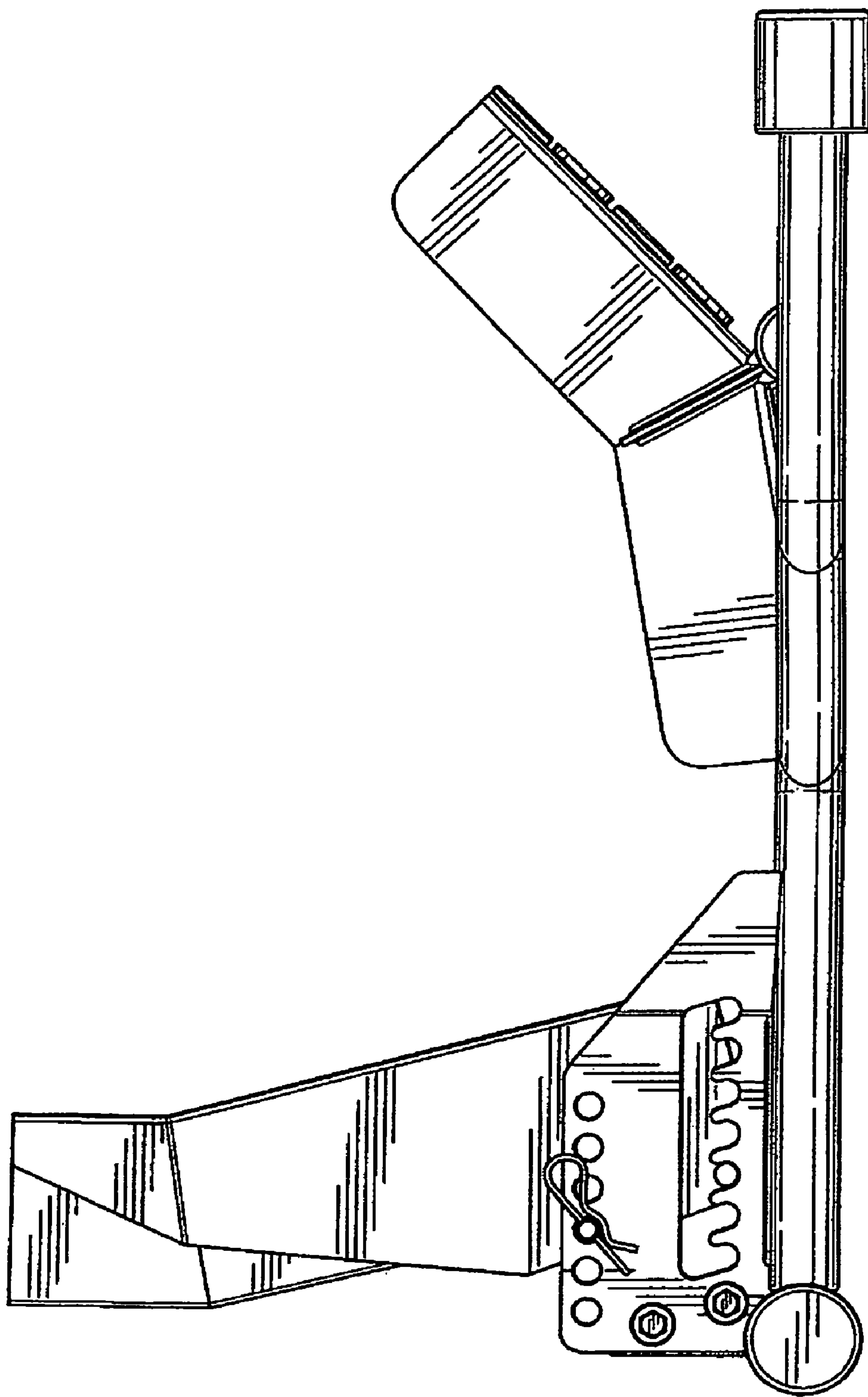




**FIG. 1**

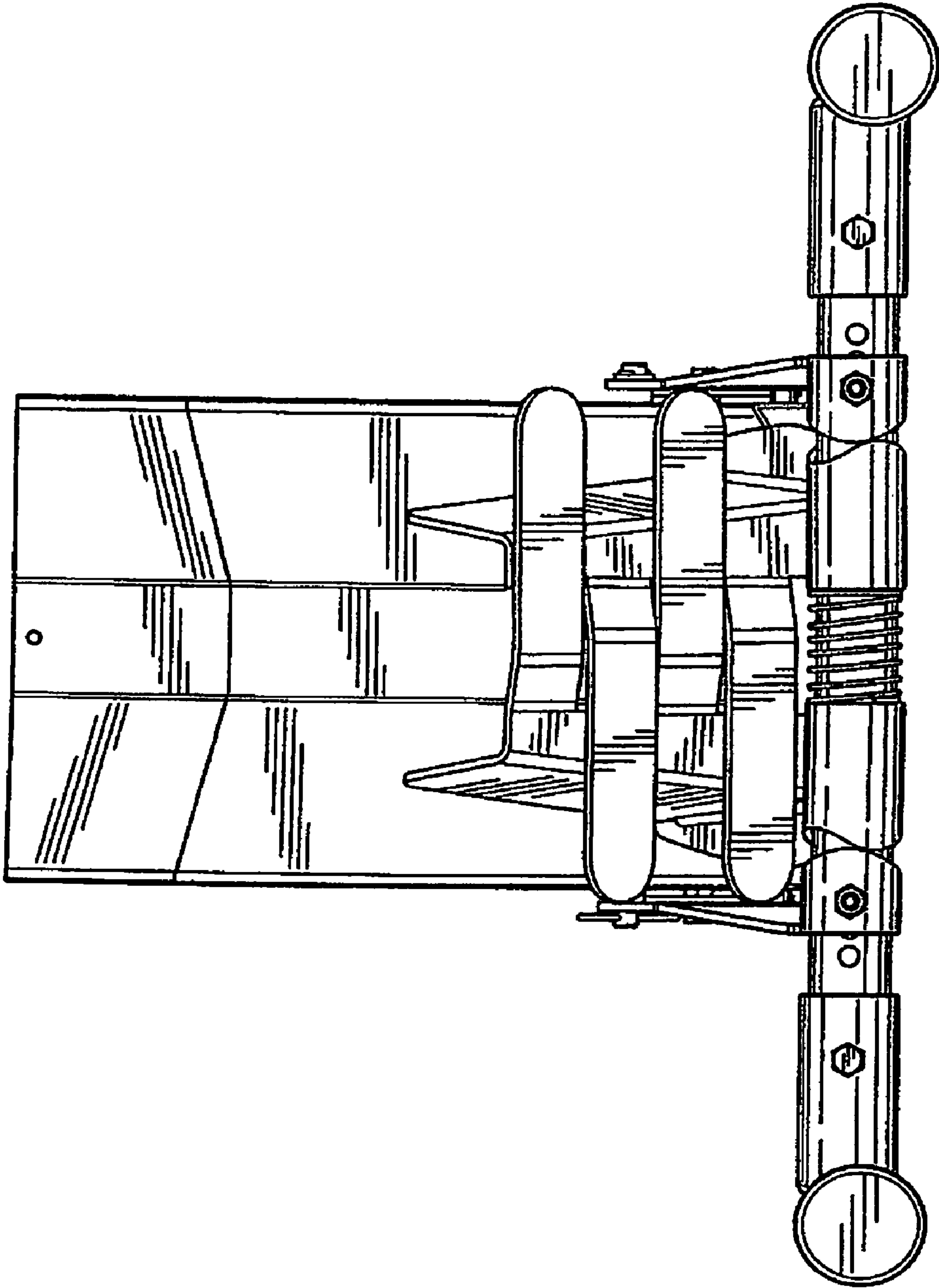


**FIG. 2**

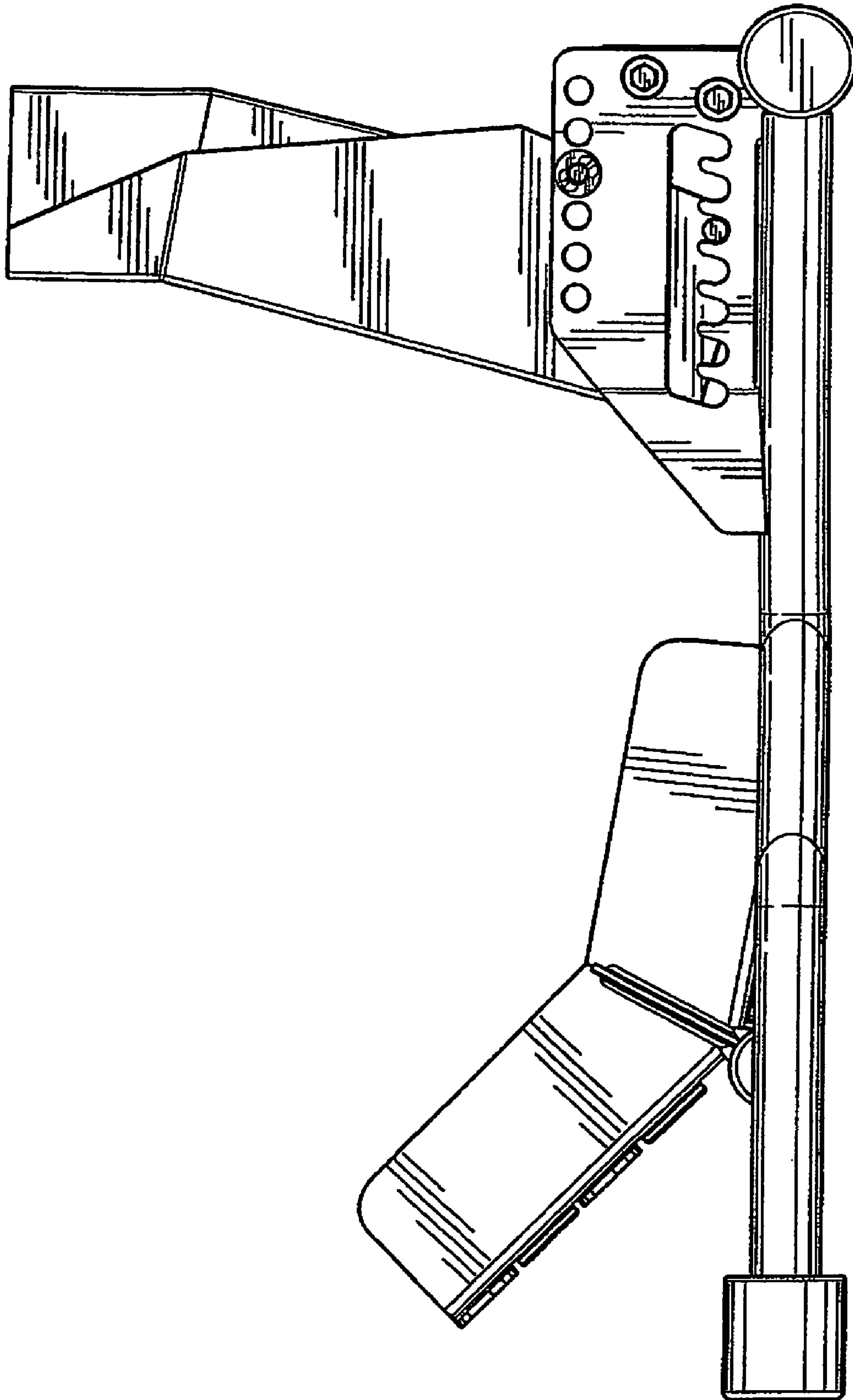


**FIG. 3**

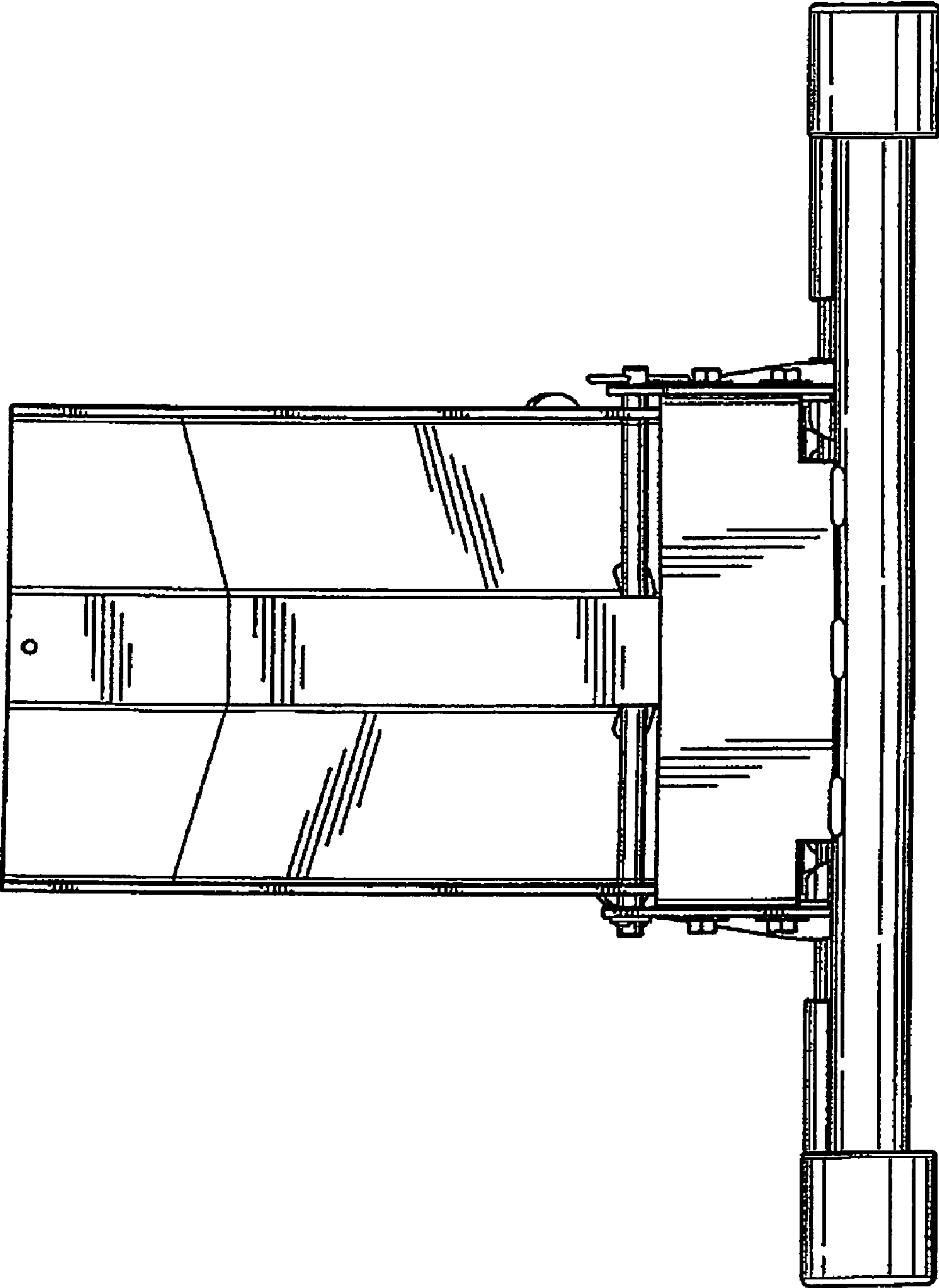




**FIG. 4**



**FIG. 5**



**FIG. 6**

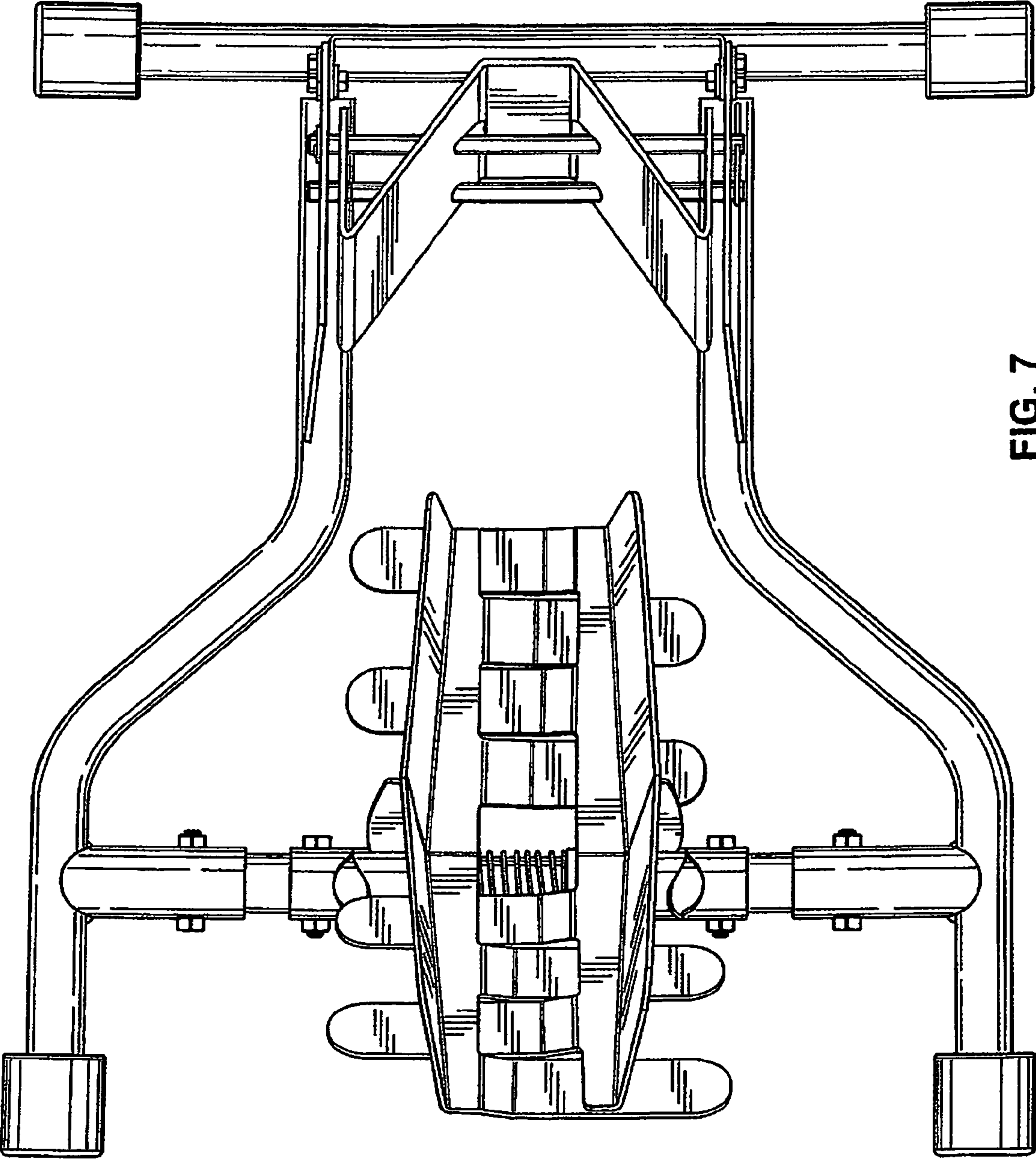
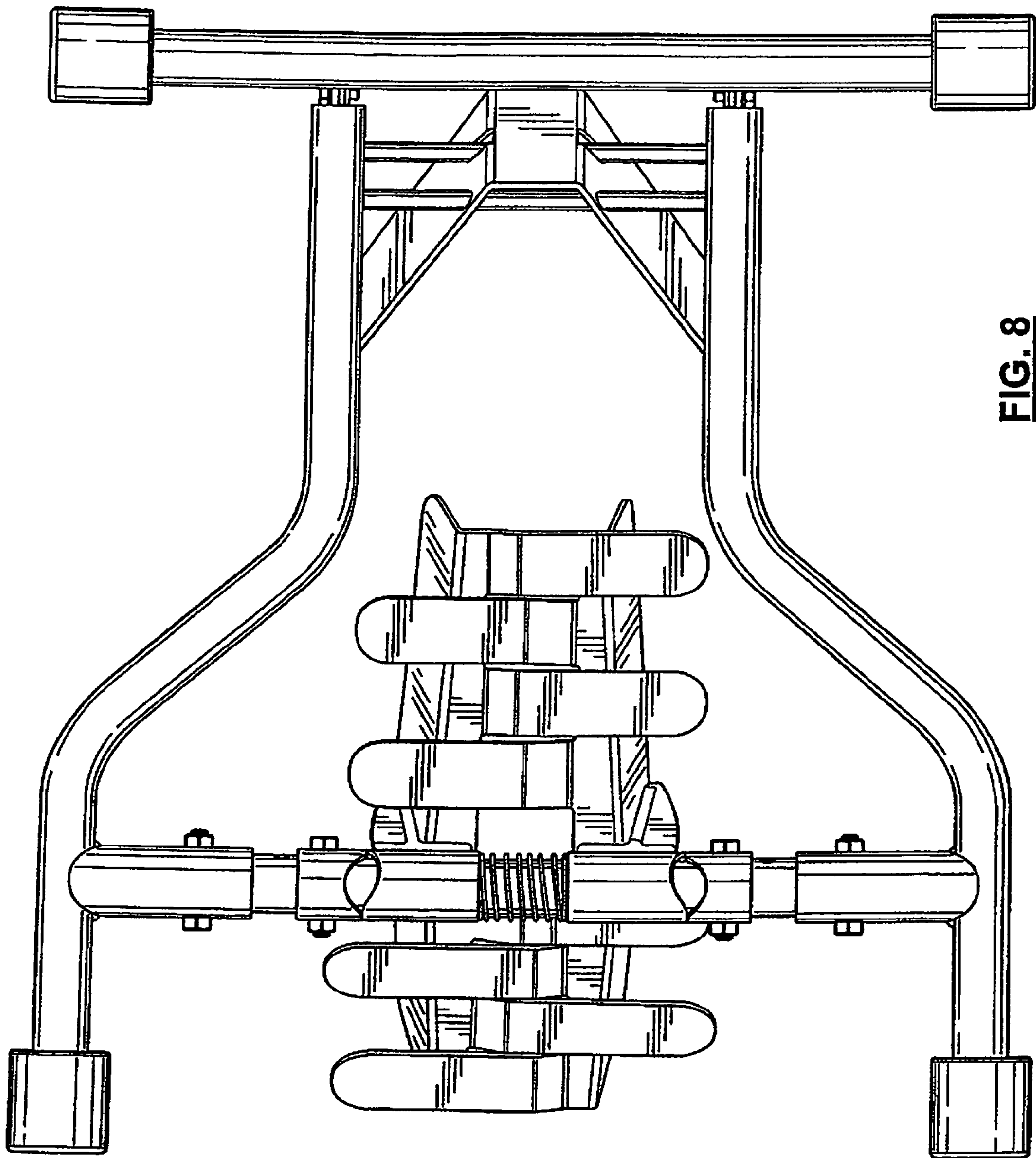
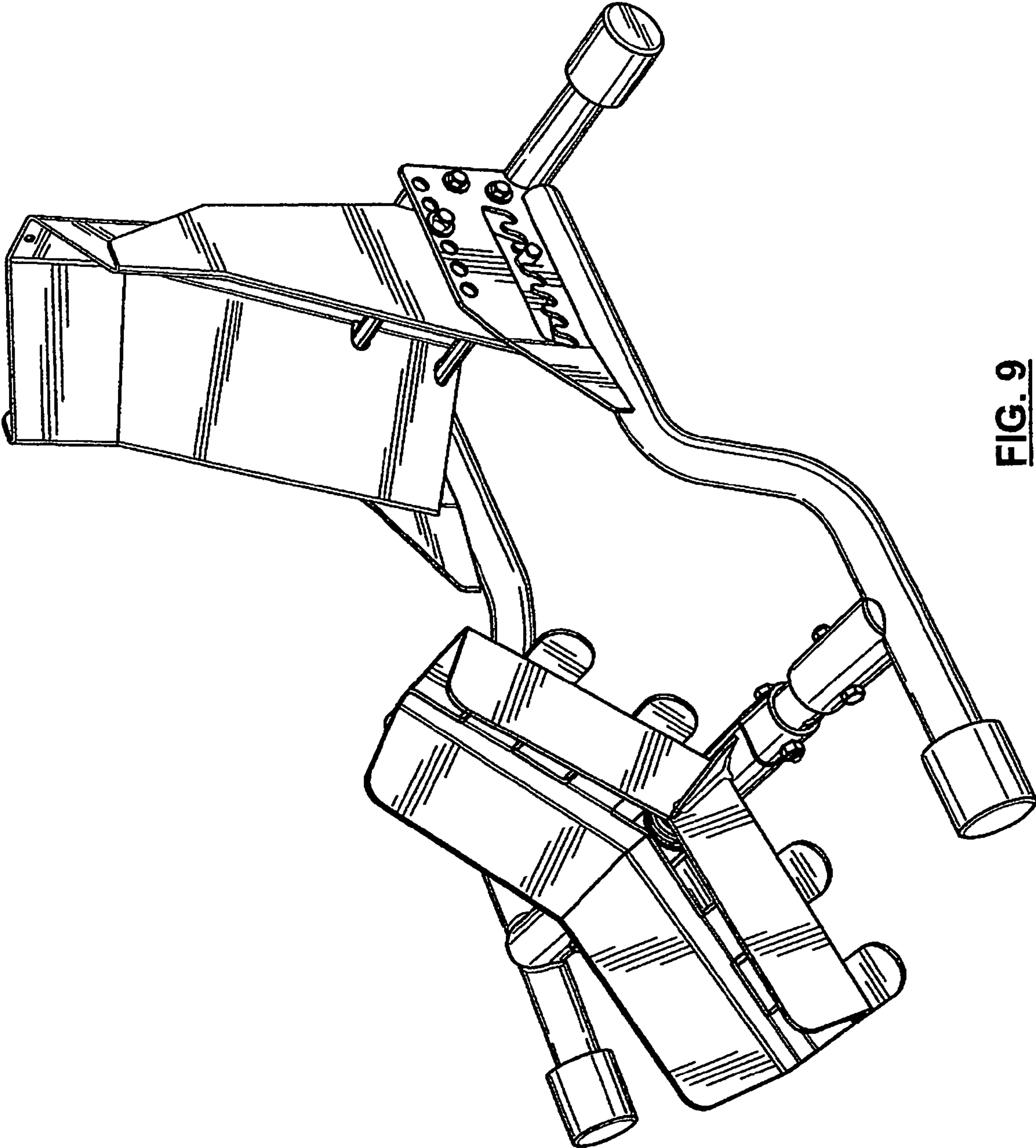


FIG. 7





**FIG. 8**



**FIG. 9**