



US00D605091S

(12) **United States Design Patent**
Fjeldskaar et al.

(10) **Patent No.:** **US D605,091 S**
(45) **Date of Patent:** **** Dec. 1, 2009**

(54) **BICYCLE FRAME**

(75) Inventors: **Torgny Fjeldskaar**, Basel (CH);
Christopher Philip Dodman, Basel (CH)

(73) Assignee: **Cannondale Bicycle Corporation**, Bethel, CT (US)

(**) Term: **14 Years**

(21) Appl. No.: **29/323,307**

(22) Filed: **Aug. 22, 2008**

(51) **LOC (9) Cl.** **12-11**

(52) **U.S. Cl.** **D12/111**

(58) **Field of Classification Search** D12/111,
D12/117; 280/274, 281.1, 288.1–288.4,
280/283–287, 275–280, 288

See application file for complete search history.

(56) **References Cited**

U.S. PATENT DOCUMENTS

5,791,674 A 8/1998 D’Aluisio et al.
D479,495 S * 9/2003 Thorpe D12/117
2003/0047905 A1* 3/2003 Duval 280/284
2007/0035106 A1 2/2007 Thorpe

FOREIGN PATENT DOCUMENTS

WO 2005092696 A1 10/2005

OTHER PUBLICATIONS

The Folding Cyclist; 2001 BMW Folding Mountain Bike; Copyright 2007 Folding Cyclist Inc.

The Folding Cyclist; 1999 CMK Folding Bike; Copyright 2007 Folding Cyclist Inc.

* cited by examiner

Primary Examiner—Robin V Webster

Assistant Examiner—Linda G. Brooks

(74) *Attorney, Agent, or Firm*—Cantor Colburn LLP

(57) **CLAIM**

The ornamental design for a bicycle frame, as shown and described.

DESCRIPTION

FIG. 1 is a top-right-front perspective view of a bicycle frame; FIG. 2 is a front elevation view of the bicycle frame of FIG. 1; FIG. 3 is a back elevation view of the bicycle frame of FIG. 1; FIG. 4 is a right side elevation view of the bicycle frame of FIG. 1;

FIG. 5 is a left side elevation view of the bicycle frame of FIG. 1;

FIG. 6 is a top elevation view of the bicycle frame of FIG. 1;

FIG. 7 is a bottom elevation view of the bicycle frame of FIG. 1; and,

FIG. 8 is a right side elevation view of the bicycle frame of FIG. 1 similar to FIG. 4, but with additional subject matter illustrated in dashed broken lines.

The dashed broken lines in FIGS. 1–8 represent environmental subject matter and a portion of the bicycle frame that forms no part of the design.

A characteristic feature of the design resides in the outline of the design as observed from the left or right side elevation views.

1 Claim, 6 Drawing Sheets

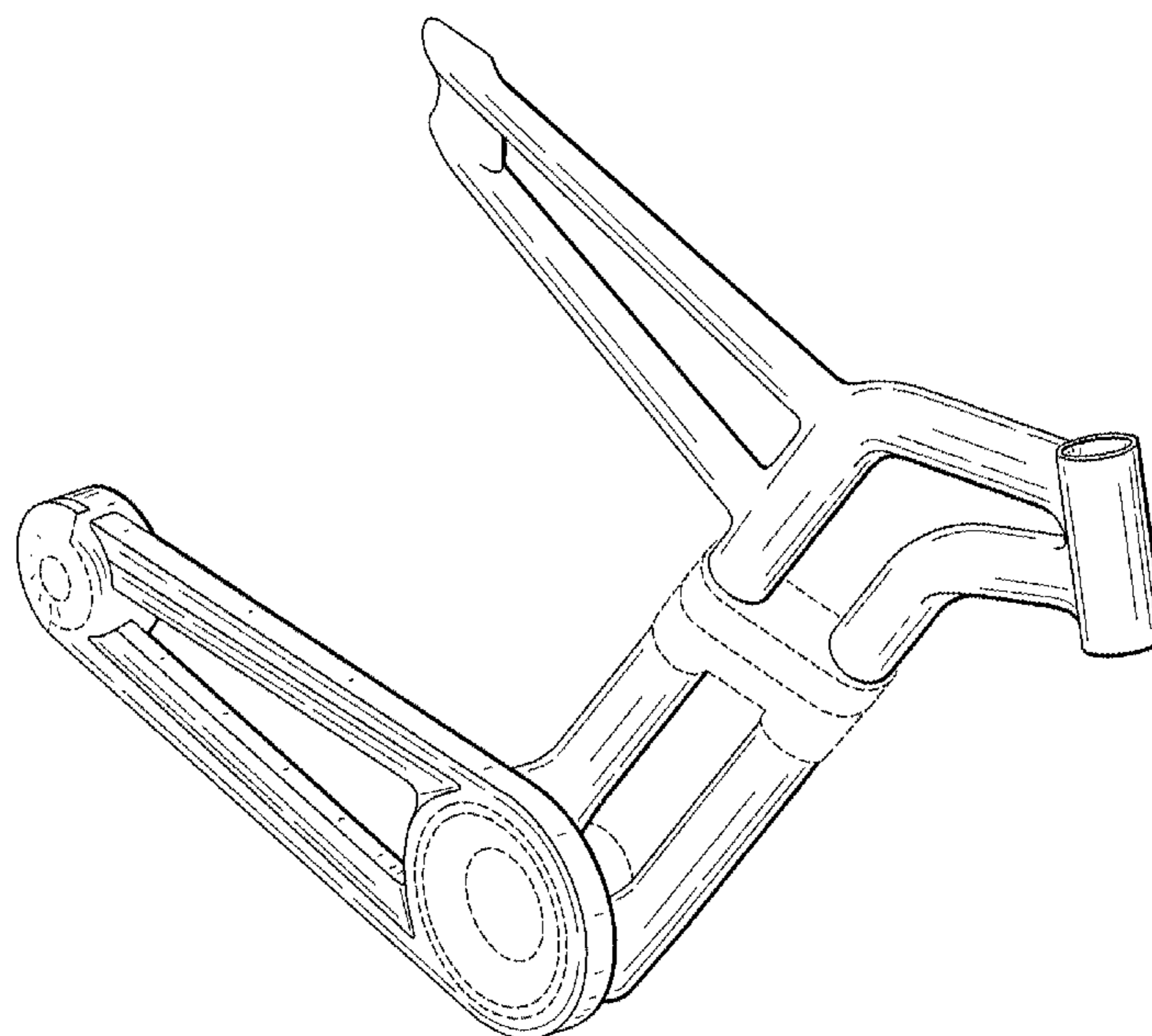


FIG. 1

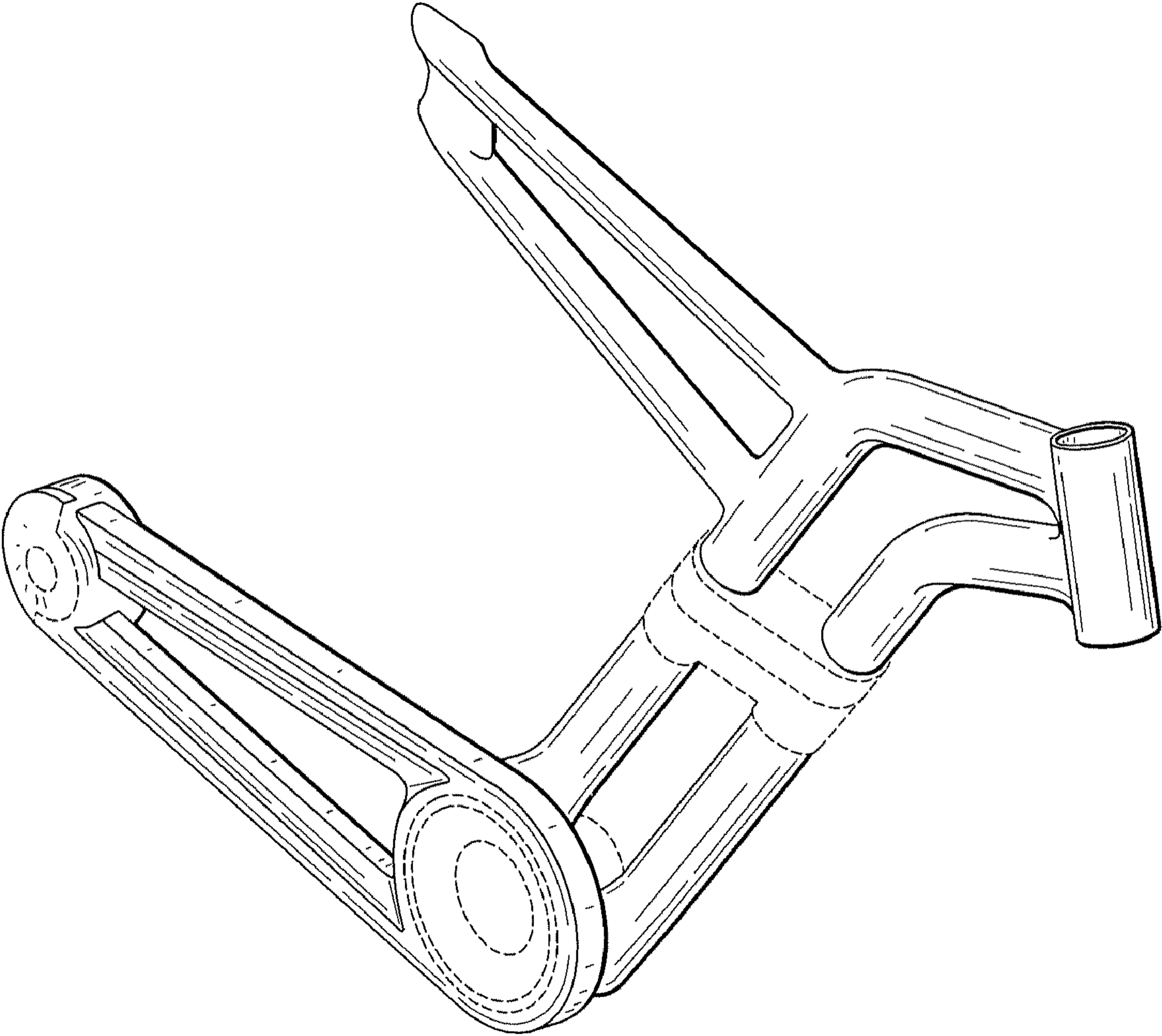


FIG. 2

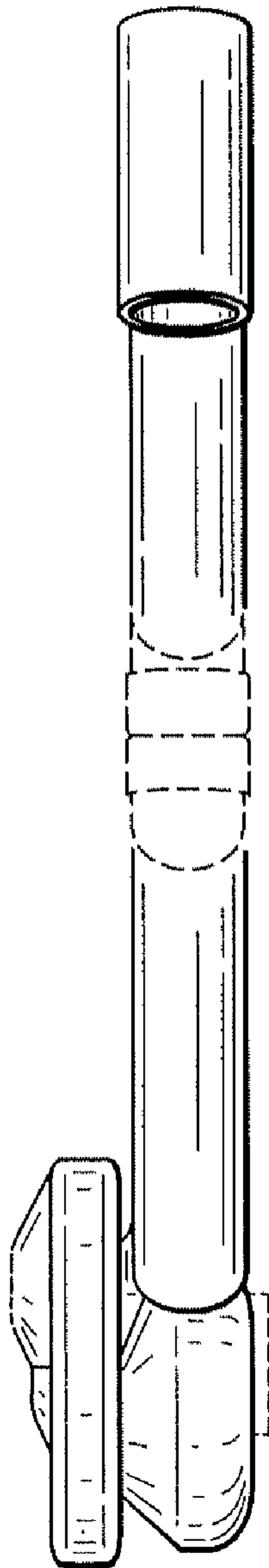


FIG. 3

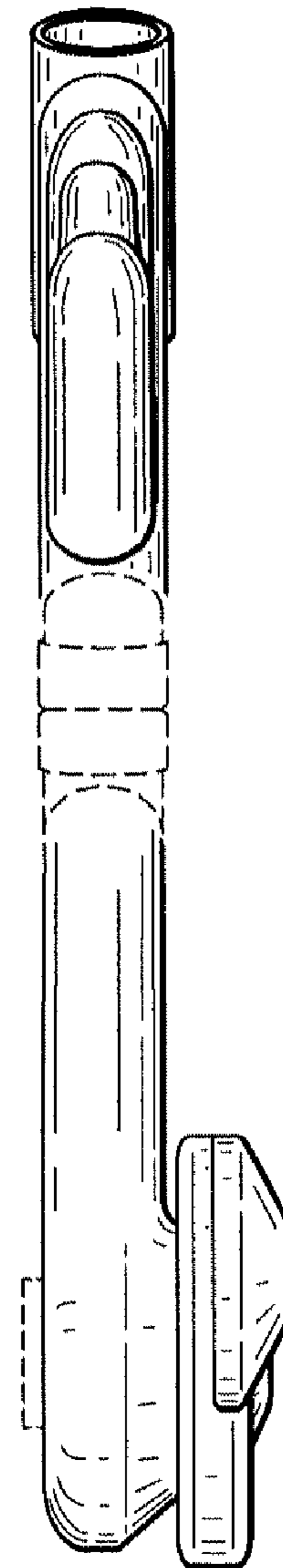


FIG. 4

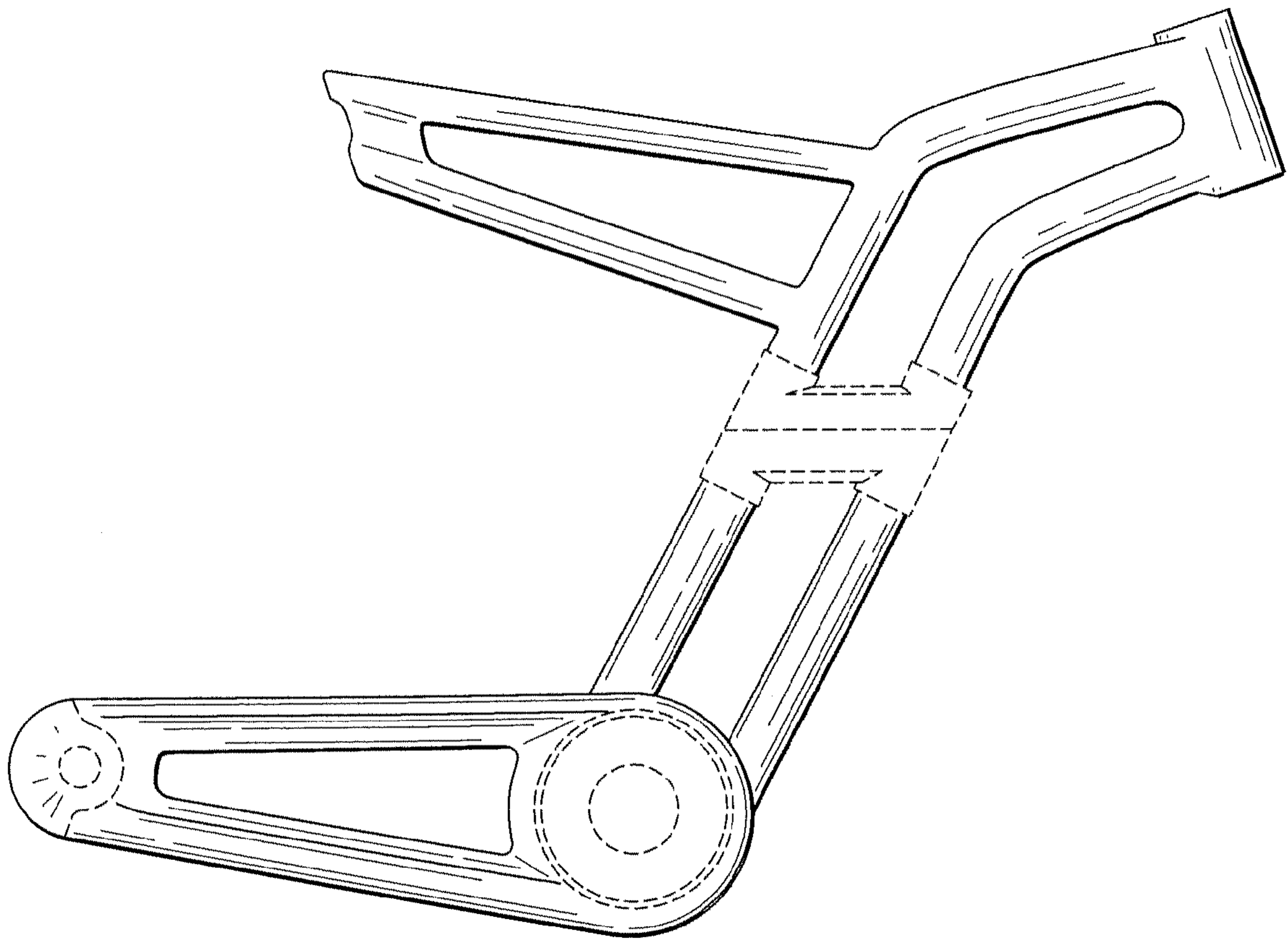


FIG. 5

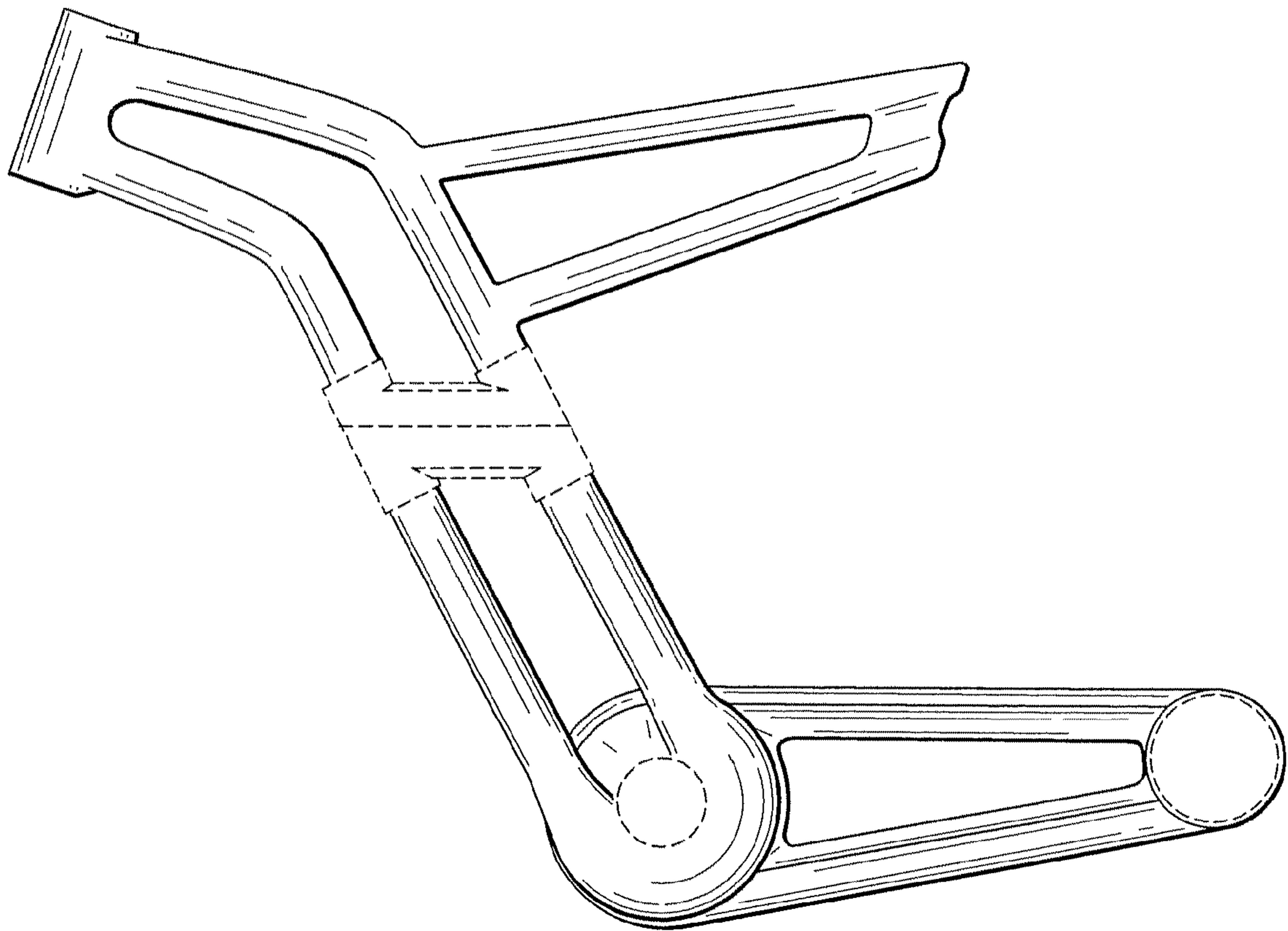


FIG. 6

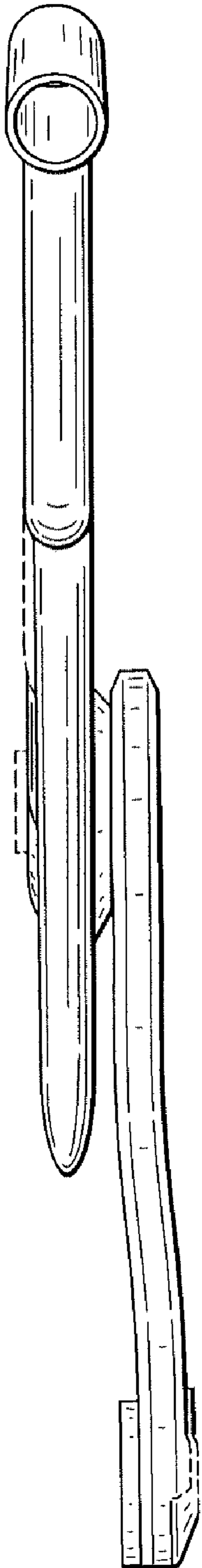


FIG. 7

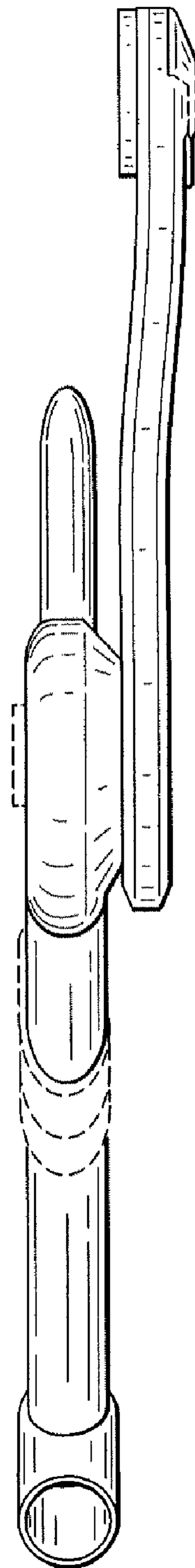


FIG. 8

