



US00D605088S

(12) **United States Design Patent**  
**Tanaka et al.**

(10) **Patent No.:** **US D605,088 S**  
(45) **Date of Patent:** **\*\* Dec. 1, 2009**

(54) **MOTORCYCLE**

D506,163 S \* 6/2005 Uemoto ..... D12/110  
D588,503 S \* 3/2009 Idei et al. .... D12/110

(75) Inventors: **Shunji Tanaka**, Kobe (JP); **Tsutomu Shimizugami**, Kakogawa (JP); **Toshiya Furuta**, Kobe (JP)

**FOREIGN PATENT DOCUMENTS**

JP D1142695 S \* 6/2002

\* cited by examiner

(73) Assignee: **Kawasaki Jukogyo Kabushiki Kaisha**, Hyogo (JP)

*Primary Examiner*—Cathron C Brooks  
*Assistant Examiner*—Linda G. Brooks

(\*\*) Term: **14 Years**

(57) **CLAIM**

(21) Appl. No.: **29/333,857**

The ornamental design for a motorcycle, as shown and described.

(22) Filed: **Mar. 16, 2009**

(30) **Foreign Application Priority Data**

**DESCRIPTION**

Sep. 16, 2008 (JP) ..... 2008-023565

FIG. 1 is a front elevational view of a motorcycle showing our new design;

(51) **LOC (9) Cl.** ..... **12-11**

FIG. 2 is a rear elevational view thereof;

(52) **U.S. Cl.** ..... **D12/110**

FIG. 3 is a left side elevational view thereof;

(58) **Field of Classification Search** ..... D12/110;  
180/219

FIG. 4 is a right side elevational view thereof;

See application file for complete search history.

FIG. 5 is a top plan view thereof;

FIG. 6 is a bottom plan view thereof;

(56) **References Cited**

**U.S. PATENT DOCUMENTS**

D401,892 S \* 12/1998 Sugimoto ..... D12/110

D407,047 S \* 3/1999 Otsubo et al. .... D12/110

FIG. 7 is a front perspective view thereof; and,

FIG. 8 is a rear perspective view thereof.

**1 Claim, 8 Drawing Sheets**

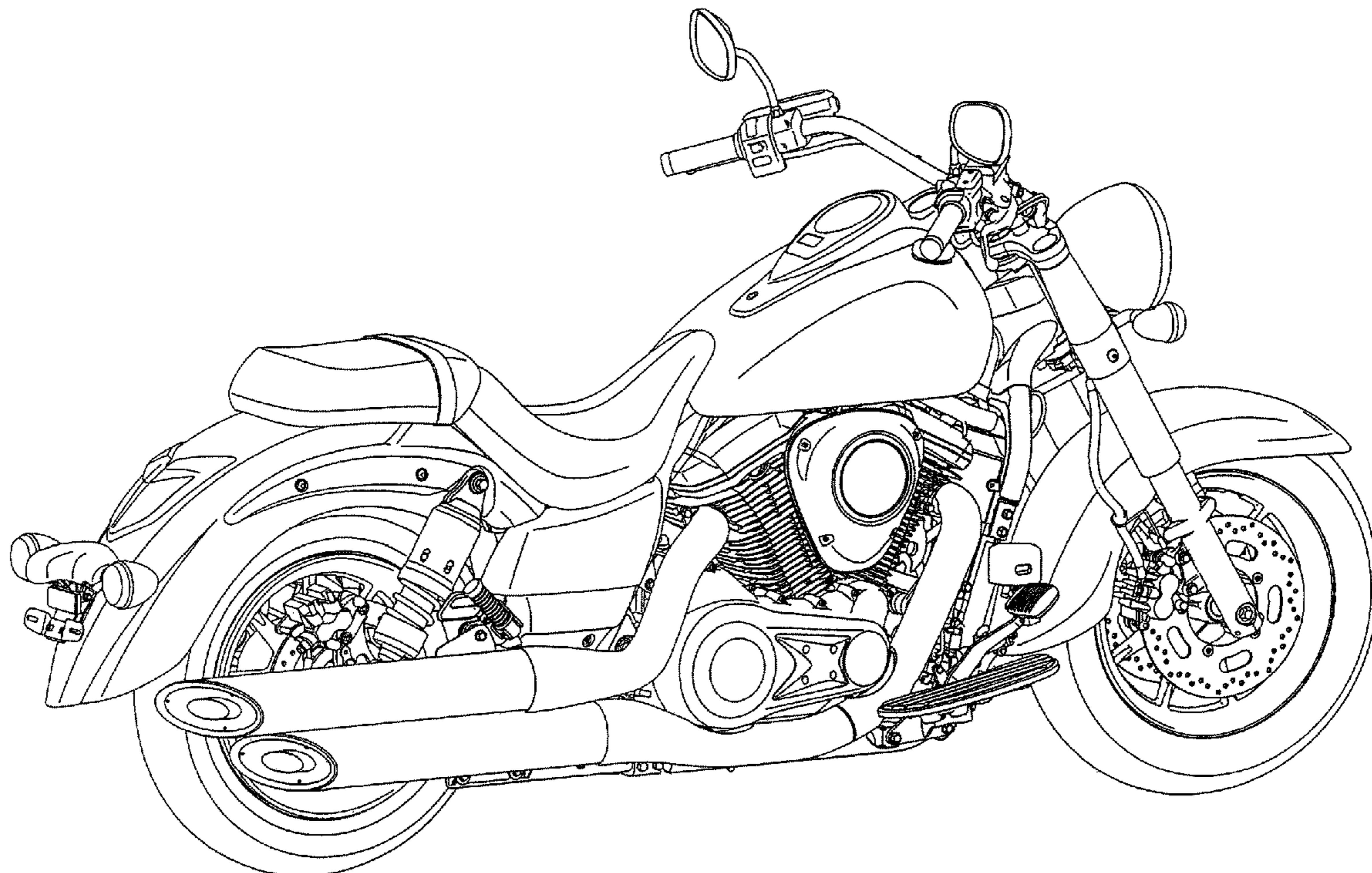


Fig. 1

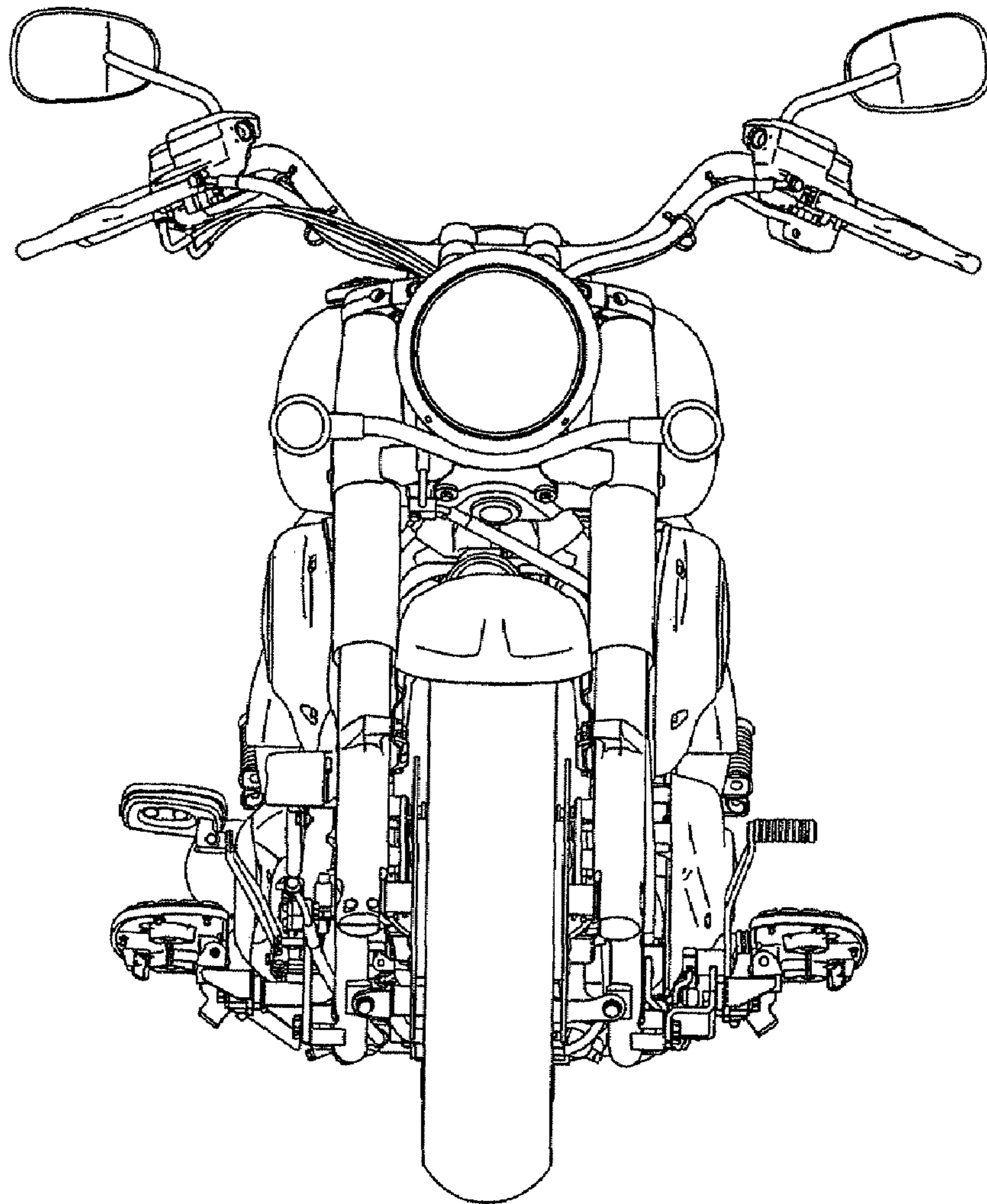
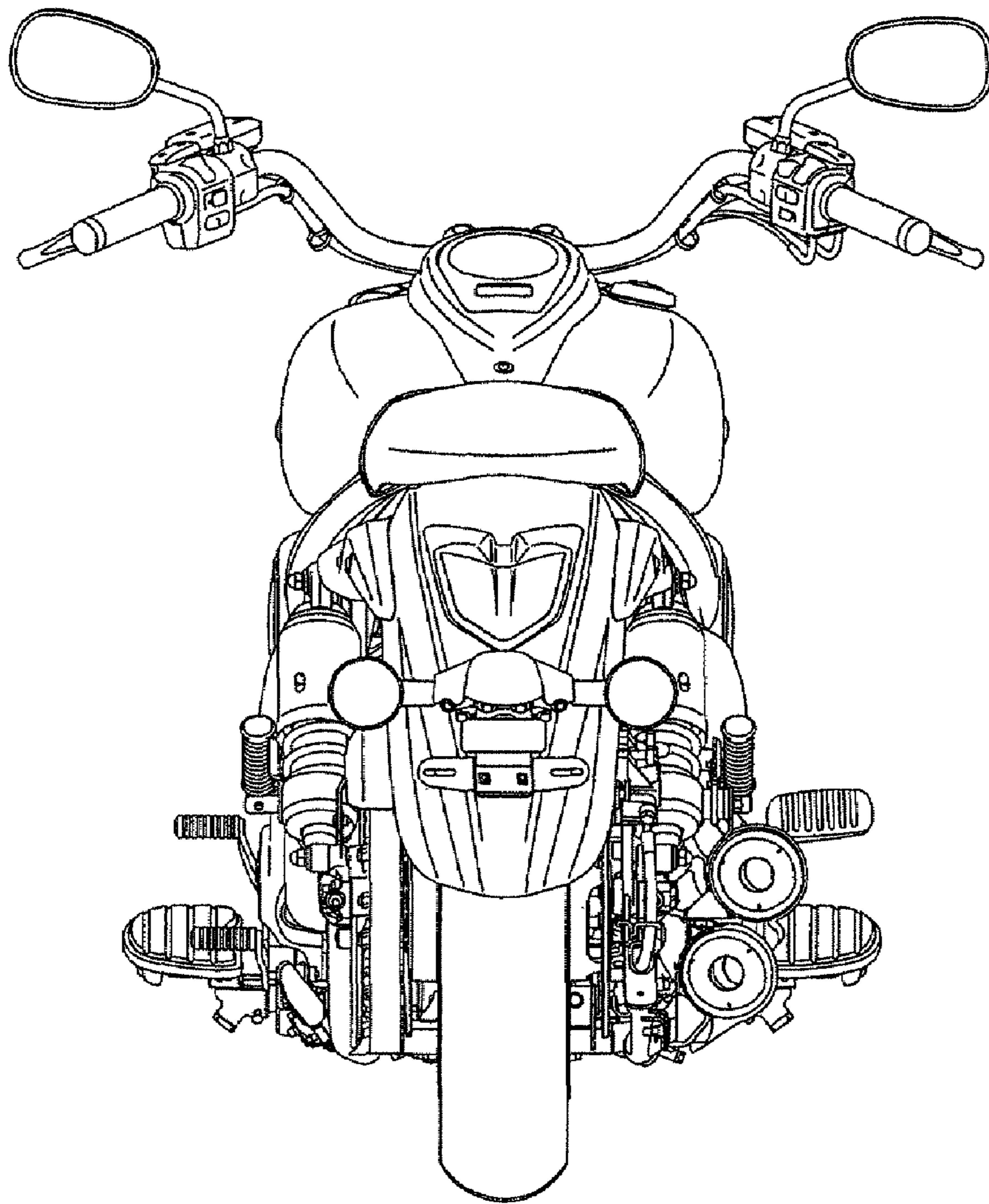


Fig. 2



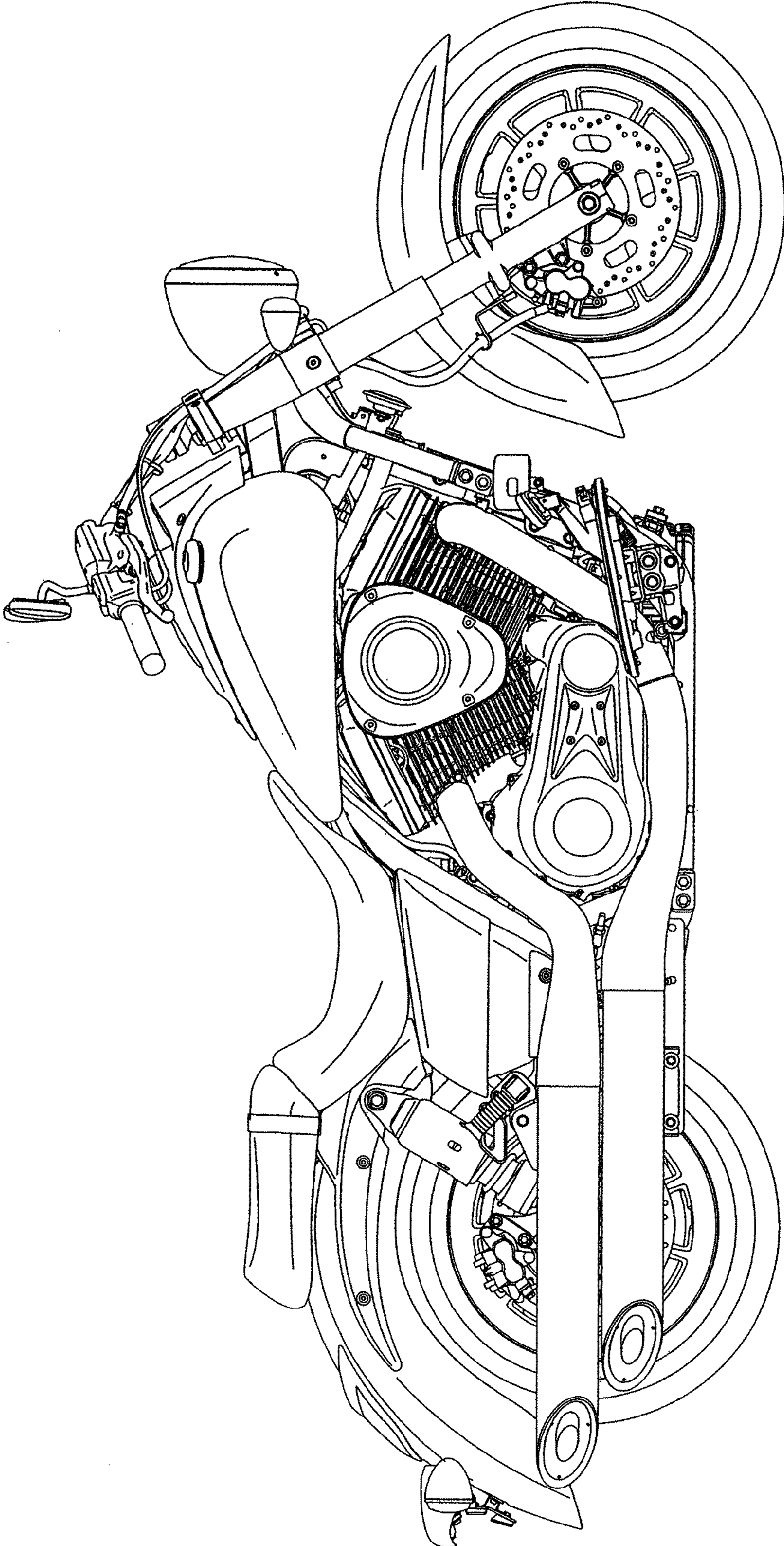


Fig. 3

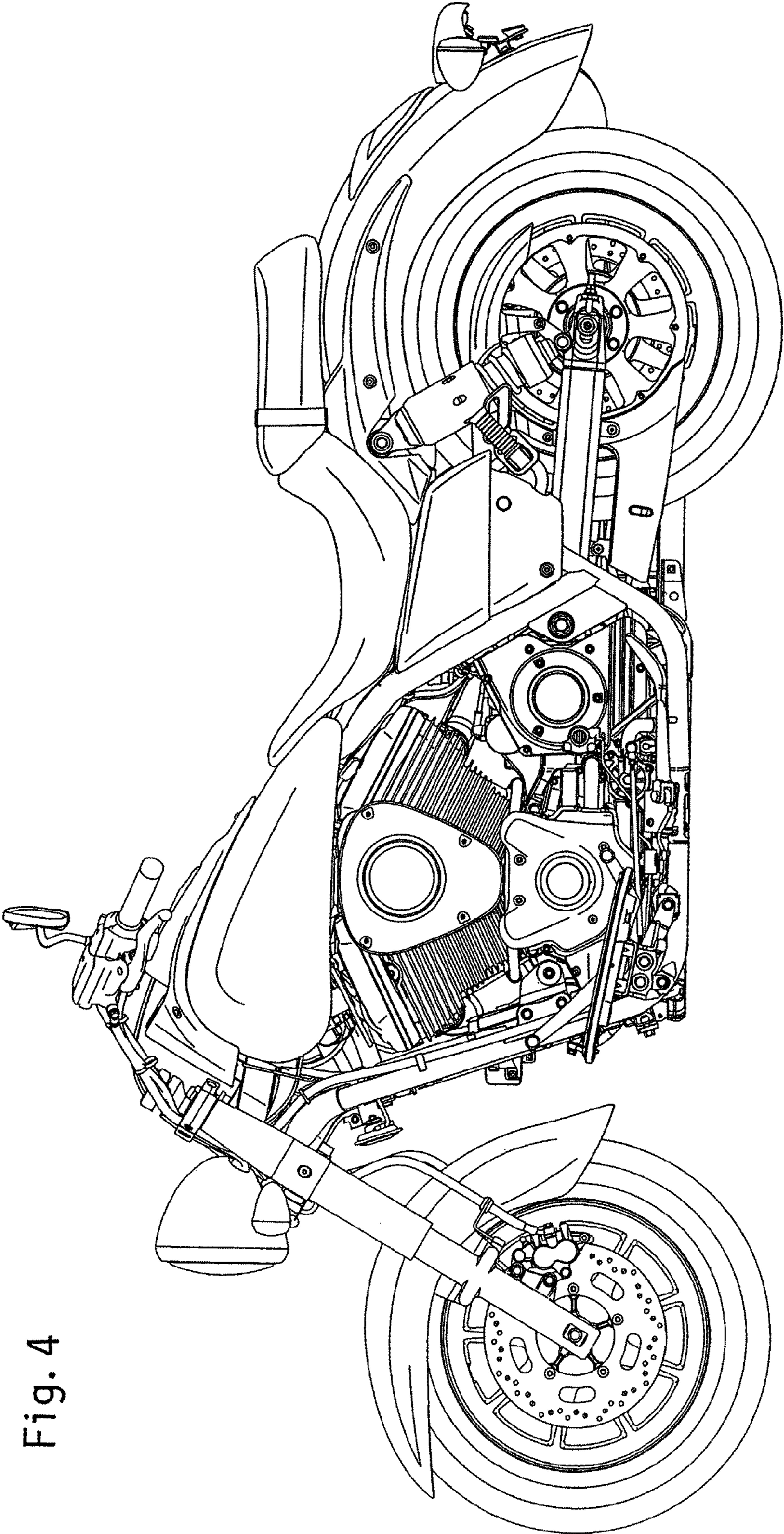


Fig. 4

Fig. 5

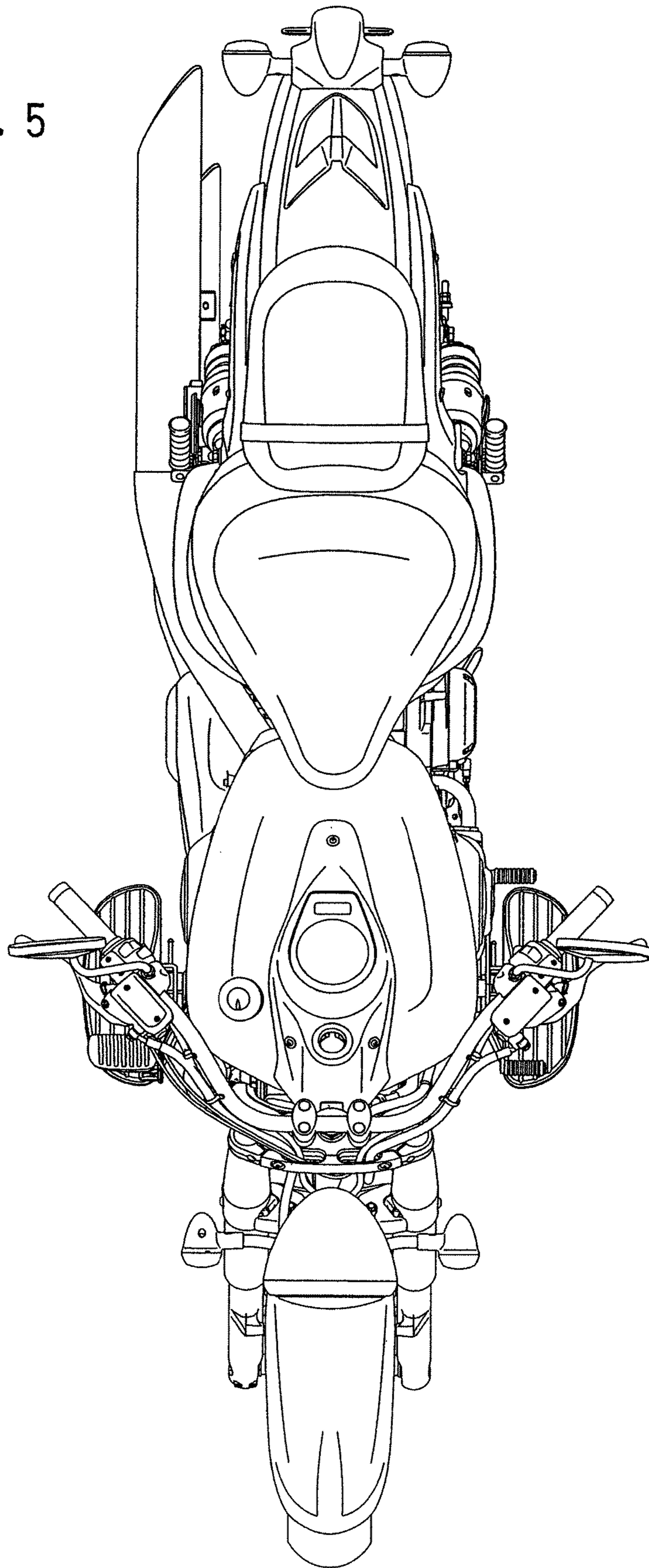
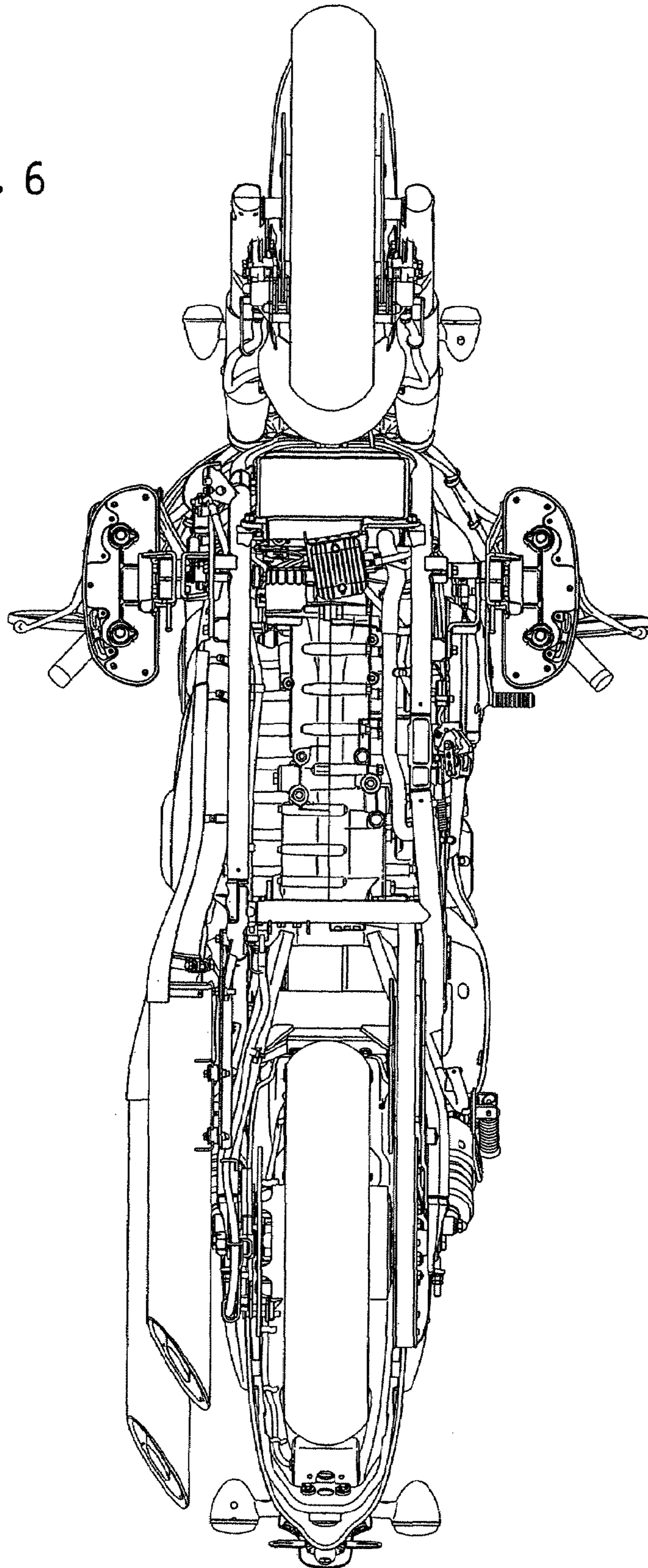


Fig. 6



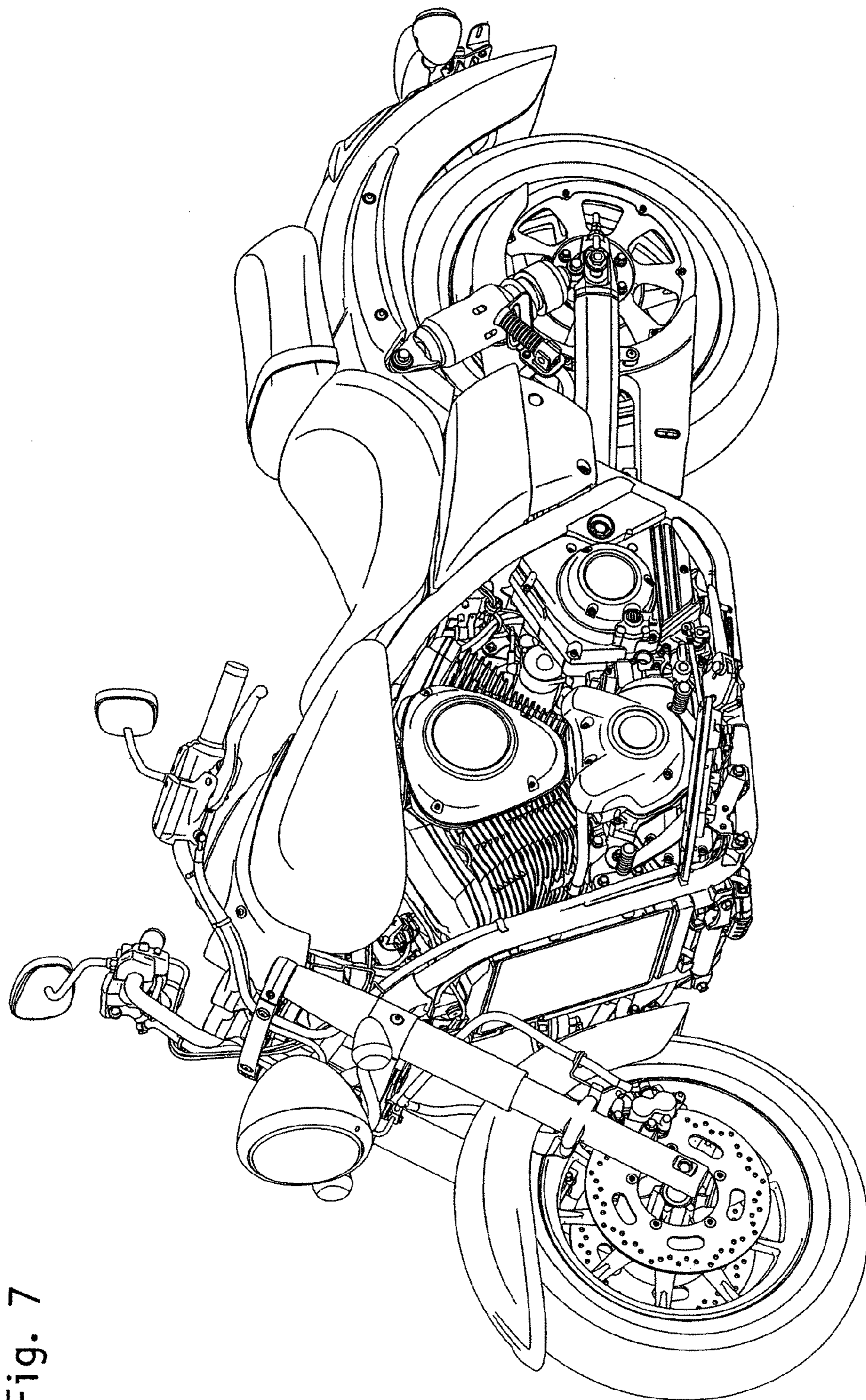


Fig. 7



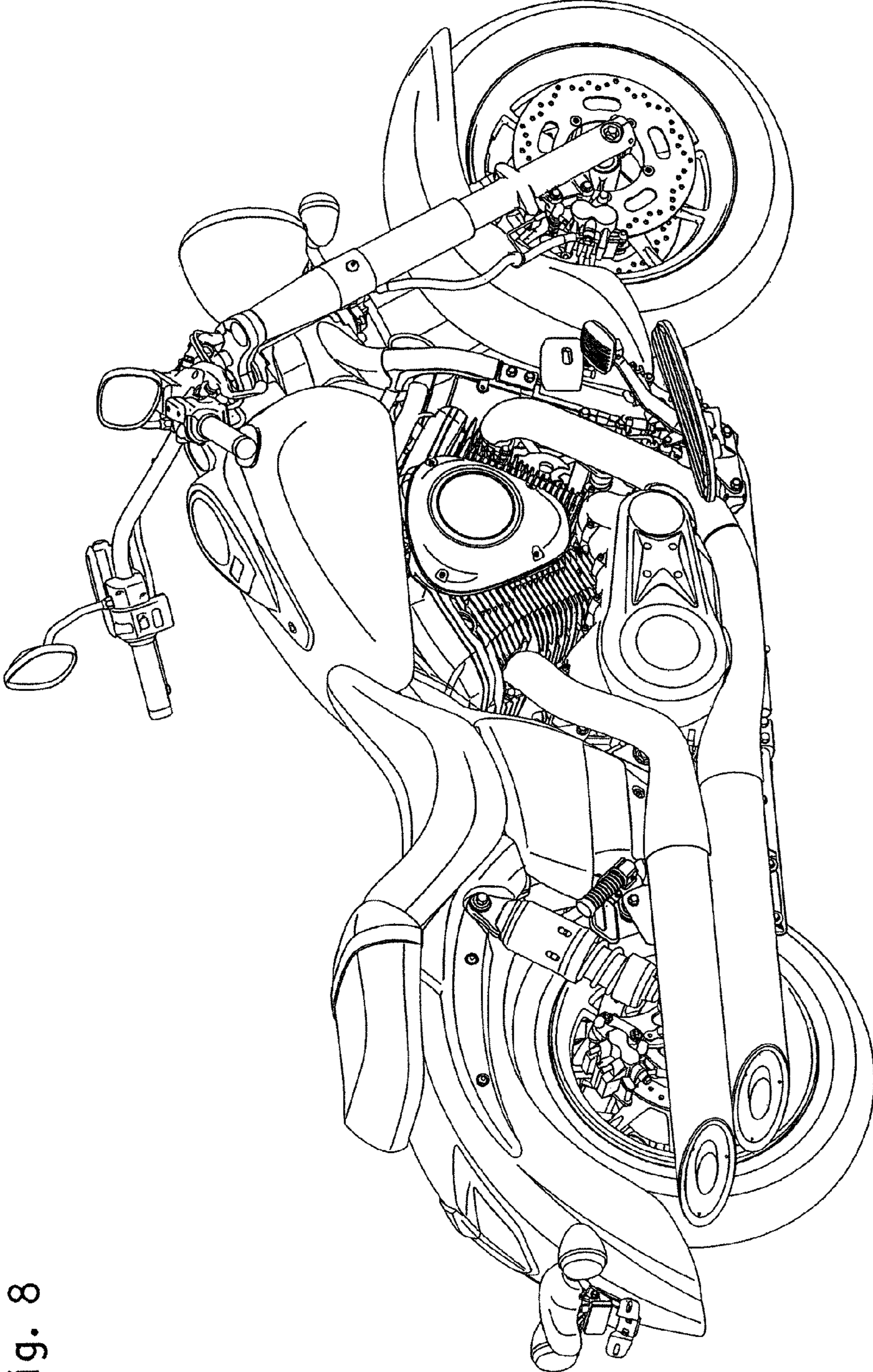


Fig. 8