



US00D605082S

(12) **United States Design Patent**
Munson

(10) **Patent No.:** **US D605,082 S**
(45) **Date of Patent:** **** Dec. 1, 2009**

(54) **VEHICLE BODY**

(75) Inventor: **Robert J. Munson**, Rochester Hills, MI (US)

(73) Assignee: **GM Global Technology Operations, Inc.**, Detroit, MI (US)

(**) Term: **14 Years**

(21) Appl. No.: **29/302,151**

(22) Filed: **Jan. 11, 2008**

(51) **LOC (9) Cl.** **12-08**

(52) **U.S. Cl.** **D12/86**

(58) **Field of Classification Search** D12/82,
D12/86, 88, 90, 91, 92; D21/424, 433; 280/756;
296/96.12, 146.9, 181.1, 181.5, 185
See application file for complete search history.

(56) **References Cited**

U.S. PATENT DOCUMENTS

D442,518 S *	5/2001	Dehner et al.	D12/92
D459,274 S *	6/2002	Warkuss et al.	D12/92
D488,100 S *	4/2004	Wakao et al.	D12/92
D500,709 S *	1/2005	van Hooydonk	D12/92
D502,430 S *	3/2005	Egger	D12/92
D505,360 S *	5/2005	Kodama et al.	D12/92
D509,771 S *	9/2005	Elmitt	D12/92
D512,342 S *	12/2005	Okazaki et al.	D12/92
D525,174 S *	7/2006	Minowa et al.	D12/92
D525,175 S *	7/2006	Konaka	D12/92
D525,915 S *	8/2006	Minowa et al.	D12/92
D575,196 S *	8/2006	Hosoda et al.	D12/92
D540,213 S *	4/2007	Markefka	D12/91

D540,216 S *	4/2007	Pfeiffer	D12/92
D542,714 S *	5/2007	Markefka	D12/91
D543,136 S *	5/2007	Arai et al.	D12/92
D551,596 S *	9/2007	Ishizuka et al.	D12/92
D560,556 S *	1/2008	Pfeiffer	D12/92
D562,188 S *	2/2008	Matsumoto et al.	D12/92
D565,468 S *	4/2008	Abe	D12/92
D569,768 S *	5/2008	Bauer et al.	D12/92
D570,737 S *	6/2008	Dean et al.	D12/92
D578,040 S *	10/2008	Ward	D12/92
D578,439 S *	10/2008	Yukawa et al.	D12/92
D580,826 S *	11/2008	Rhoades et al.	D12/92
D581,318 S *	11/2008	Gabath et al.	D12/92

* cited by examiner

Primary Examiner—Sandra Snapp
Assistant Examiner—Patricia Palasik

(57) **CLAIM**

The ornamental design for a vehicle body, as shown and described.

DESCRIPTION

FIG. 1 is a right front perspective view of a vehicle body showing the new design;

FIG. 2 is a left rear perspective view thereof;

FIG. 3 is a front view thereof;

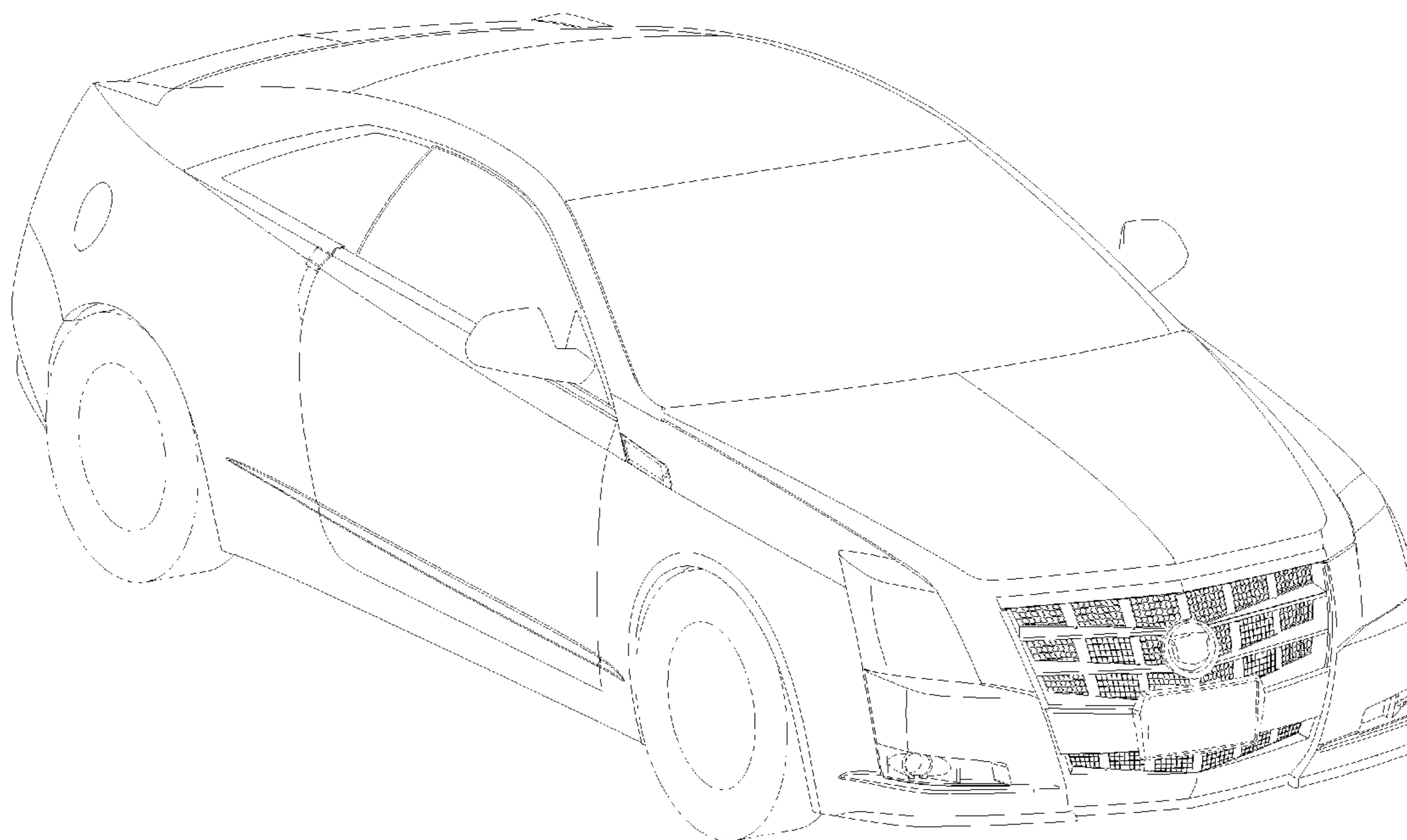
FIG. 4 is a rear view thereof;

FIG. 5 is a left side view thereof; and,

FIG. 6 is a top view thereof.

The elements shown in broken lines form no part of the claimed invention.

1 Claim, 6 Drawing Sheets



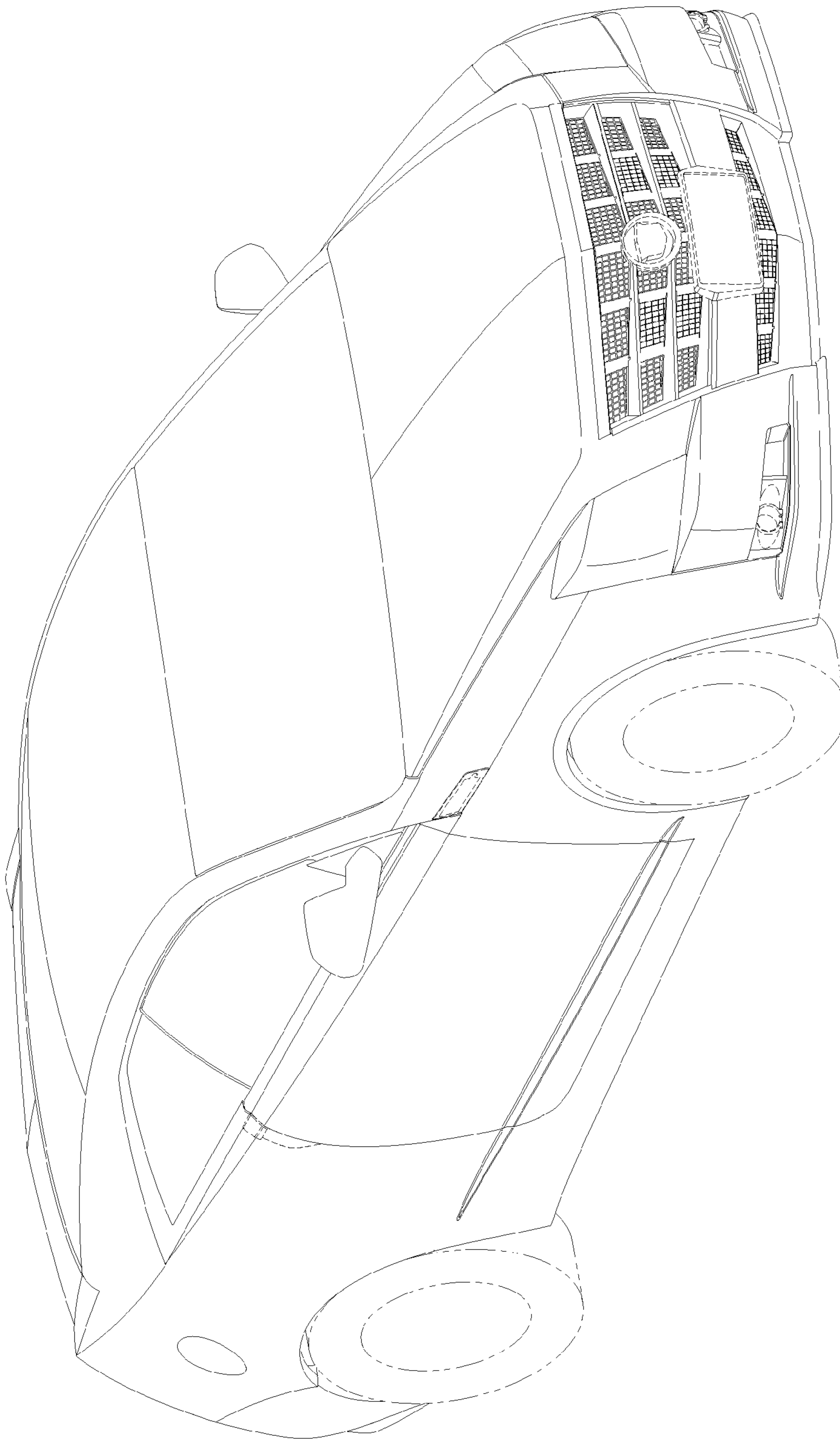


Fig-1

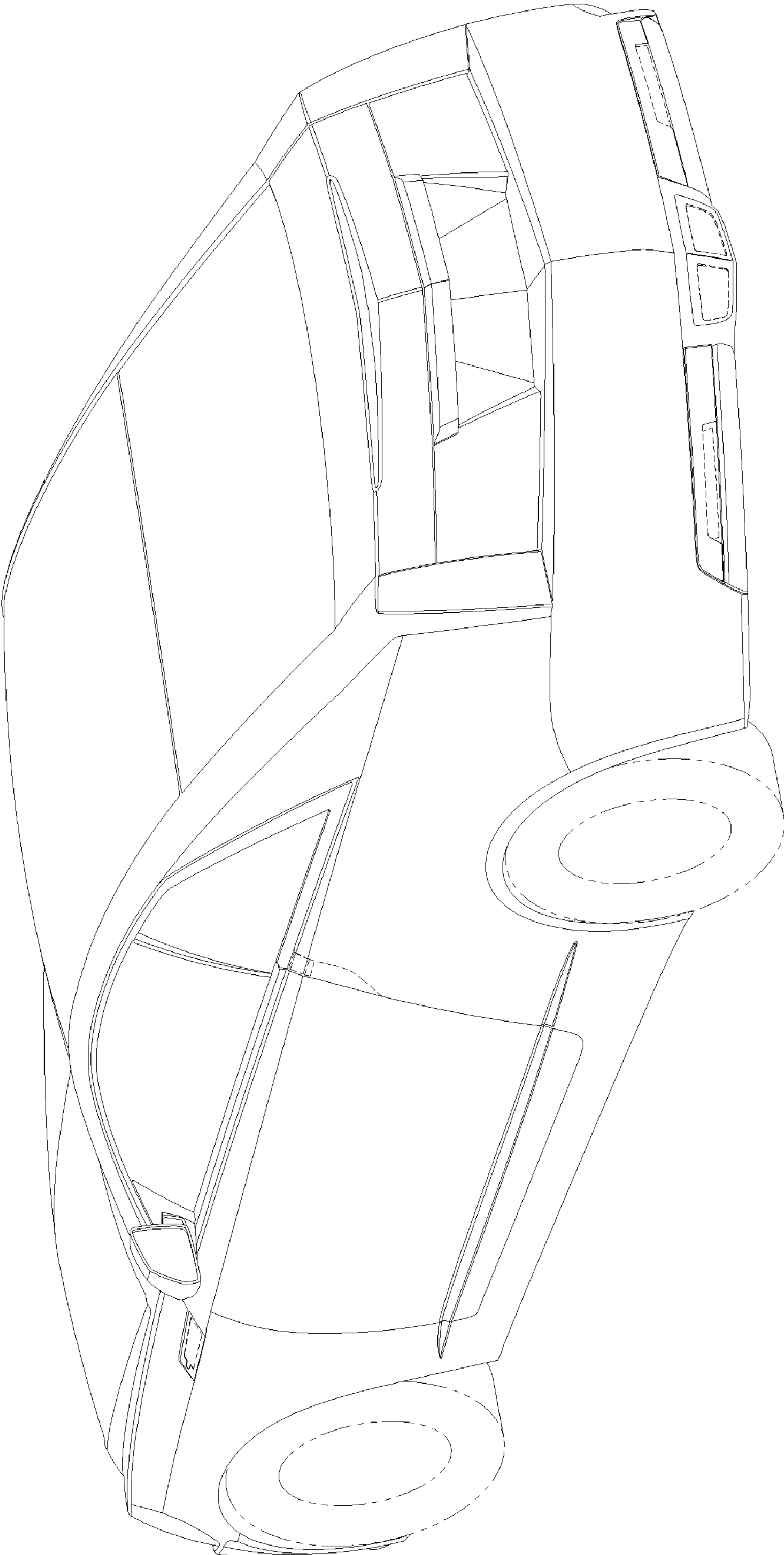


Fig-2

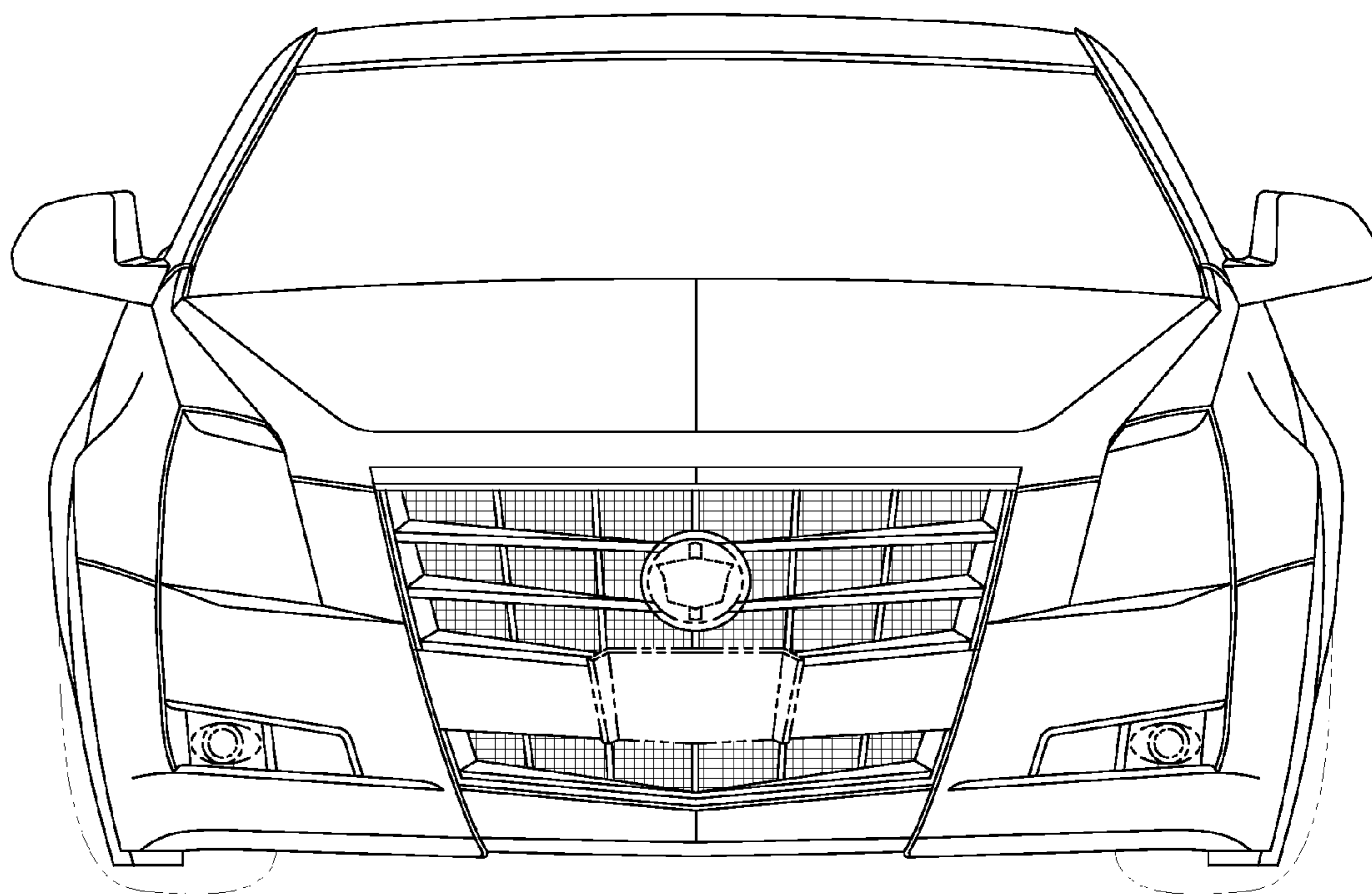


Fig-3

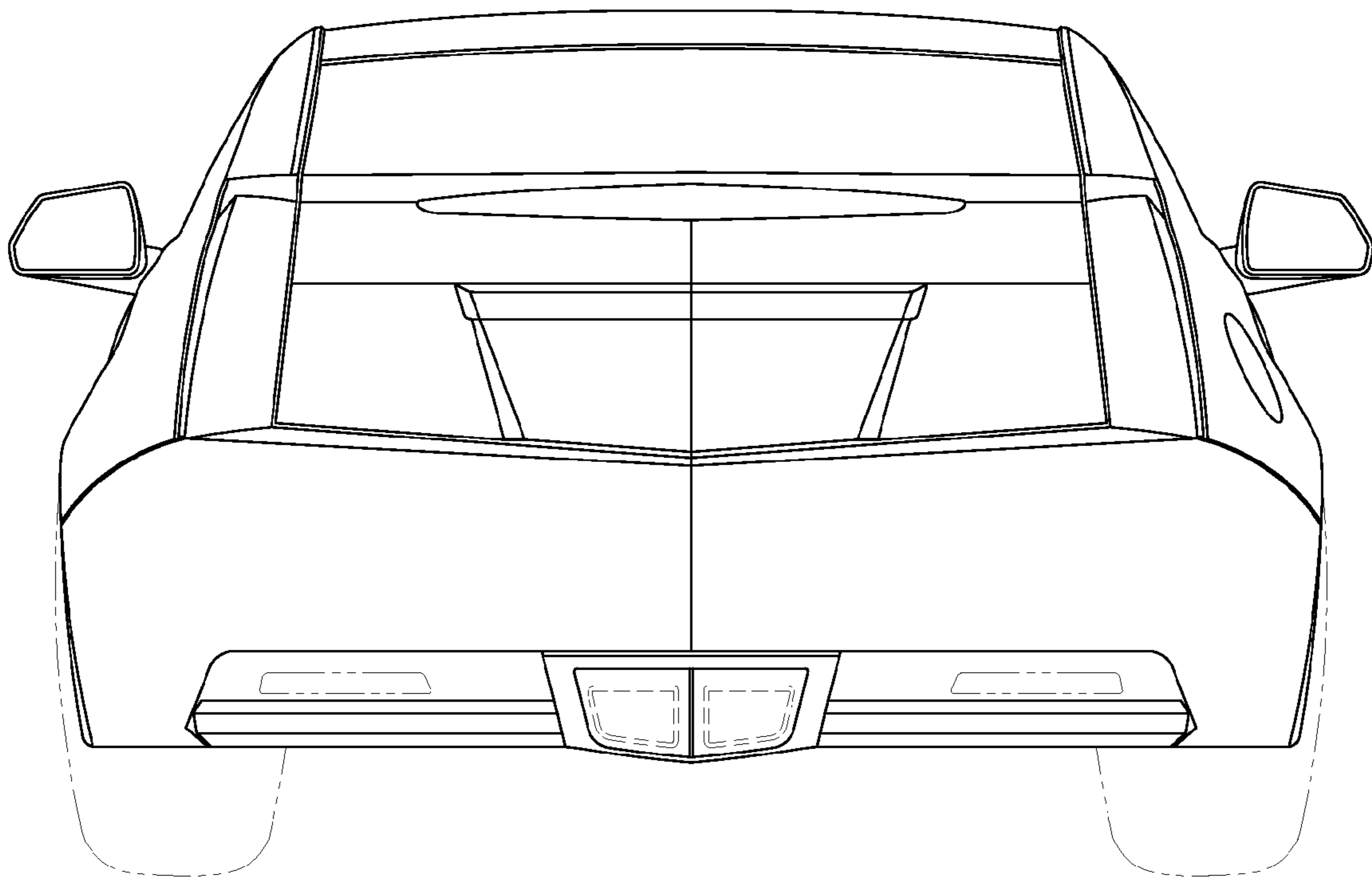


Fig-4

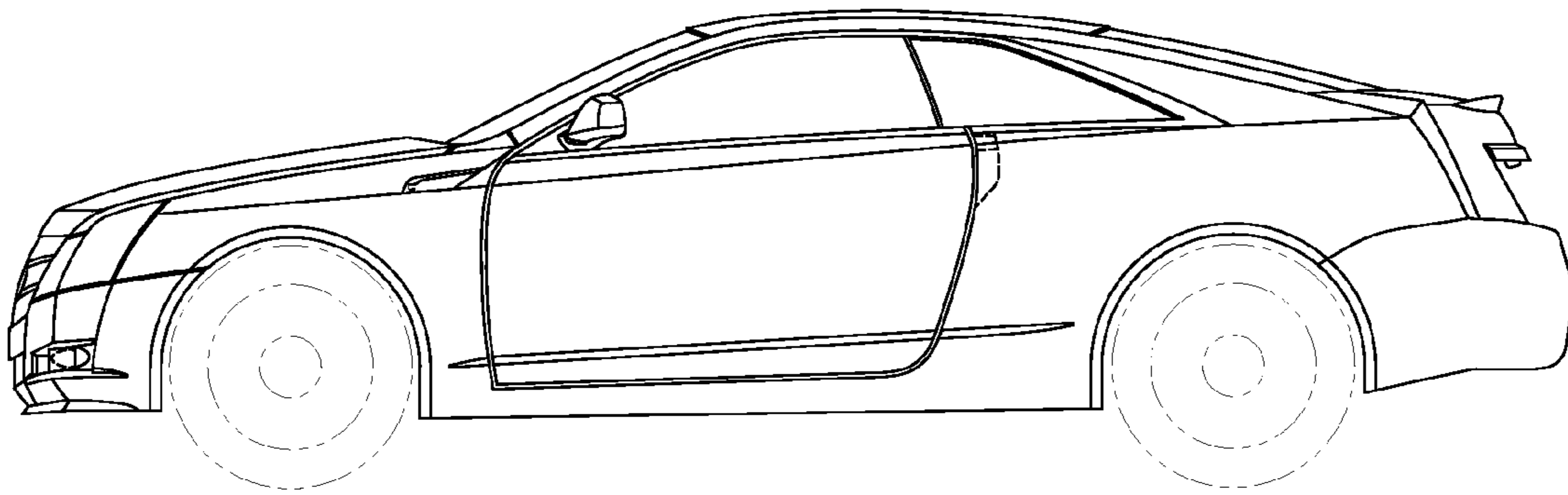


Fig-5

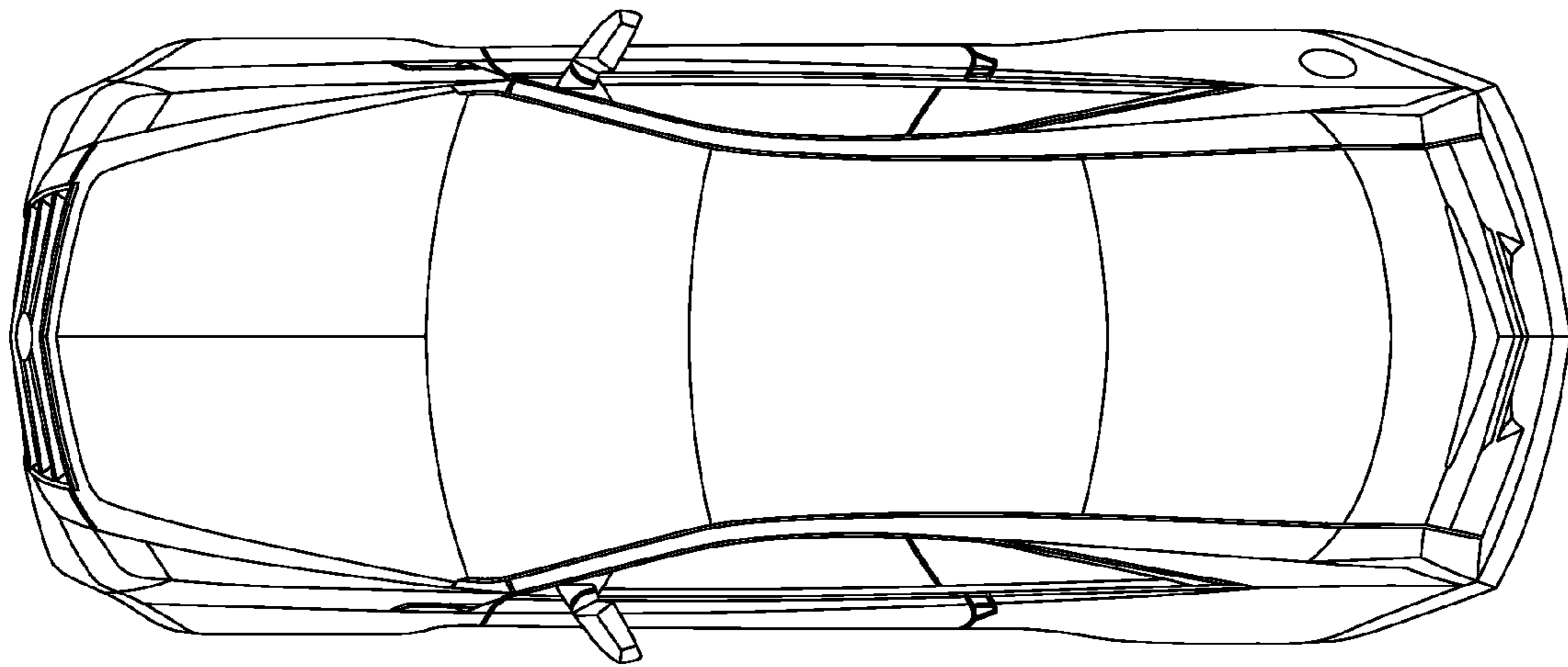


Fig-6