



US00D605077S

(12) **United States Design Patent**  
**Yang**

(10) **Patent No.:** **US D605,077 S**

(45) **Date of Patent:** **\*\* Dec. 1, 2009**

(54) **GARMENT FASTENER WITH A SURFACE PATTERN**

(75) Inventor: **Shih-Sheng Yang**, Taipei Hsien (TW)

(73) Assignee: **Universal Trim Supply Co., Ltd.**,  
Taipei Hsien (TW)

(\*\*) Term: **14 Years**

(21) Appl. No.: **29/327,715**

(22) Filed: **Nov. 12, 2008**

(51) **LOC (9) Cl.** ..... **02-07**

(52) **U.S. Cl.** ..... **D11/216**

(58) **Field of Classification Search** ..... D11/1-2,  
D11/200-201, 203-206, 210, 212, 214-219,  
D11/222, 224, 226, 202; 24/163 R, 169-171,  
24/173, 177-179, 191, 194-195, 197, 200;  
D5/2-7, 12, 56, 59-62, 99

See application file for complete search history.

(56) **References Cited**

**U.S. PATENT DOCUMENTS**

D88,646 S \* 12/1932 Grulich ..... D5/4

D115,613 S \* 7/1939 Craighead ..... D11/202

2,214,030 A \* 9/1940 Pereles ..... 40/315  
D232,596 S \* 8/1974 Krusinski ..... D5/59  
4,926,527 A \* 5/1990 Sekiguchi ..... 24/66.11  
D326,434 S \* 5/1992 Levy ..... D11/222  
D362,412 S \* 9/1995 Westover et al. .... D11/202  
D380,418 S \* 7/1997 Michael ..... D11/222  
D521,411 S \* 5/2006 Moeller et al. .... D11/216  
D537,382 S \* 2/2007 Yang ..... D11/216  
D582,164 S \* 12/2008 Mark et al. .... D5/59

\* cited by examiner

*Primary Examiner*—R. Seifert

(74) *Attorney, Agent, or Firm*—Leong C. Lei

(57) **CLAIM**

The ornamental design for a garment fastener with a surface pattern, as shown and described.

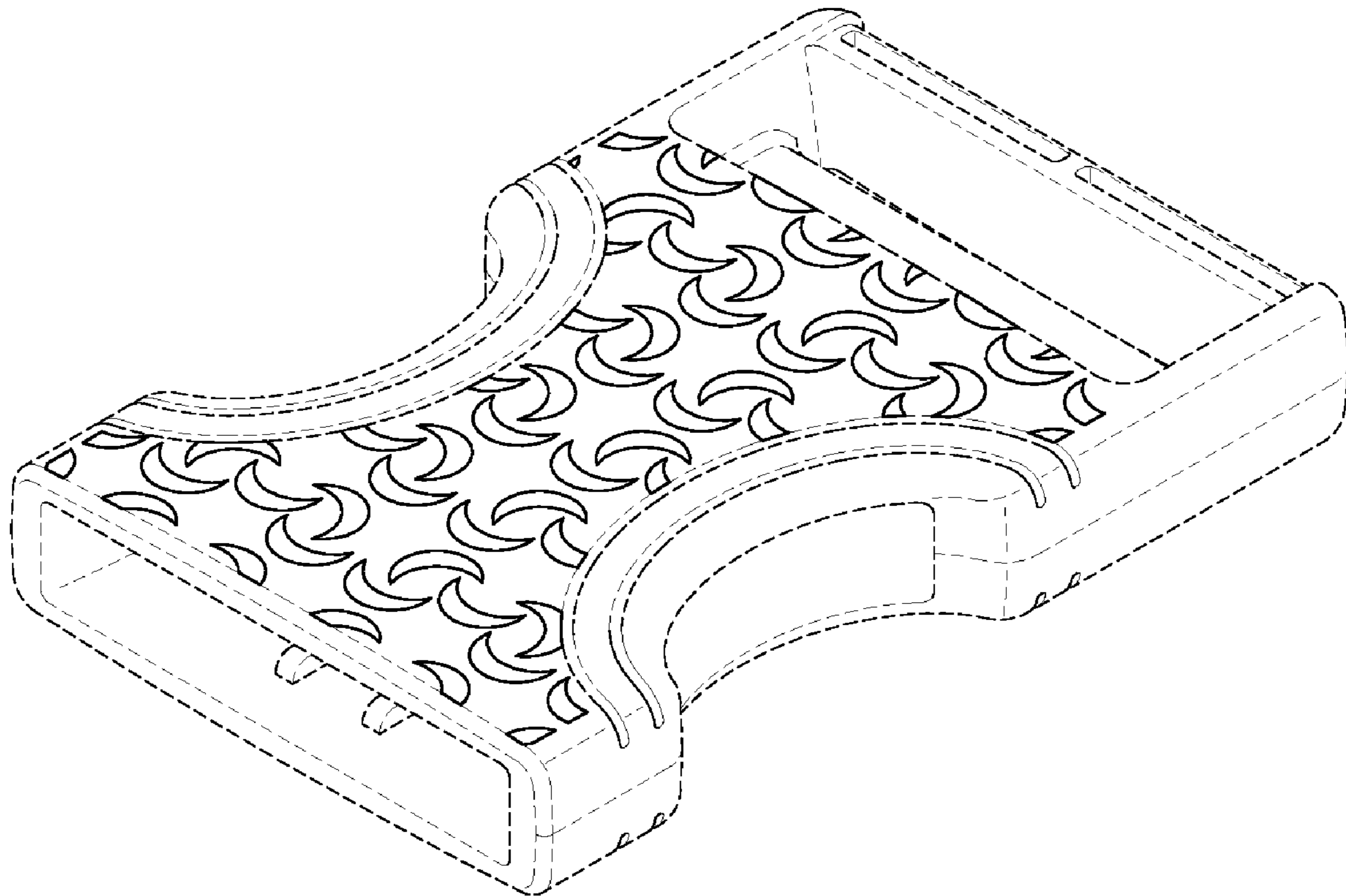
**DESCRIPTION**

FIG. 1 is a front elevational view of a garment fastener with a surface pattern showing my new design; and,

FIG. 2 is a front perspective view.

The dotted line showing of a garment fastener with a surface pattern is for illustrative purposes only and forms no part of the claimed design.

**1 Claim, 1 Drawing Sheet**



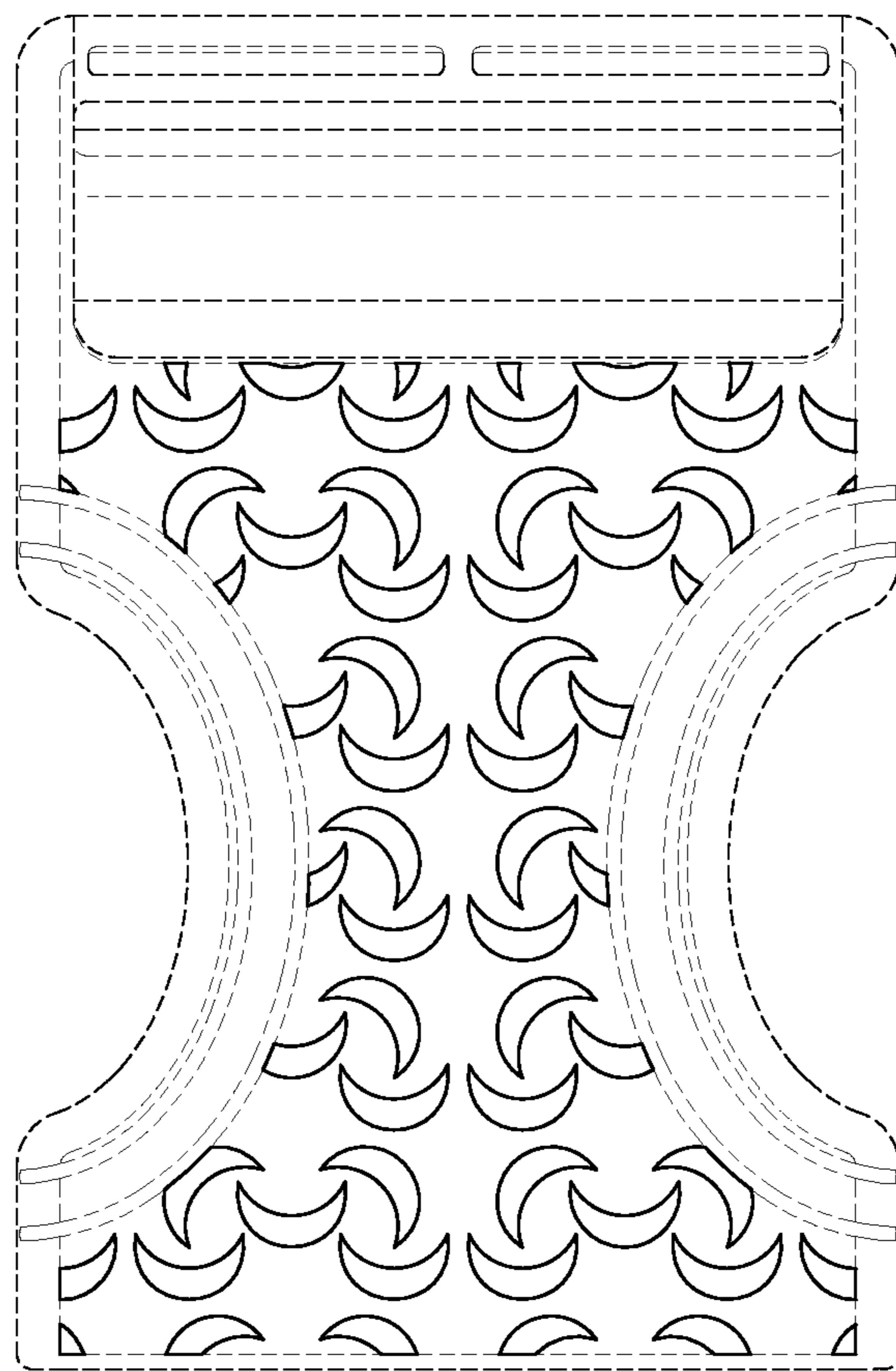


FIG. 1

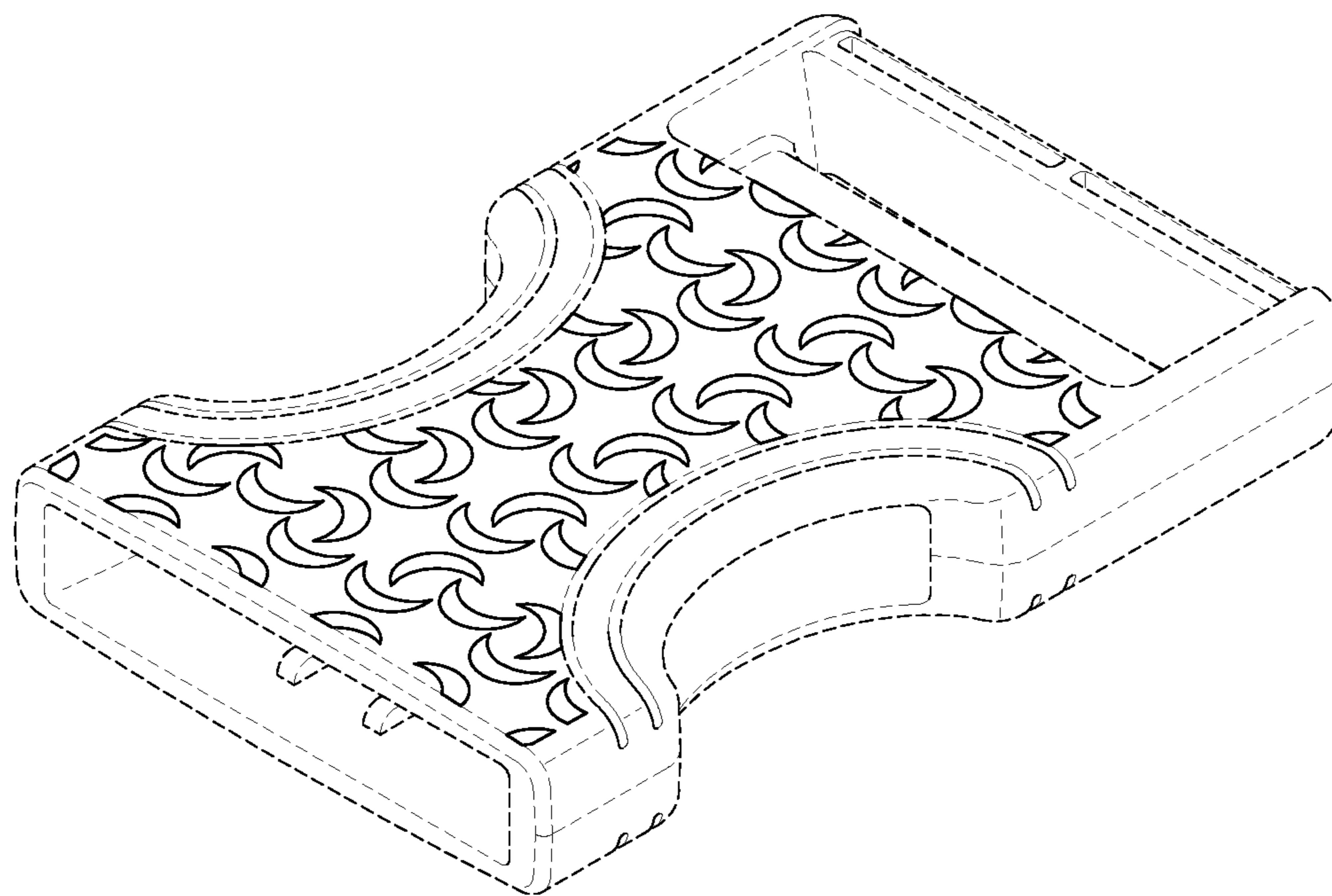


FIG. 2