

US00D605076S

(12) **United States Design Patent**
Yang

(10) **Patent No.:** **US D605,076 S**
(45) **Date of Patent:** **** Dec. 1, 2009**

(54) **GARMENT FASTENER WITH A SURFACE PATTERN**

(75) Inventor: **Shih-Sheng Yang**, Taipei Hsien (TW)

(73) Assignee: **Universal Trim Supply Co., Ltd.**,
Taipei Hsien (TW)

(**) Term: **14 Years**

(21) Appl. No.: **29/327,714**

(22) Filed: **Nov. 12, 2008**

(51) **LOC (9) Cl.** **02-07**

(52) **U.S. Cl.** **D11/216**

(58) **Field of Classification Search** D11/1-2,
D11/200-201, 203-206, 210, 212, 214-219,
D11/222, 224, 226, 202; 24/163 R, 169-171,
24/173, 177-179, 191, 194-195, 197, 200;
D5/2-7, 12, 56, 59-62, 99

See application file for complete search history.

(56) **References Cited**

U.S. PATENT DOCUMENTS

- D36,460 S * 7/1903 Henry D6/582
- D67,146 S * 4/1925 Kagan D5/60
- D78,481 S * 5/1929 Ritter D5/59

- D115,613 S * 7/1939 Craighead D11/202
- 2,214,030 A * 9/1940 Pereles 40/315
- D296,286 S * 6/1988 Fees D6/617
- 4,926,527 A * 5/1990 Sekiguchi 24/66.11
- D326,434 S * 5/1992 Levy D11/222
- D362,412 S * 9/1995 Westover et al. D11/202
- D380,418 S * 7/1997 Michael D11/222
- D521,411 S * 5/2006 Moeller et al. D11/216
- D537,382 S * 2/2007 Yang D11/216

* cited by examiner

Primary Examiner—R. Seifert

(74) *Attorney, Agent, or Firm*—Leong C. Lei

(57) **CLAIM**

The ornamental design for a garment fastener with a surface pattern, as shown and described.

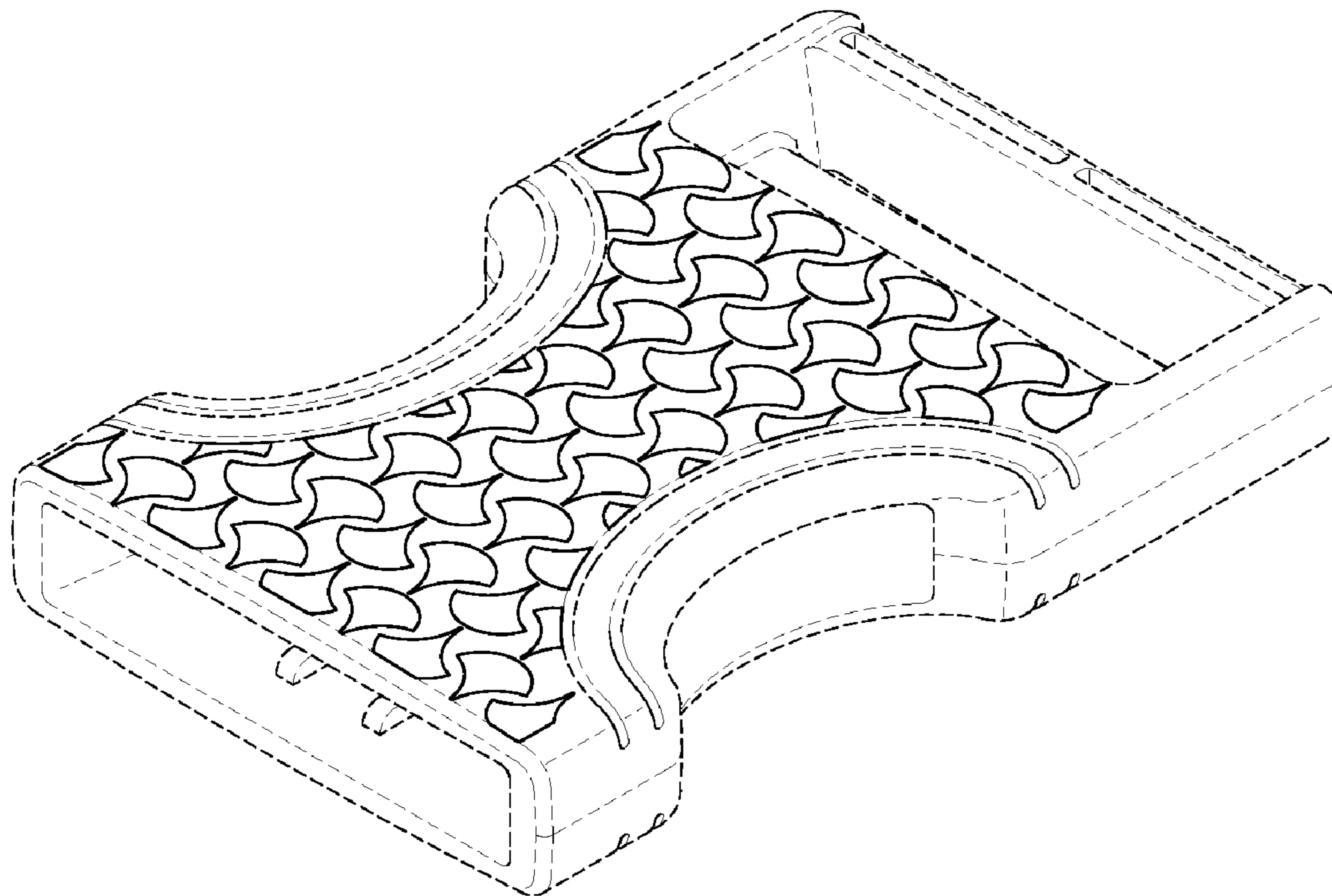
DESCRIPTION

FIG. 1 is a front elevational view of a garment fastener with a surface pattern showing my new design; and,

FIG. 2 is a front perspective view.

The dotted line showing of the pattern for garment fasteners is for illustrative purposes only and forms no part of the claimed design.

1 Claim, 1 Drawing Sheet



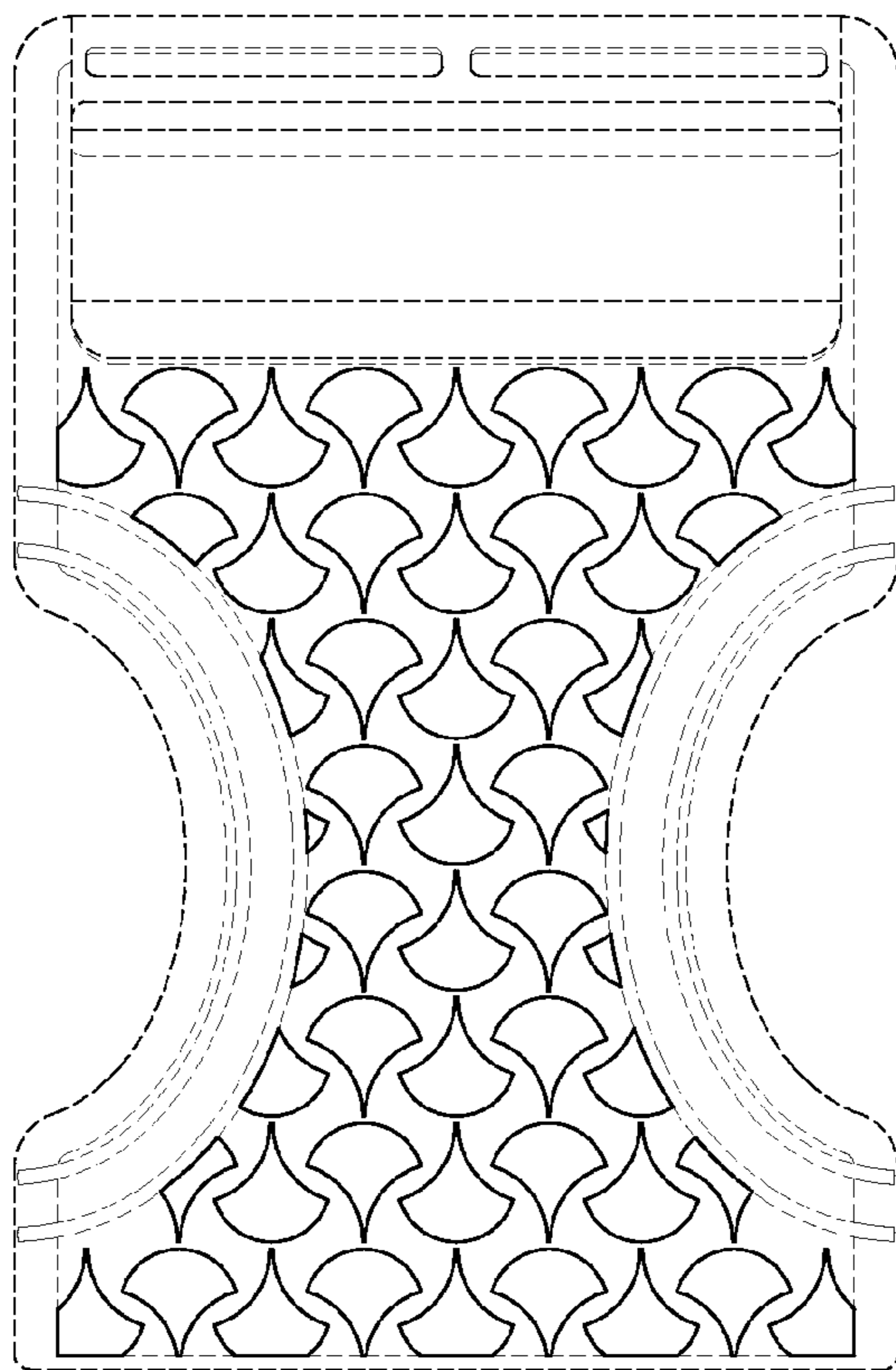


FIG. 1

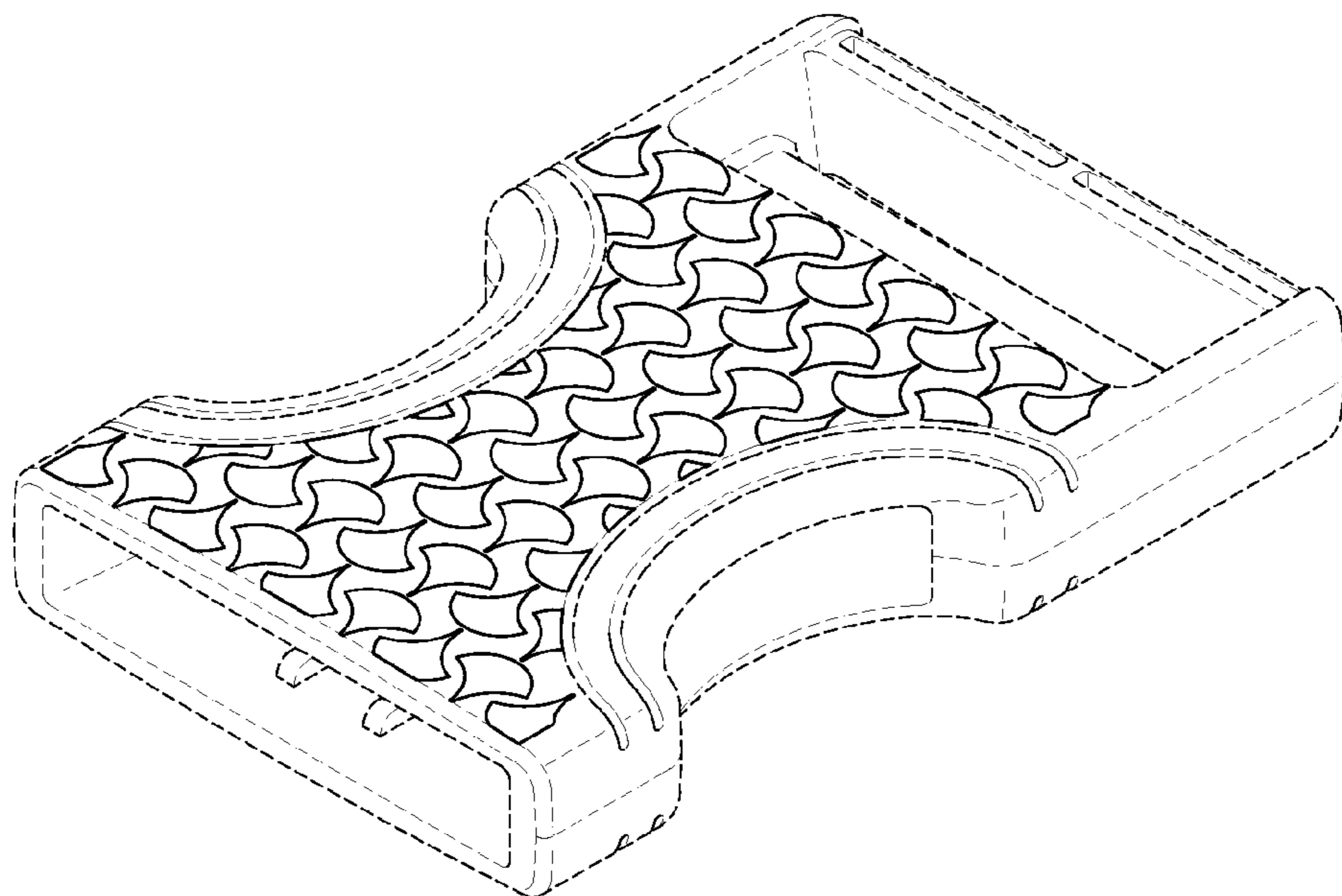


FIG. 2