



US00D605073S

(12) **United States Design Patent**
Clores et al.

(10) **Patent No.:** **US D605,073 S**

(45) **Date of Patent:** **** *Dec. 1, 2009**

(54) **TREE STAND**

(76) Inventors: **Edgardo Clores**, 8063 Lyell Mountain Ct., Las Vegas, NV (US) 89120; **Hiuel J. Ceria**, 8063 Lyell Mountain Ct., Las Vegas, NV (US) 89120

D354,930 S * 1/1995 Rush et al. D11/130.1
5,845,890 A * 12/1998 Earsley et al. 248/516
5,938,168 A * 8/1999 Adams 248/523
5,987,813 A * 11/1999 Lasko 47/40.5
D450,621 S * 11/2001 Boucher D11/130.1
D497,832 S * 11/2004 Glover D11/130.1

(*) Notice: This patent is subject to a terminal disclaimer.

* cited by examiner

(**) Term: **14 Years**

Primary Examiner—Stella M. Reid

Assistant Examiner—Elizabeth J Oswecki

(21) Appl. No.: **29/264,316**

(74) *Attorney, Agent, or Firm*—Jeffrey Weiss; Jeffrey D. Moy; Weiss & Moy, P.C.

(22) Filed: **Aug. 8, 2006**

(57) **CLAIM**

(51) **LOC (9) Cl.** **06-99**

The ornamental design for a tree stand, as shown and described.

(52) **U.S. Cl.** **D11/130.1; D11/130**

(58) **Field of Classification Search** D11/117,
D11/118, 119, 120, 121, 122, 123, 124, 125,
D11/126, 127, 128, 129, 130, 130.1, 184;
D21/398, 400; 206/389, 423; 428/7, 9, 12
See application file for complete search history.

DESCRIPTION

FIG. 1 is a top perspective view of a tree stand showing our new design;

FIG. 2 is a top plan view thereof; and,

FIG. 3 is a top side perspective view thereof, with a tree being shown in broken lines for illustrative purposes only and forming no part of the claimed design.

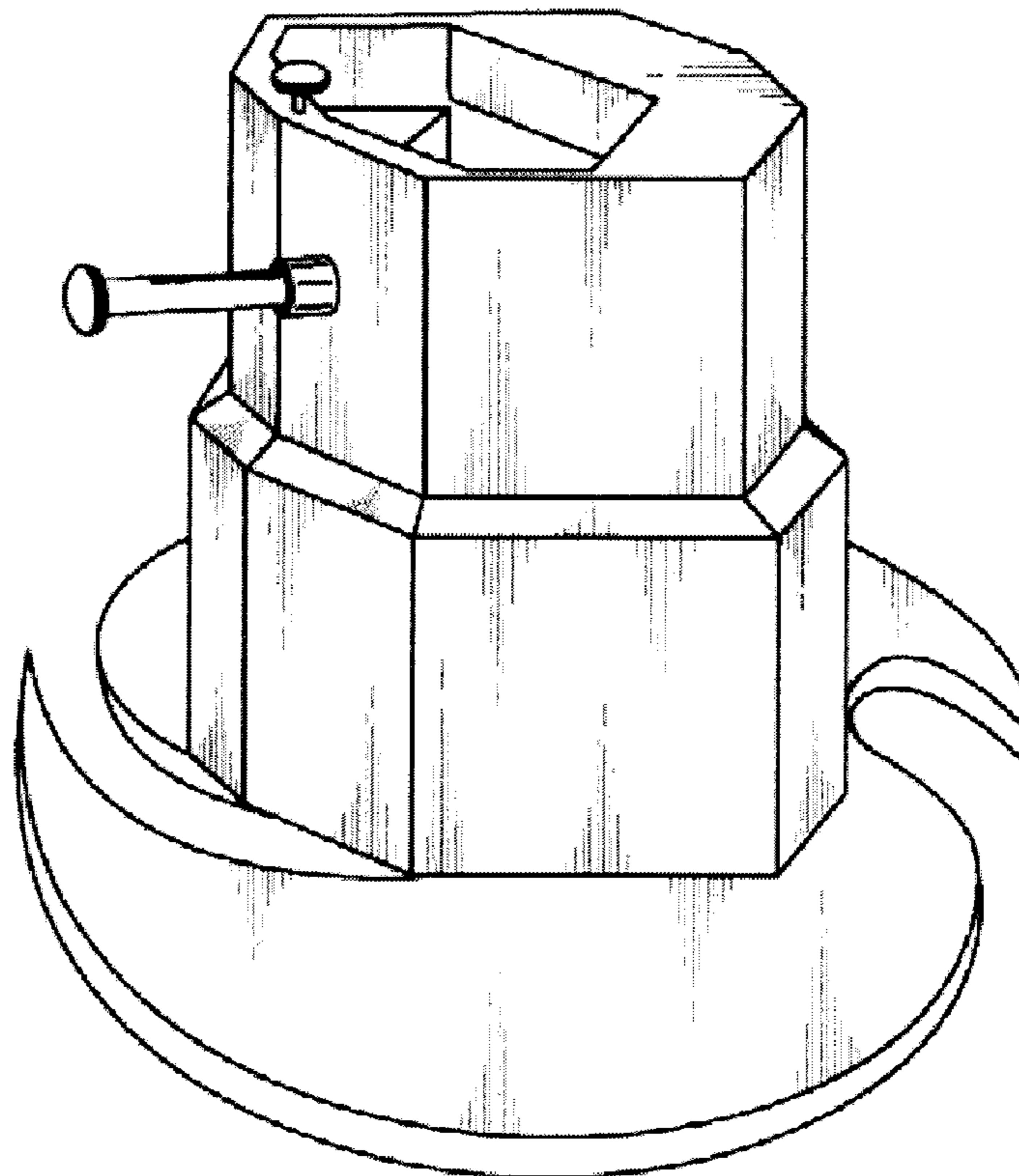
(56) **References Cited**

U.S. PATENT DOCUMENTS

D307,729 S * 5/1990 Zonni D11/130.1
D321,839 S * 11/1991 Rosato D11/130.1
5,137,246 A 8/1992 Idso
D330,346 S * 10/1992 Bryand D11/130.1

Those portions of the design that are not shown form no part of the claimed design and are disclaimed.

1 Claim, 2 Drawing Sheets



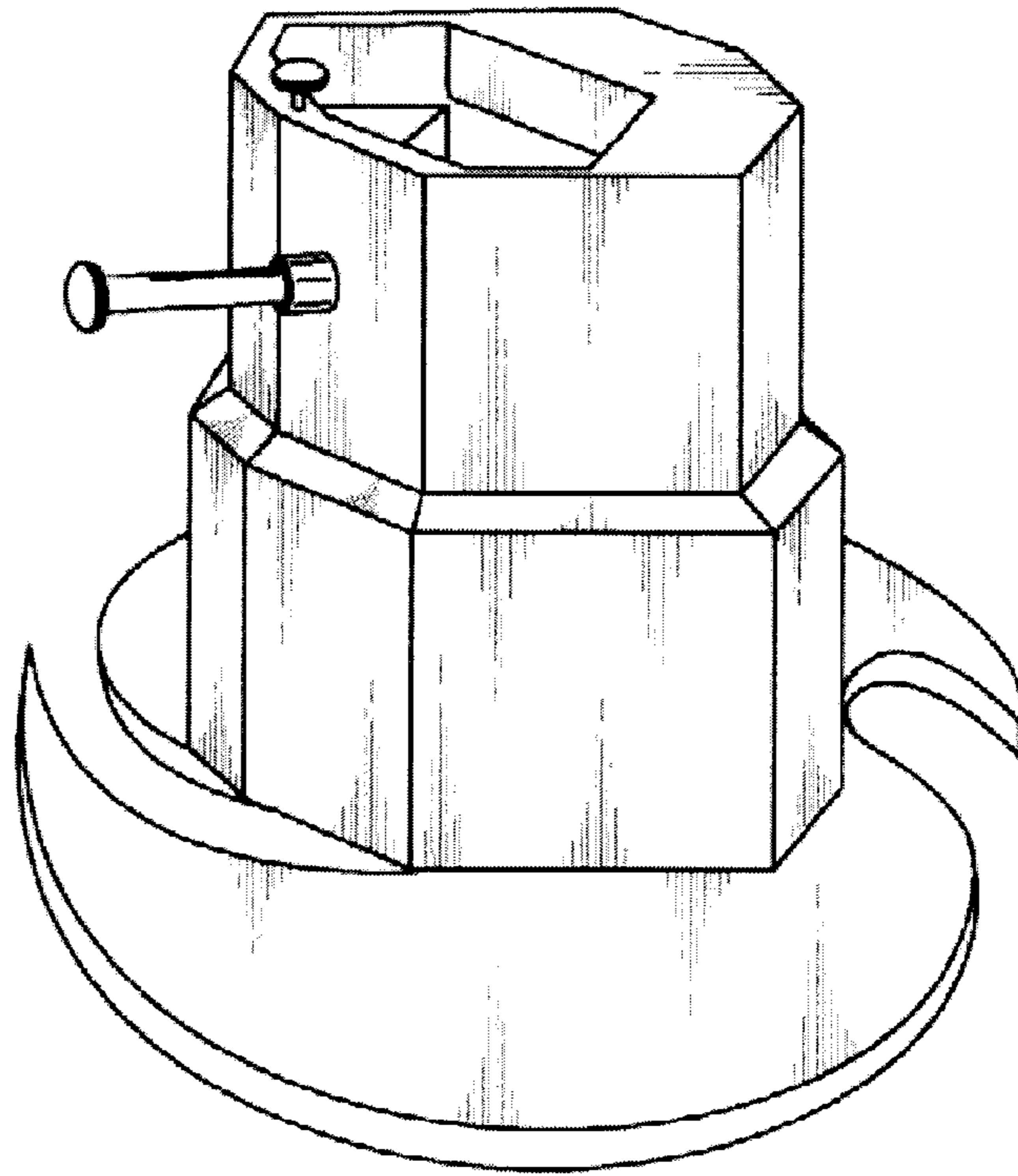


Fig. 1

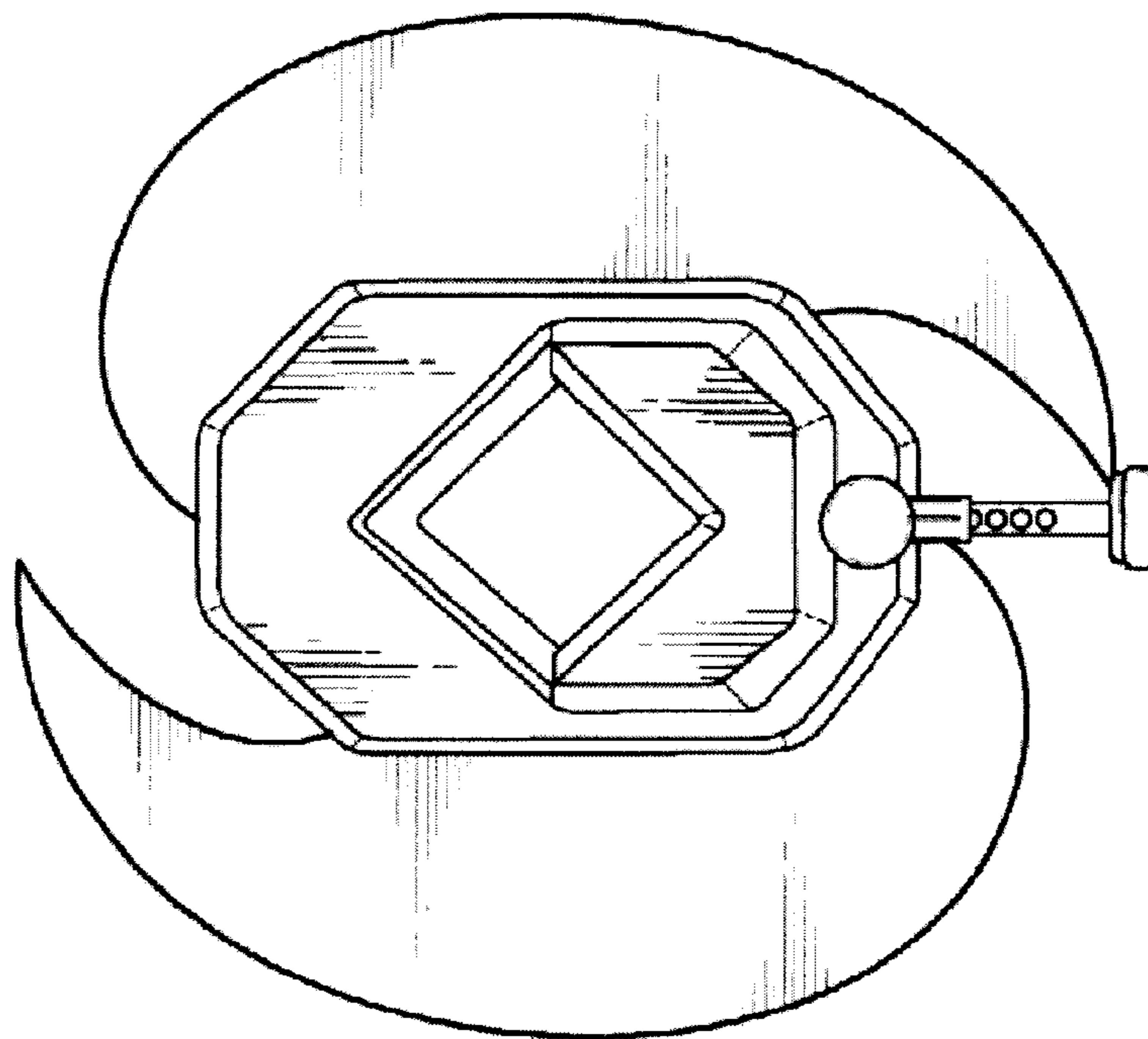


Fig. 2

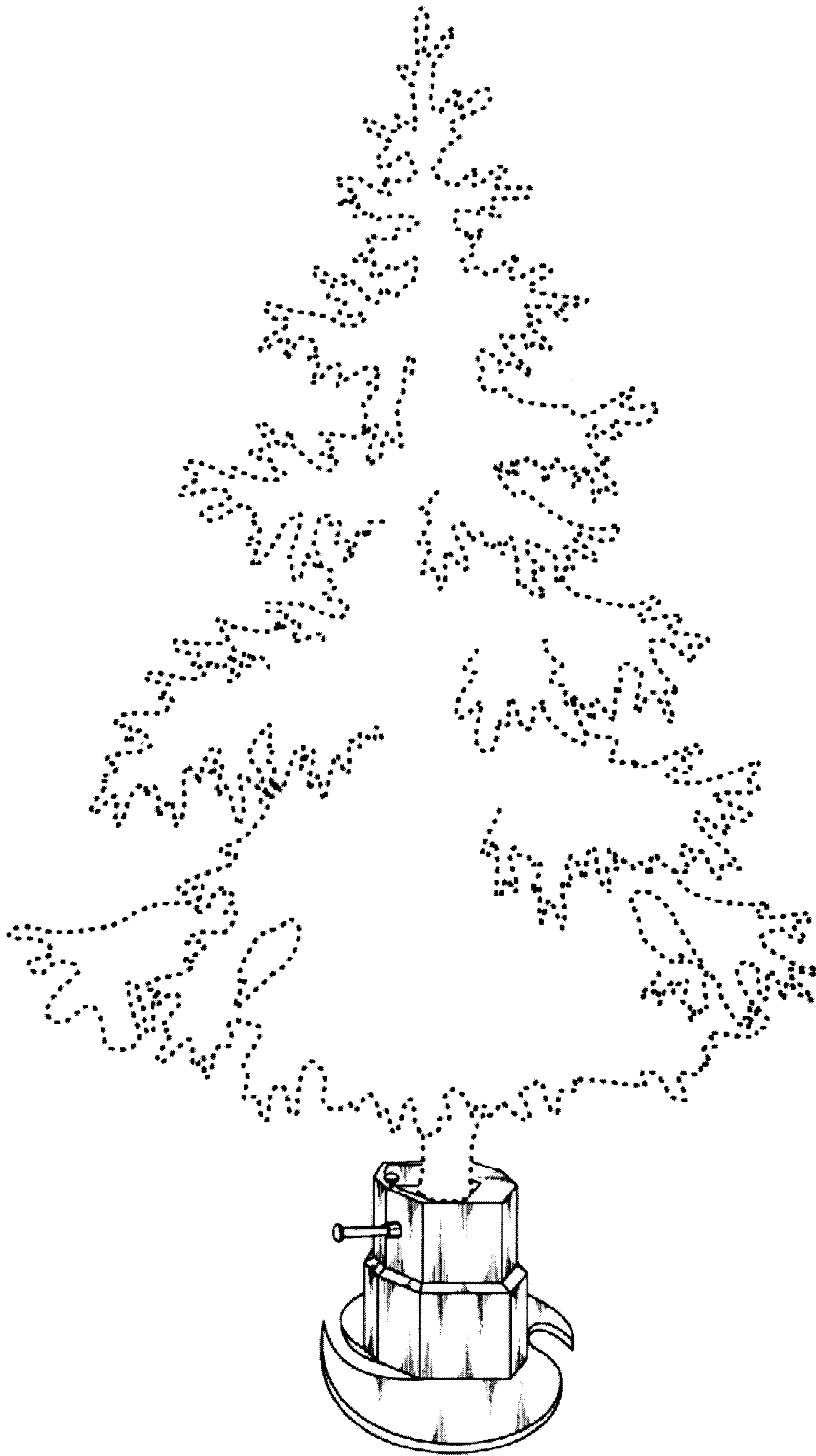


Fig. 3