



US00D605070S

(12) **United States Design Patent**
Taylor

(10) **Patent No.:** **US D605,070 S**

(45) **Date of Patent:** **** Dec. 1, 2009**

(54) **JEWELRY BRACELET**

(57) **CLAIM**

(76) **Inventor:** **Patricia C. Taylor**, 1821 Long Prairie Rd., Allen, TX (US) 75013

The ornamental design for a jewelry bracelet, as shown and described.

(**) **Term:** **14 Years**

DESCRIPTION

(21) **Appl. No.:** **29/332,265**

FIG. 1 is a perspective view of the jewelry bracelet showing my new design;

(22) **Filed:** **Feb. 12, 2009**

FIGS. 2–5 are enlarged views thereof;

(51) **LOC (9) Cl.** **11-01**

FIG. 6 is a front elevation view of the jewelry bracelet;

(52) **U.S. Cl.** **D11/6**

FIGS. 7–10 are enlarged views of the front elevation view;

(58) **Field of Classification Search** D11/1–26,

FIG. 11 is a rear elevation view of the jewelry bracelet;

D11/93, 94; 63/1.11, 3.1, 3, 3.2, 5.1, 5.2,

FIGS. 12–15 are enlarged views of the rear elevation view;

63/7–11; 59/79.2, 78; D10/32, 33

FIG. 16 is a left side elevation view of the jewelry bracelet;

See application file for complete search history.

FIG. 17 is a right side elevation view thereof;

(56) **References Cited**

FIG. 18 is a bottom plan view thereof;

U.S. PATENT DOCUMENTS

FIGS. 19–22 are enlarged views of the bottom plan view;

D340,879 S * 11/1993 French D11/6

FIG. 23 is a top plan view of the jewelry bracelet;

D452,662 S * 1/2002 Connelly D11/3

FIGS. 24–27 are enlarged views of the top plan view;

D455,083 S * 4/2002 Wieck D10/32

FIG. 28 is an additional perspective view of the jewelry bracelet; and,

D502,661 S * 3/2005 Rapport D11/3

FIGS. 29–32 are enlarged views of the additional perspective view.

D502,662 S * 3/2005 Rapport D11/3

D503,646 S * 4/2005 Rapport D11/3

* cited by examiner

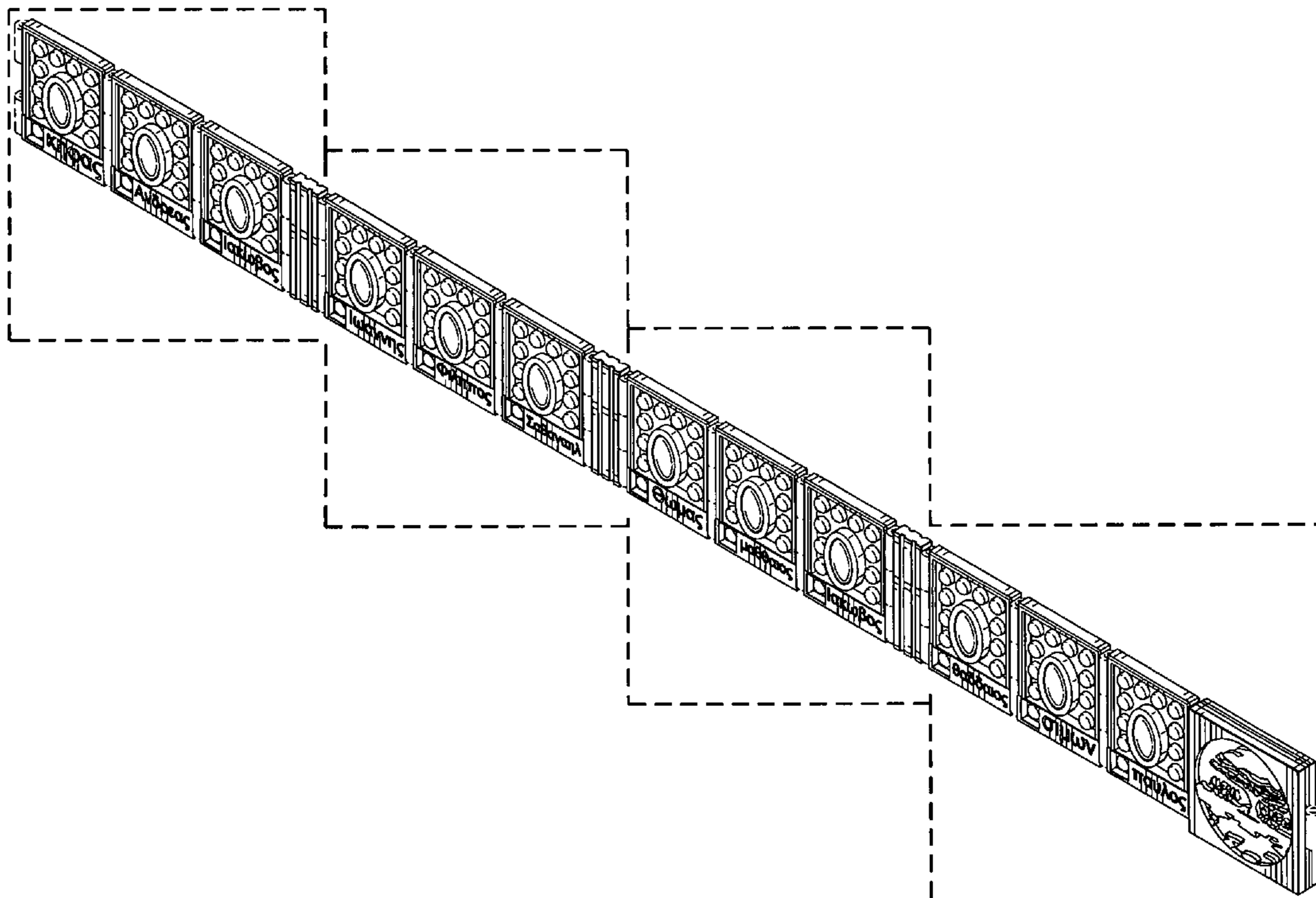
Any broken line illustration of environmental structure in the drawings is not part of the design sought to be patented.

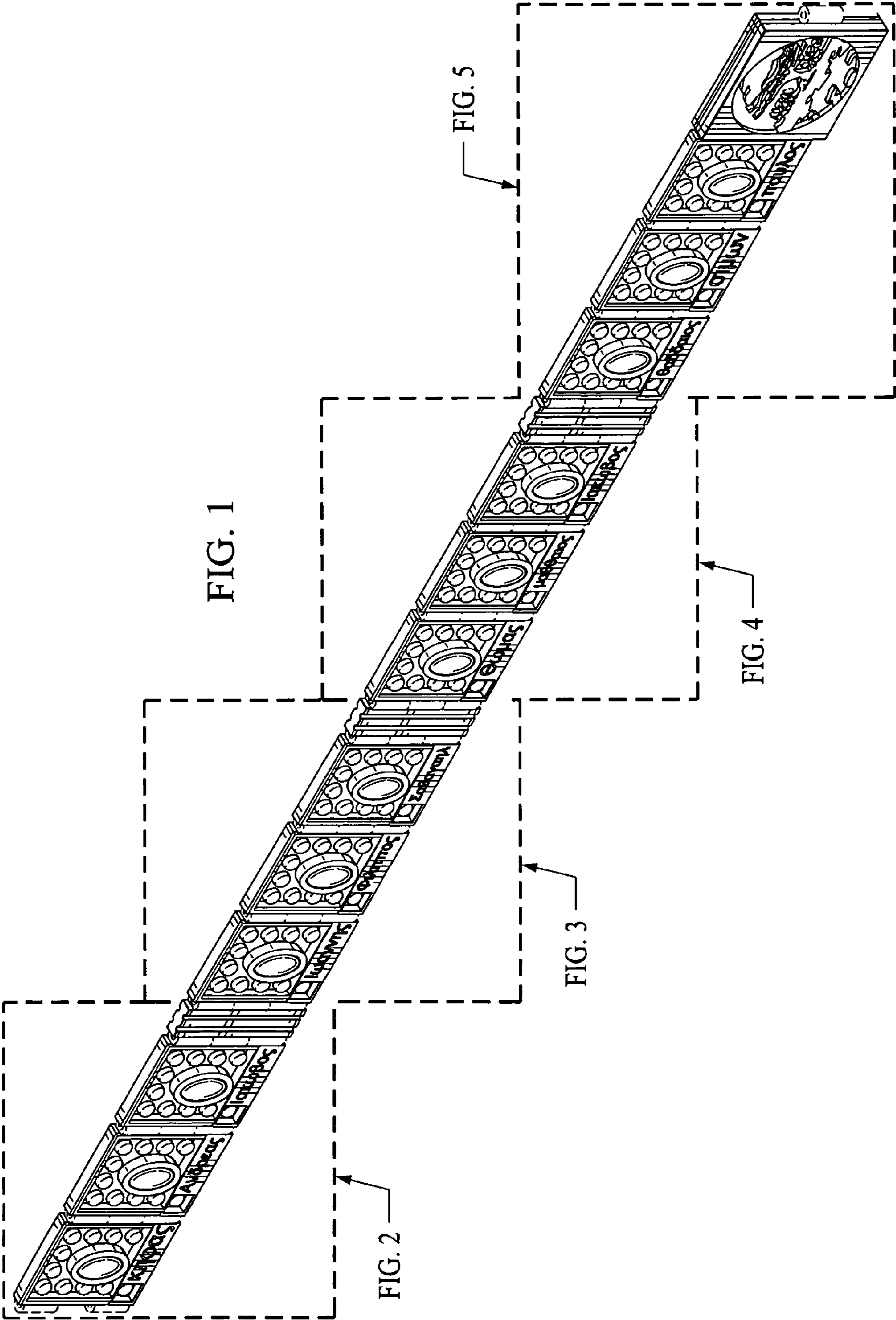
Primary Examiner—Cathron C Brooks

Assistant Examiner—Melanie Levy

(74) *Attorney, Agent, or Firm*—Adam A. Biggs

1 Claim, 11 Drawing Sheets





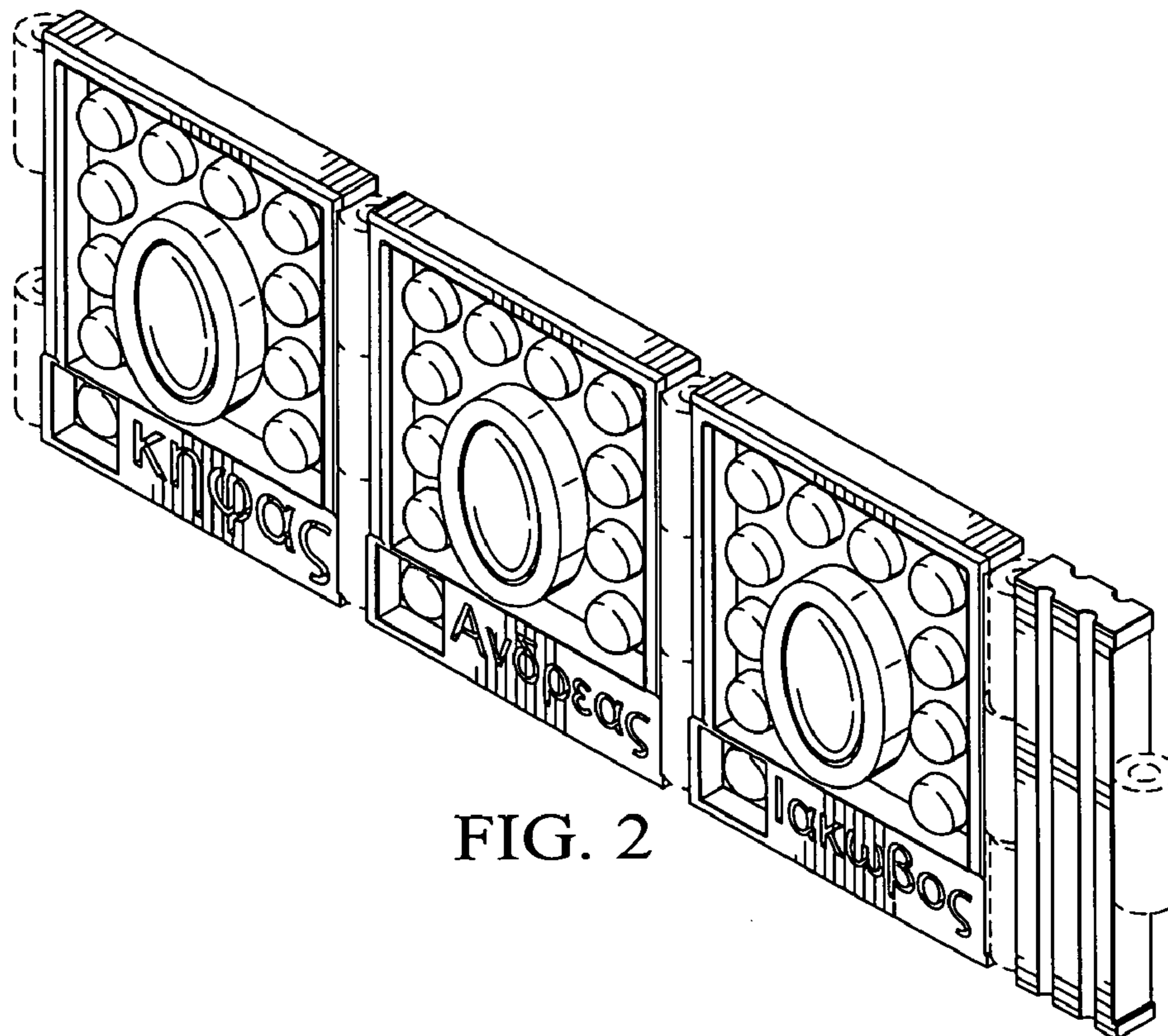


FIG. 2

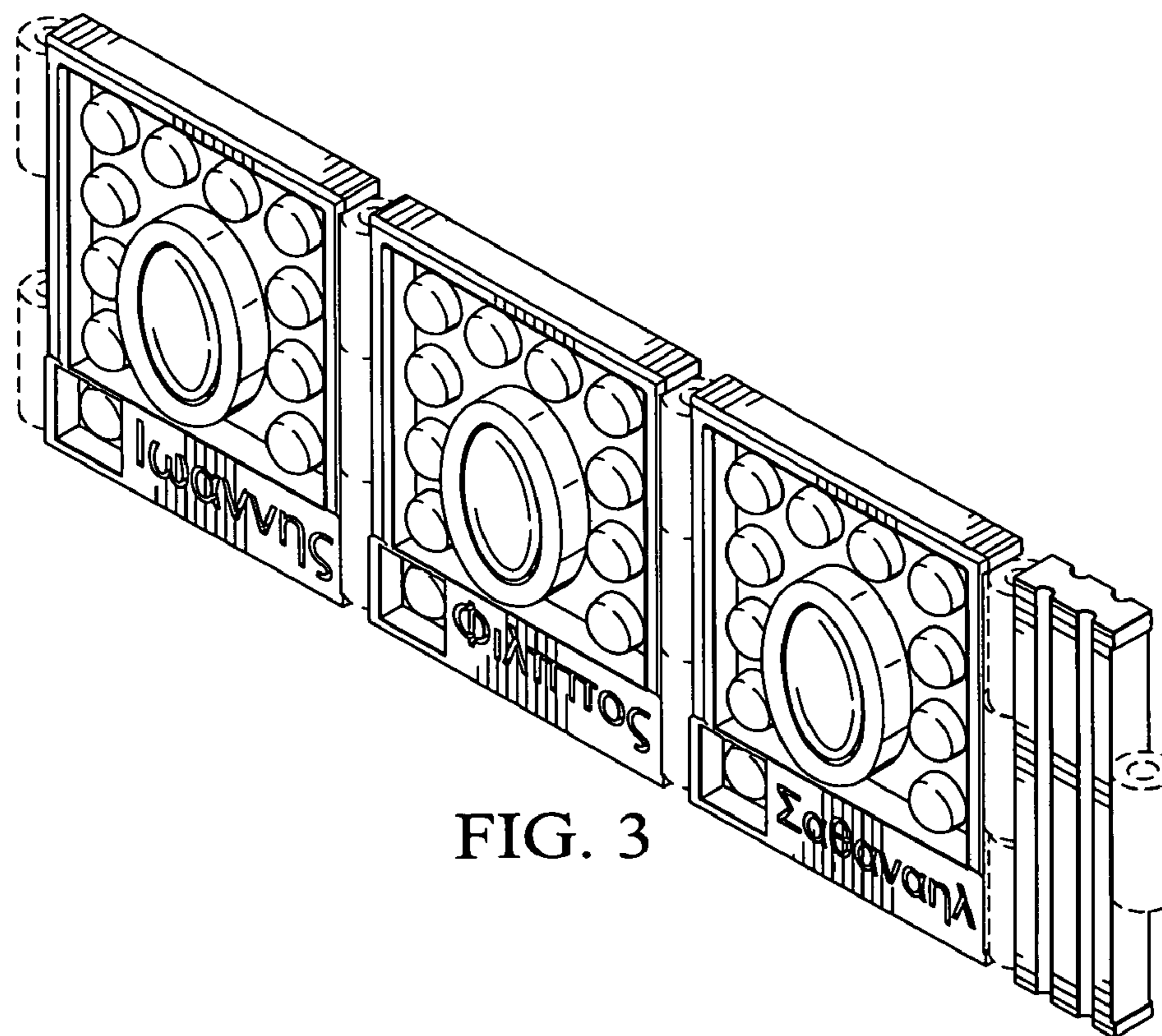
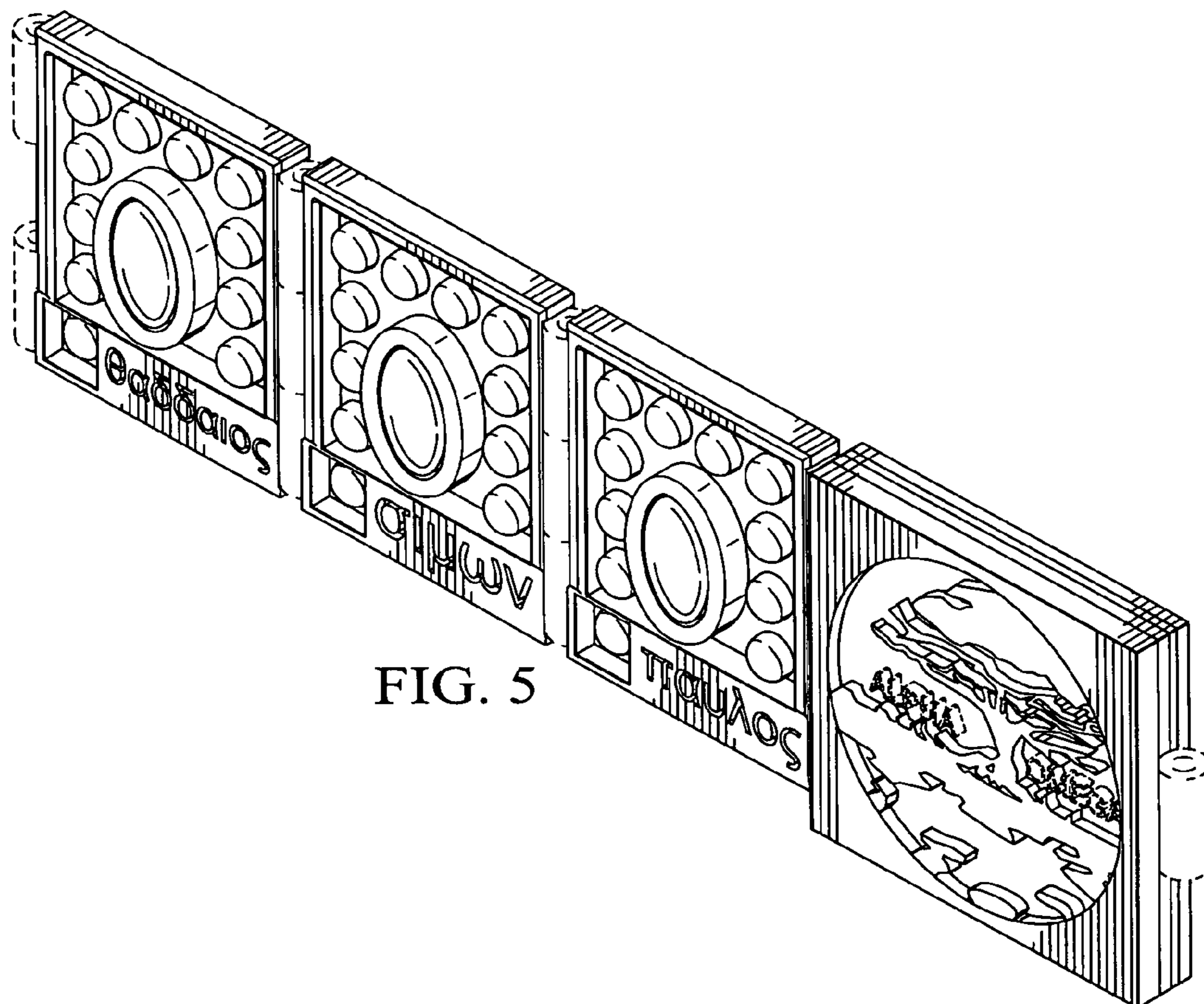
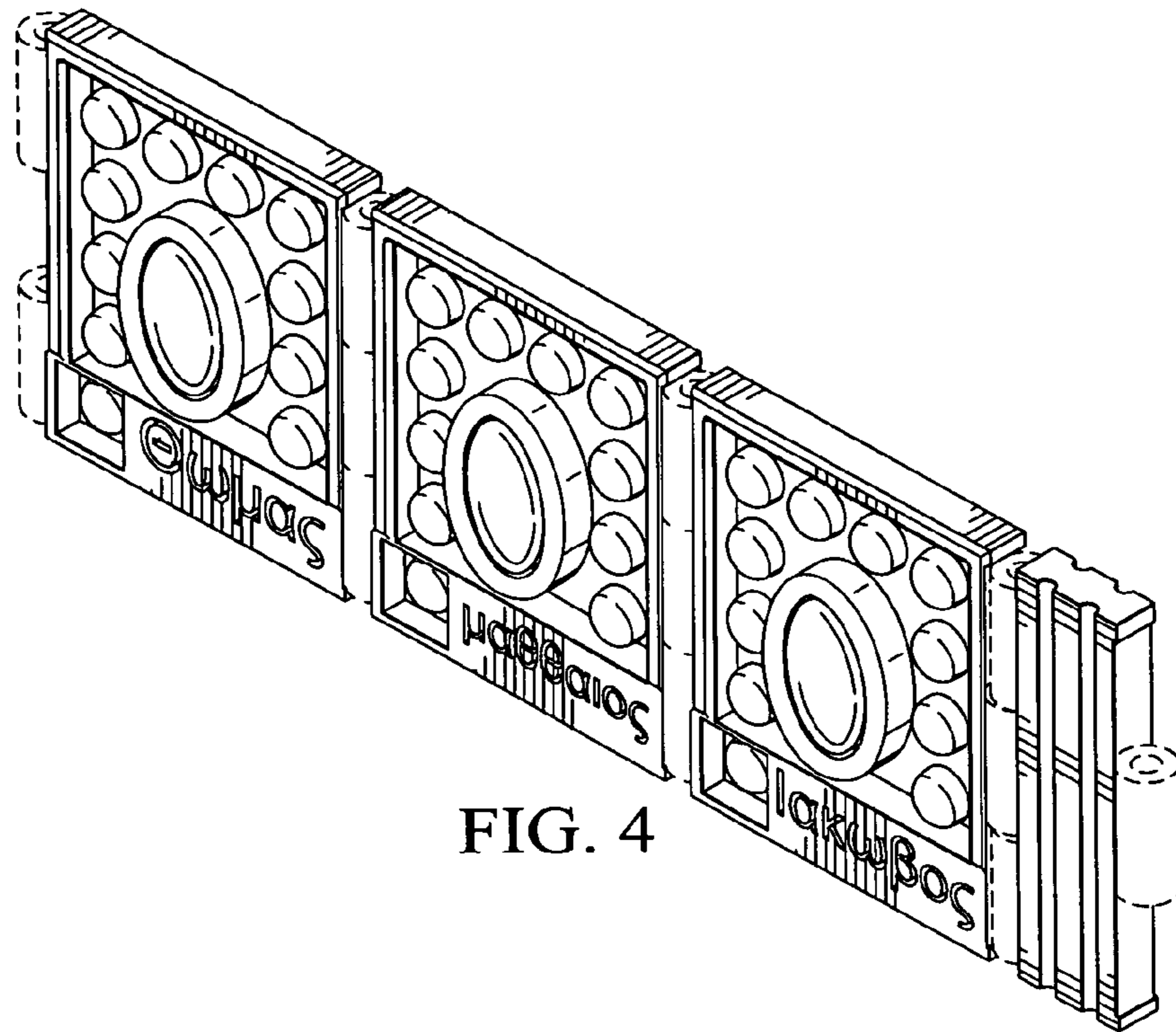


FIG. 3



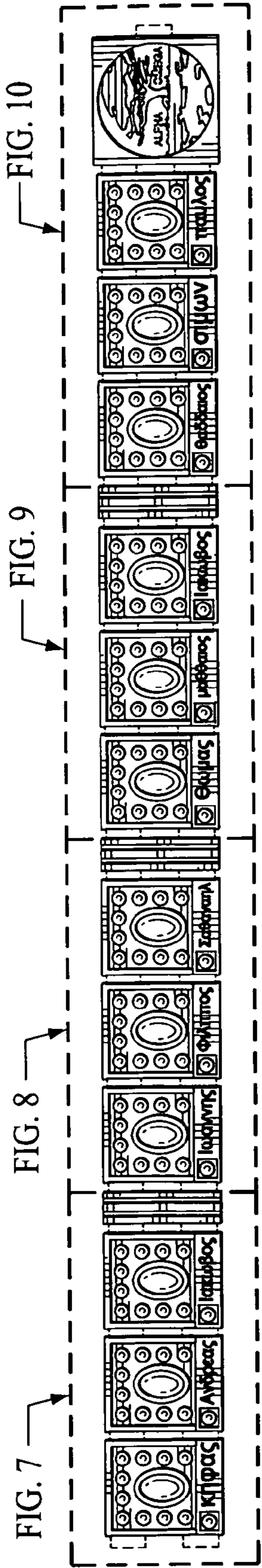


FIG. 6

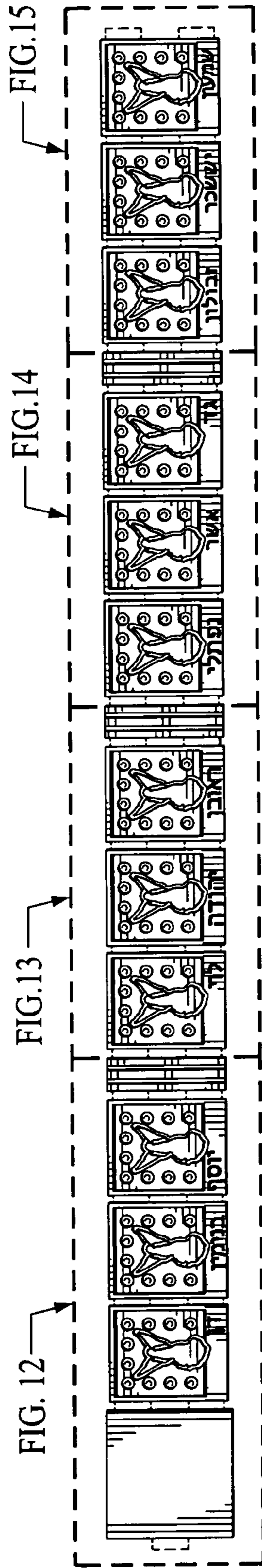


FIG. 11

FIG. 7

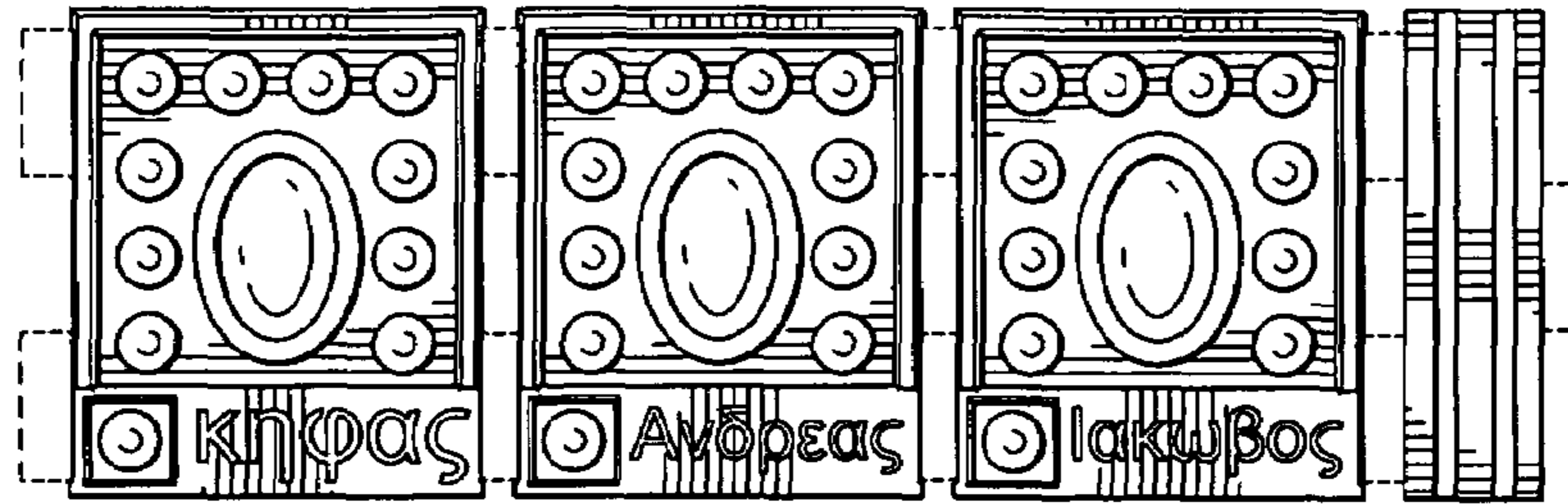


FIG. 8

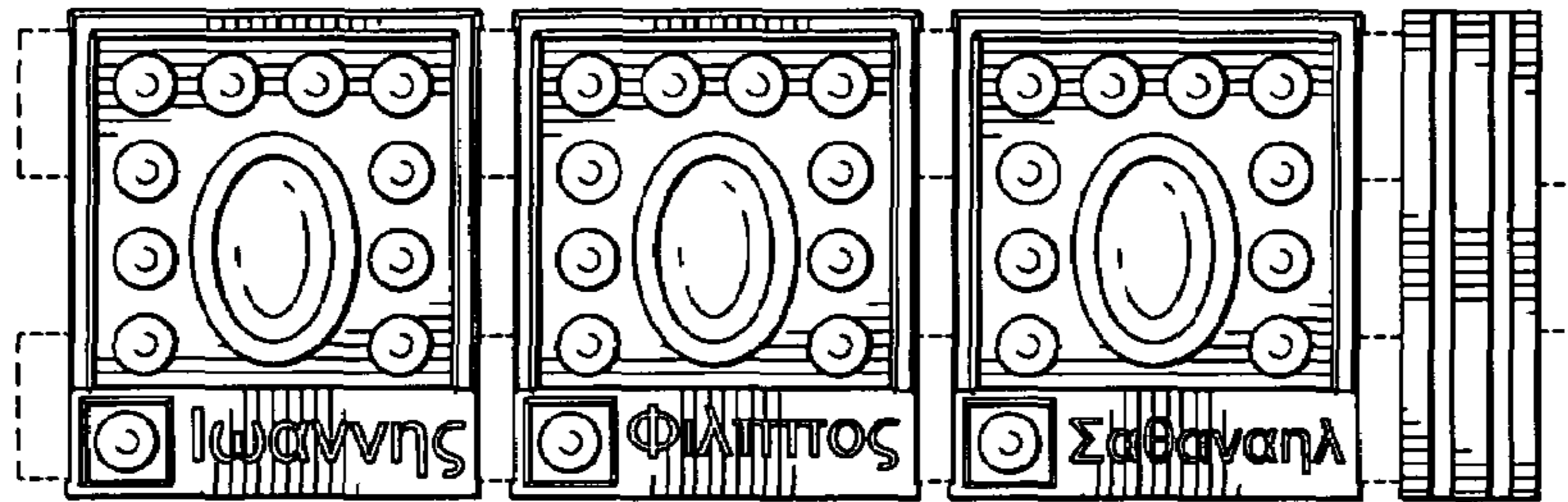


FIG. 9

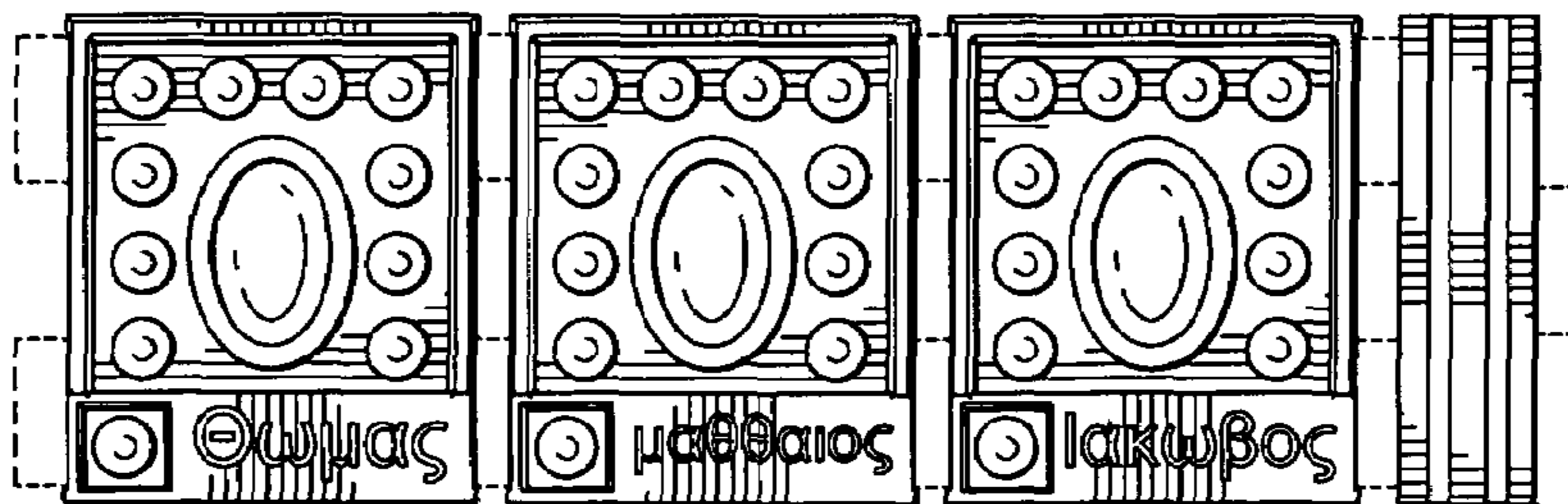


FIG. 10

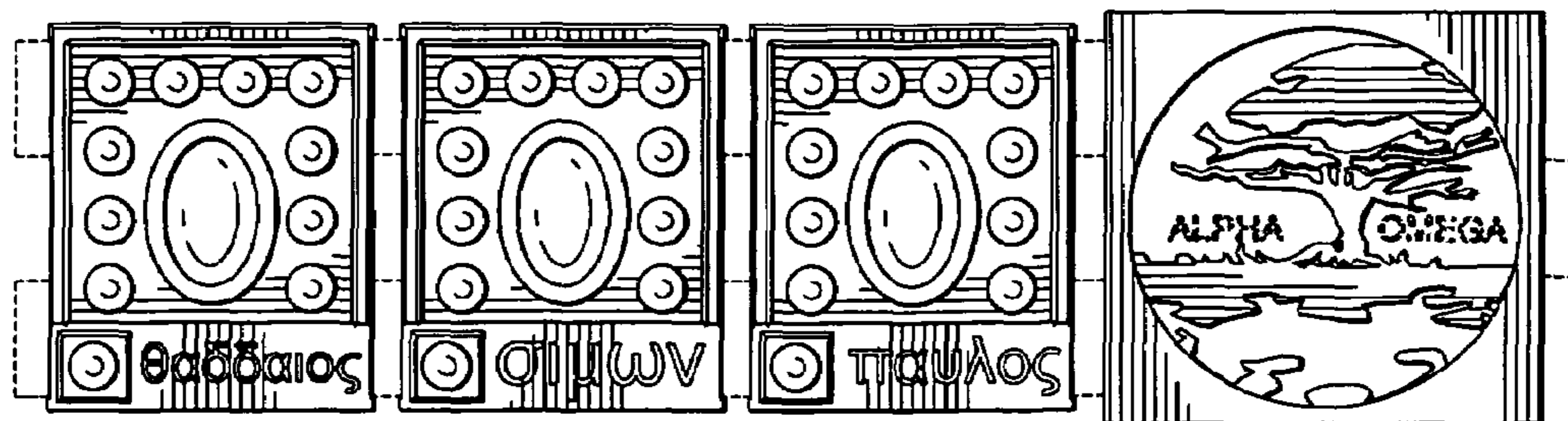


FIG. 12

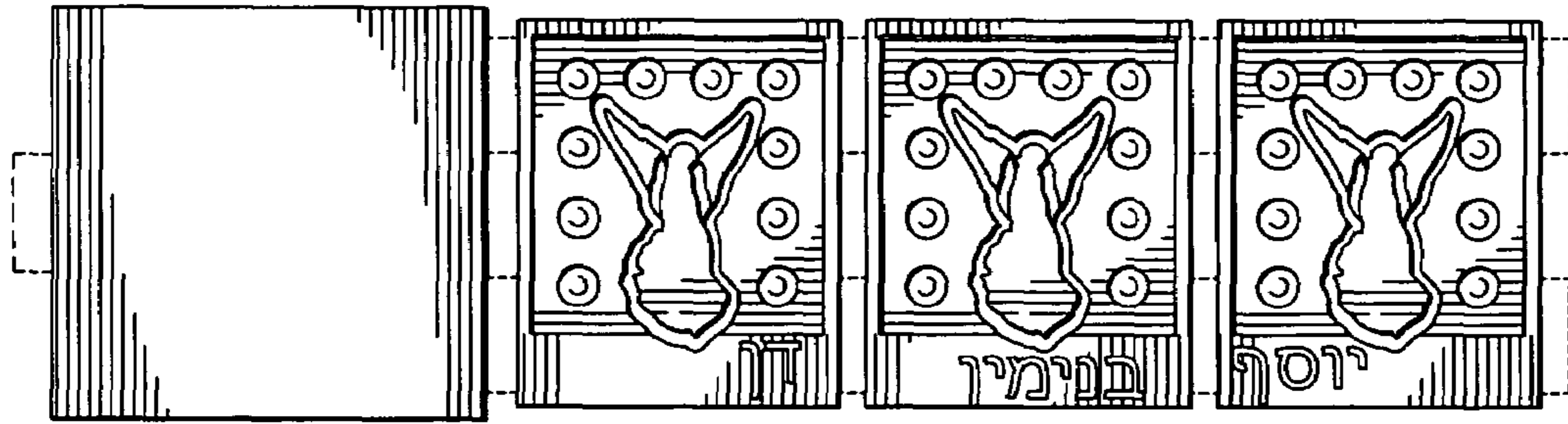


FIG. 13

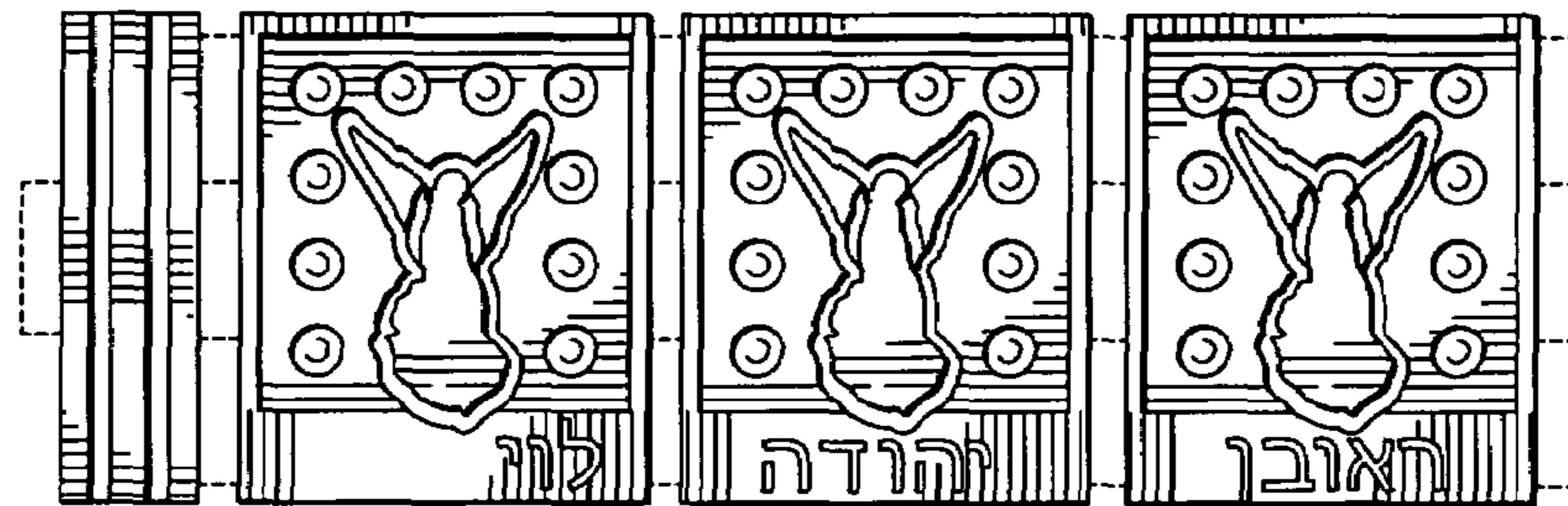


FIG. 14

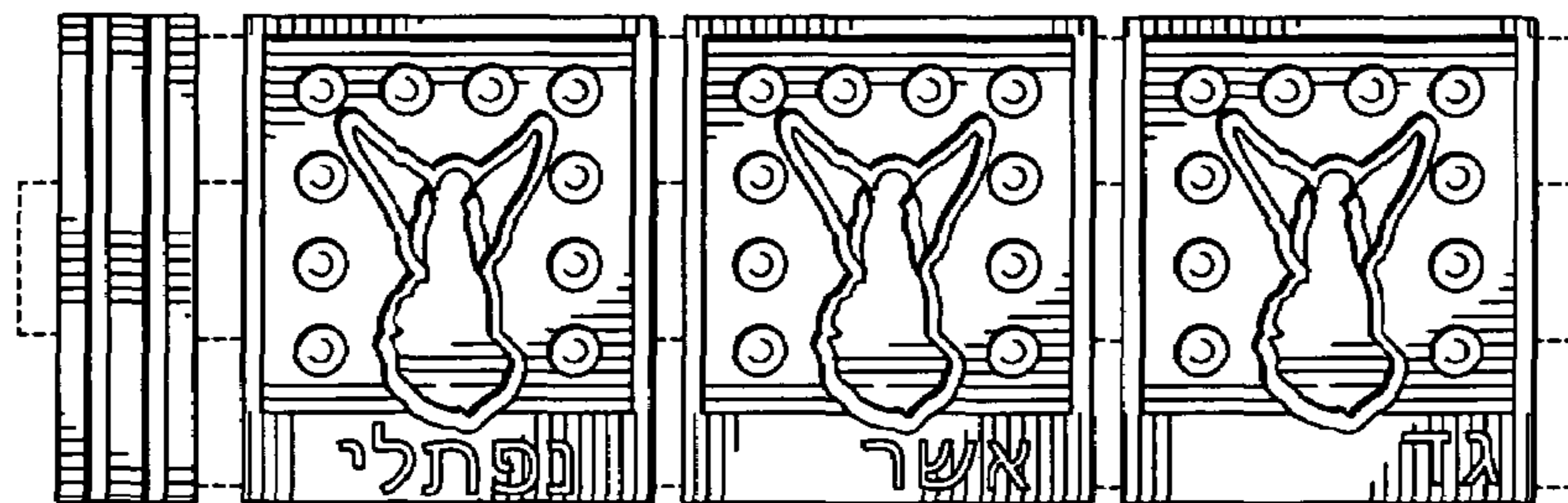


FIG. 15

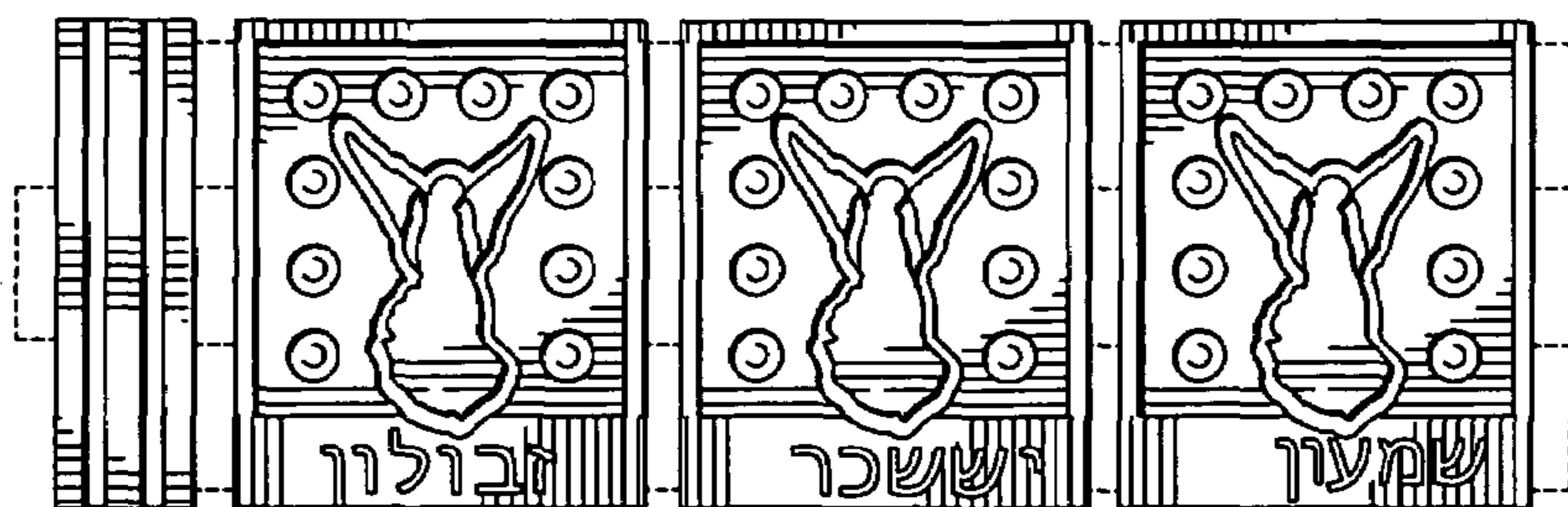


FIG. 16



FIG. 17

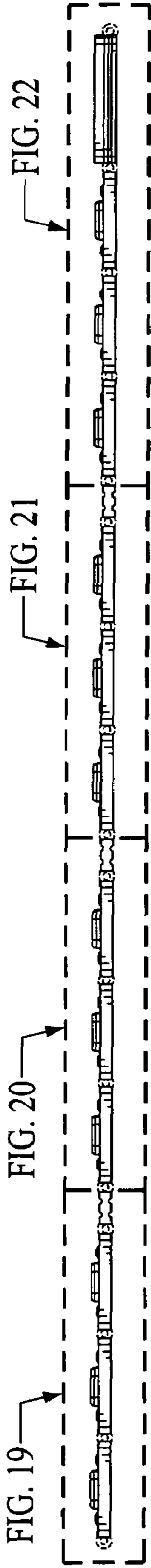
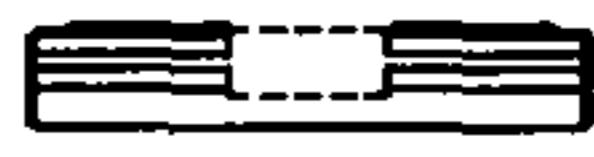


FIG. 18

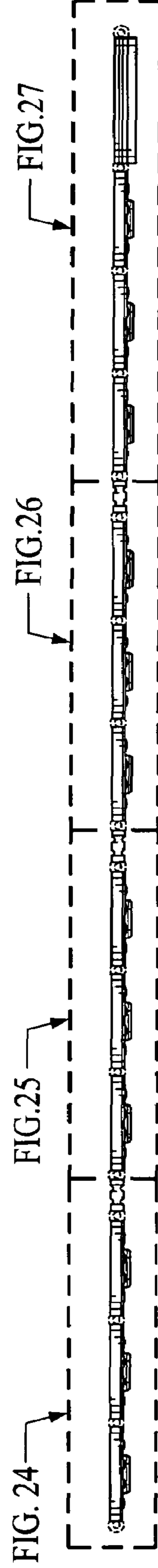


FIG. 23

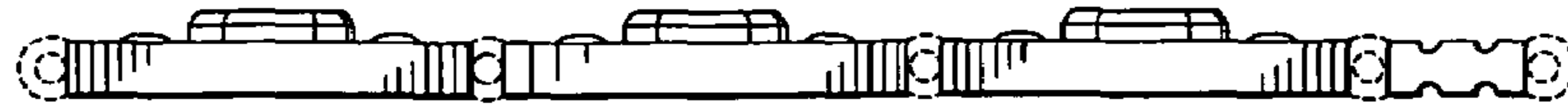


FIG. 19

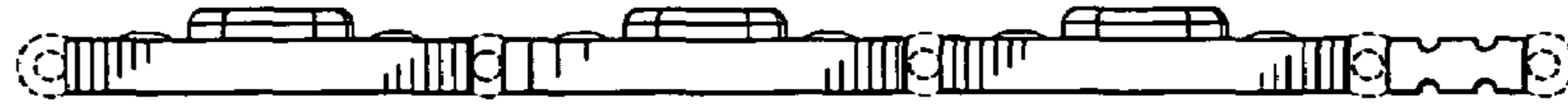


FIG. 20

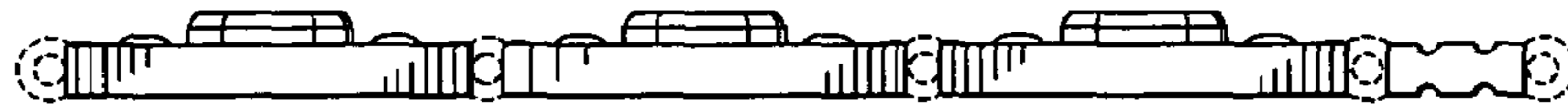


FIG. 21



FIG. 22

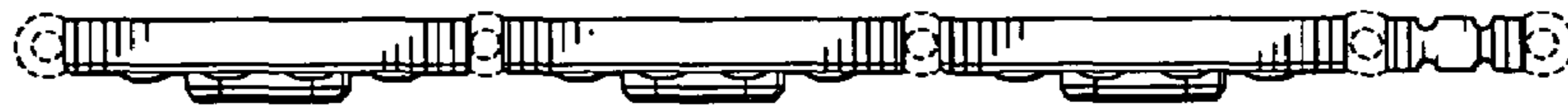


FIG. 24



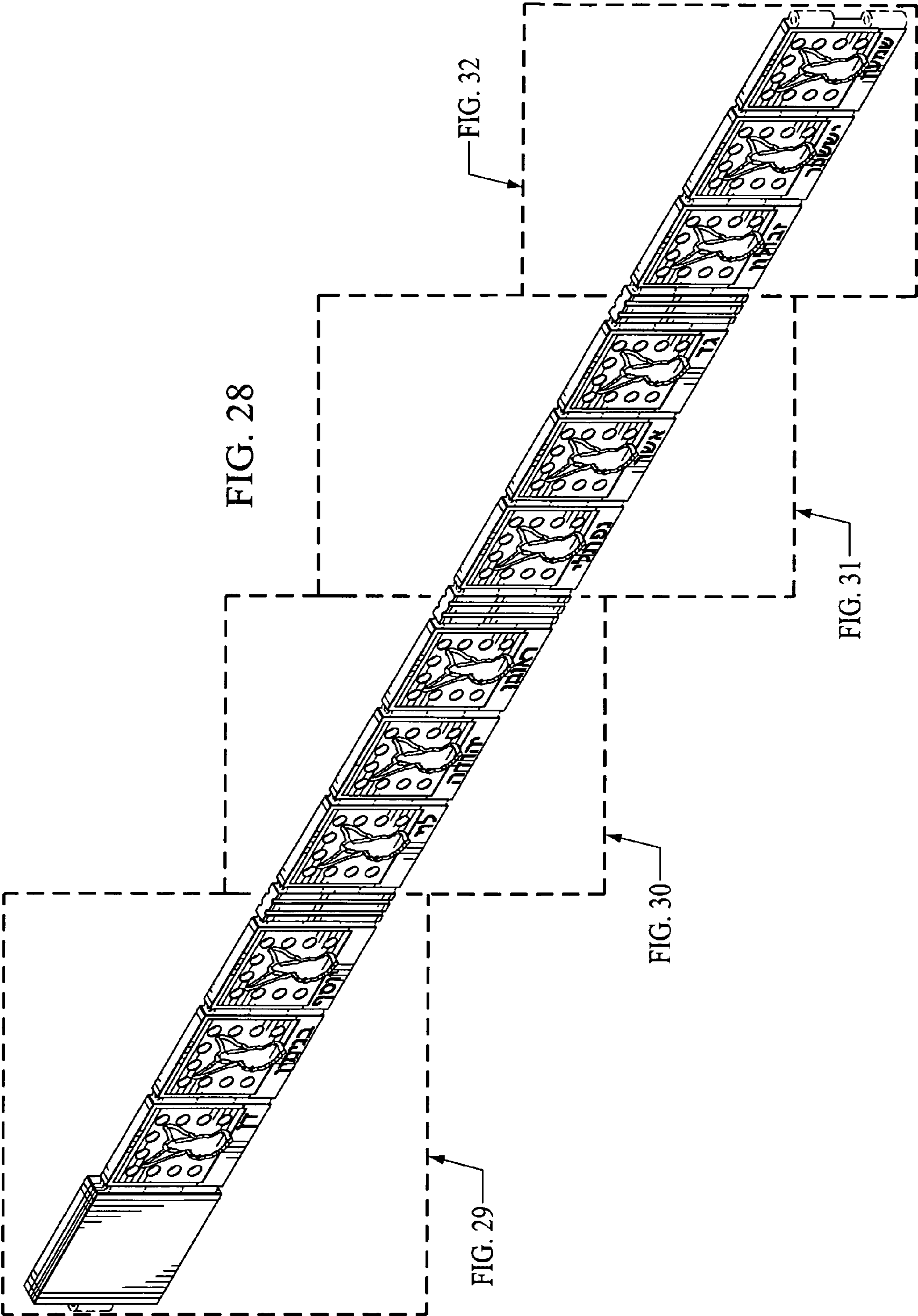
FIG. 25



FIG. 26



FIG. 27



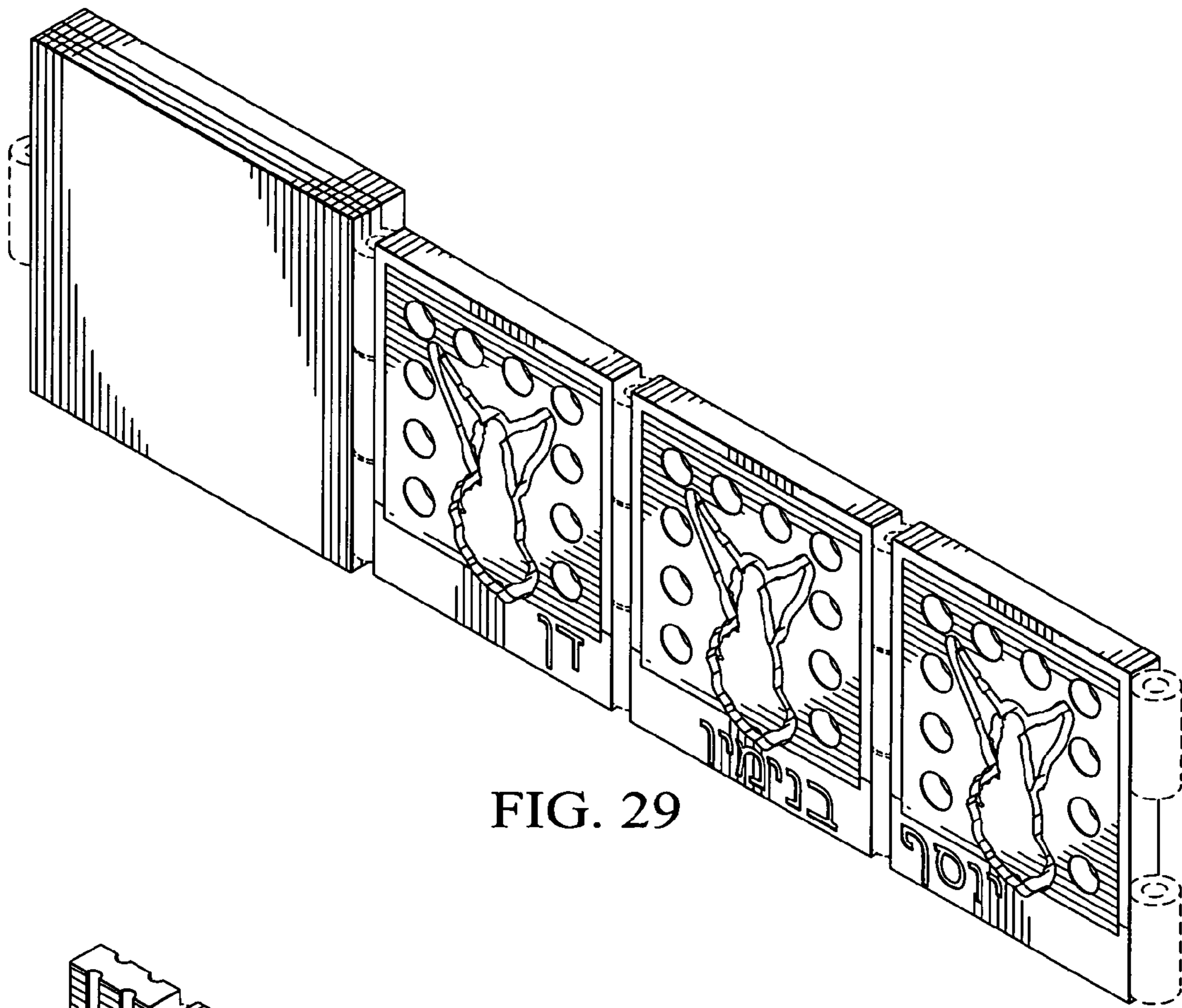


FIG. 29

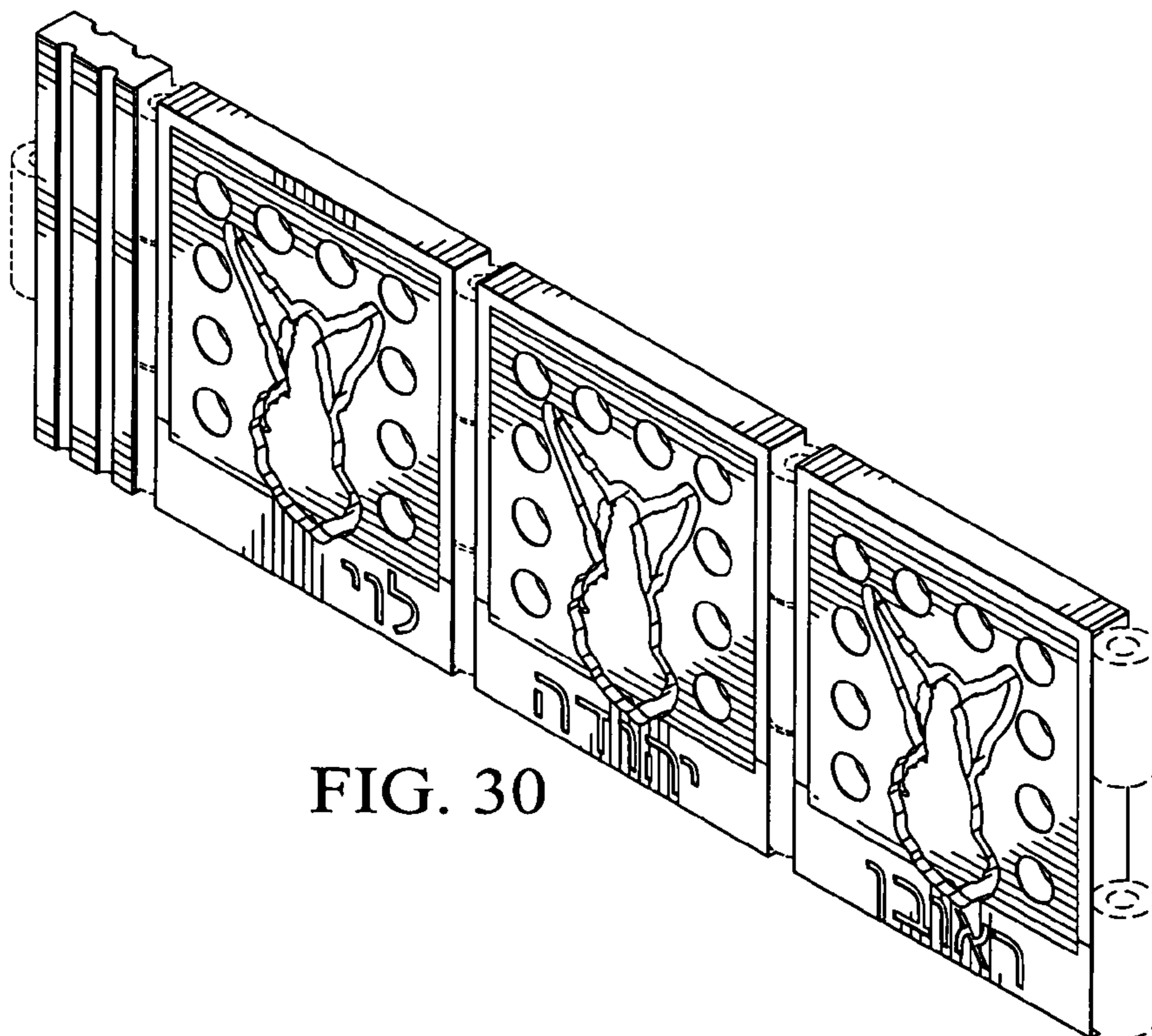


FIG. 30

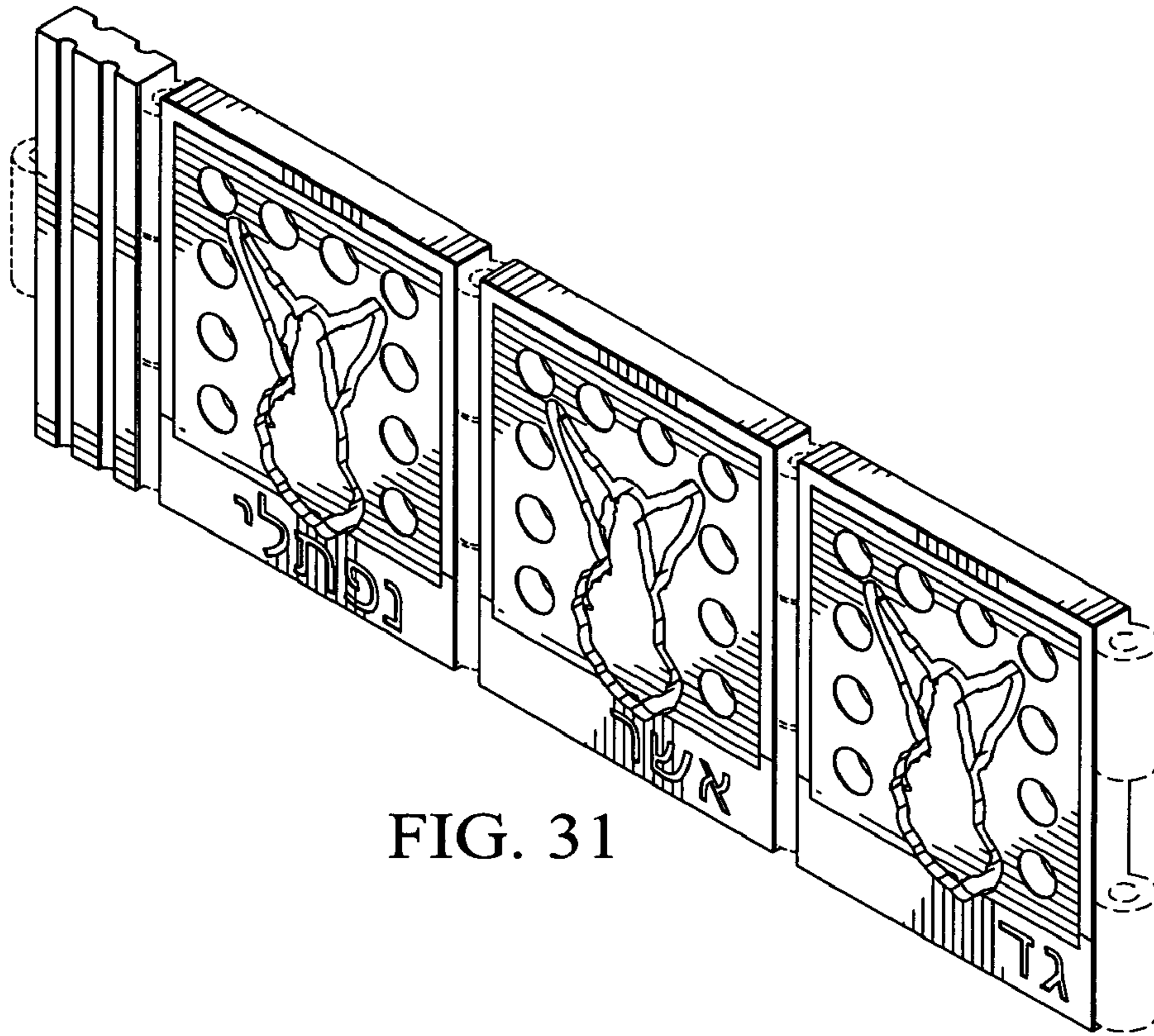


FIG. 31

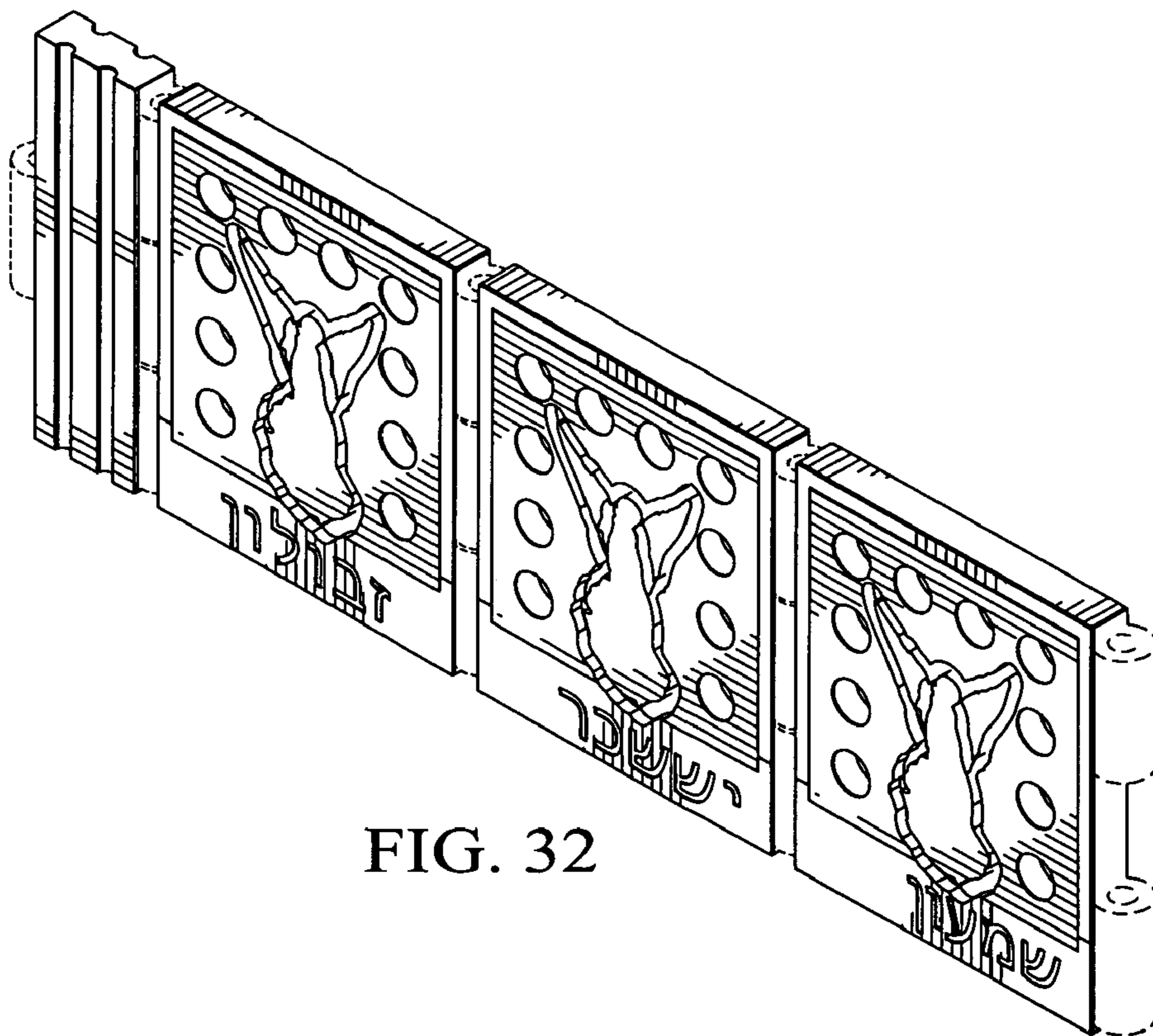


FIG. 32