



US00D605068S

(12) **United States Design Patent**
Dir

(10) **Patent No.:** **US D605,068 S**
(45) **Date of Patent:** **** Dec. 1, 2009**

(54) **GAME CALL SPEAKER MODULE**

(57) **CLAIM**

(75) Inventor: **Ronald R Dir**, Sturtevant, WI (US)

The ornamental design for a game call speaker module, as shown and described.

(73) Assignee: **Designlink, LLC**, Sturtevant, WI (US)

(**) Term: **14 Years**

DESCRIPTION

(21) Appl. No.: **29/296,209**

In an exemplary embodiment the nature of this product is as a game call speaker module for producing sounds that attract wildlife.

(22) Filed: **Oct. 16, 2007**

(51) **LOC (9) Cl.** **10-05**

(52) **U.S. Cl.** **D10/119**

(58) **Field of Classification Search** D10/119,
D10/116, 65, 80, 70; 43/1; 446/418, 397,
446/208, 207, 202, 209; 343/702; D14/347;
D20/39, 10, 43, 19; D6/466

FIG. 1 is a right, top, frontal perspective view of a game call speaker module in a first or storage configuration, embodying the new design;

FIG. 2 is a right side elevational view thereof;

FIG. 3 is a left side elevational view thereof;

FIG. 4 is a front elevational view thereof;

FIG. 5 is a rear elevational view thereof;

FIG. 6 is a top plan view thereof;

FIG. 7 is a bottom view thereof;

FIG. 8 is a right, tip frontal perspective view of a game call speaker module in a second or assembled configuration, embodying the new design;

FIG. 9 is a right side elevational view thereof;

FIG. 10 is a left side elevational view thereof;

FIG. 11 is a front elevational view thereof;

FIG. 12 is a rear elevational view thereof;

FIG. 13 is a top plan view thereof; and,

FIG. 14 is a bottom view thereof.

The broken line representations of input/output connections and related structure in FIGS. 1–12 and 13; of structural ribs in FIGS. 5 and 14; of fasteners and fastener recesses in FIGS. 2, 3, 5, 9, 10, 12 and 14; and of an on/off button and indicator light in FIGS. 1, 2, 4, 5, 9, and 11–13; show use and environment, and form no part of the claim.

See application file for complete search history.

(56) **References Cited**

U.S. PATENT DOCUMENTS

3,414,873	A	12/1968	Richard et al.	
3,847,120	A	11/1974	Hicks	
4,105,992	A	8/1978	Luciano	
4,218,676	A	8/1980	Worsham et al.	
D279,201	S *	6/1985	Shuman	D20/43
4,819,101	A	4/1989	Lemelson	
4,896,305	A	1/1990	Gimbal	
D324,701	S *	3/1992	Capps	D20/19
5,146,353	A	9/1992	Isoguchi et al.	
5,233,780	A	8/1993	Overholt	
5,239,587	A	8/1993	Muckelrath	
5,282,178	A	1/1994	Hill et al.	
5,283,836	A	2/1994	Truffitt	
5,402,102	A	3/1995	Lachance	
5,563,574	A	10/1996	Hoover	

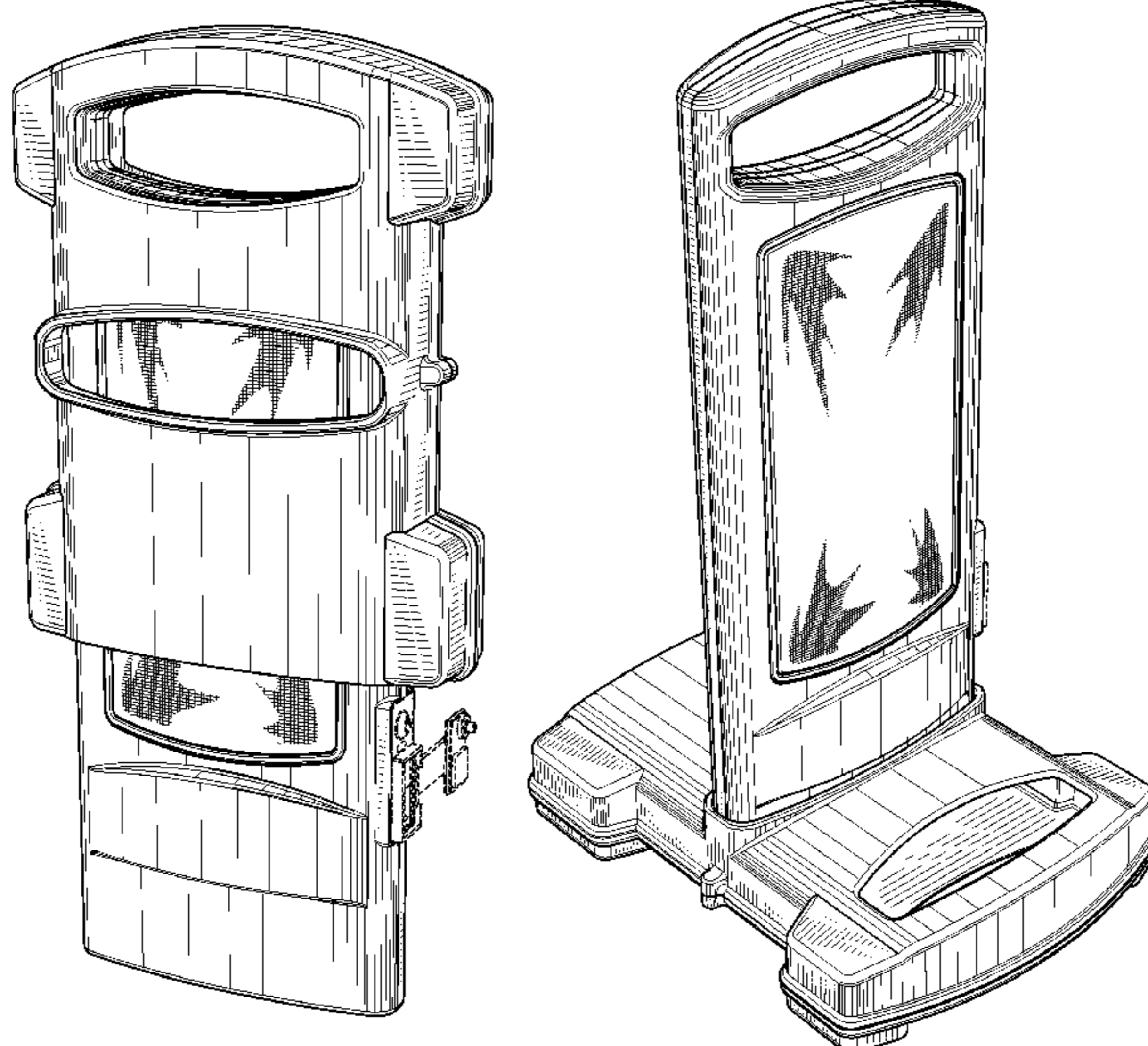
(Continued)

Primary Examiner—Cathron C Brooks

Assistant Examiner—Austin Murphy

(74) *Attorney, Agent, or Firm*—Miller, Matthias & Hull

1 Claim, 9 Drawing Sheets



US D605,068 S

Page 2

U.S. PATENT DOCUMENTS

5,572,592 A	11/1996	Muckelrath	6,755,714 B1	6/2004	Huddleston
5,575,240 A	11/1996	Udelle et al.	6,757,574 B2	6/2004	Gardner et al.
5,633,985 A	5/1997	Severson et al.	6,760,456 B1	7/2004	Annaratone
D381,059 S	7/1997	Simpson et al.	6,768,868 B1	7/2004	Schnell
5,749,324 A	5/1998	Moore	6,813,025 B2	11/2004	Edwards
D434,451 S *	11/2000	Grimshaw D20/10	D500,811 S *	1/2005	Ouelet et al. D20/39
D450,776 S *	11/2001	Albrecht D20/10	7,099,488 B2	8/2006	Bohlender
6,311,644 B1	11/2001	Pugh	7,237,648 B2	7/2007	Lee et al.
D455,789 S *	4/2002	Schlueter D20/10	2002/0038456 A1	3/2002	Hansen et al.
6,494,166 B1	12/2002	Cornell	2004/0022410 A1	2/2004	Bohlender
D468,134 S *	1/2003	Oikawa D6/466	2004/0050188 A1	3/2004	Richards et al.
D481,419 S *	10/2003	Dixon D20/39	2004/0143602 A1	7/2004	Ruiz et al.
6,687,381 B2	2/2004	Yanagawa et al.	2004/0223625 A1	11/2004	Stilwell
D487,581 S *	3/2004	Dixon D20/39	2006/0146122 A1	7/2006	McDonald et al.
6,722,318 B2	4/2004	Hotmer	2006/0285711 A1	12/2006	Song

* cited by examiner

FIG. 1

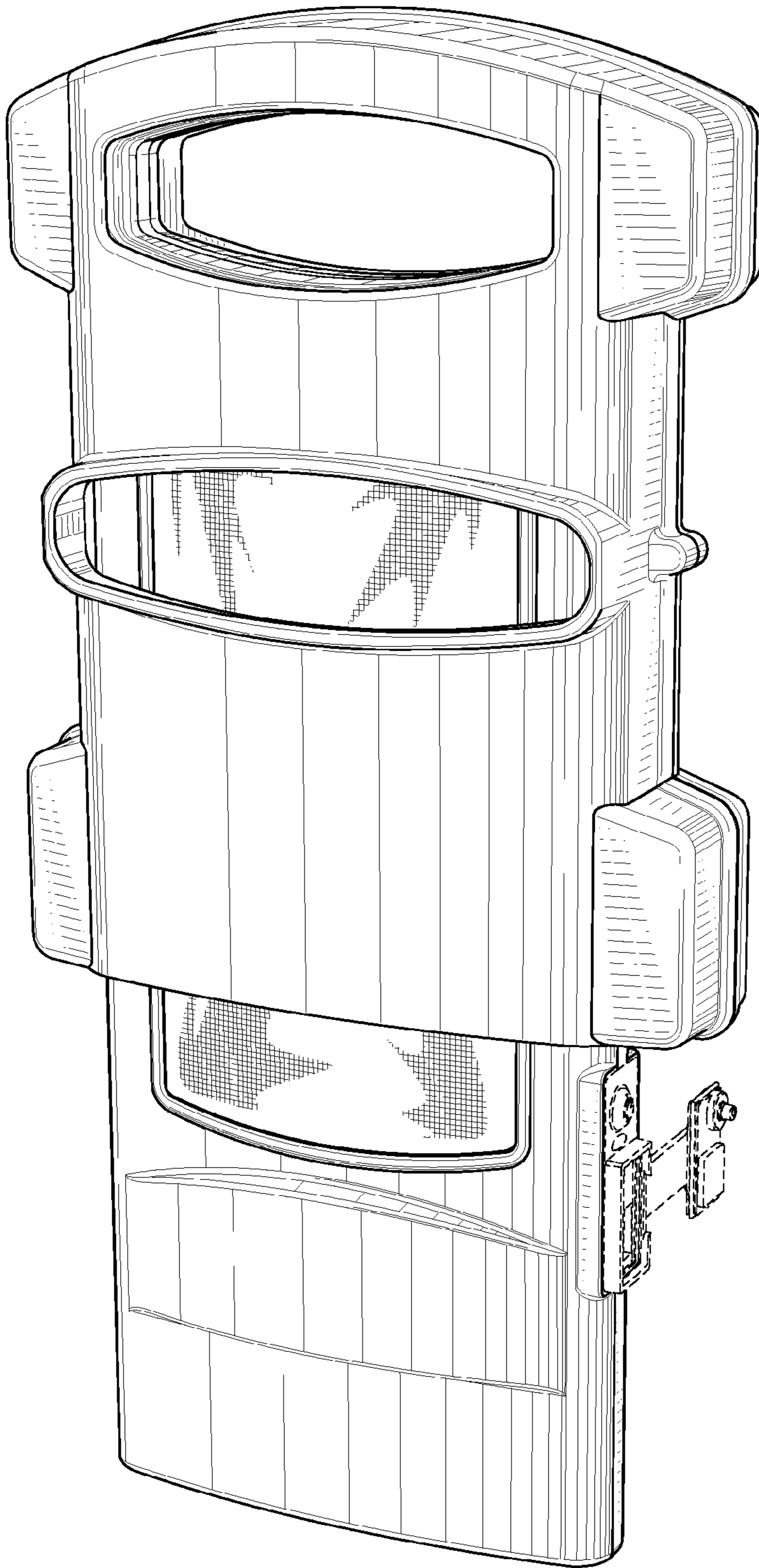


FIG. 2

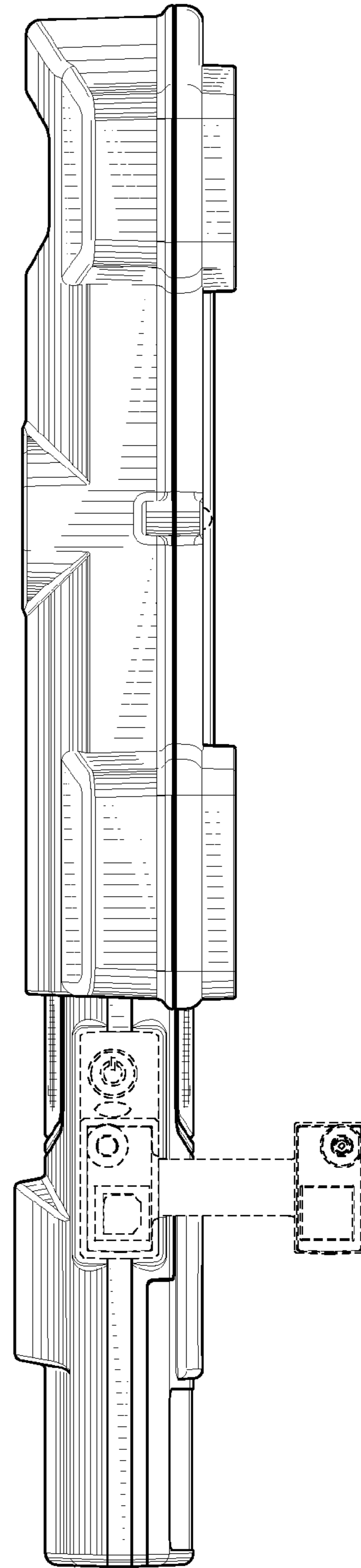


FIG. 3

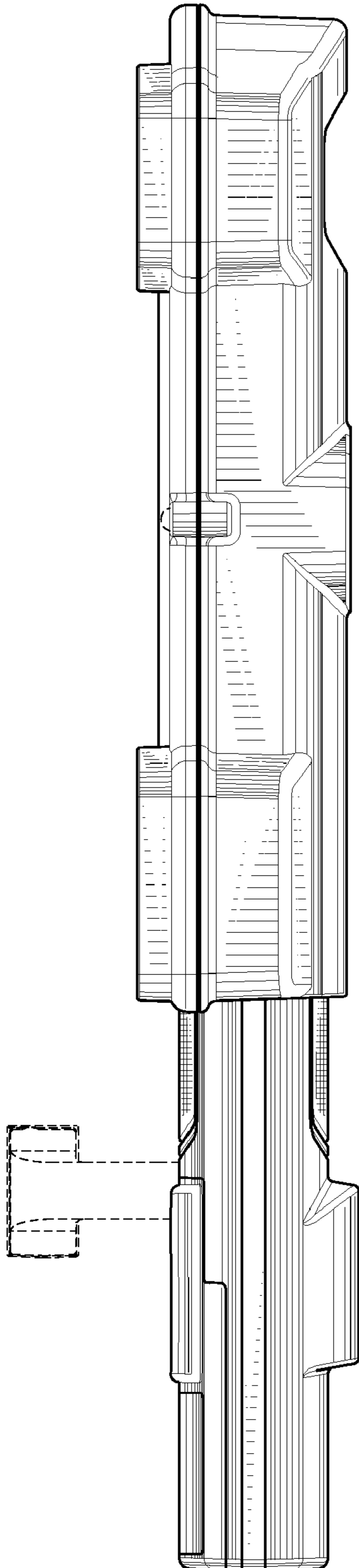
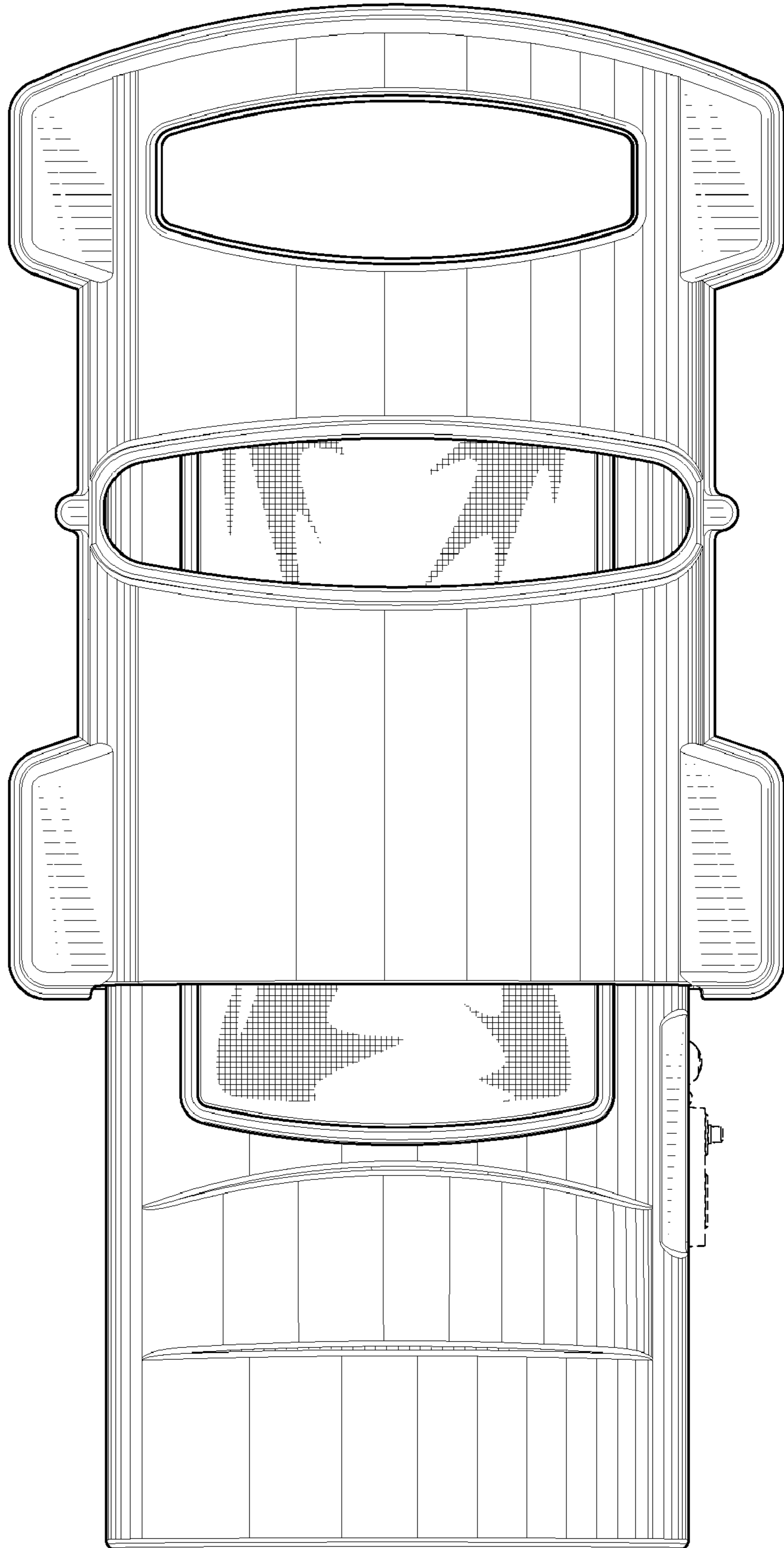


FIG. 4



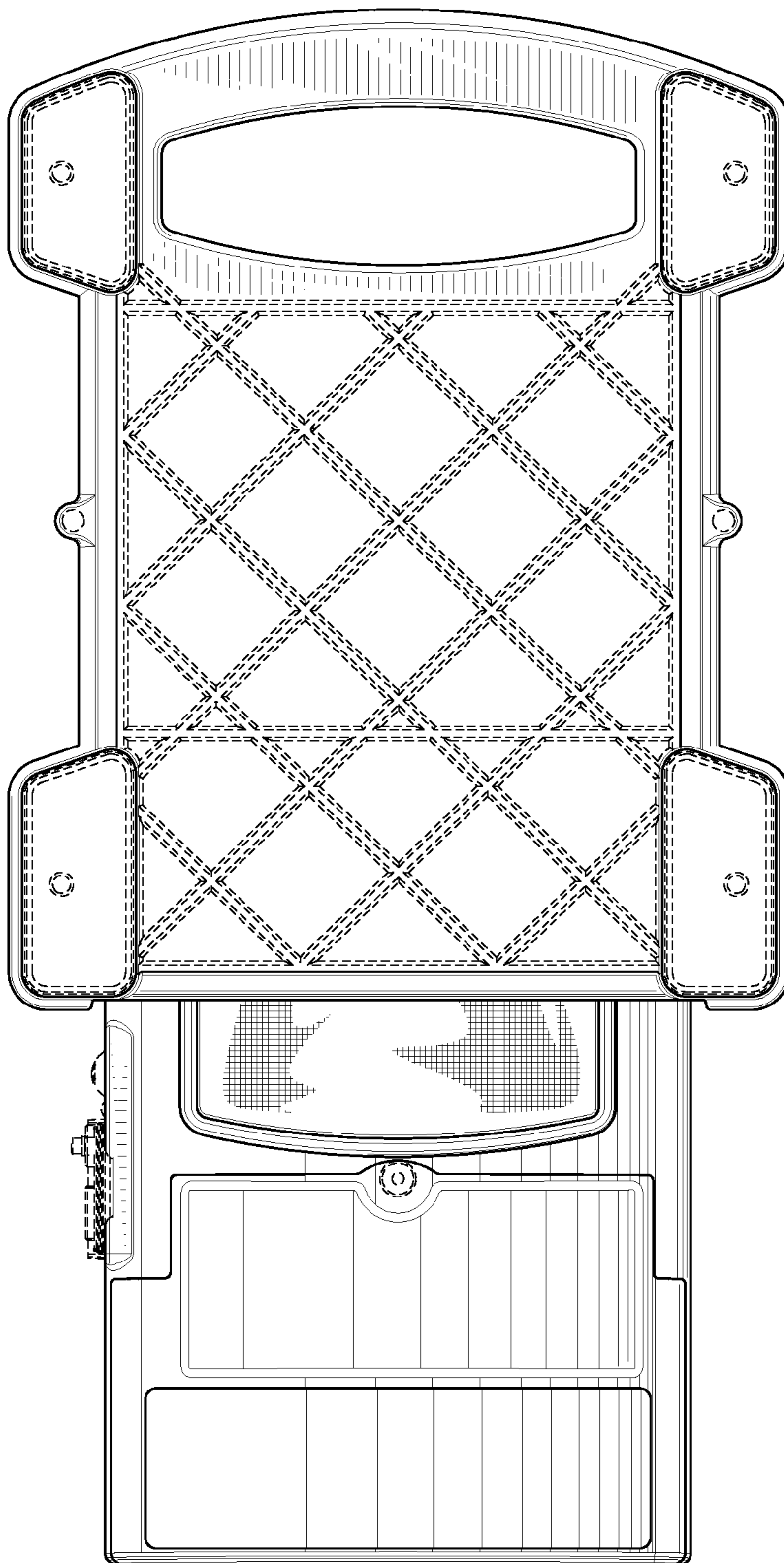


FIG. 5

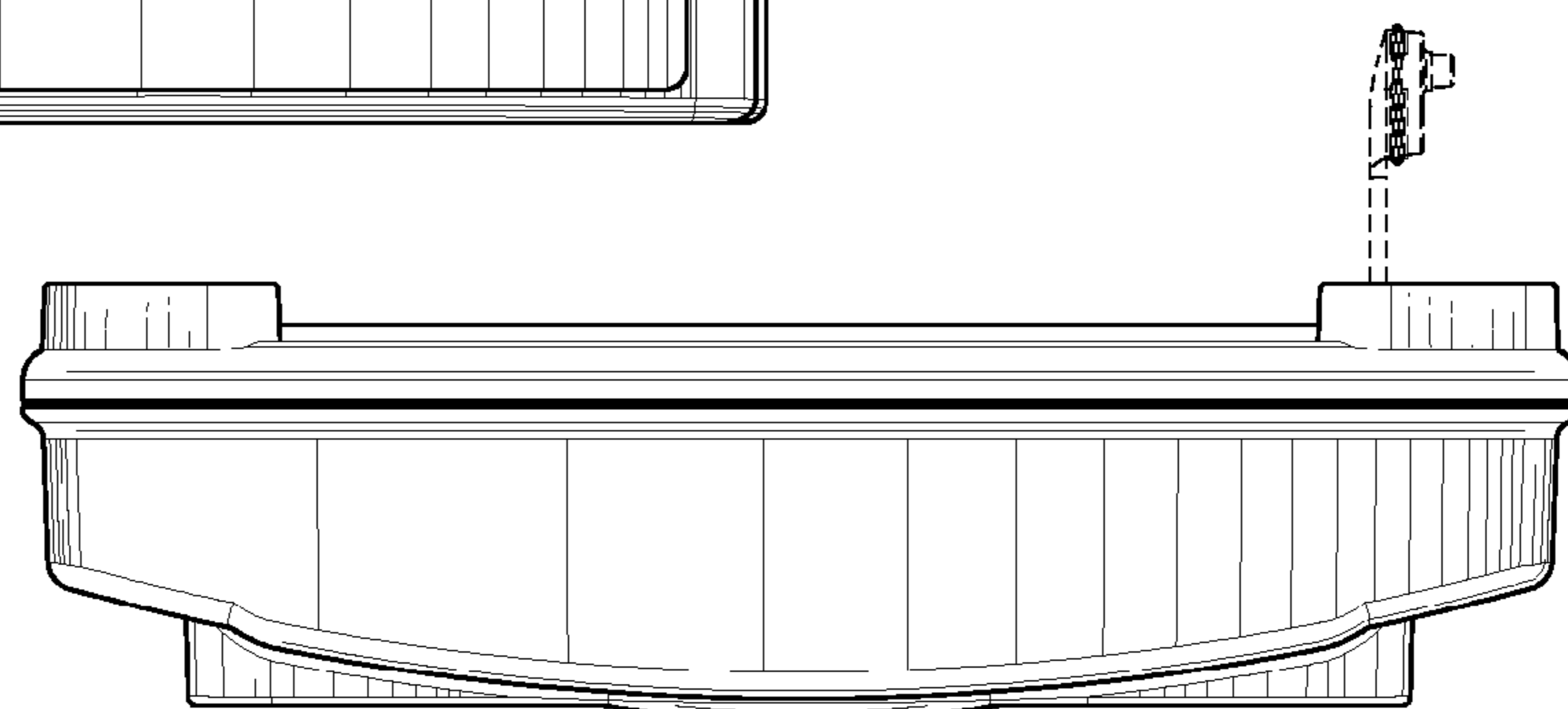


FIG. 6

FIG. 7

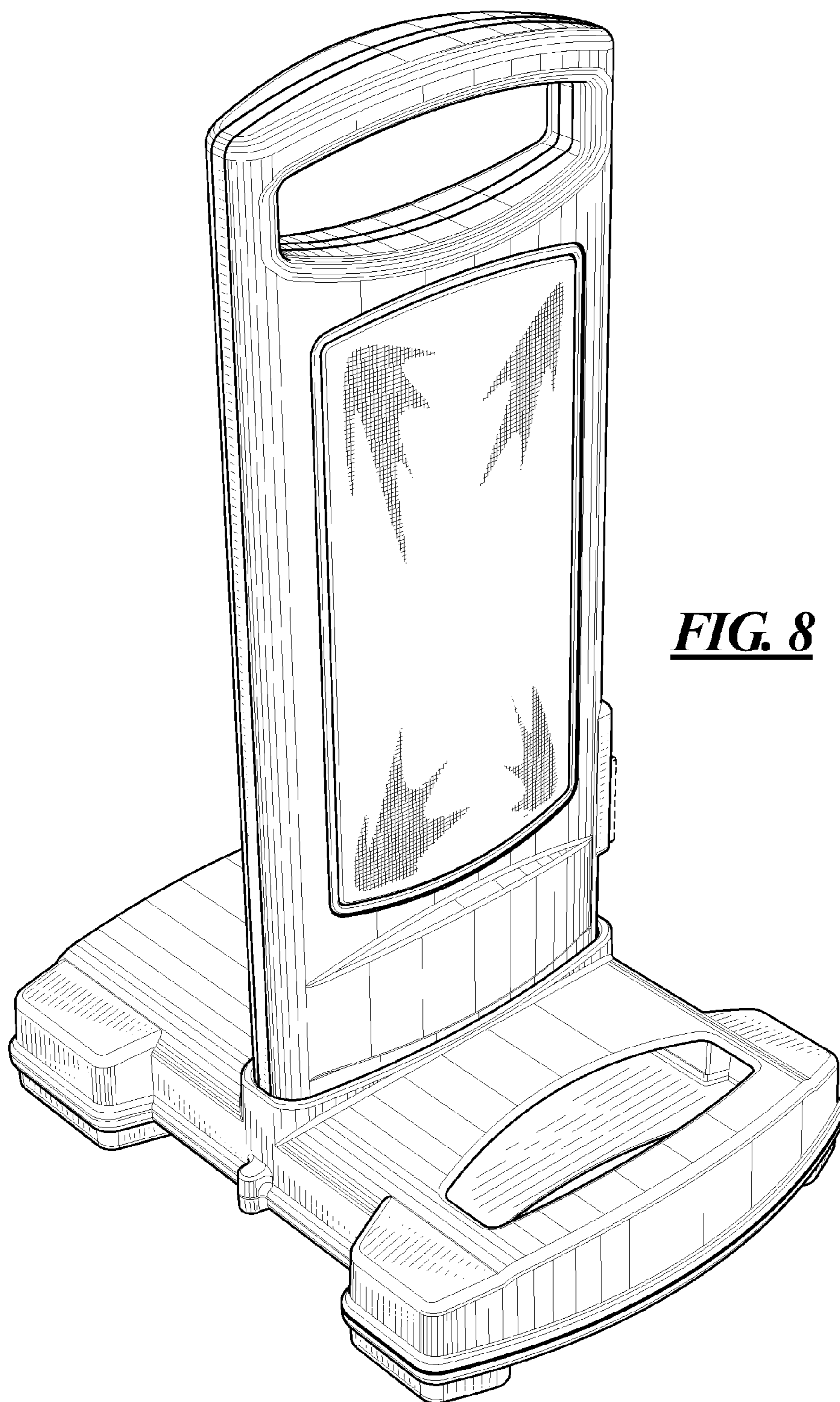
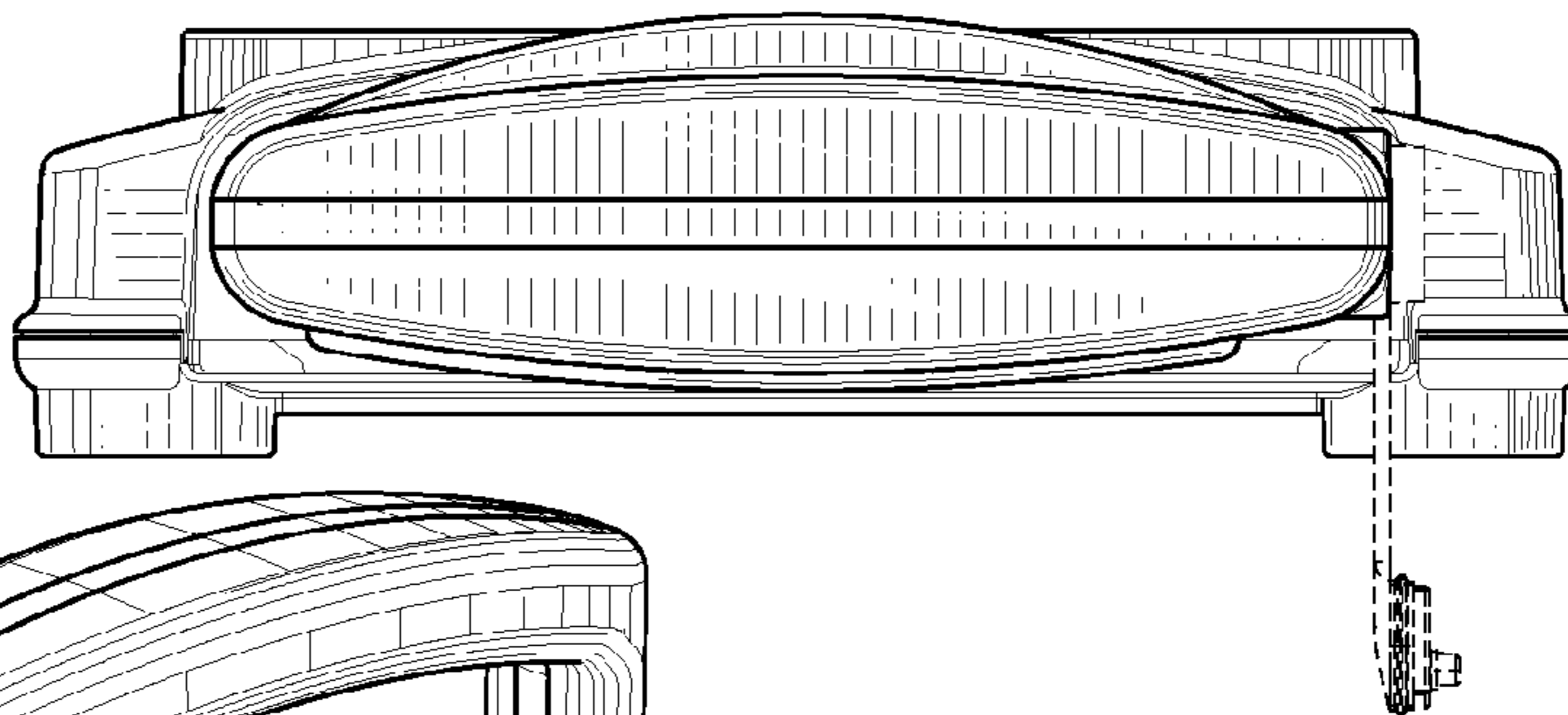


FIG. 9

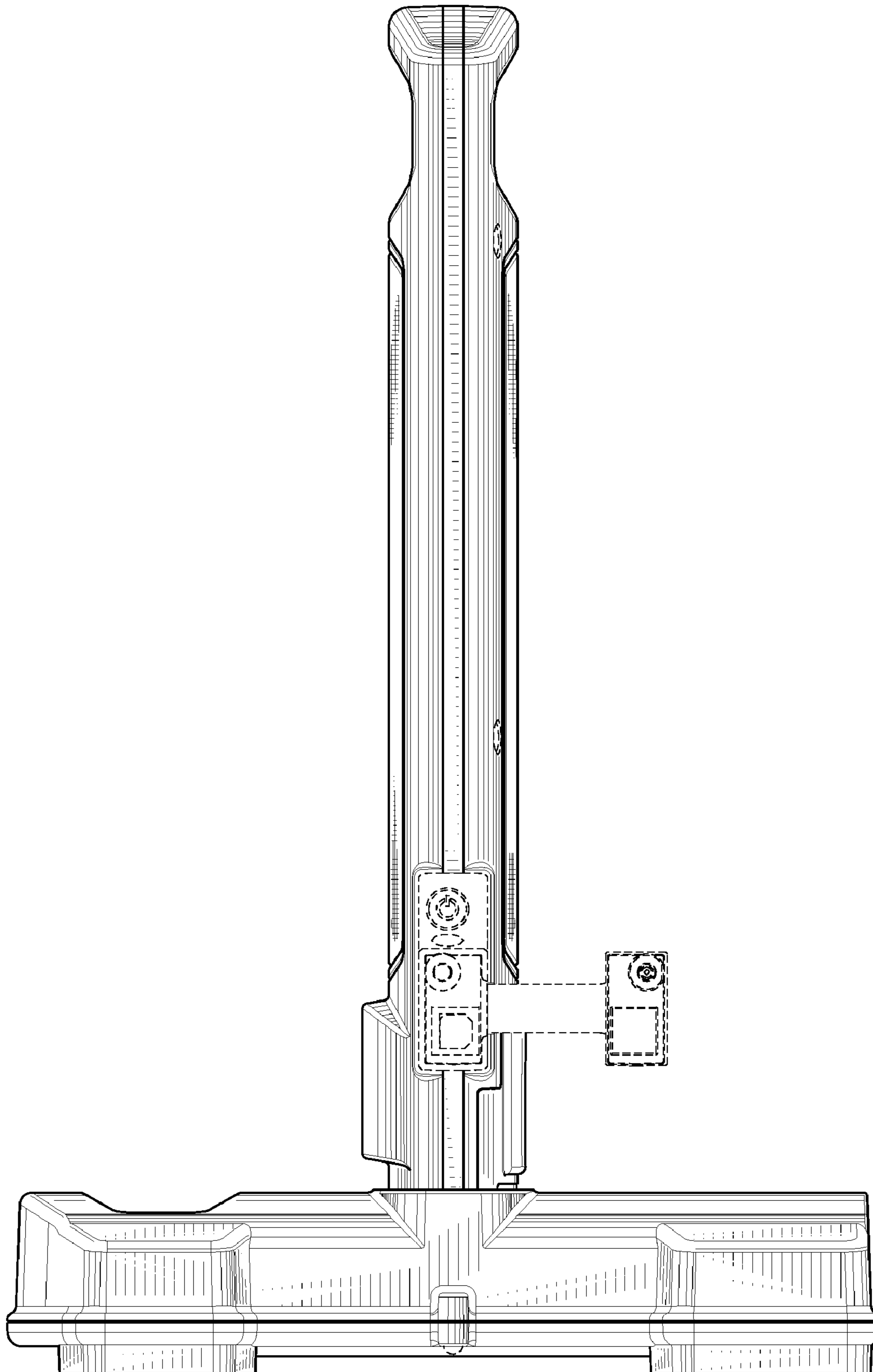


FIG. 10

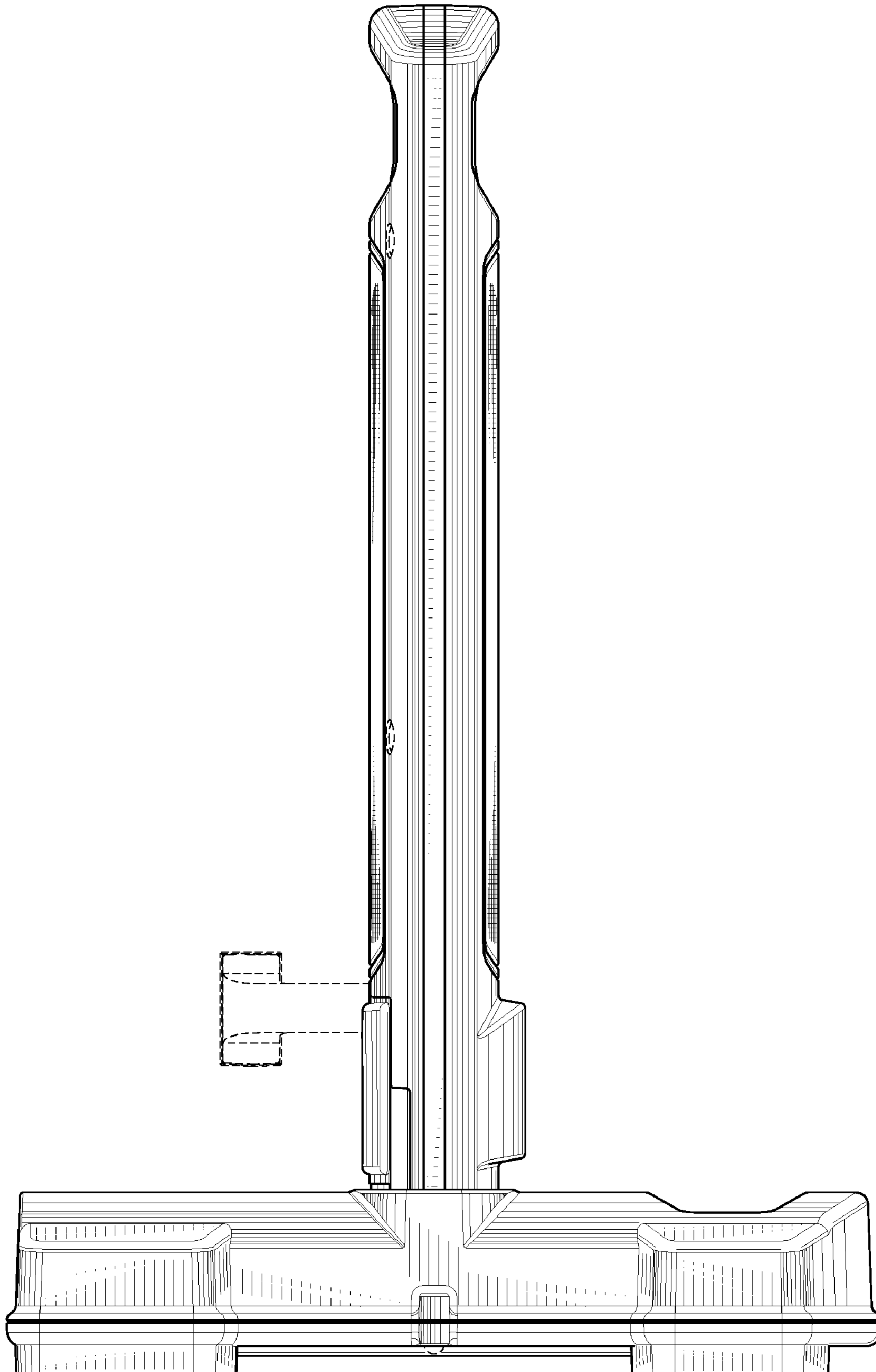


FIG. 11

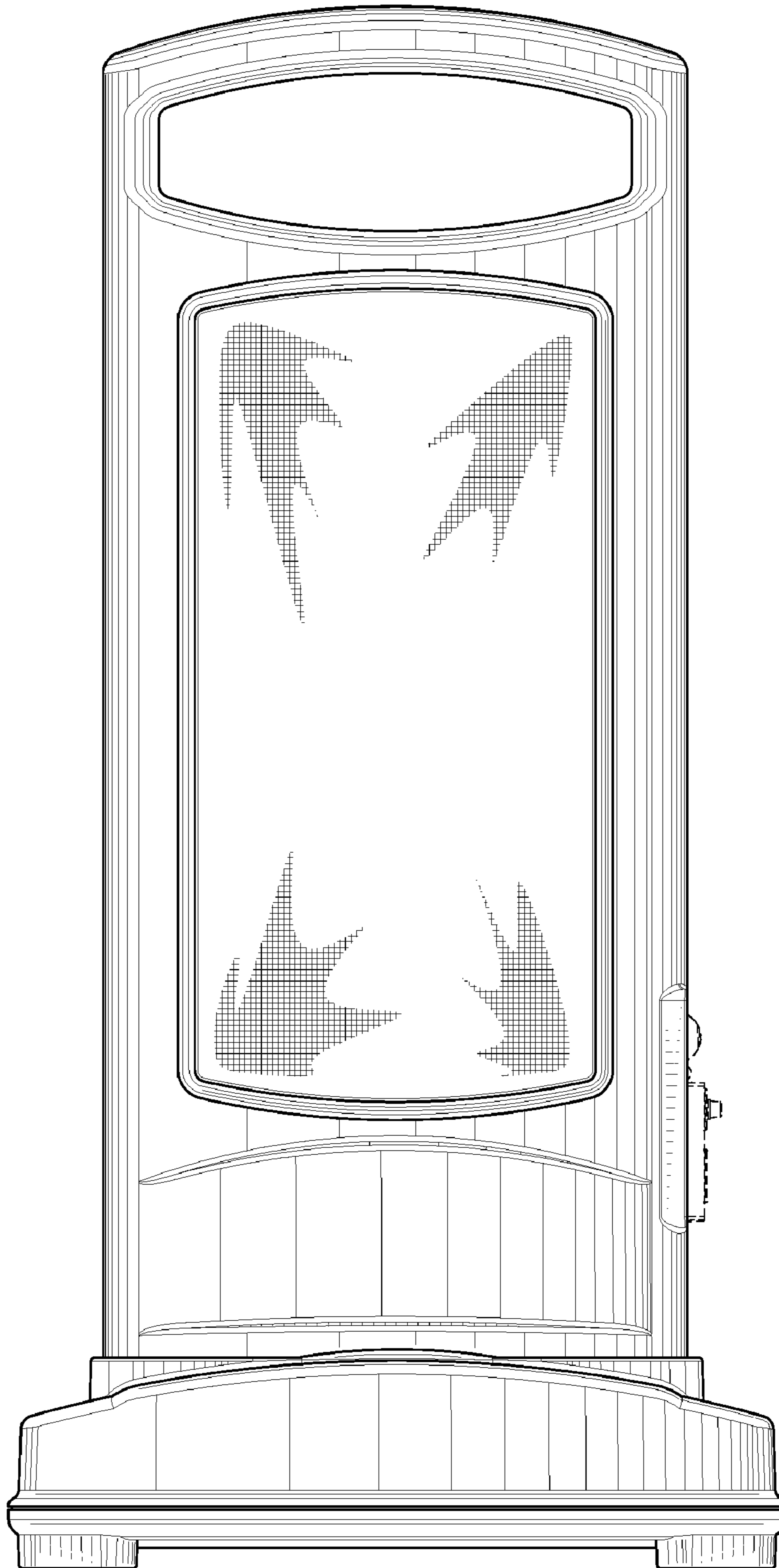


FIG. 12

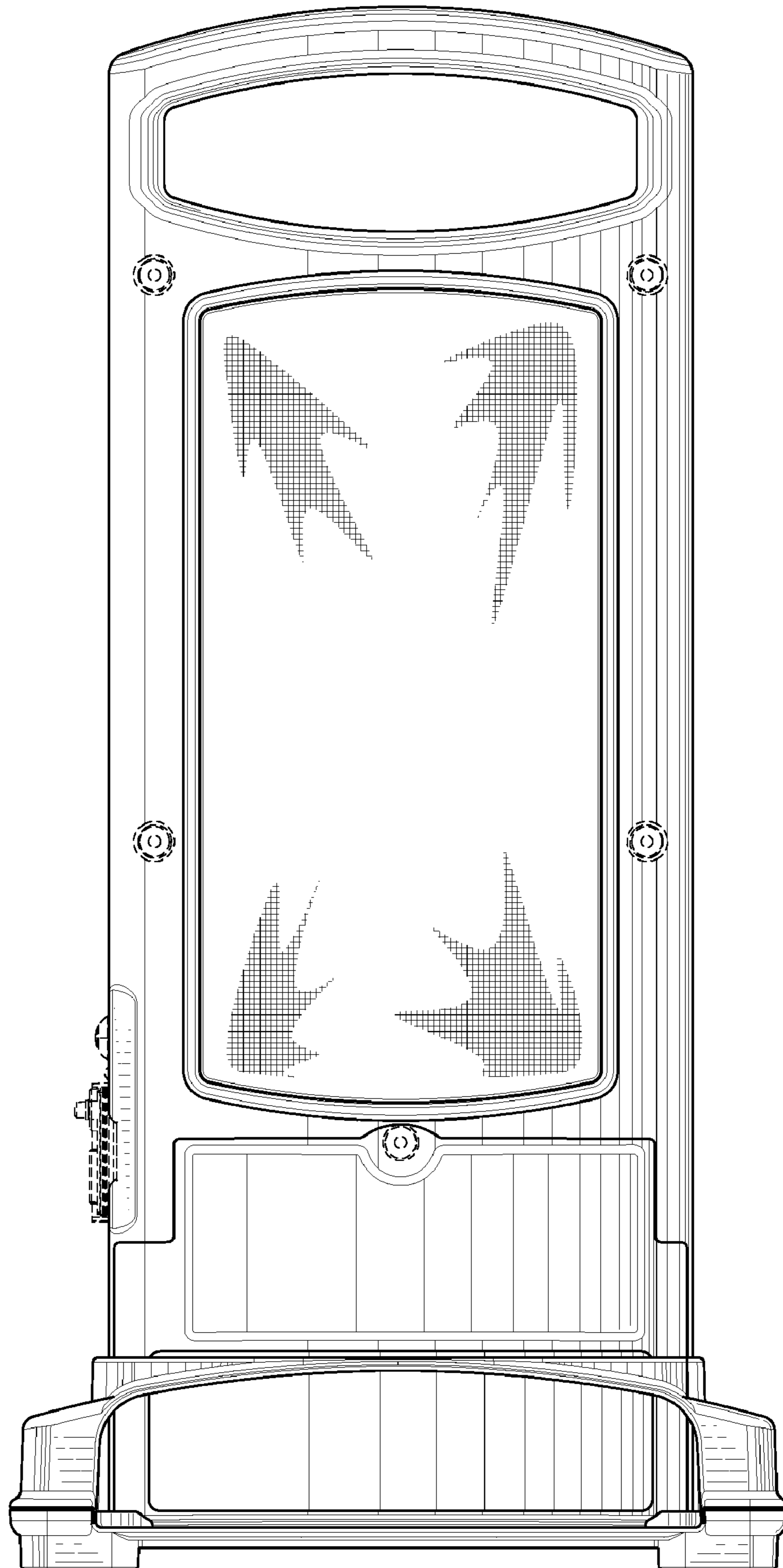


FIG. 14

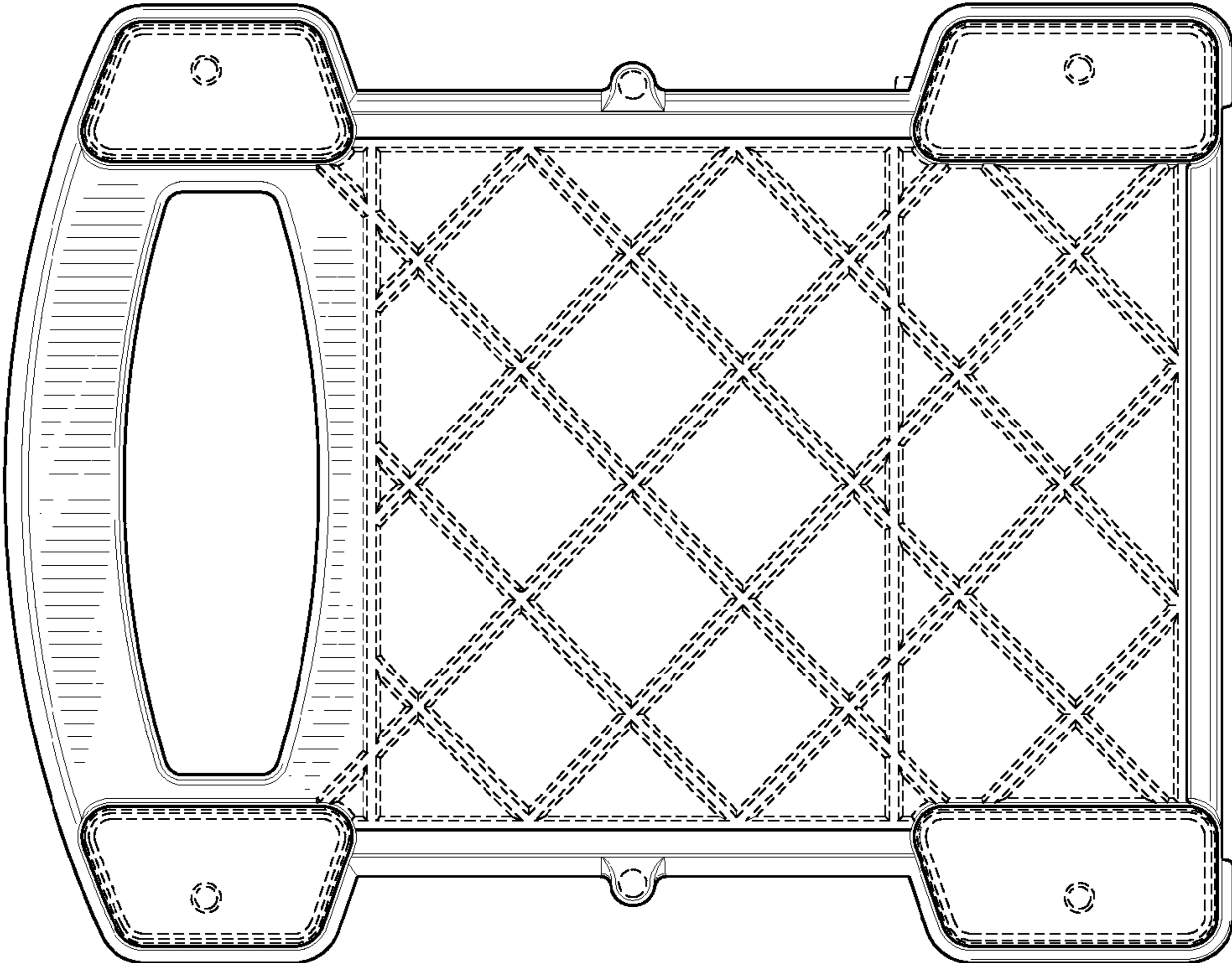


FIG. 13

