



US00D605065S

(12) **United States Design Patent**
Meziere

(10) **Patent No.:** **US D605,065 S**

(45) **Date of Patent:** **** Dec. 1, 2009**

(54) **PORTABLE ALARM UNIT FOR MEDICAL USE**

D372,747 S * 8/1996 Mathews D10/114
D374,190 S * 10/1996 Yuen D10/114
D419,902 S * 2/2000 Watanabe D10/114

(75) Inventor: **Cyril Meziere**, Bron (FR)

* cited by examiner

(73) Assignee: **Gambro Lundia AB**, Lund (SE)

Primary Examiner—Caron Veynar

(**) Term: **14 Years**

Assistant Examiner—George D Kirschbaum

(21) Appl. No.: **29/304,307**

(74) *Attorney, Agent, or Firm*—Pearne & Gordon LLP

(22) Filed: **Feb. 28, 2008**

(57) **CLAIM**

(30) **Foreign Application Priority Data**

The ornamental design for a portable alarm unit for medical use, as shown and described.

Sep. 3, 2007 (EM) 000788906

DESCRIPTION

(51) **LOC (9) Cl.** **10-05**

FIG. 1 is a right side elevational view of a portable alarm unit for medical use, showing my new design;

(52) **U.S. Cl.** **D10/106**

FIG. 2 is a front elevational view thereof;

(58) **Field of Classification Search** D10/109,
D10/111, 113, 114, 115, 104, 106; D26/28-31,
D26/60; 362/359-368, 475-478, 485-487;
D14/440, 441, 141.1, 159; D24/185, 186

FIG. 3 is a front-right-top perspective view thereof;

See application file for complete search history.

FIG. 4 is a top plan view thereof;

FIG. 5 is a left side elevational view thereof;

(56) **References Cited**

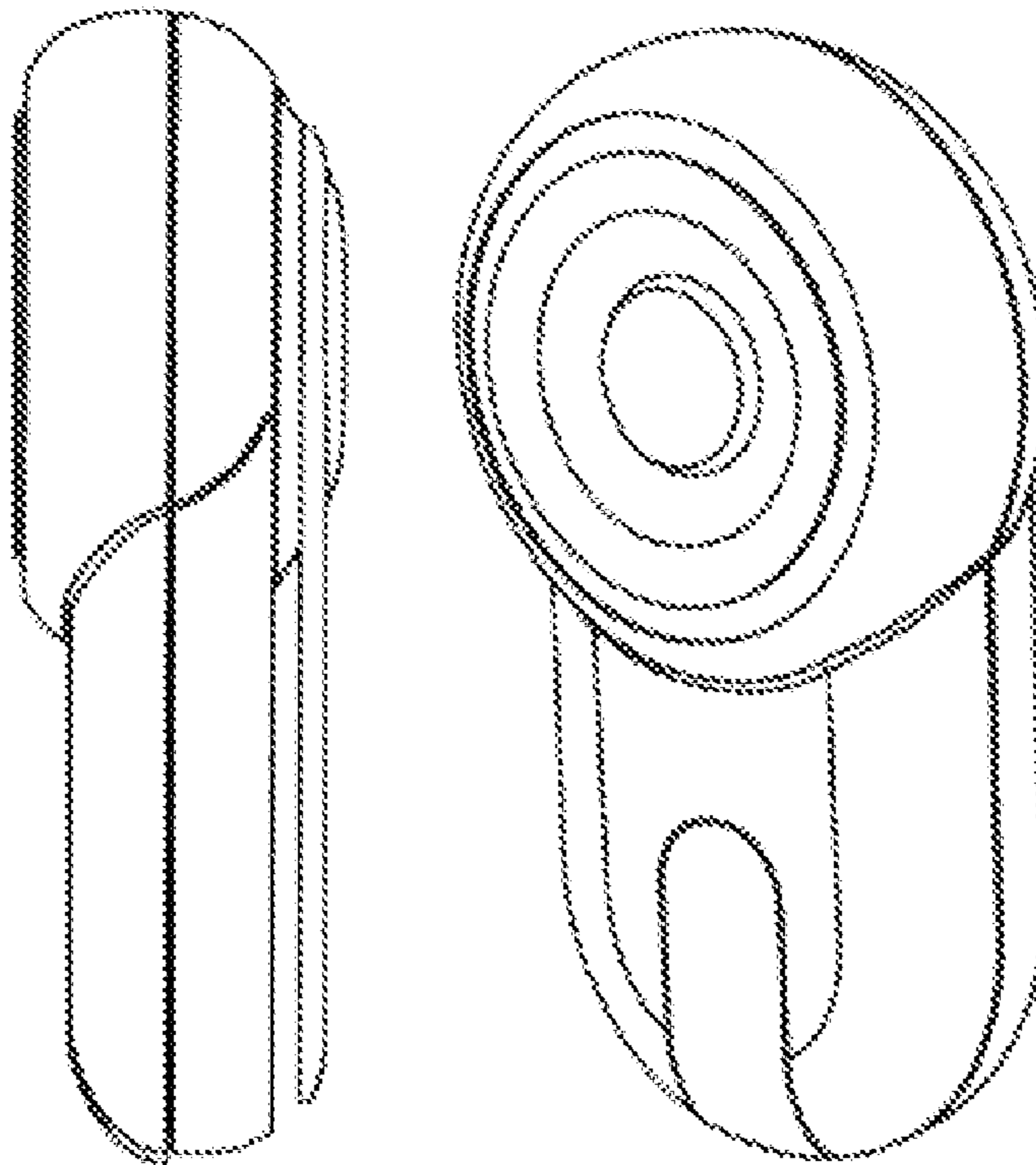
FIG. 6 is a back elevational view thereof; and,

U.S. PATENT DOCUMENTS

FIG. 7 is a bottom plan view thereof.

D278,134 S * 3/1985 Jenkins D10/114

1 Claim, 2 Drawing Sheets



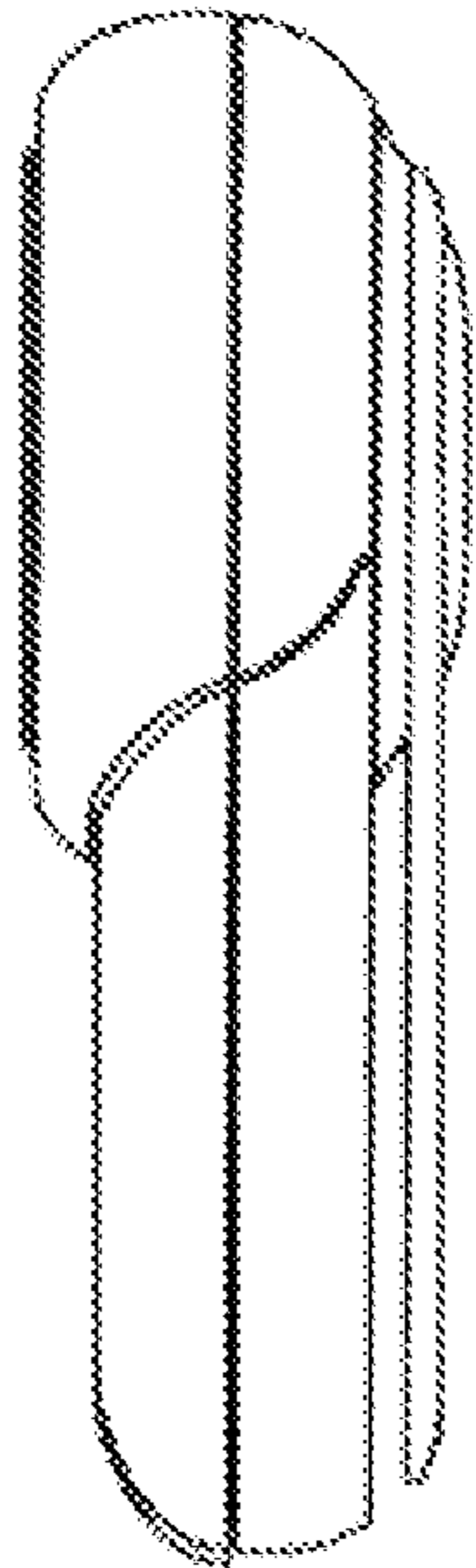


FIG. 1

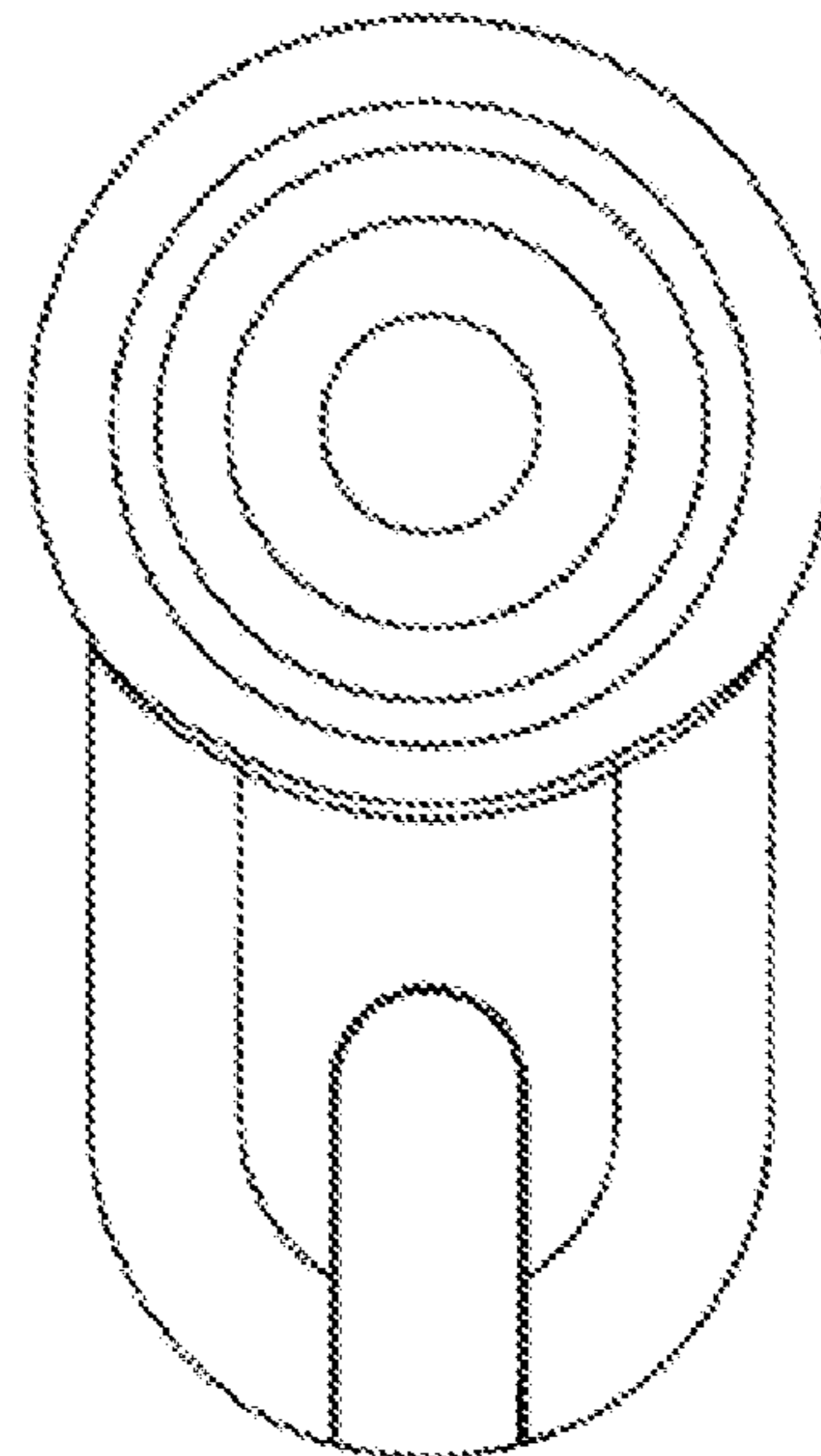


FIG. 2

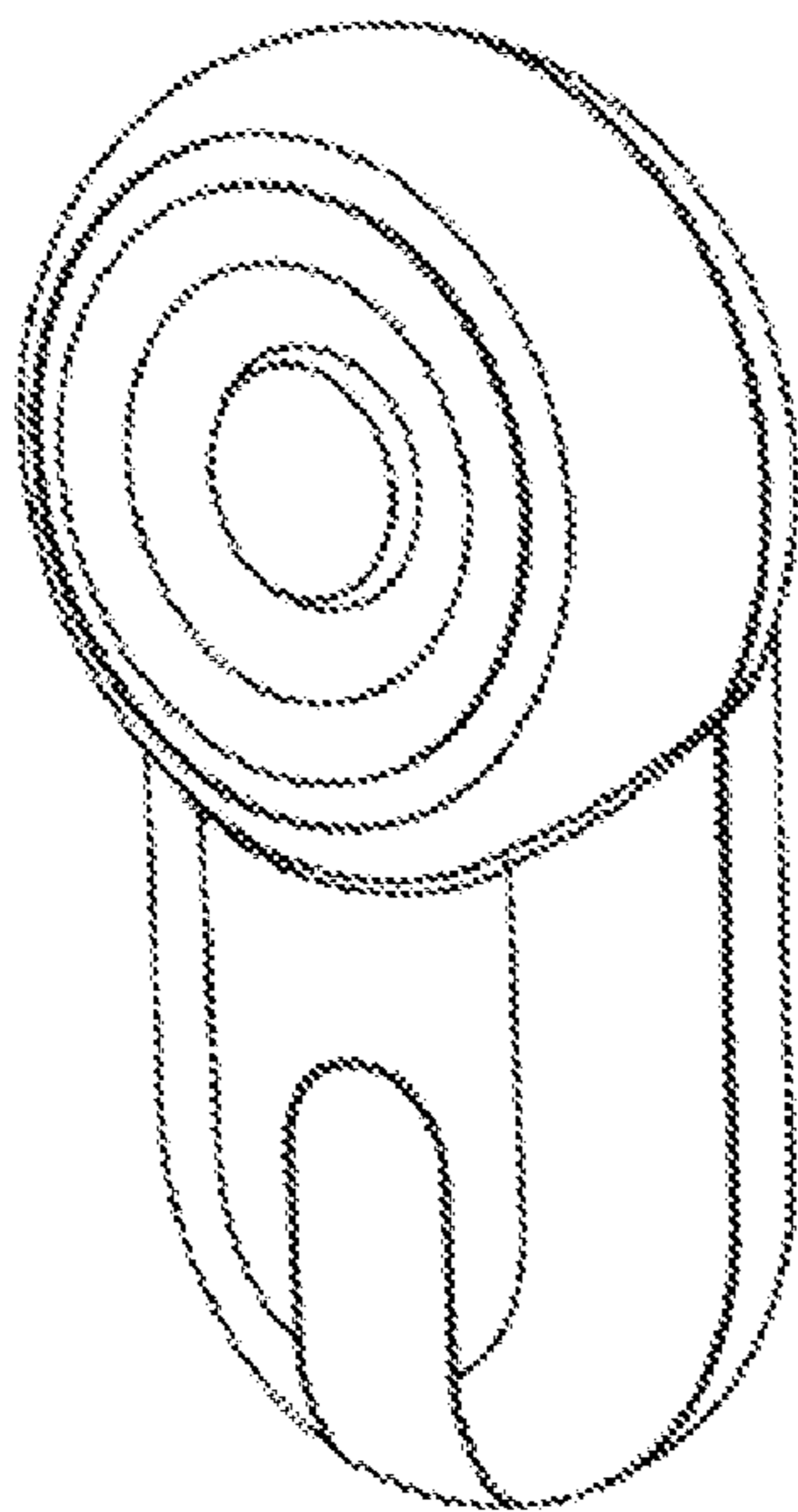


FIG. 3

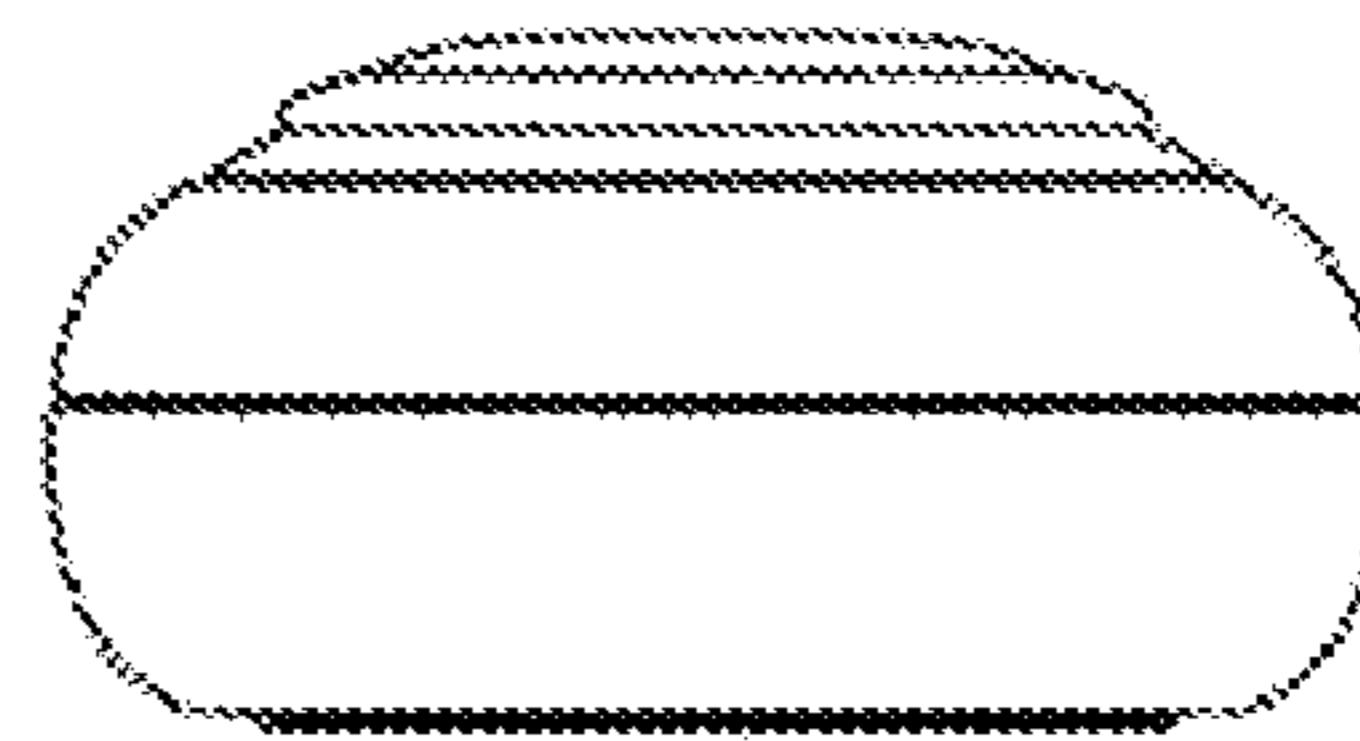


FIG. 4

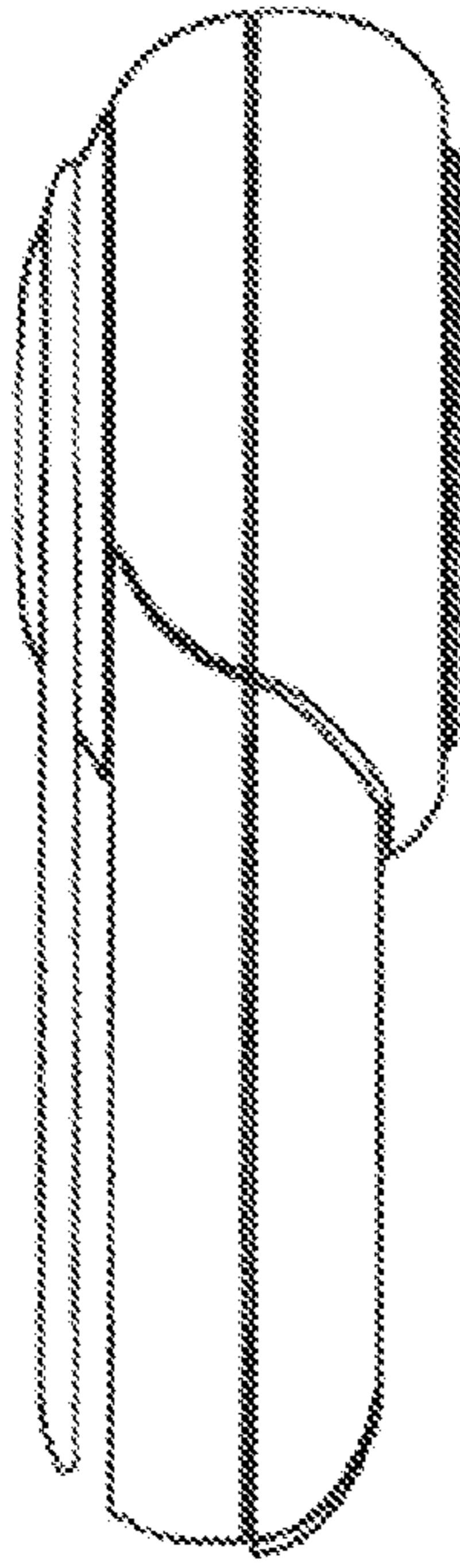


FIG. 5

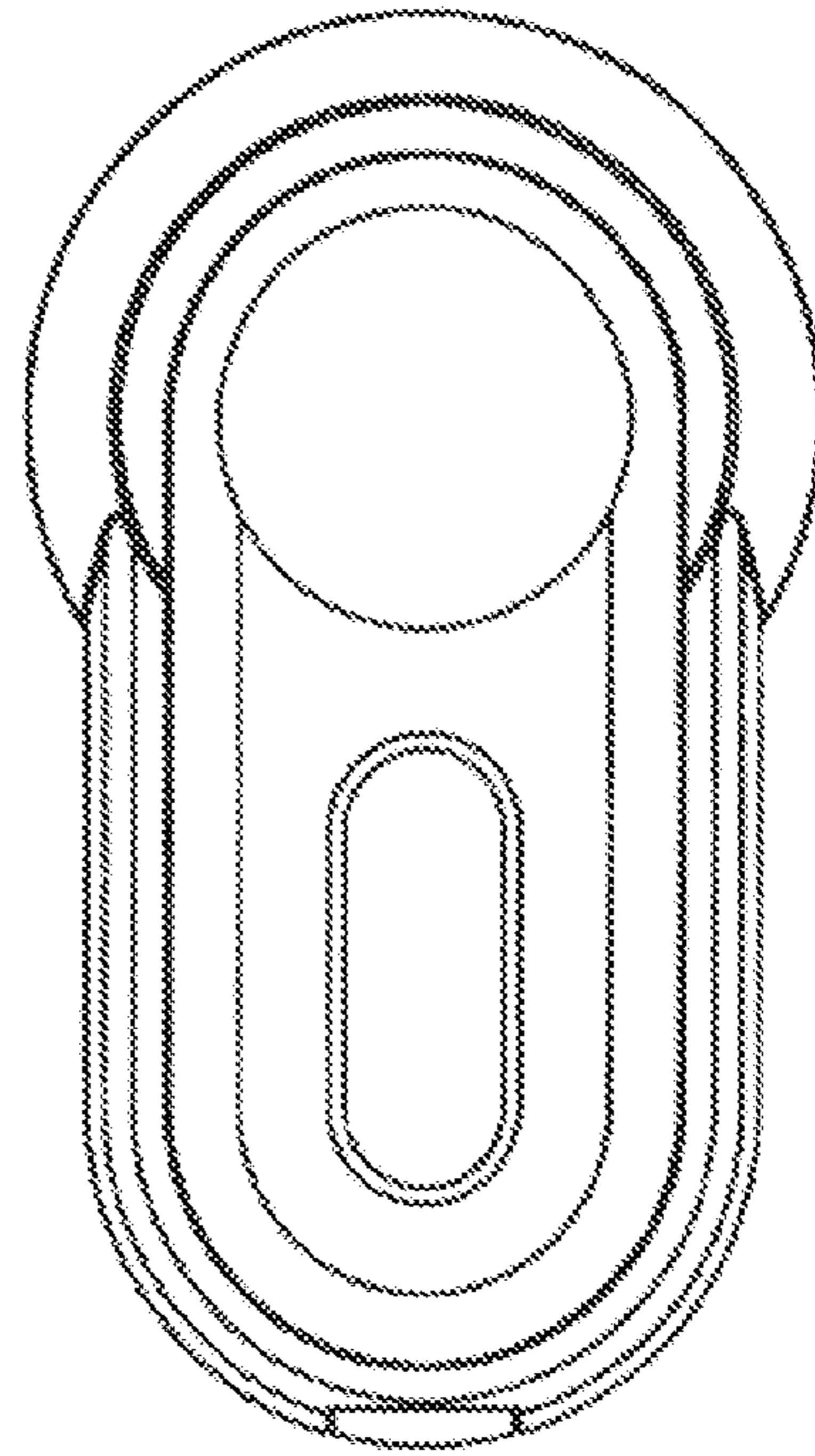


FIG. 6

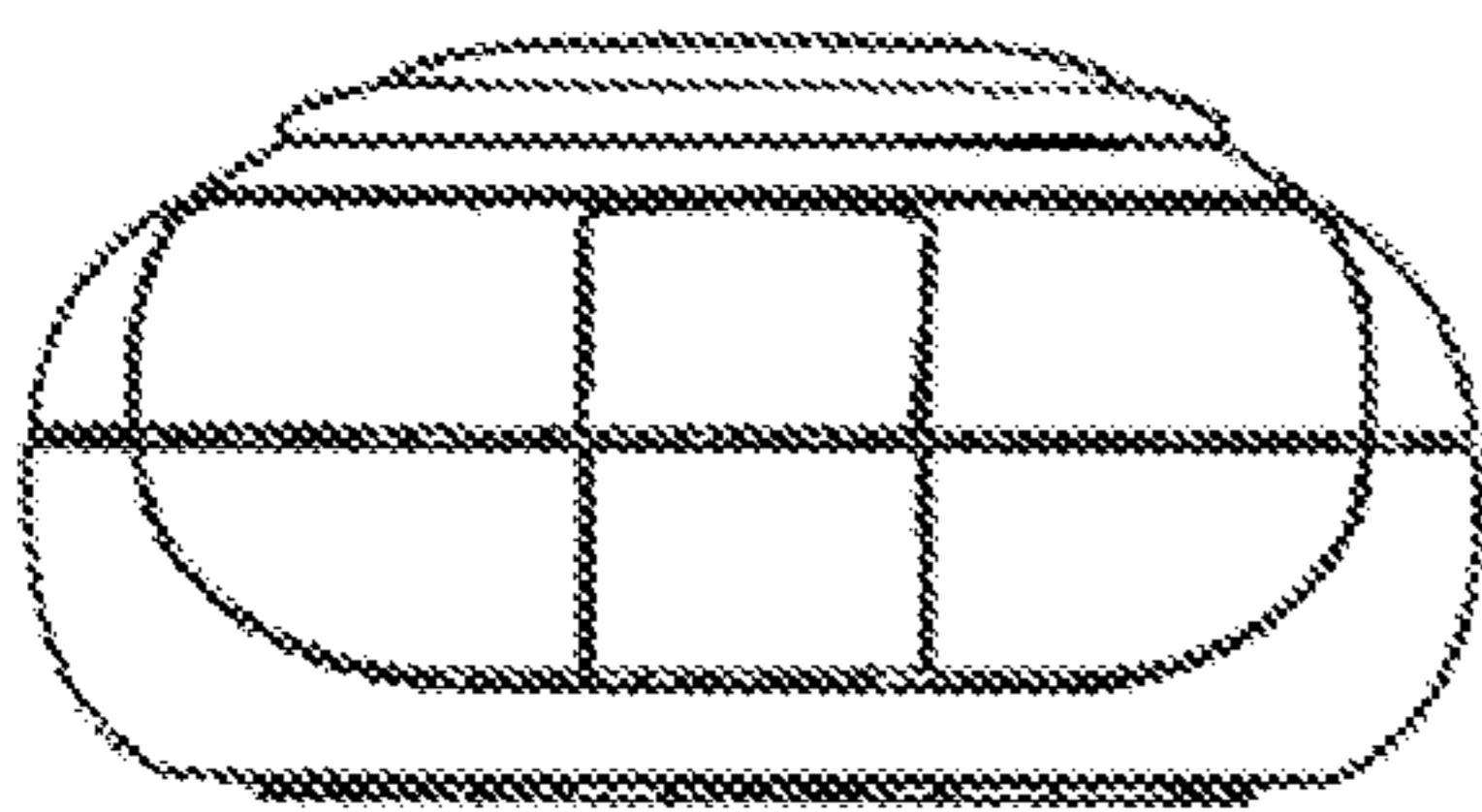


FIG. 7