



US00D605064S

(12) **United States Design Patent**
Karaki et al.

(10) **Patent No.:** **US D605,064 S**
(45) **Date of Patent:** **** Dec. 1, 2009**

(54) **FLOW CHANNEL MEMBER OF MICRO REACTOR FOR BIOCHEMICAL ANALYSIS**

(75) Inventors: **Hideyuki Karaki**, Minami-Ashigara (JP); **Akira Wakabayashi**, Minami-Ashigara (JP)

(73) Assignee: **Fujifilm Corporation**, Tokyo (JP)

(**) Term: **14 Years**

(21) Appl. No.: **29/321,828**

(22) Filed: **Jul. 24, 2008**

(30) **Foreign Application Priority Data**

Jan. 24, 2008 (JP) 2008-001278

(51) **LOC (9) Cl.** **10-04**

(52) **U.S. Cl.** **D10/103**

(58) **Field of Classification Search** D10/46, D10/81, 103; D24/224-227, 229, 230; 204/603, 204/604; 422/70, 108, 116, 145, 213, 50, 422/68.1, 81, 82.05, 947; 436/150, 52, 806
See application file for complete search history.

(56) **References Cited**

U.S. PATENT DOCUMENTS

D342,031 S * 12/1993 Richardson D10/81
5,480,614 A * 1/1996 Kamahori 422/70
D371,749 S * 7/1996 D'Orazio et al. D10/81

5,928,880 A * 7/1999 Wilding et al. 422/70
6,033,628 A * 3/2000 Kaltenbach et al. 422/68.1
6,264,892 B1 * 7/2001 Kaltenbach et al. 422/68.1
7,115,422 B1 * 10/2006 Gilton 436/178
7,302,970 B2 * 12/2007 Sugioka et al. 137/625.48
7,329,545 B2 * 2/2008 Pamula et al. 436/53

* cited by examiner

Primary Examiner—Antoine D Davis

(74) *Attorney, Agent, or Firm*—Young & Thompson

(57) **CLAIM**

The ornamental design for a flow channel member of micro reactor for biochemical analysis, as shown and described.

DESCRIPTION

FIG. 1 is a top, front and side perspective view of a flow channel member of micro reactor for biochemical analysis showing our new design;

FIG. 2 is a front elevational view thereof;

FIG. 3 is a partial expansion front view thereof;

FIG. 4 is a cross-sectional view along a line IV—IV thereof; and,

FIG. 5 is a perspective view thereof in a manner of use.

The portions of the flow channel member of micro reactor for biochemical analysis in broken lines are shown for illustrative purposes only and form no part of the claimed design.

1 Claim, 5 Drawing Sheets

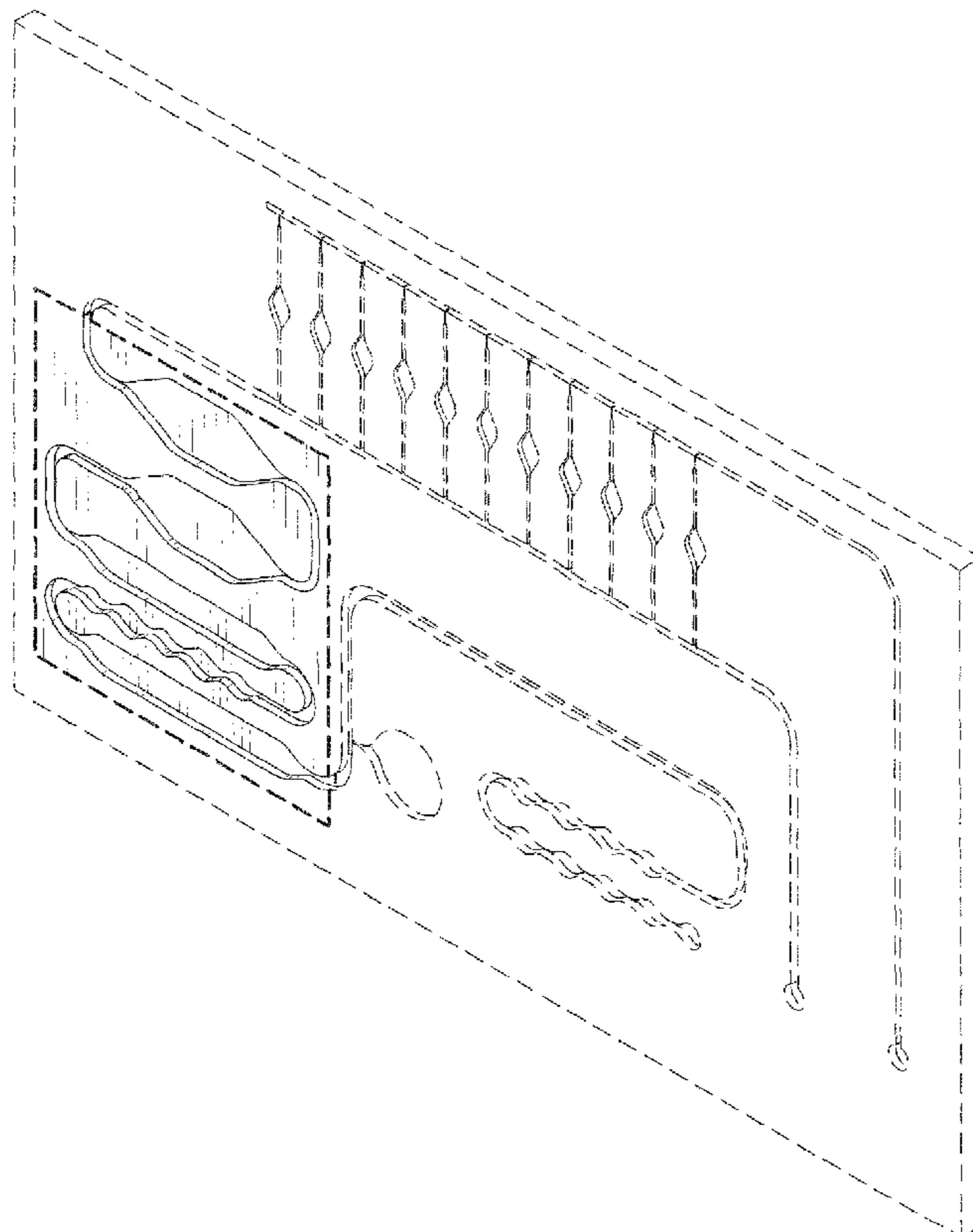


FIG. 1

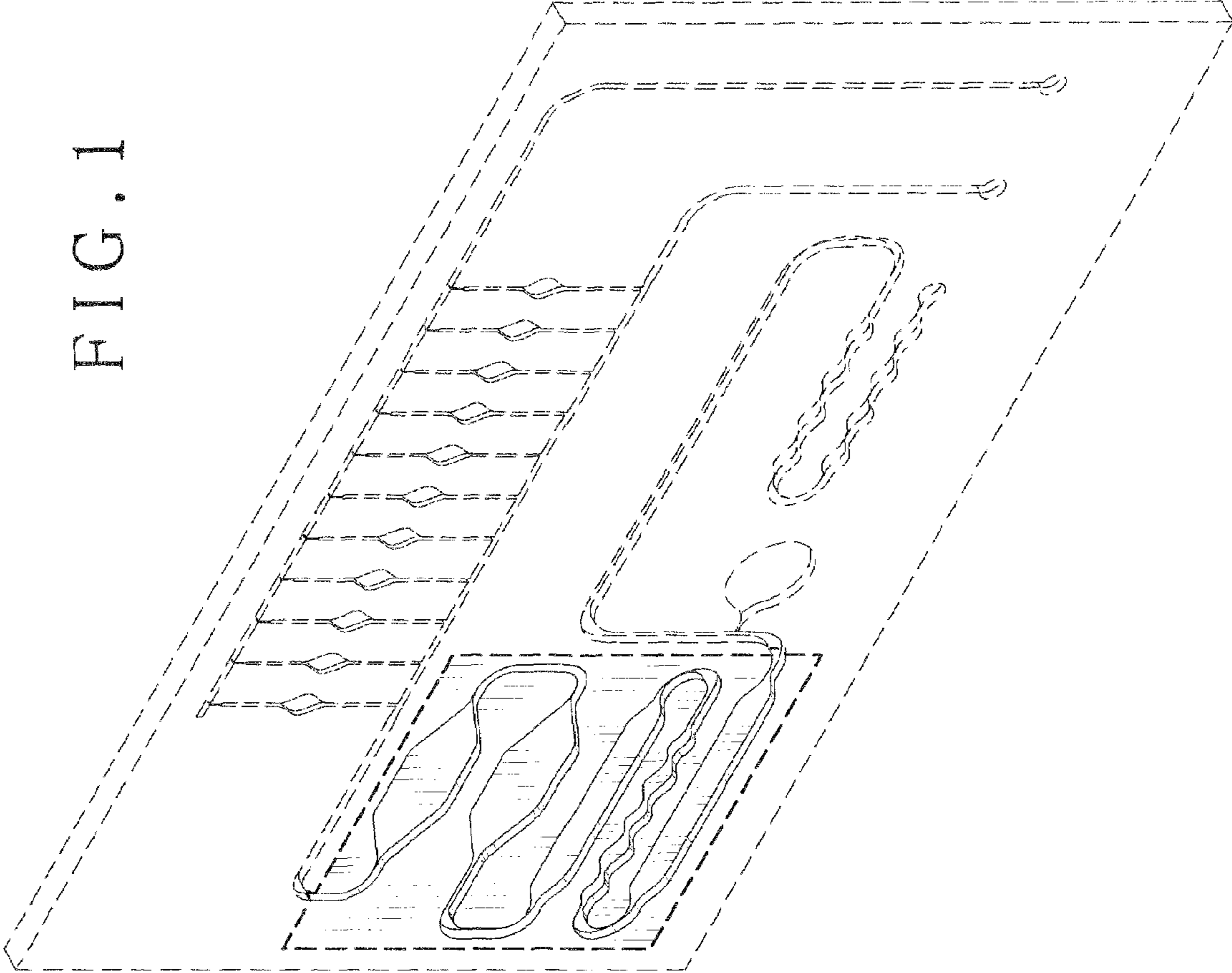


FIG. 3

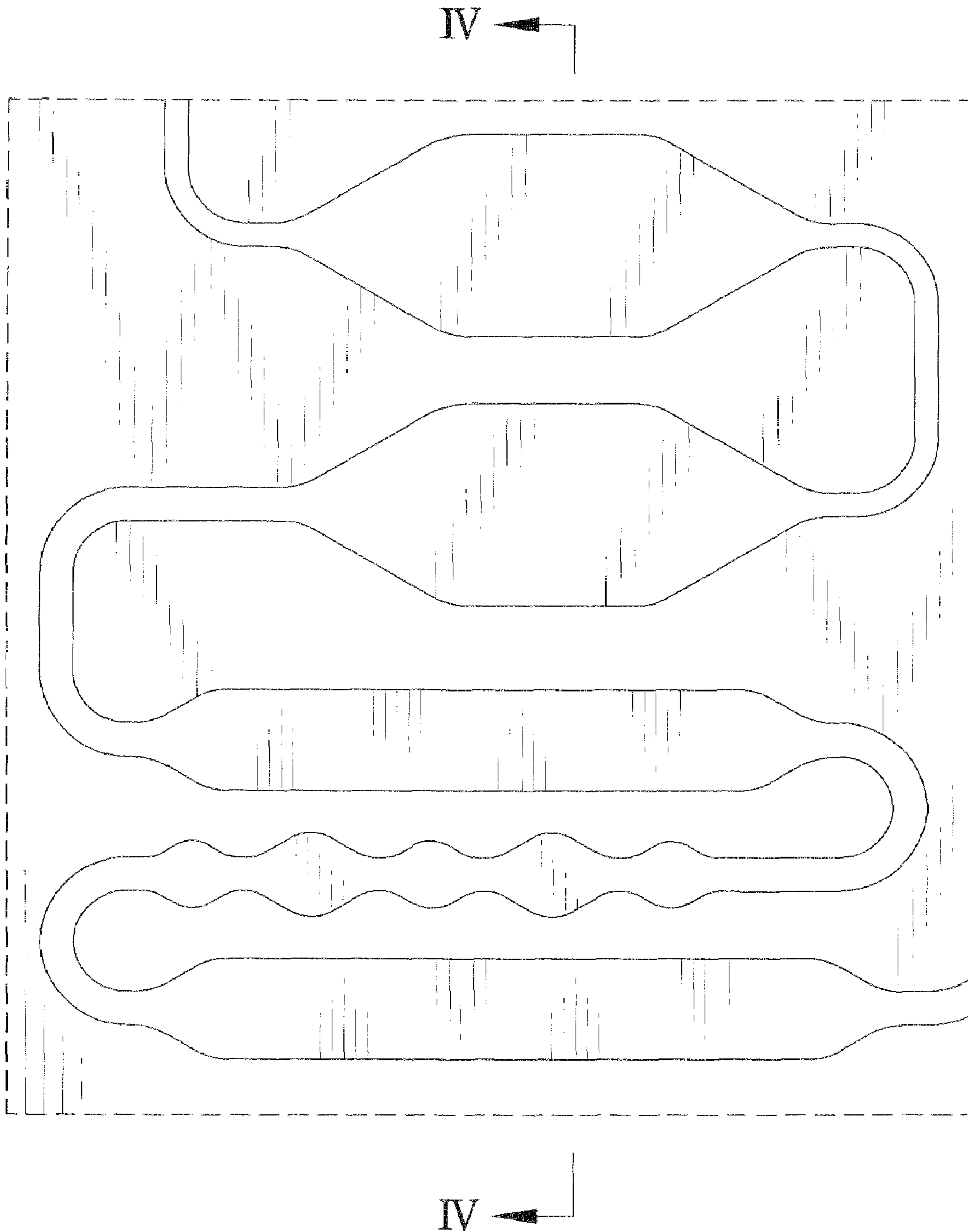


FIG. 4



FIG. 5

