



US00D605062S

(12) **United States Design Patent**
Matsumoto

(10) **Patent No.:** **US D605,062 S**

(45) **Date of Patent:** **** Dec. 1, 2009**

(54) **TIME RECORDER**

(75) Inventor: **Satoru Matsumoto**, Chiba (JP)

(73) Assignee: **SEIKO Precision Inc.** (JP)

(**) Term: **14 Years**

(21) Appl. No.: **29/331,352**

(22) Filed: **Jan. 23, 2009**

(30) **Foreign Application Priority Data**

Jul. 28, 2008 (JP) D2008-019326

(51) **LOC (9) Cl.** **10-03**

(52) **U.S. Cl.** **D10/41**

(58) **Field of Classification Search** D10/41,
D10/40, 15, 122, 128; 235/377; 346/20,
346/80–88, 95, 96

See application file for complete search history.

(56) **References Cited**

U.S. PATENT DOCUMENTS

D112,991 S *	1/1939	Faris	D10/41
2,338,180 A *	1/1944	Harrison	346/48
D161,941 S *	2/1951	Kress	D10/41
2,591,448 A *	4/1952	Lorenz	235/377
D178,597 S *	8/1956	Cooper	D10/41
2,824,777 A *	2/1958	Gieringer	346/83
2,922,687 A *	1/1960	Cooper	346/66
D201,894 S *	8/1965	Kress	D10/41
D210,089 S *	2/1968	Vickery	D10/41
3,611,423 A *	10/1971	Rutsche	346/86
3,638,233 A *	1/1972	Futter	346/82
3,942,182 A *	3/1976	Sato	346/53
4,003,307 A *	1/1977	Sano et al.	101/45
4,381,511 A *	4/1983	Suzuki	346/20
4,516,138 A *	5/1985	Iwasawa et al.	346/80
D298,921 S *	12/1988	Berry et al.	D10/41
D304,162 S *	10/1989	Calkins	D10/41
4,899,173 A *	2/1990	Elliano	346/82
D368,037 S *	3/1996	Staubitz et al.	D10/41

5,793,707 A *	8/1998	Gauthier et al.	368/10
5,988,056 A *	11/1999	Bolch	101/72
6,061,303 A *	5/2000	Gauthier et al.	368/10
6,560,166 B1 *	5/2003	Saito et al.	368/47
6,817,537 B2 *	11/2004	Watanabe et al.	235/494
D553,513 S *	10/2007	Takeda et al.	D10/41
D553,514 S *	10/2007	Tanaka et al.	D10/41

OTHER PUBLICATIONS

3500 Time Recorder, <http://www.pyramidtechnologies.com/ProductslorproductView.aso?ProductID=13&tim>, Published at least prior to mid-Dec. 2008, Pyramid Technologies.

* cited by examiner

Primary Examiner—Lucy Lieberman

(74) *Attorney, Agent, or Firm*—Saidman DesignLaw Group

(57) **CLAIM**

The ornamental design for a time recorder, as shown and described.

DESCRIPTION

FIG. 1 is a perspective view of a time recorder;

FIG. 2 is a bottom perspective view thereof;

FIG. 3 is a front view thereof;

FIG. 4 is a rear view thereof;

FIG. 5 is a left side view thereof;

FIG. 6 is a right side view thereof;

FIG. 7 is a top plan view thereof;

FIG. 8 is a bottom plan view thereof; and,

FIG. 9 is a sectional view thereof showing the sectioned surface of the portion taken along line 9—9.

The broken lines showing on the drawing disclosure are for illustrative purposes only and form no part of the claimed design. The lines consisting of long lines and dots indicate conceptual border lines between the claimed portions and the disclaimed portions.

1 Claim, 9 Drawing Sheets

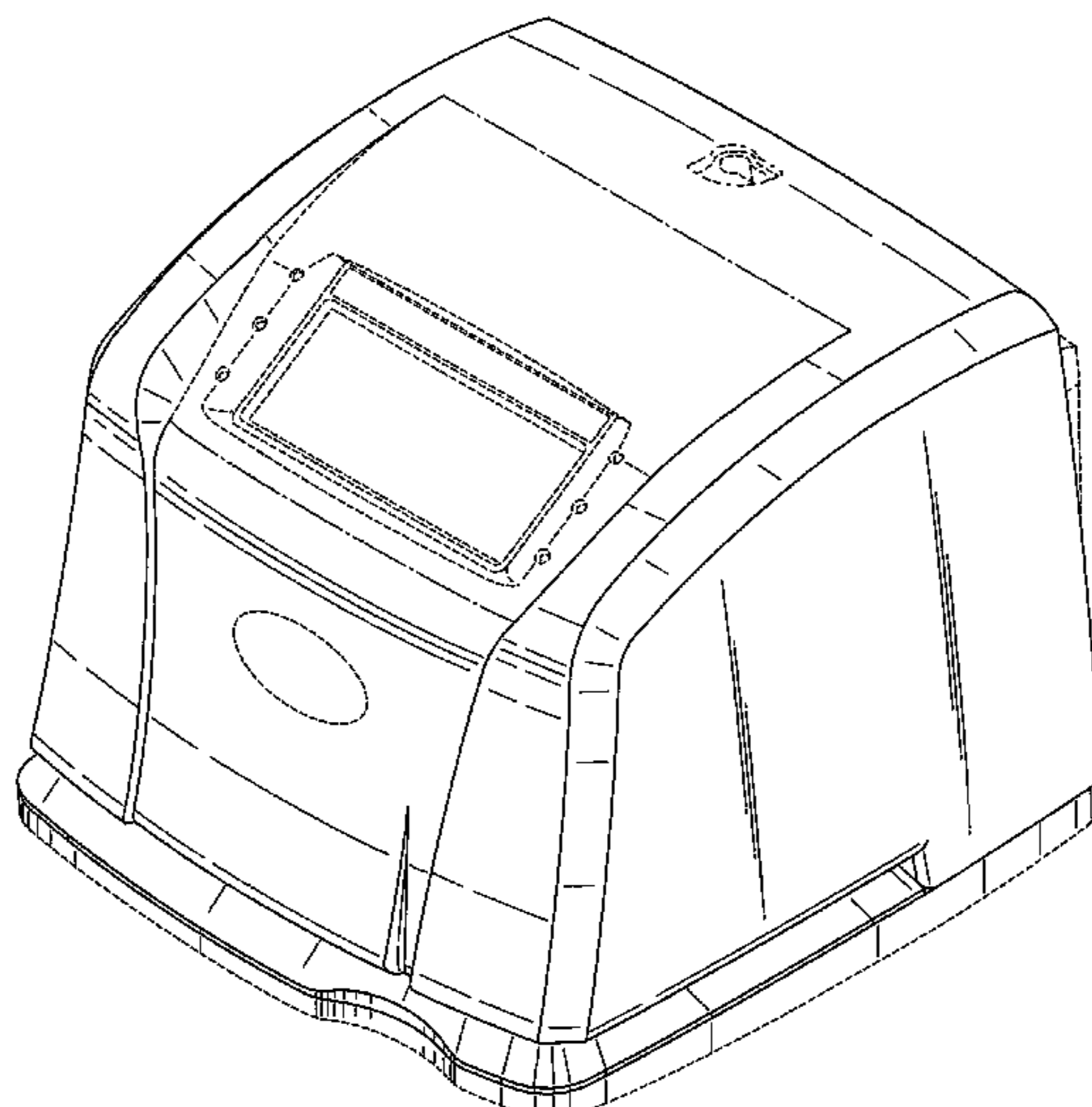


Fig.1

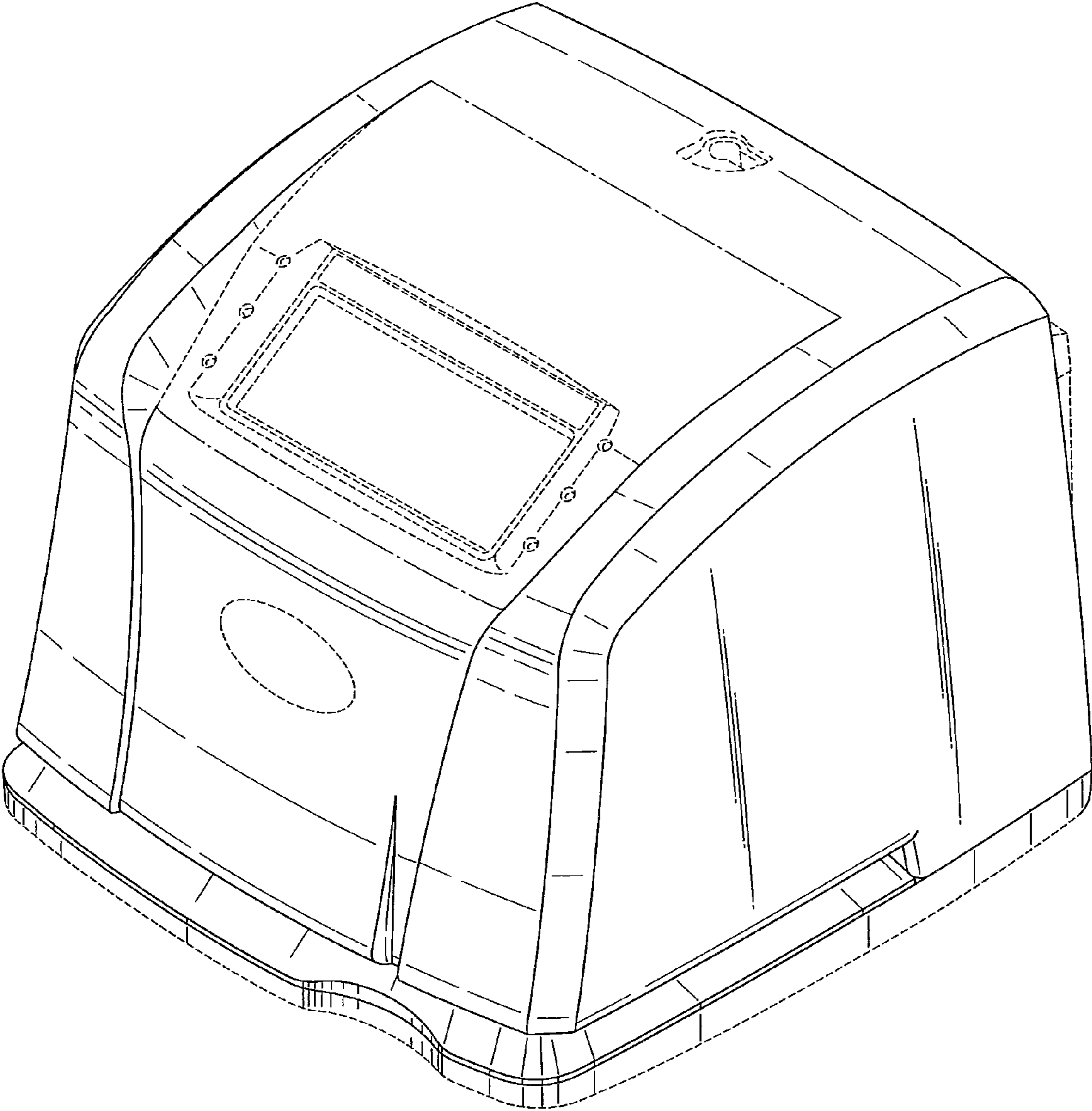


Fig.2

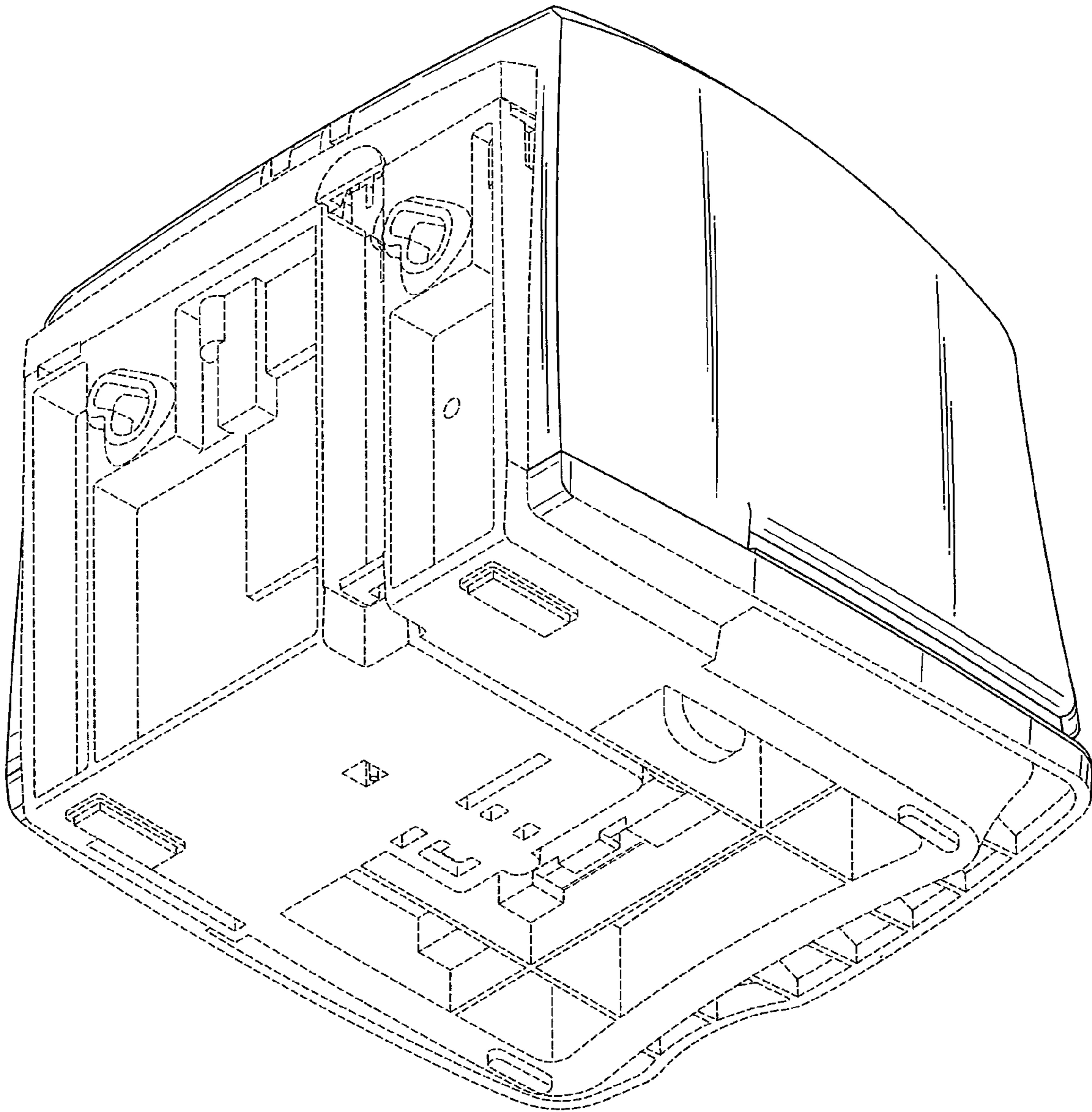


Fig.3

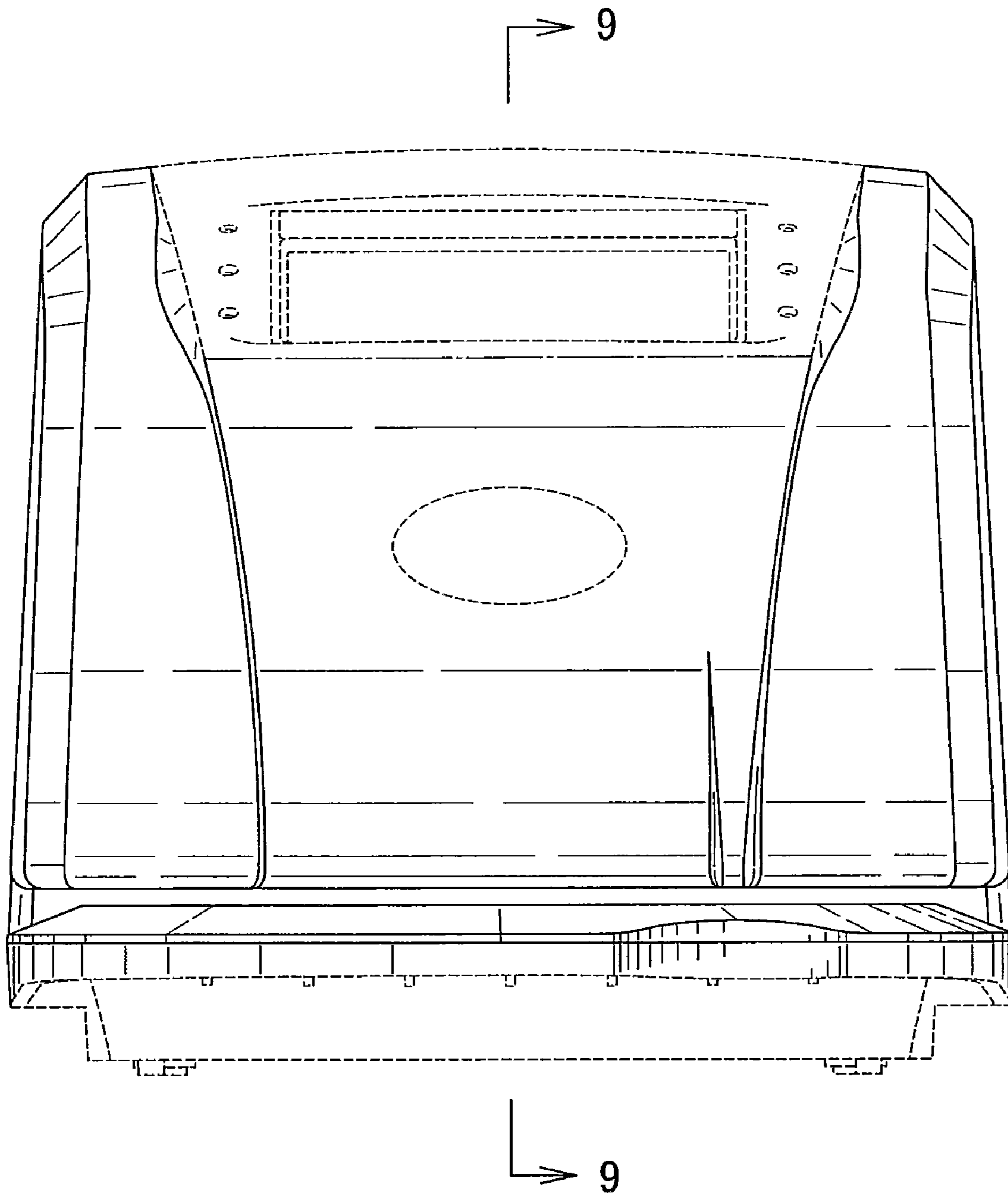


Fig.4

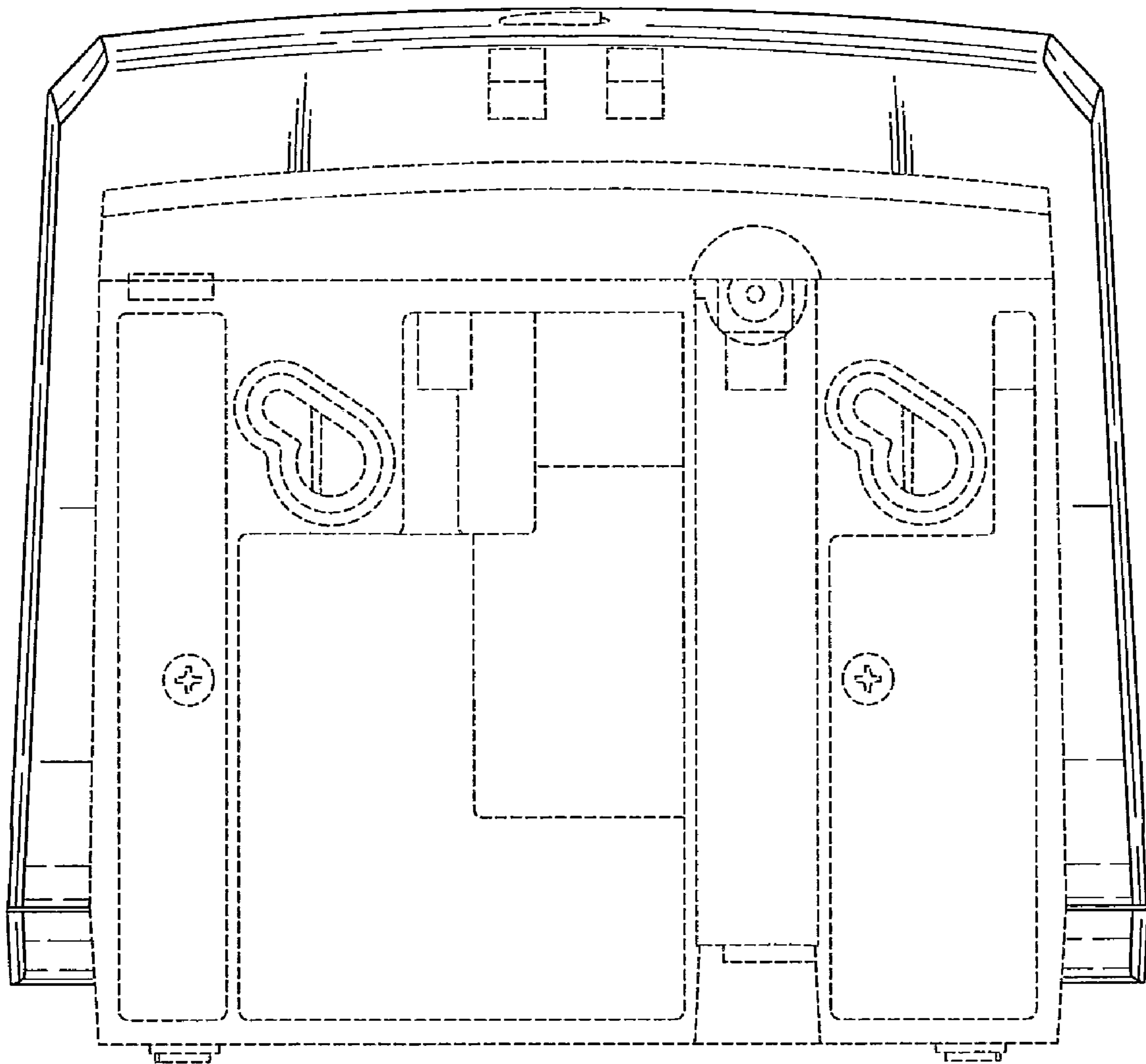


Fig.5

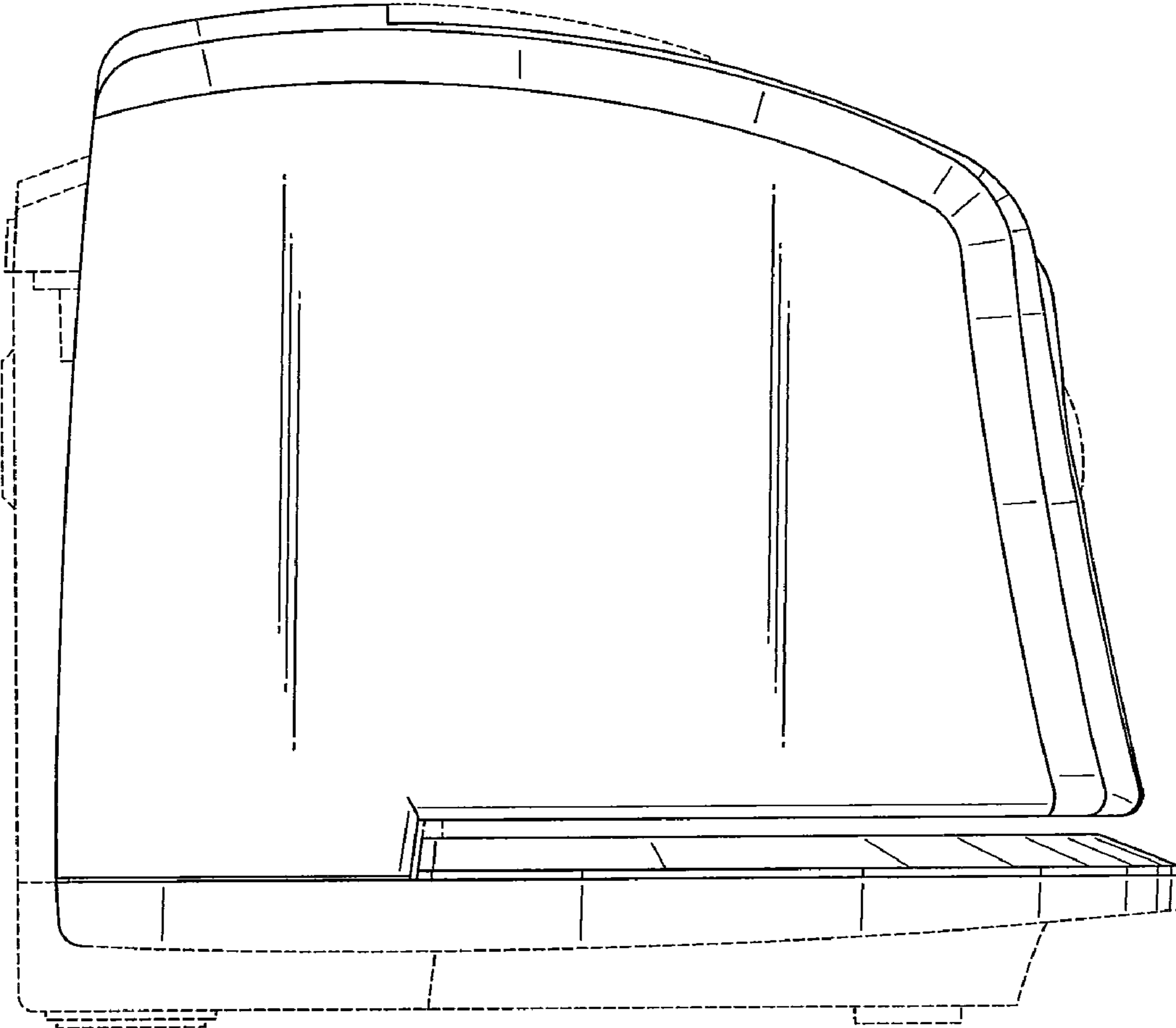


Fig.6

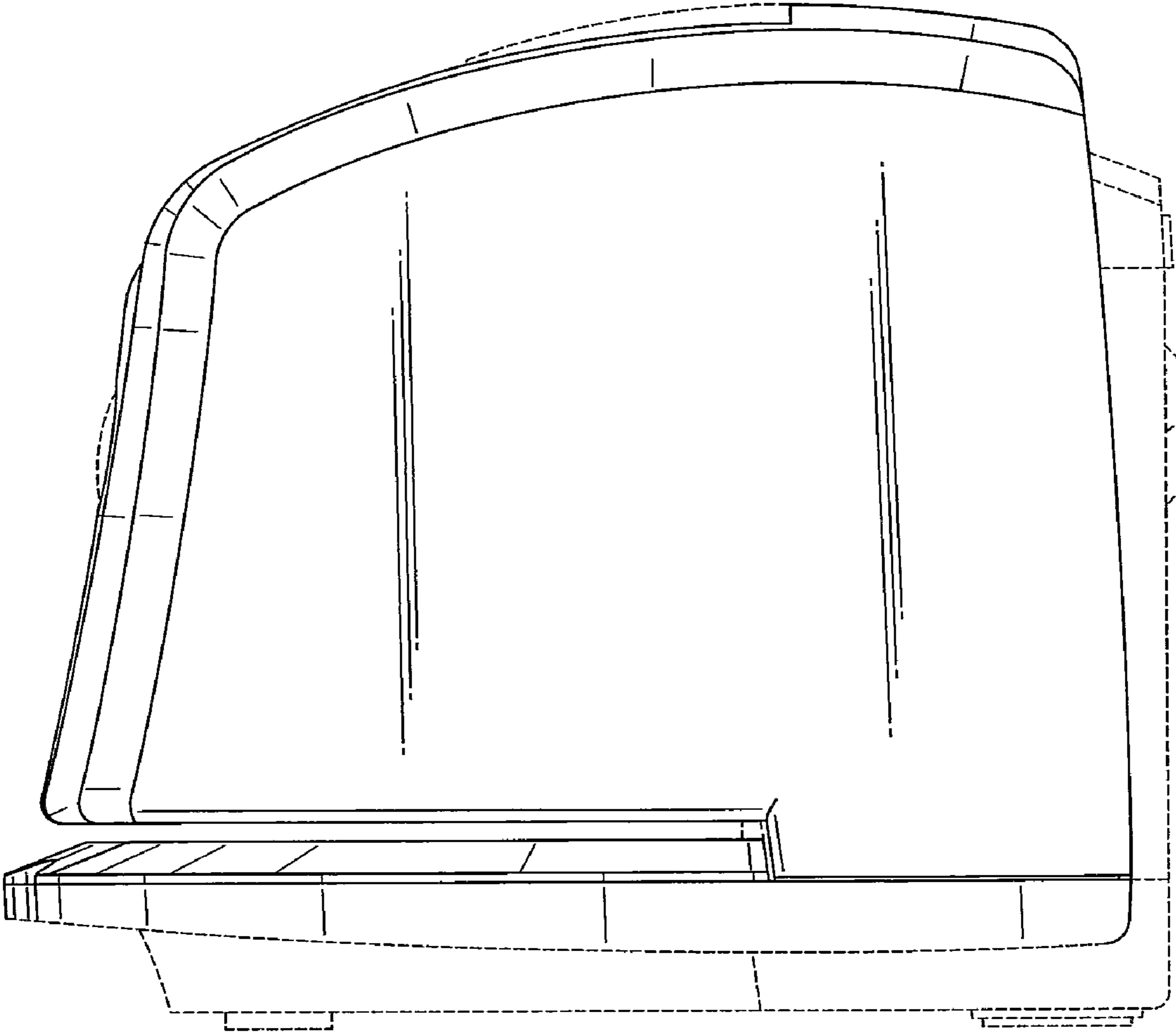


Fig.7

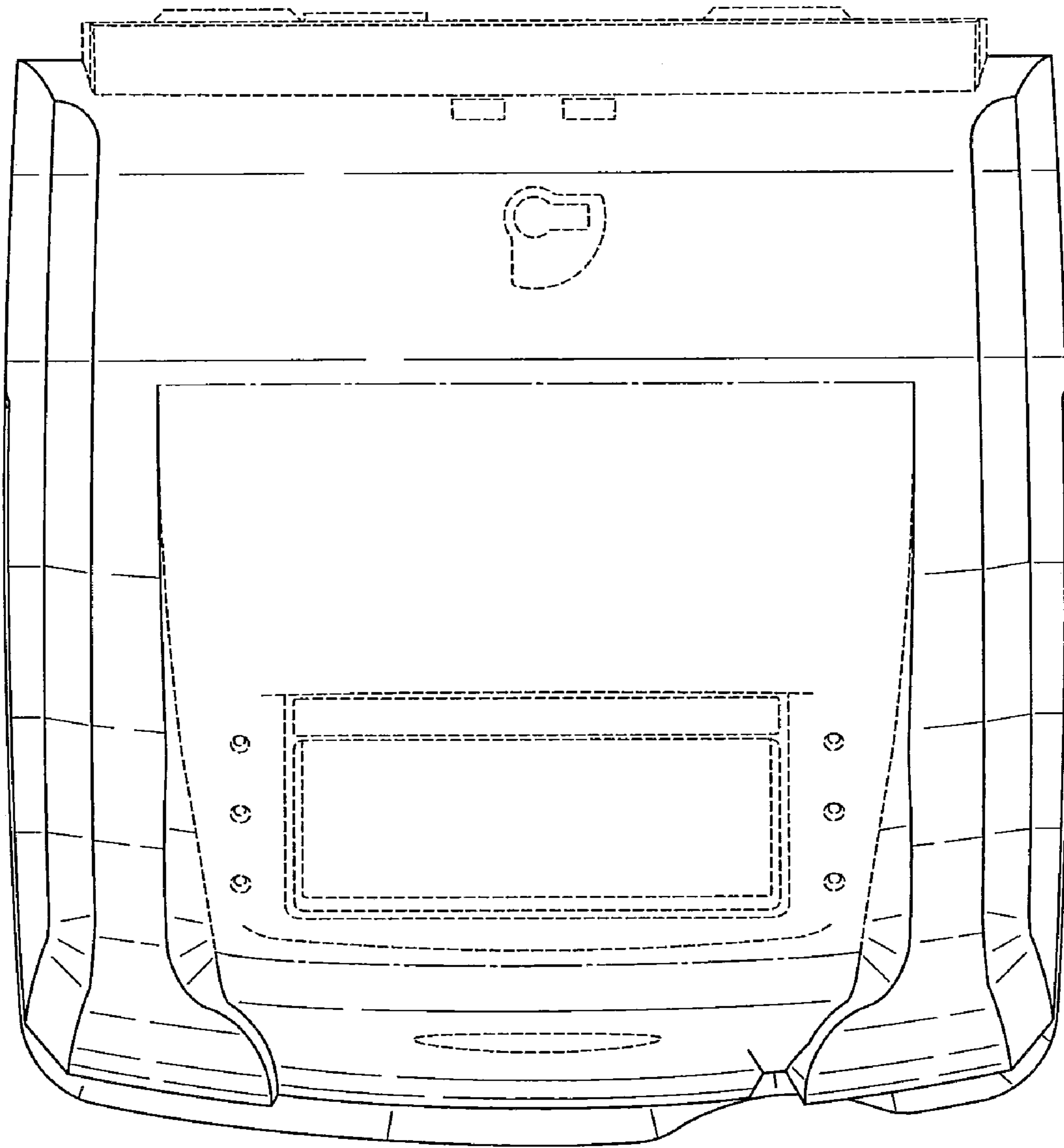


Fig.8

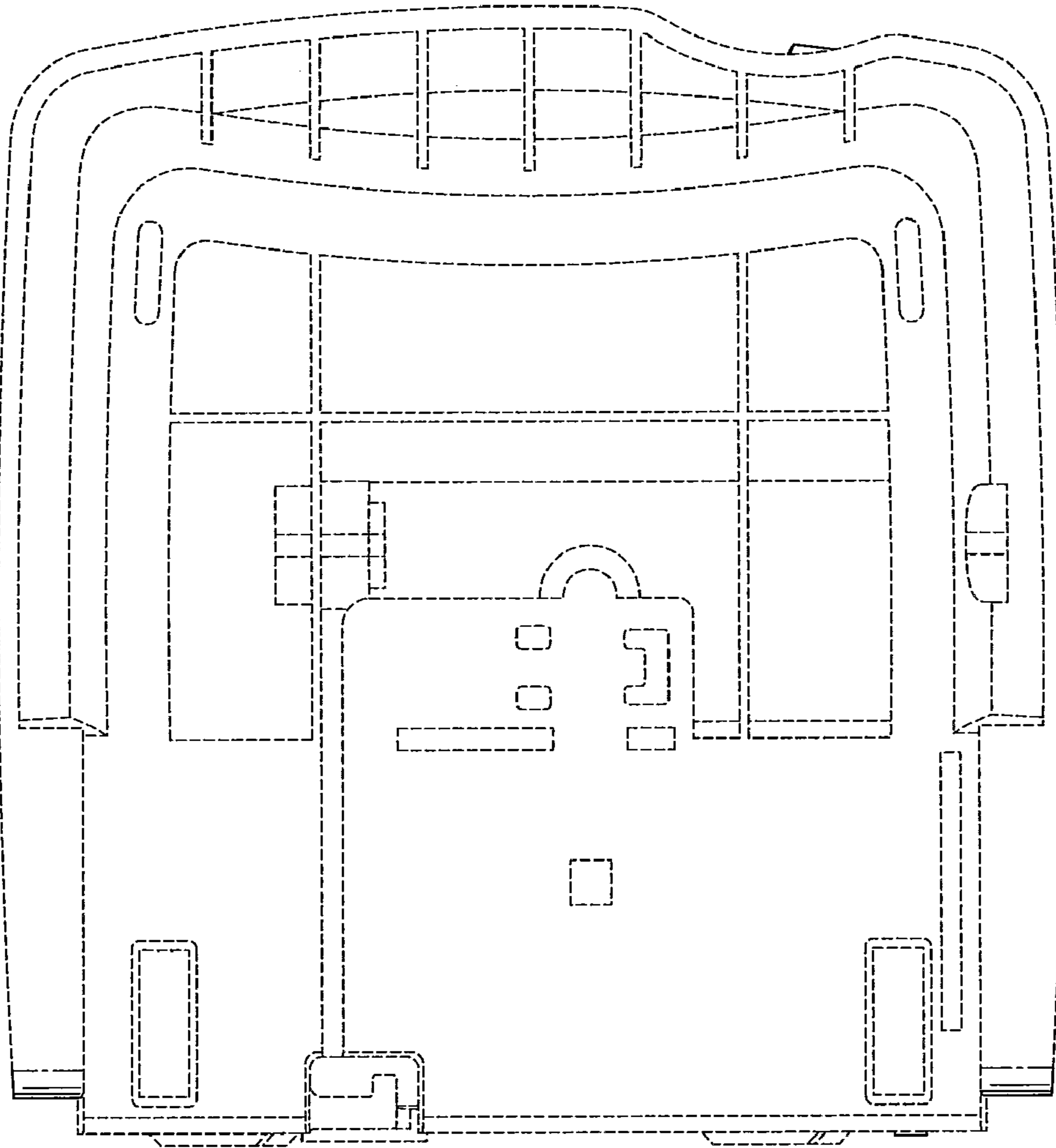


Fig.9

