



US00D605061S

(12) **United States Design Patent**
Moreno

(10) **Patent No.:** **US D605,061 S**

(45) **Date of Patent:** **** Dec. 1, 2009**

(54) **CONTAINER**

(76) **Inventor:** **Vladimir Moreno**, Rua Isabel Oliveira de Melo, 461, Portal do Paraiso II, CEP 13214 480, Jundiai - São Paulo (BR)

(**) **Term:** **14 Years**

(21) **Appl. No.:** **29/291,539**

(22) **Filed:** **Sep. 5, 2007**

(51) **LOC (9) Cl.** **09-03**

(52) **U.S. Cl.** **D9/777**

(58) **Field of Classification Search** D9/428,
D9/500-504, 763, 772, 776-781; D7/601;
D28/4, 9, 76, 82, 91; 215/235, 542, 321,
215/581, 823; 220/4.27, 297, 521, 784, 789
See application file for complete search history.

(56) **References Cited**

U.S. PATENT DOCUMENTS

D249,640 S *	9/1978	Edwards	D9/778
D305,303 S *	1/1990	Saunders	D9/780
D321,318 S *	11/1991	Gunter	D9/780
D353,094 S *	12/1994	Labrie	D9/428
D446,456 S *	8/2001	Adachi et al.	D9/529
D505,074 S *	5/2005	Bakic	D9/504
D510,024 S *	9/2005	Jacober et al.	D9/502
D530,613 S *	10/2006	Farrow et al.	D9/502
D531,056 S *	10/2006	Ioannides et al.	D9/776
D537,366 S *	2/2007	Pedersen	D9/776

D542,153 S *	5/2007	Farrow et al.	D9/779
D546,706 S *	7/2007	Ioannides et al.	D9/777
D546,707 S *	7/2007	Ioannides et al.	D9/777

* cited by examiner

Primary Examiner—Stella M Reid

Assistant Examiner—Shanda C Hill

(74) *Attorney, Agent, or Firm*—Douglas S. Bishop

(57) **CLAIM**

The ornamental design for a container, as shown.

DESCRIPTION

FIG. 1 is a bottom, side perspective view of a container, showing my new design;

FIG. 2 is a top, side perspective view thereof;

FIG. 3 is a bottom, front, side perspective view thereof;

FIG. 4 is a bottom, back, side perspective view thereof;

FIG. 5 is another bottom, side perspective view thereof;

FIG. 6 is another top, side perspective view thereof;

FIG. 7 is a side elevational view thereof;

FIG. 8 is a another top, side elevational view thereof;

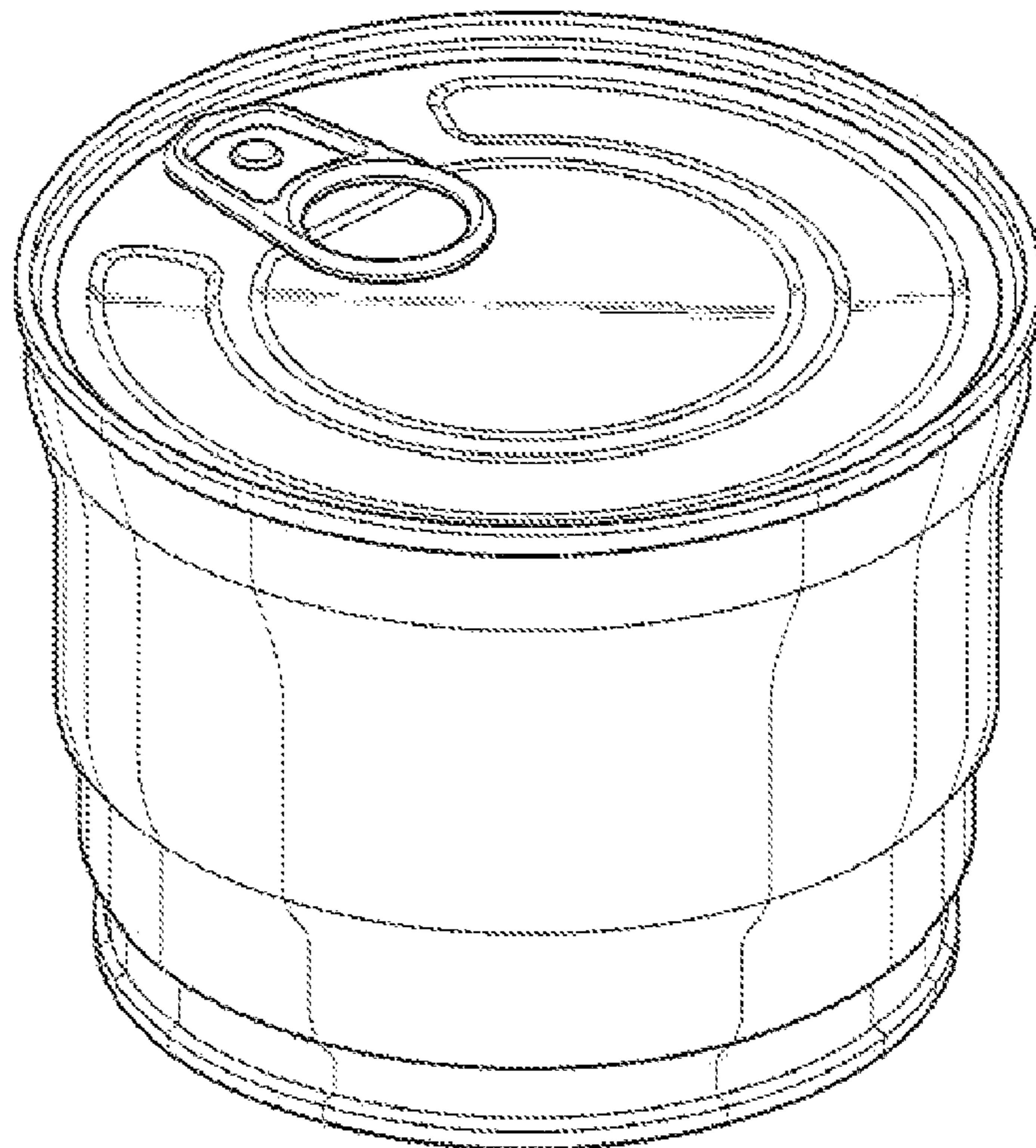
FIG. 9 is another bottom, side perspective view;

FIG. 10 is another bottom, side perspective view;

FIG. 11 is another top, side perspective view thereof; and,

FIG. 12 is another top, side perspective view thereof.

1 Claim, 6 Drawing Sheets



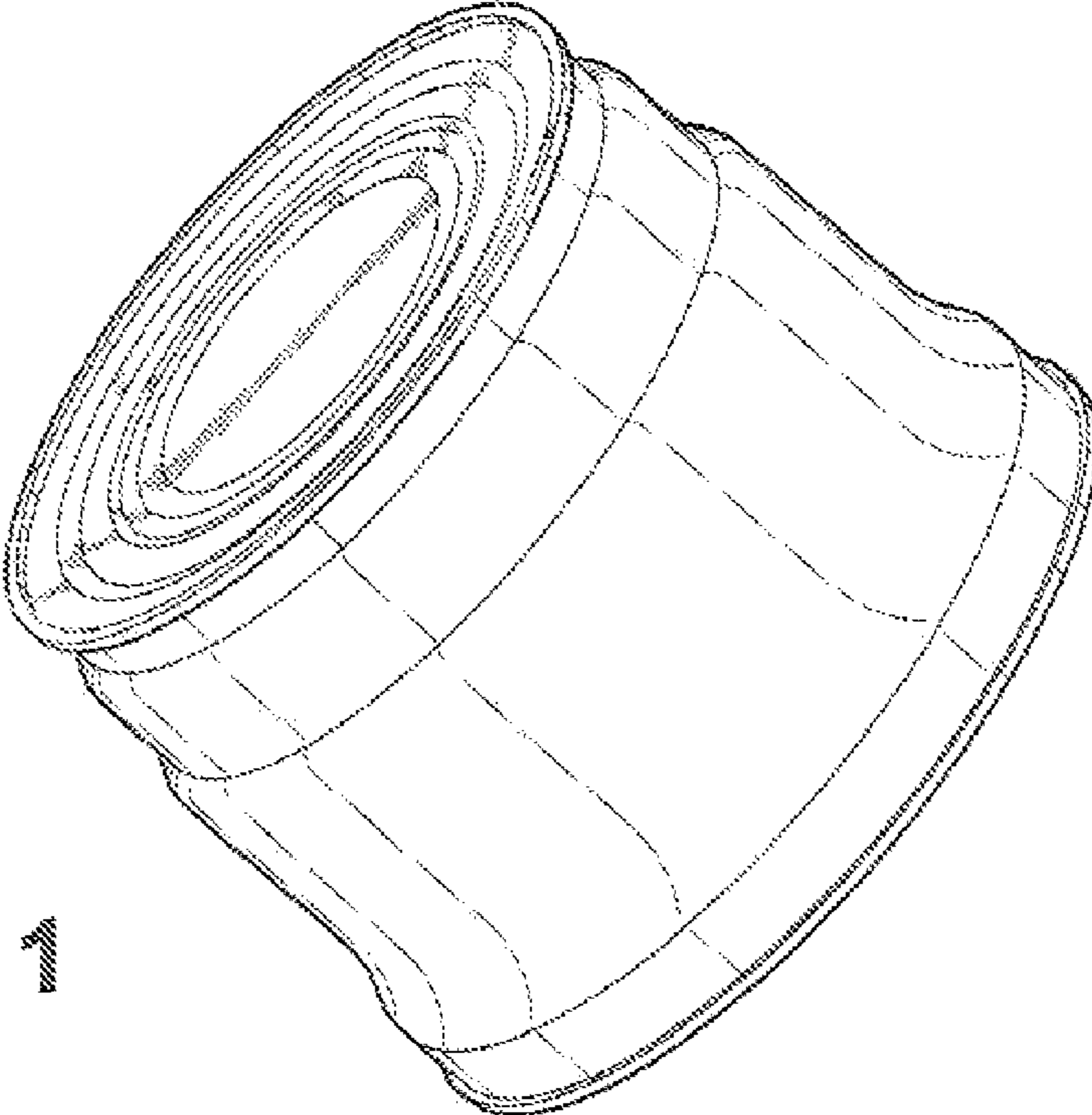


FIG. 1

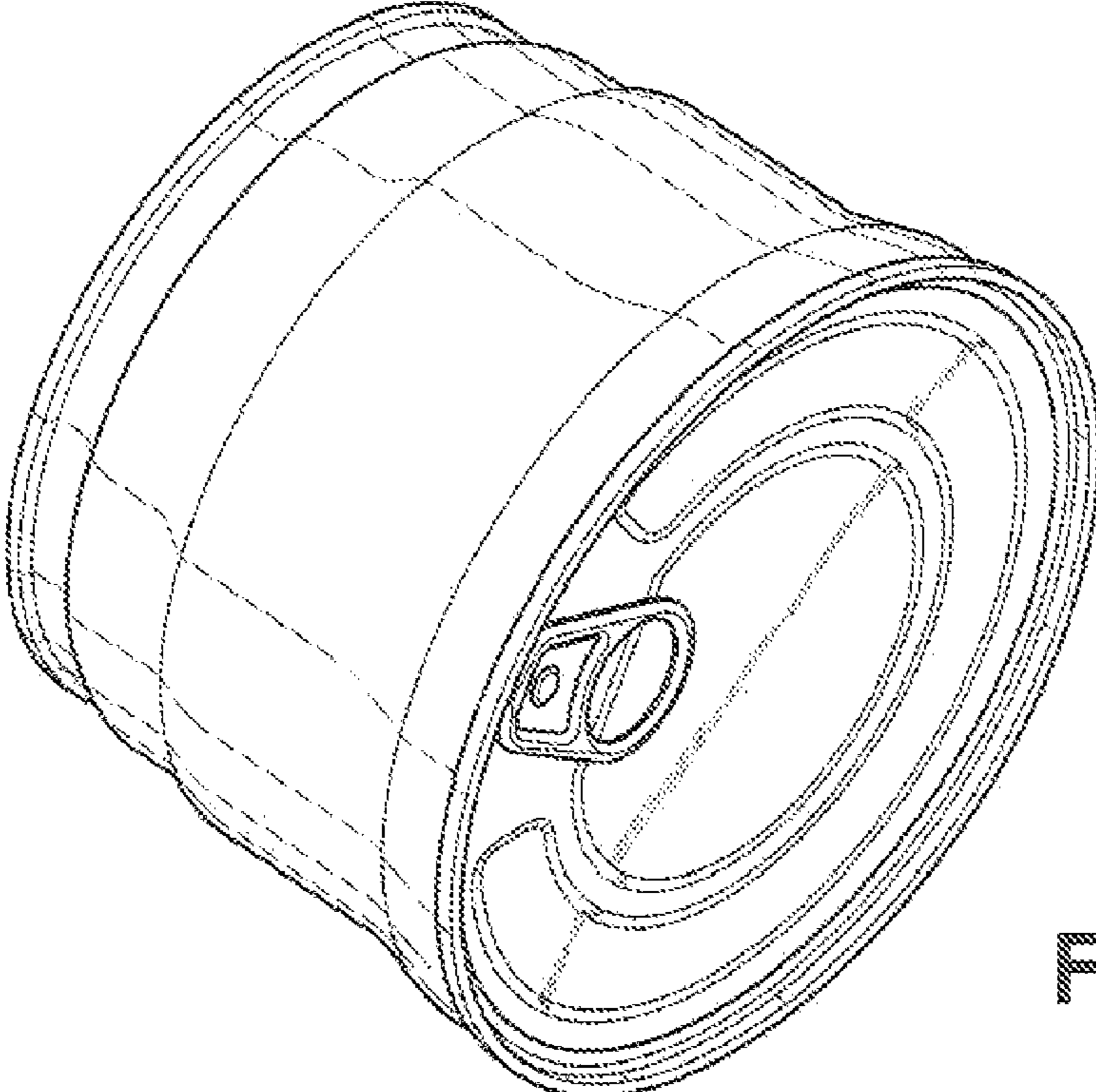


FIG. 2

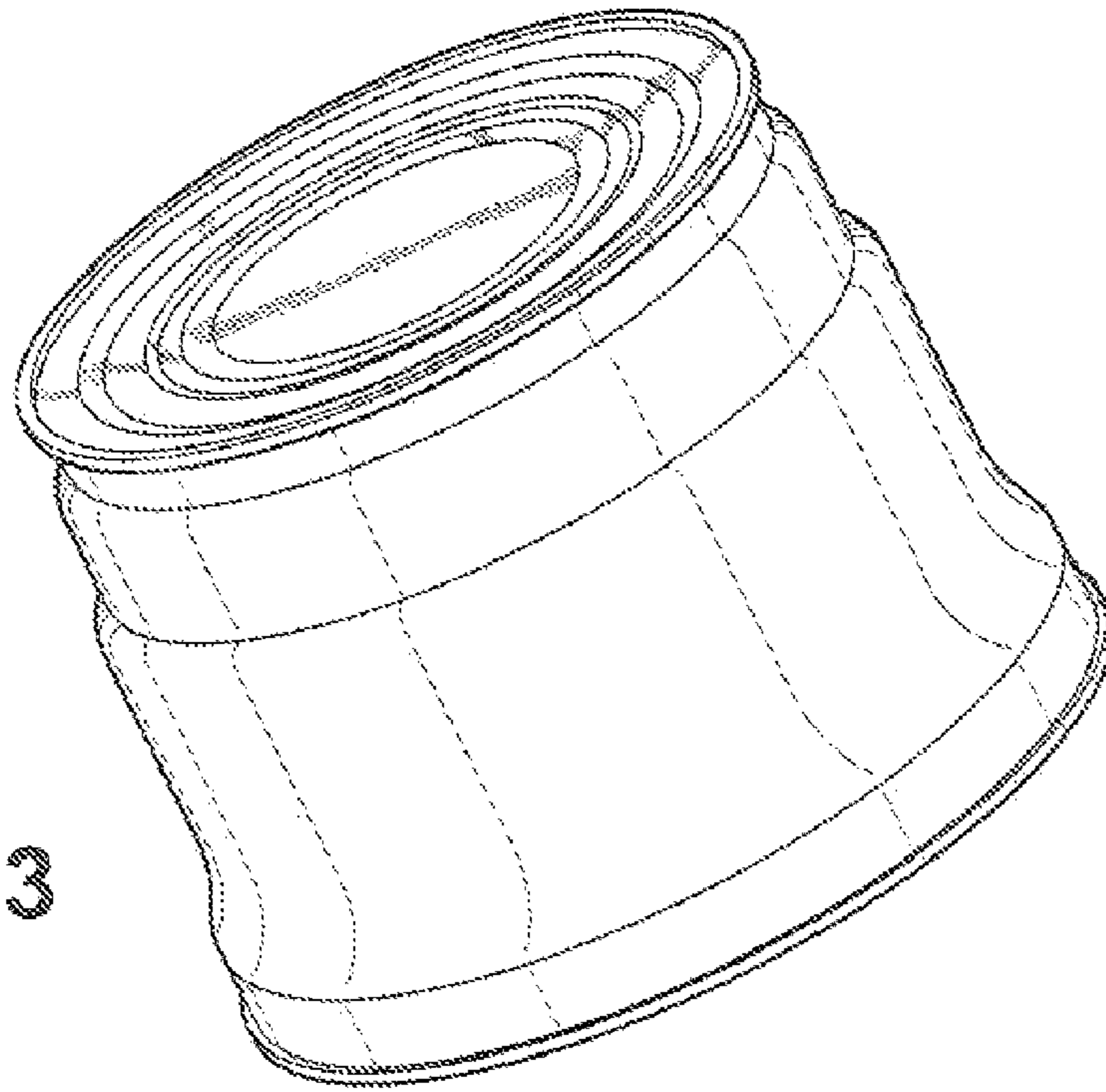


FIG. 3

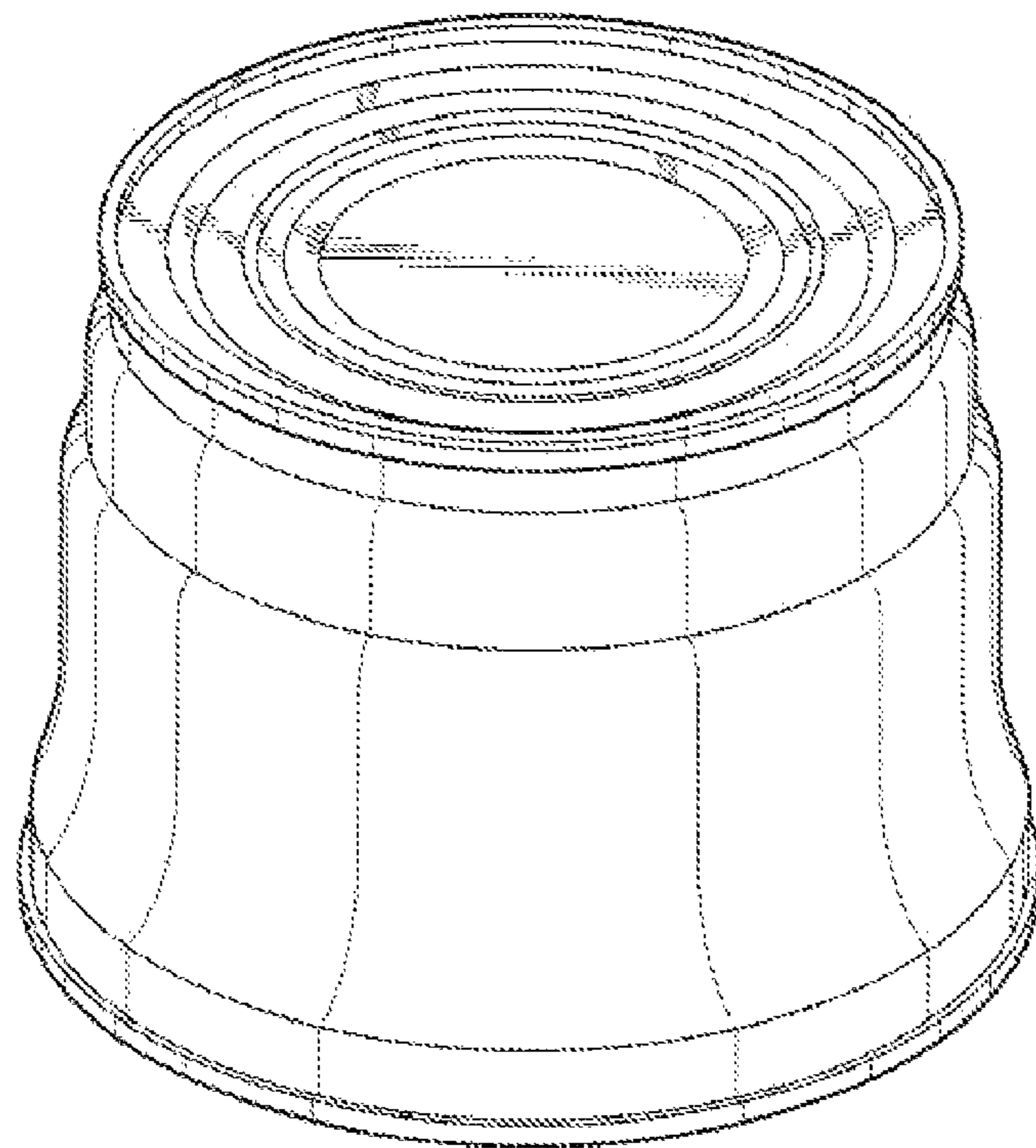


FIG. 4

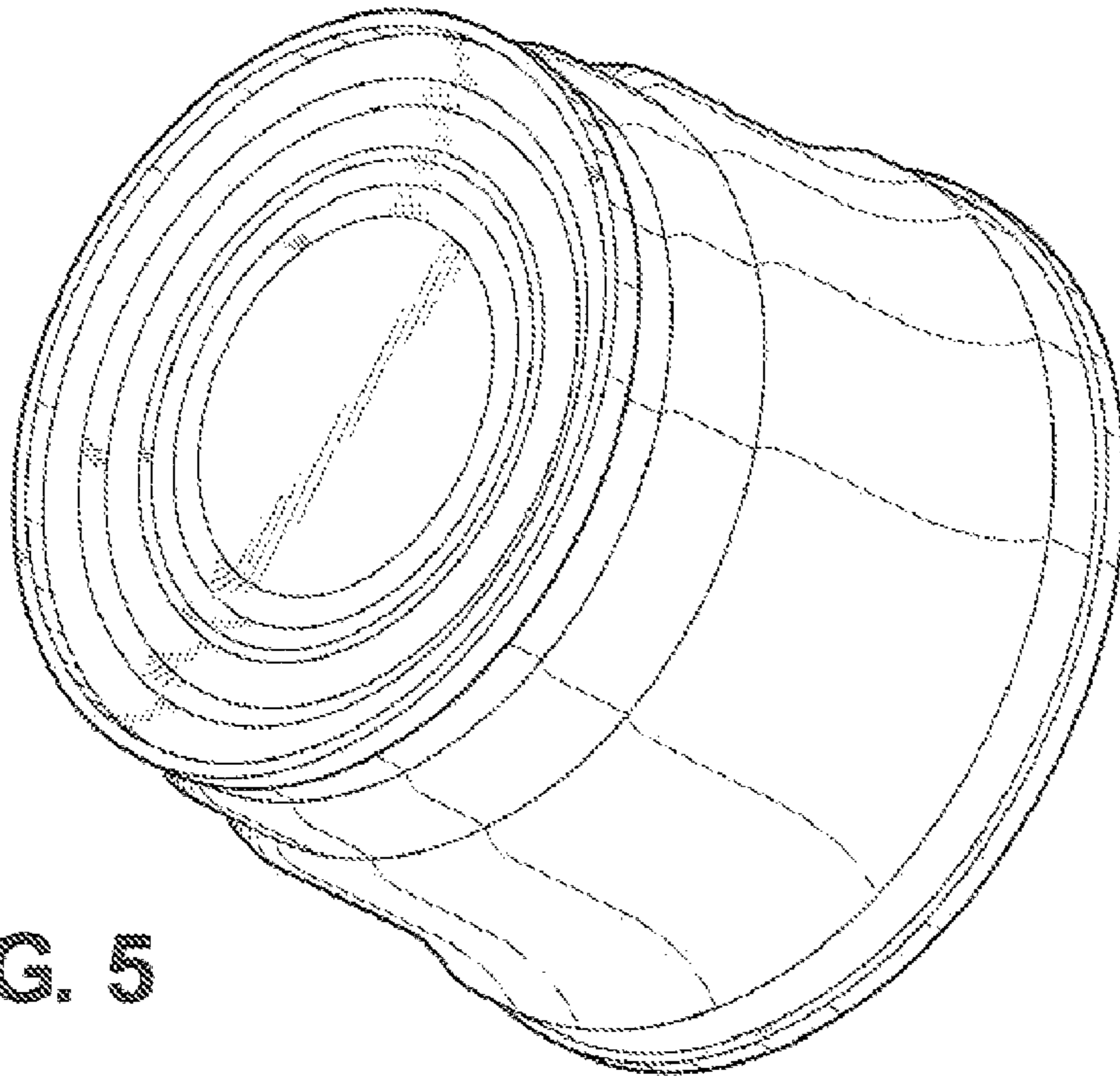


FIG. 5

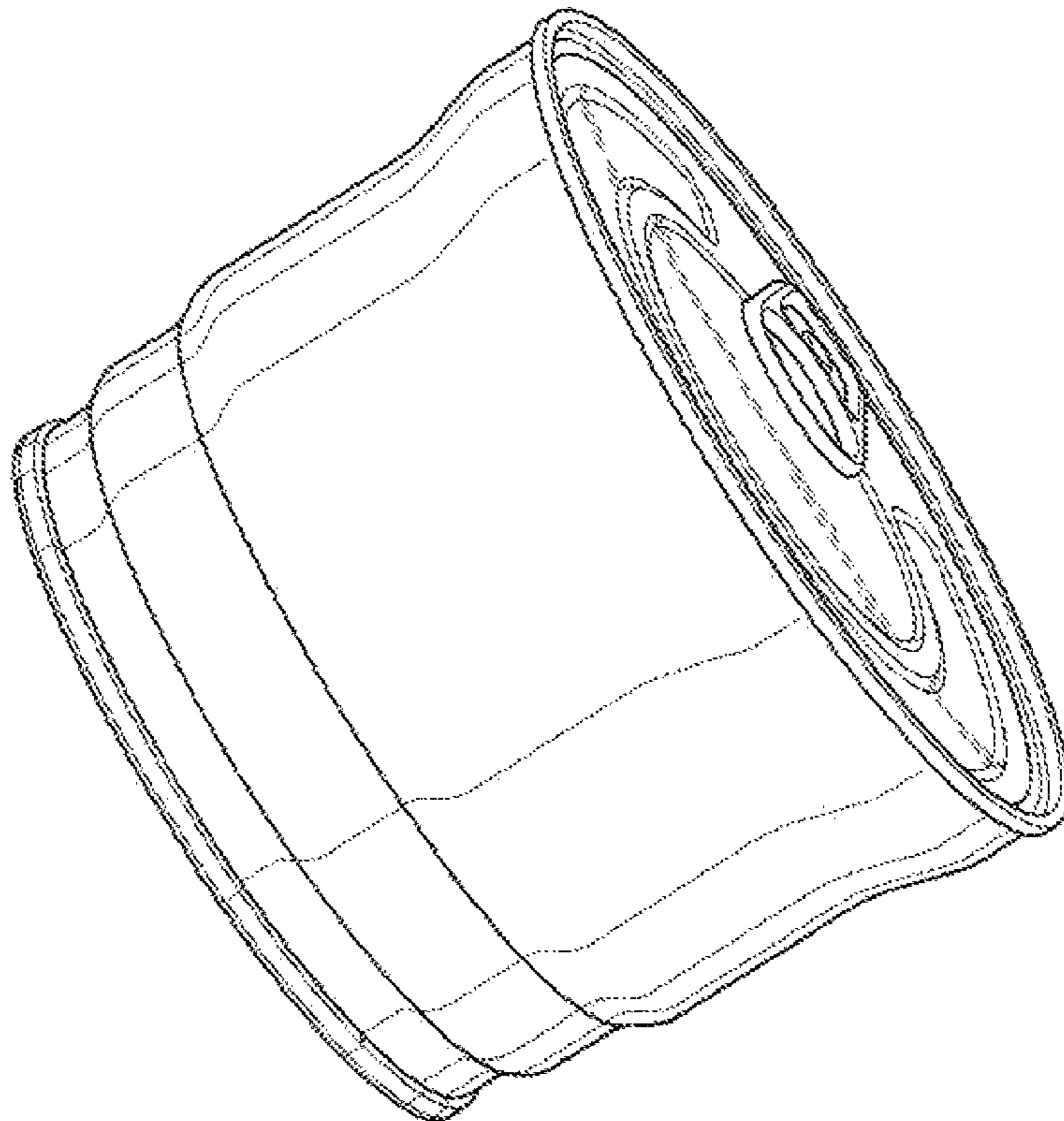


FIG. 6

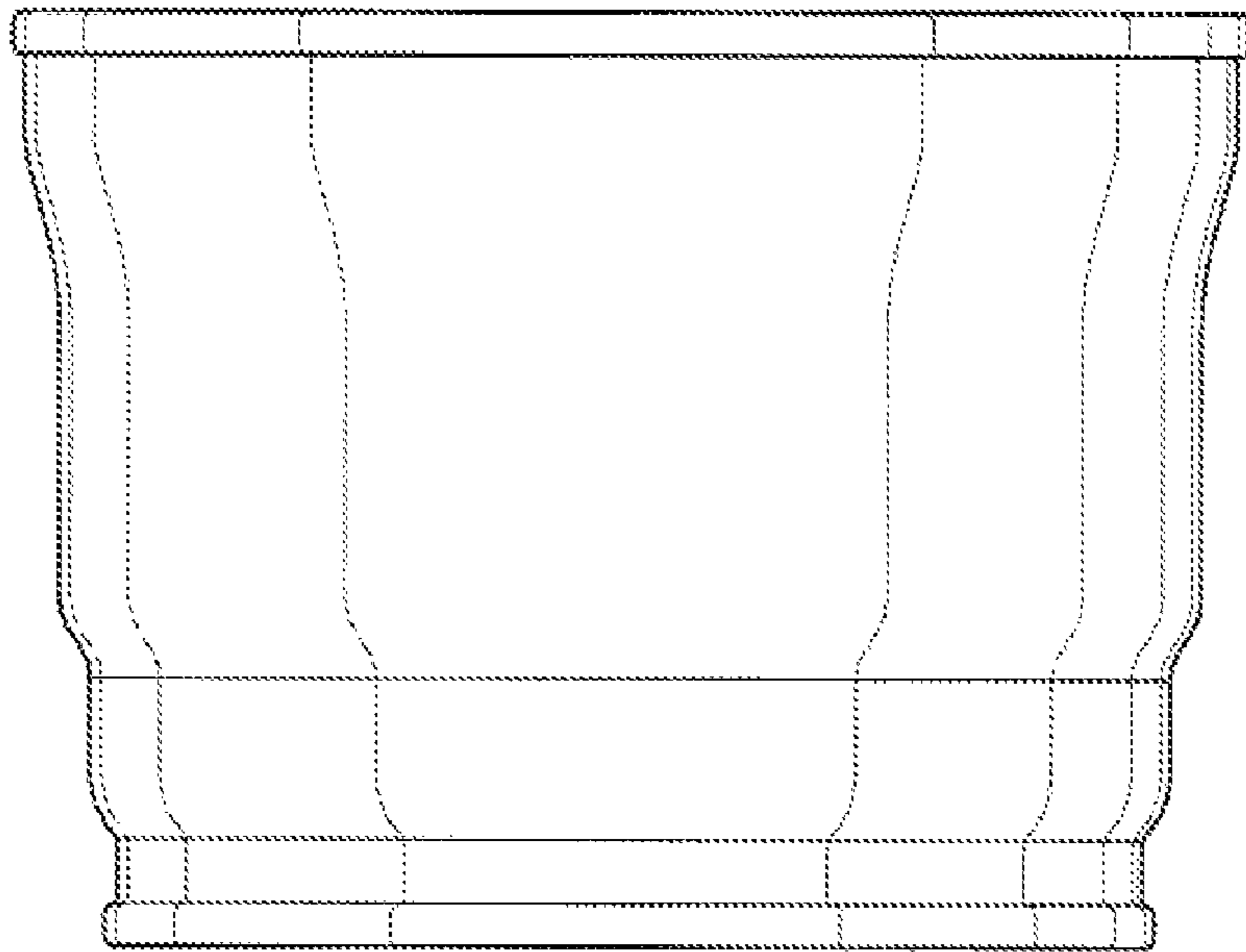


FIG. 7

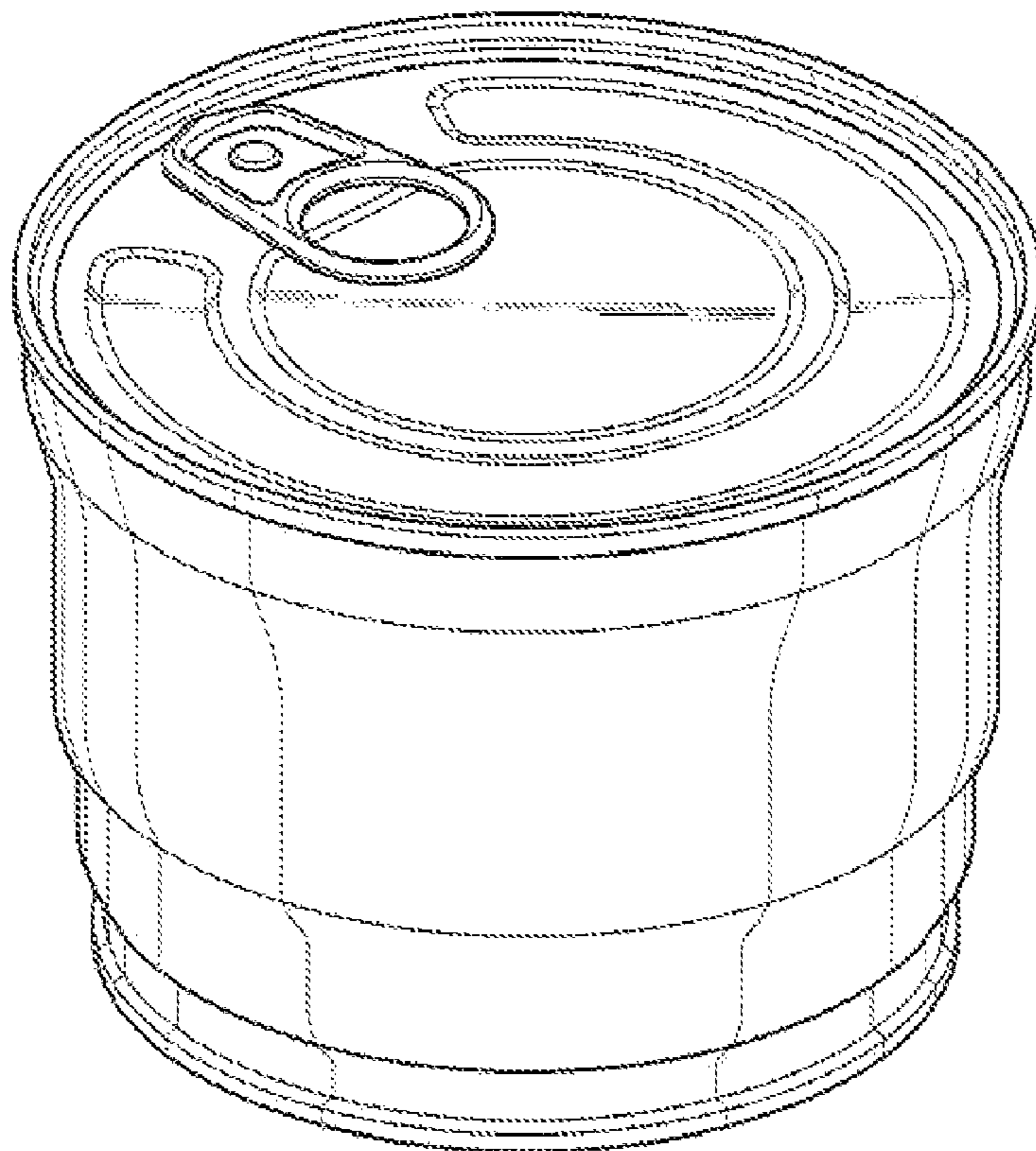


FIG. 8

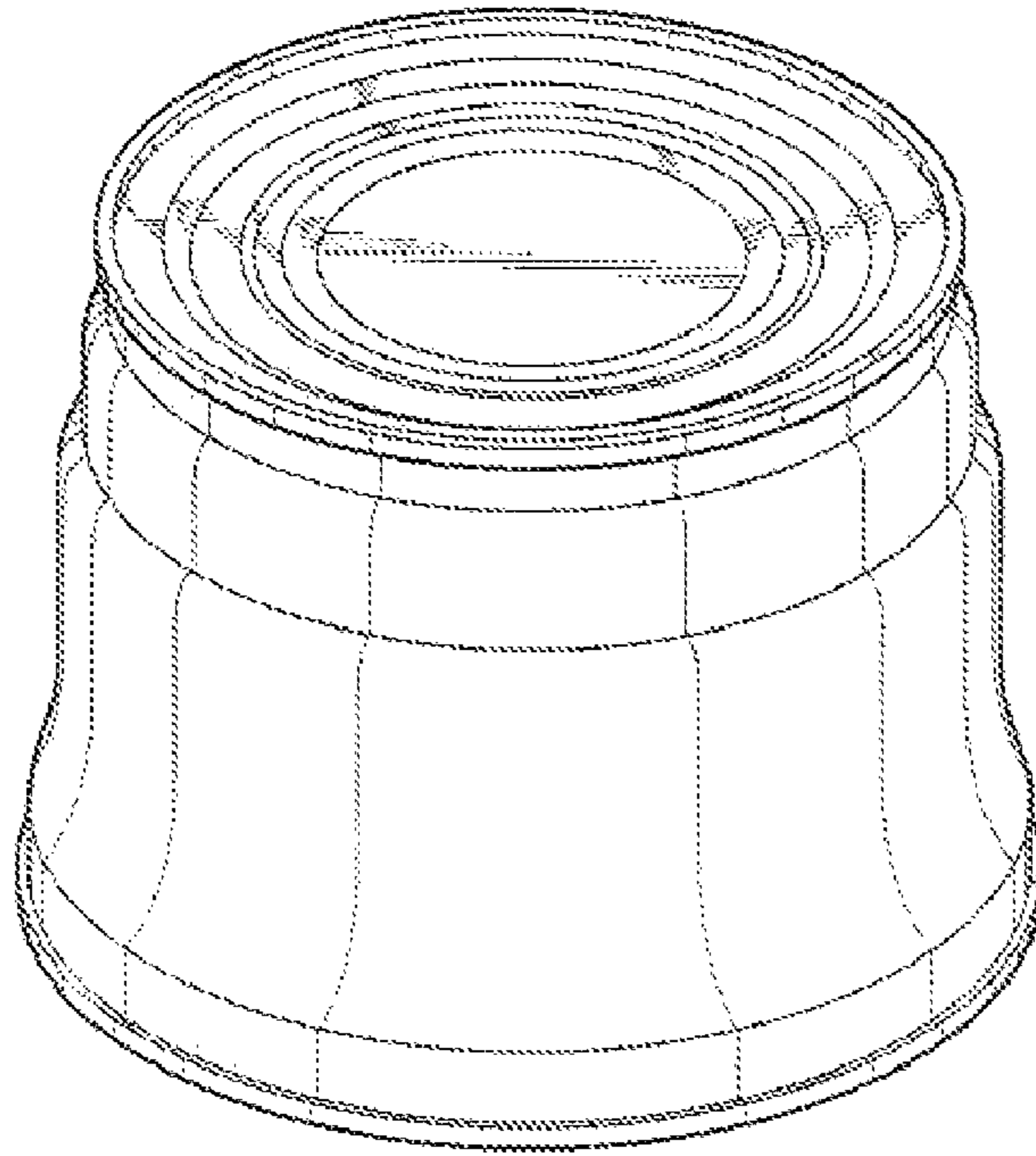


FIG. 9

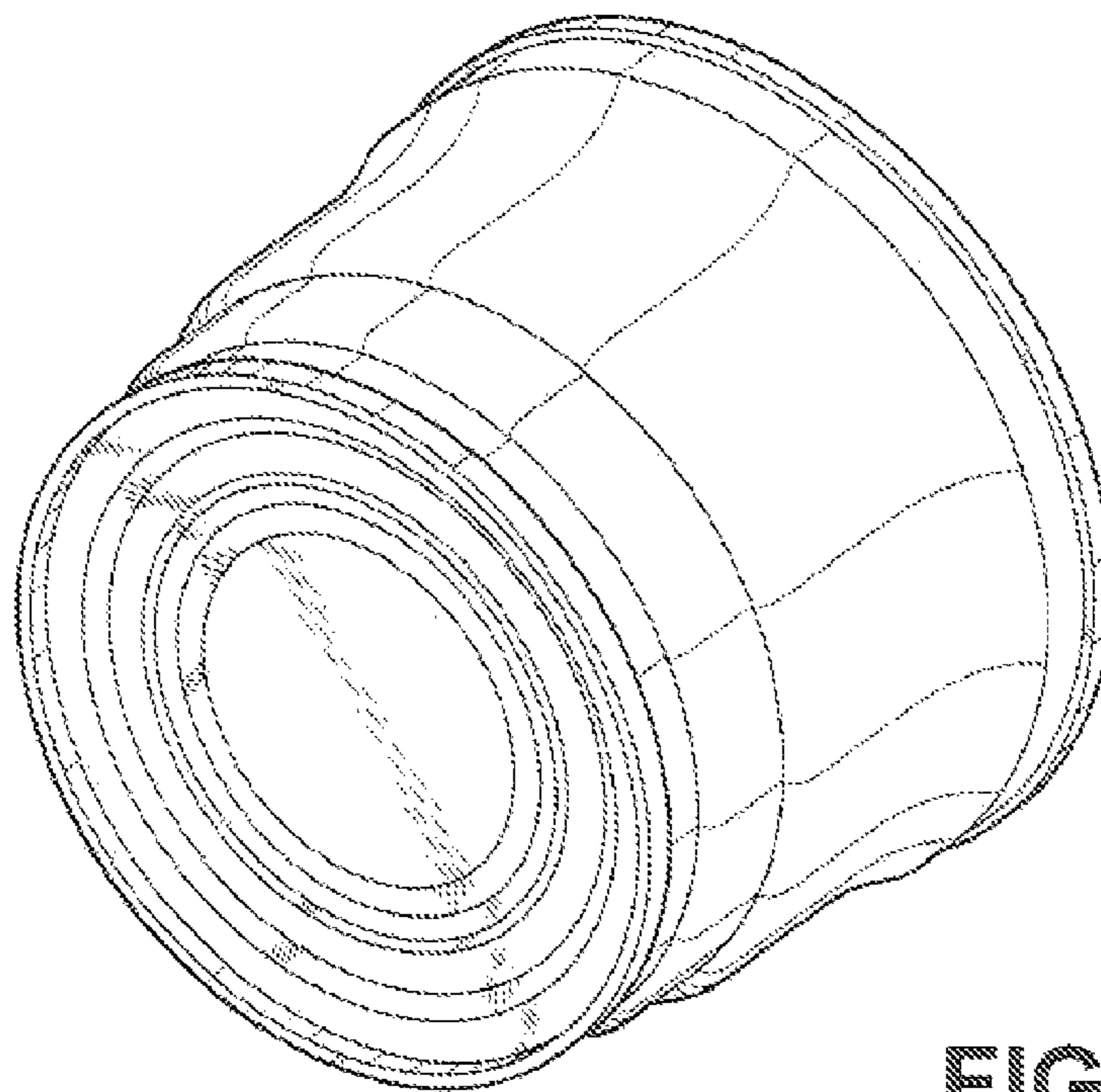


FIG. 10

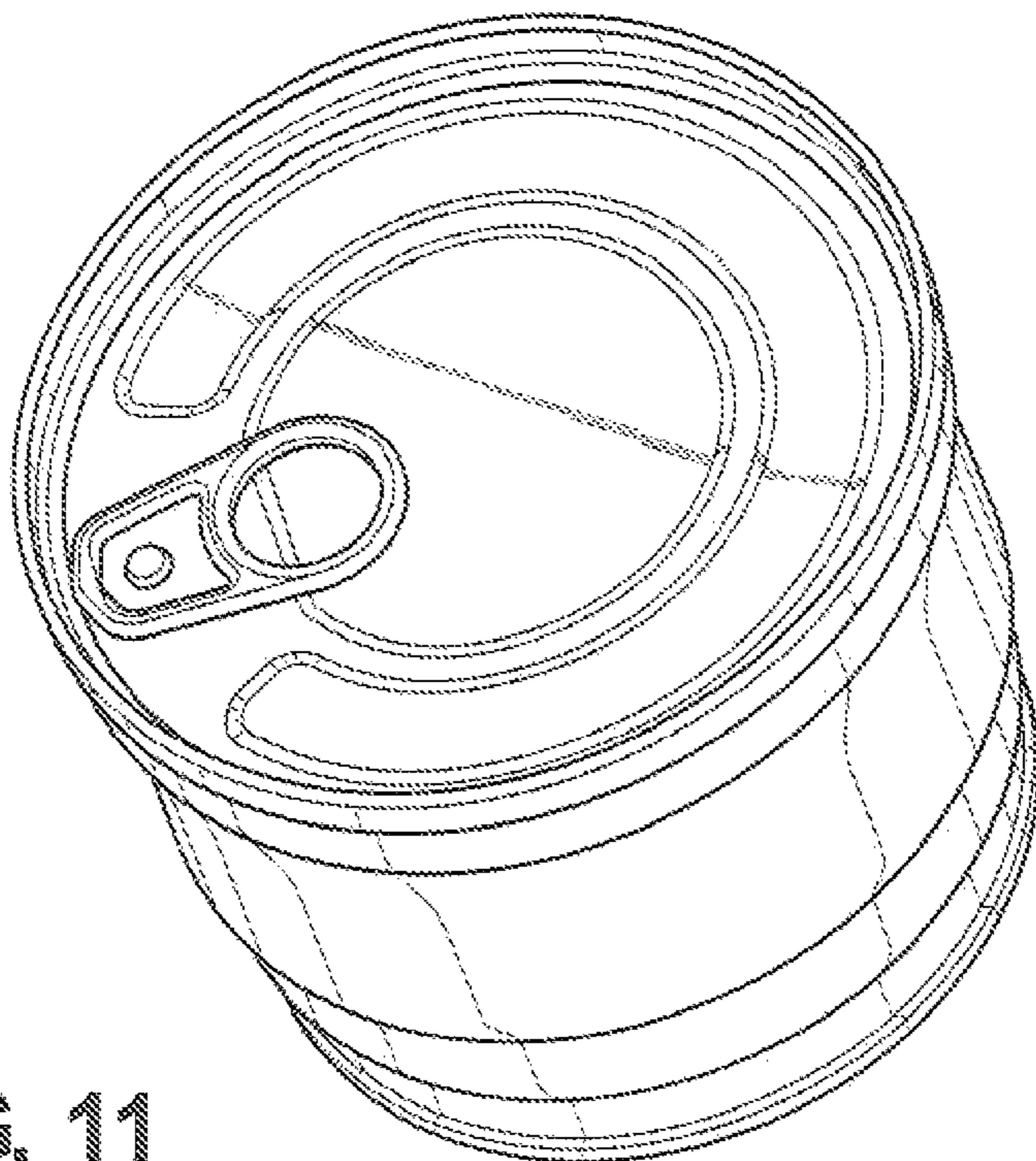


FIG. 11

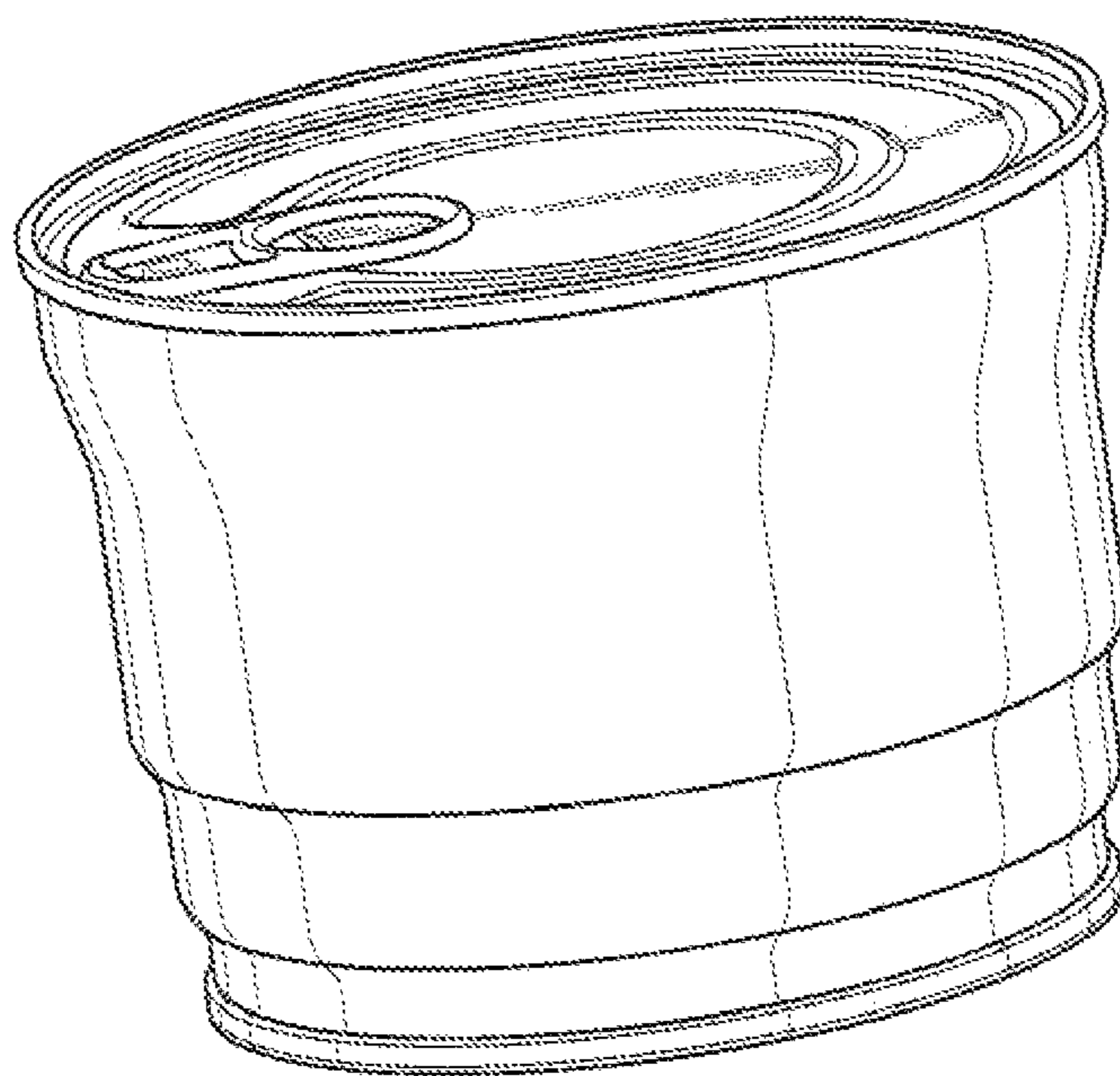


FIG. 12