



US00D605058S

(12) **United States Design Patent**
McGrath

(10) **Patent No.:** **US D605,058 S**

(45) **Date of Patent:** **** Dec. 1, 2009**

(54) **SPARK PLUG CONTAINER**

(76) **Inventor:** **Joseph McGrath**, 13553 S. Lawler,
Crestwood, IL (US) 60445

(**) **Term:** **14 Years**

(21) **Appl. No.:** **29/289,102**

(22) **Filed:** **Jul. 6, 2007**

(51) **LOC (9) Cl.** **09-03**

(52) **U.S. Cl.** **D9/672; D9/424**

(58) **Field of Classification Search** D9/672-676,
D9/600, 414, 417, 424, 428, 430, 674; D3/201,
D3/300; D13/123, 127, 126; 206/319, 327,
206/335, 438, 807, 822, 211; 220/604, 608,
220/659; 229/108, 109, 406

See application file for complete search history.

(56) **References Cited**

U.S. PATENT DOCUMENTS

D180,302 S *	5/1957	Fuller et al.	D13/127
2,945,585 A *	7/1960	Whelan et al.	206/327
4,763,788 A *	8/1988	Jorneus et al.	206/438
D306,141 S *	2/1990	McFarlane	D9/424
D357,584 S *	4/1995	Swingler	D3/300
D379,925 S *	6/1997	Ma	D9/674

5,829,587 A *	11/1998	Saiki et al.	206/327
D443,819 S *	6/2001	Gitersonke	D9/418
D491,805 S *	6/2004	Loth et al.	D9/422
D494,136 S *	8/2004	Vesecky	D13/127

* cited by examiner

Primary Examiner—Prabhakar Deshmukh

Assistant Examiner—Derrick Holland

(74) *Attorney, Agent, or Firm*—Ice Miller LLP

(57) **CLAIM**

The ornamental design for a spark plug container, as shown and described.

DESCRIPTION

FIG. 1 is a perspective view of a spark plug container showing my new design;

FIG. 2 is a front elevation view thereof;

FIG. 3 is a rear elevation view thereof;

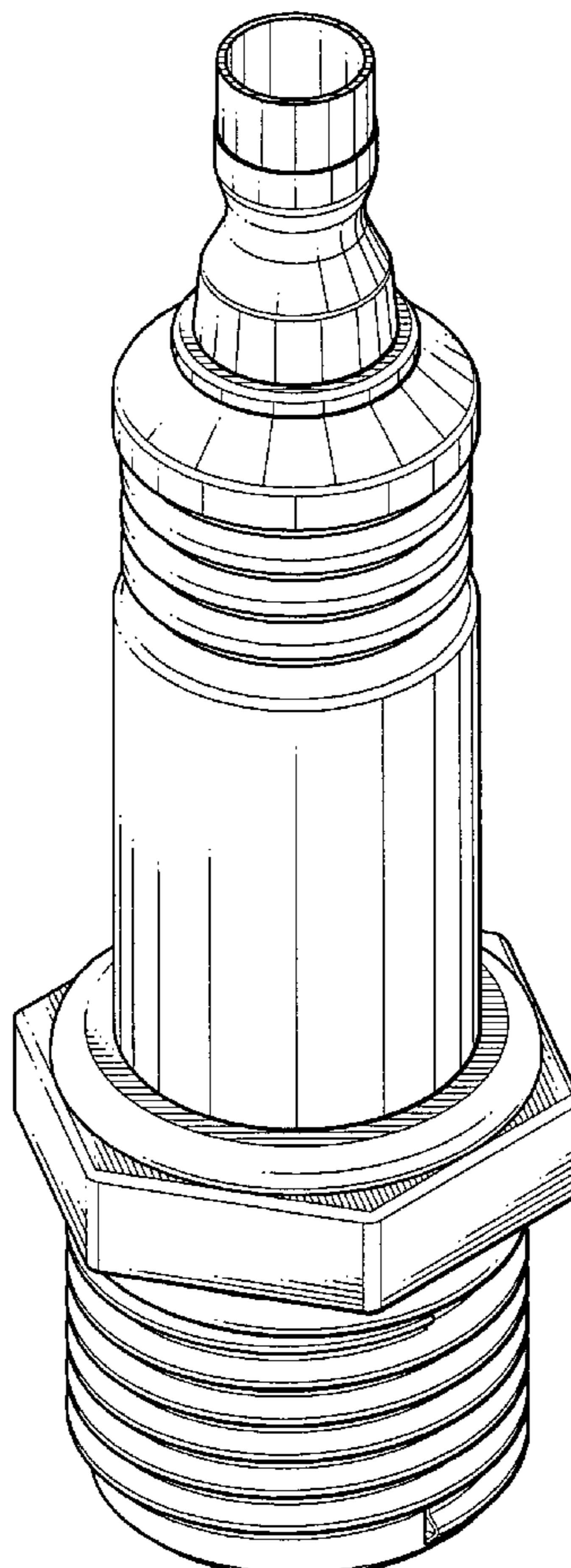
FIG. 4 is a left side elevation view thereof;

FIG. 5 is a right side elevation view thereof;

FIG. 6 is a top plan view thereof; and,

FIG. 7 is a bottom plan view thereof.

1 Claim, 6 Drawing Sheets



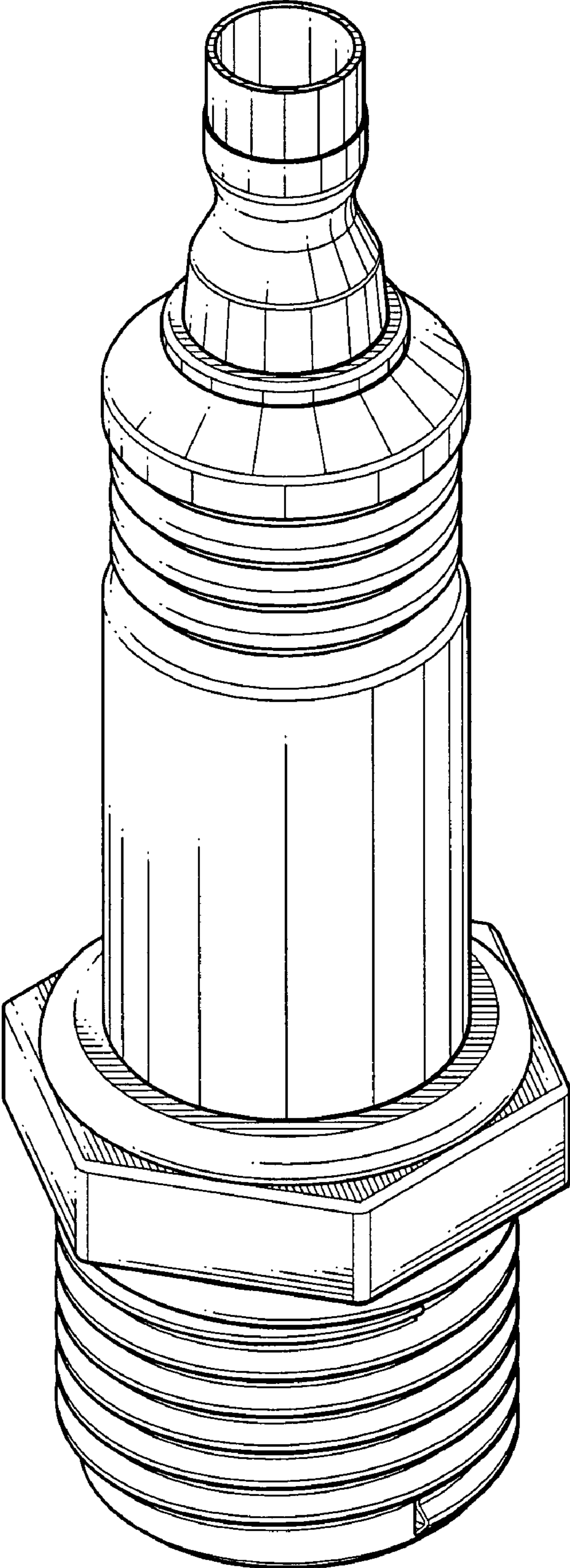


FIG. 1

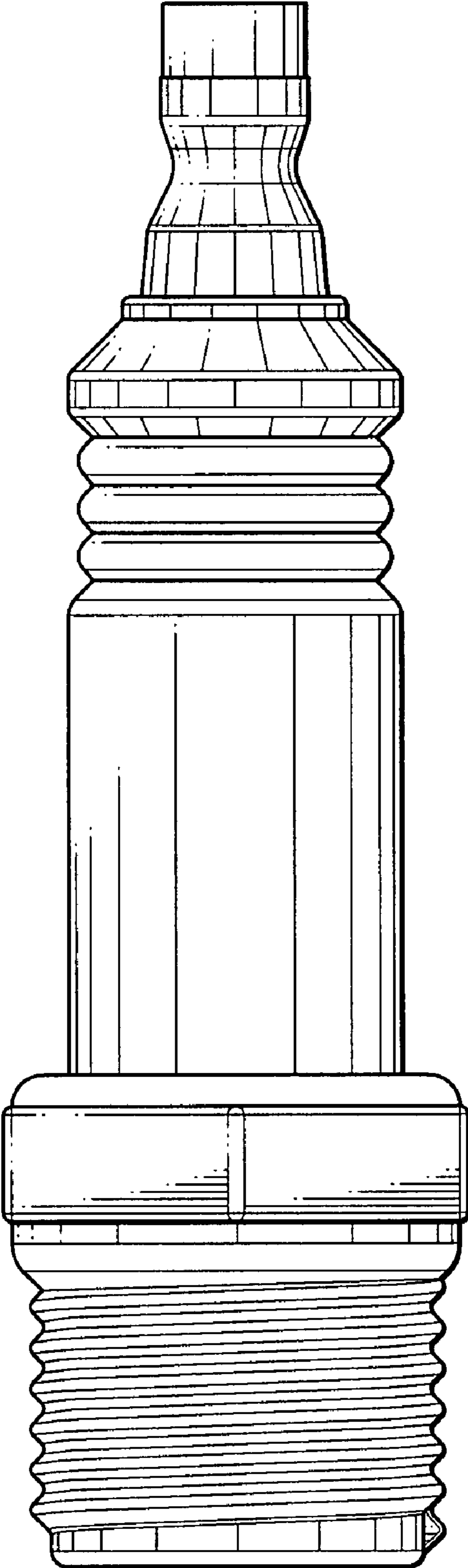


FIG. 2

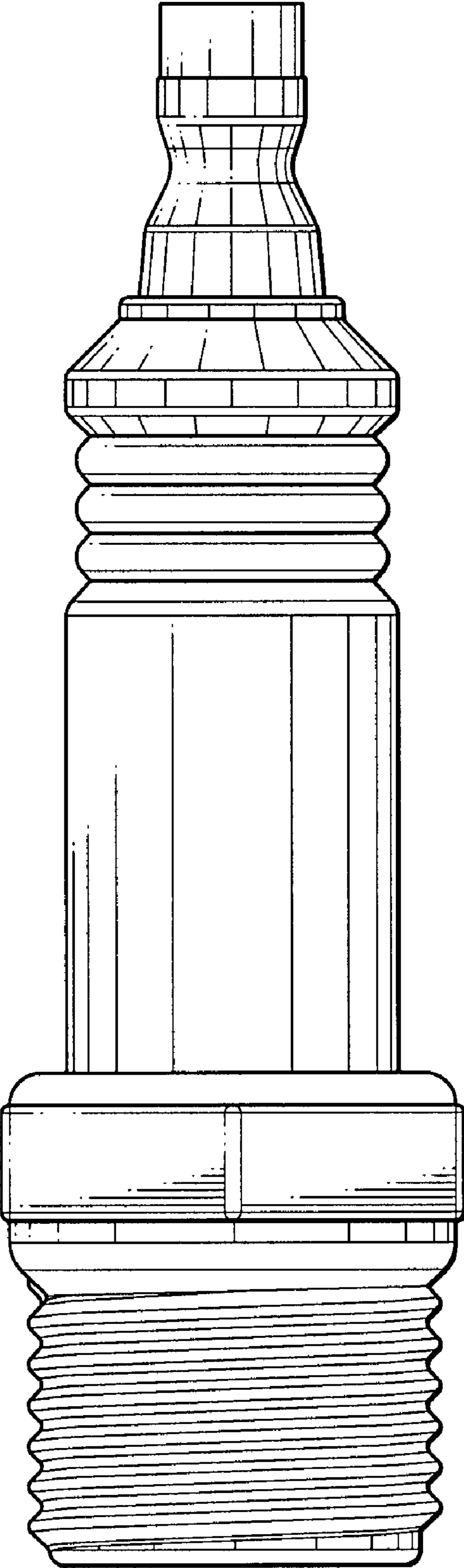


FIG. 3

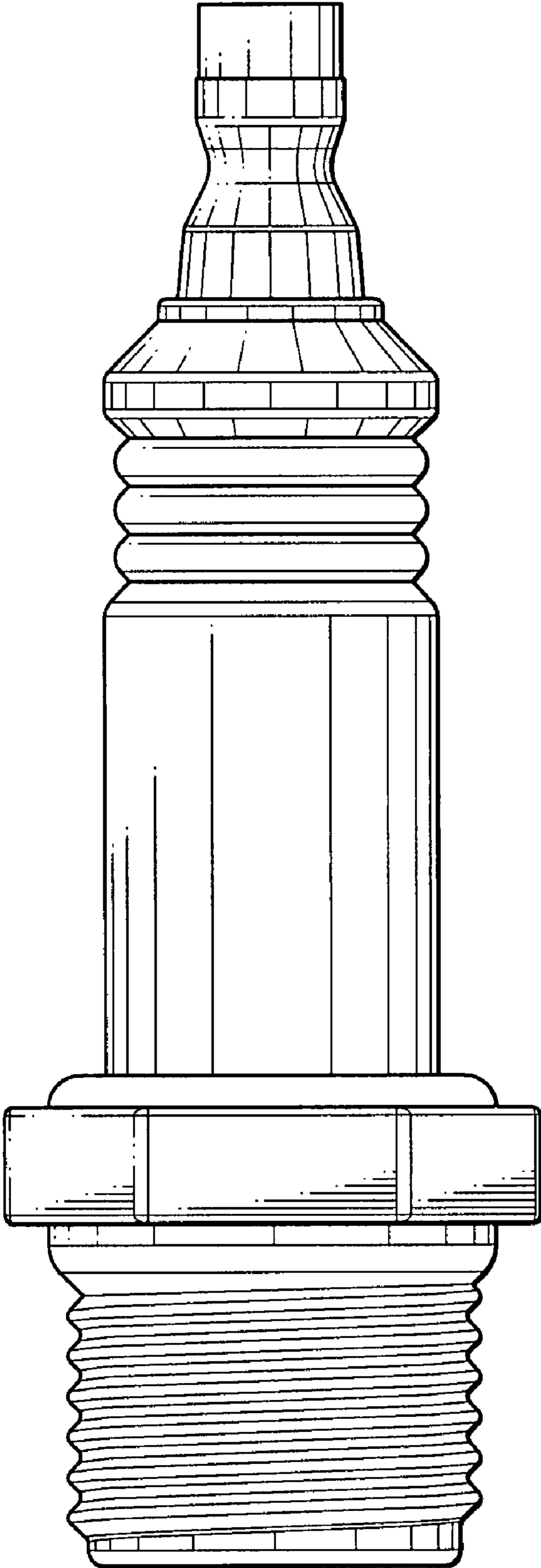


FIG. 4

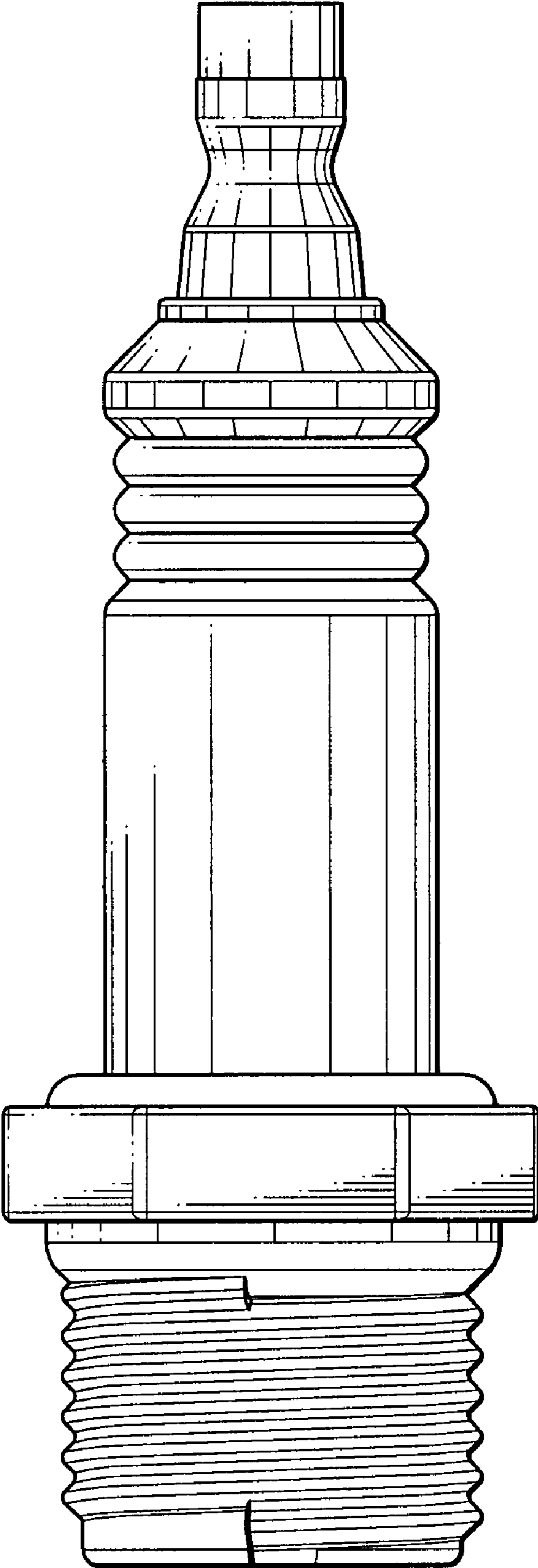


FIG. 5

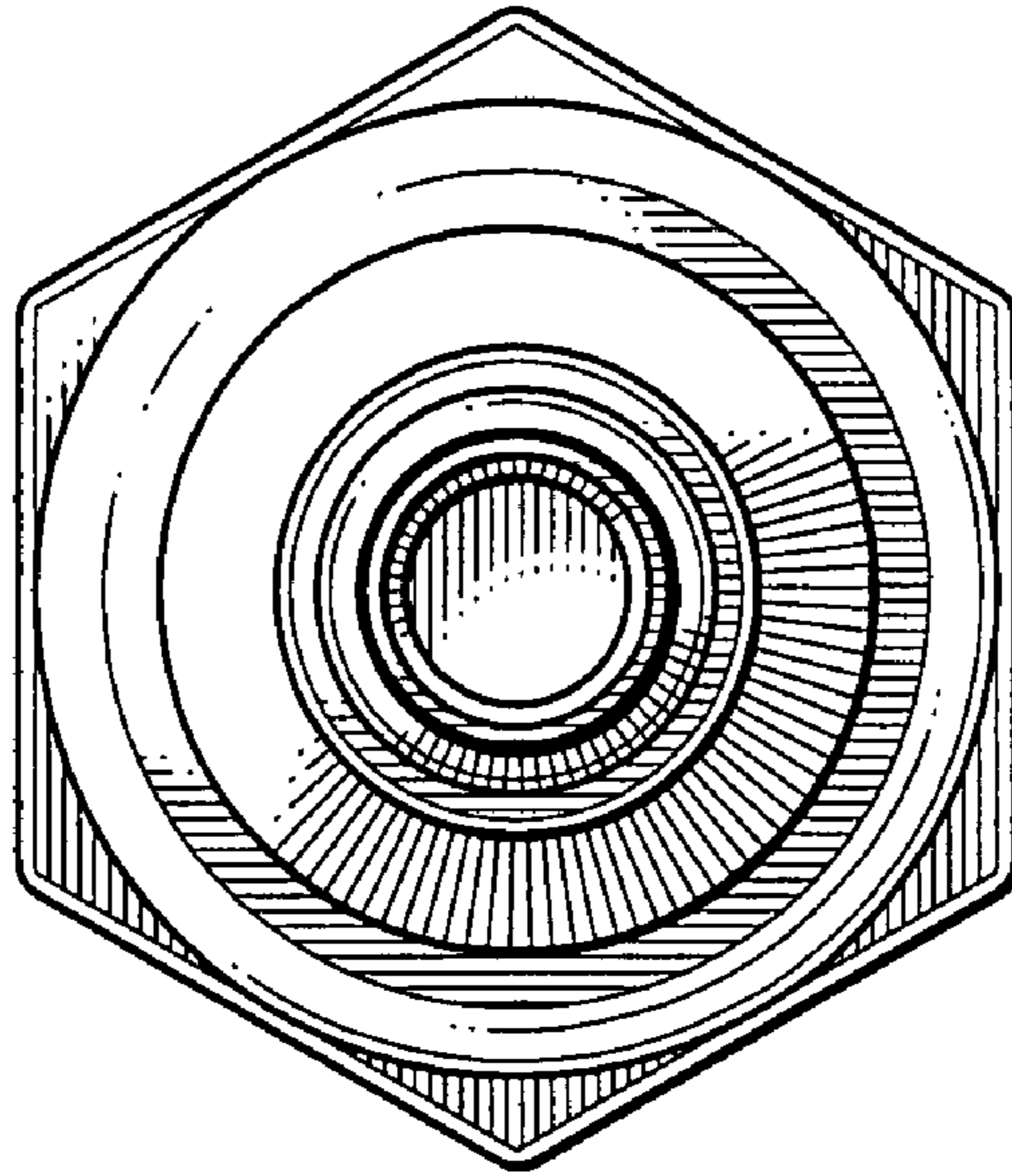


FIG. 6

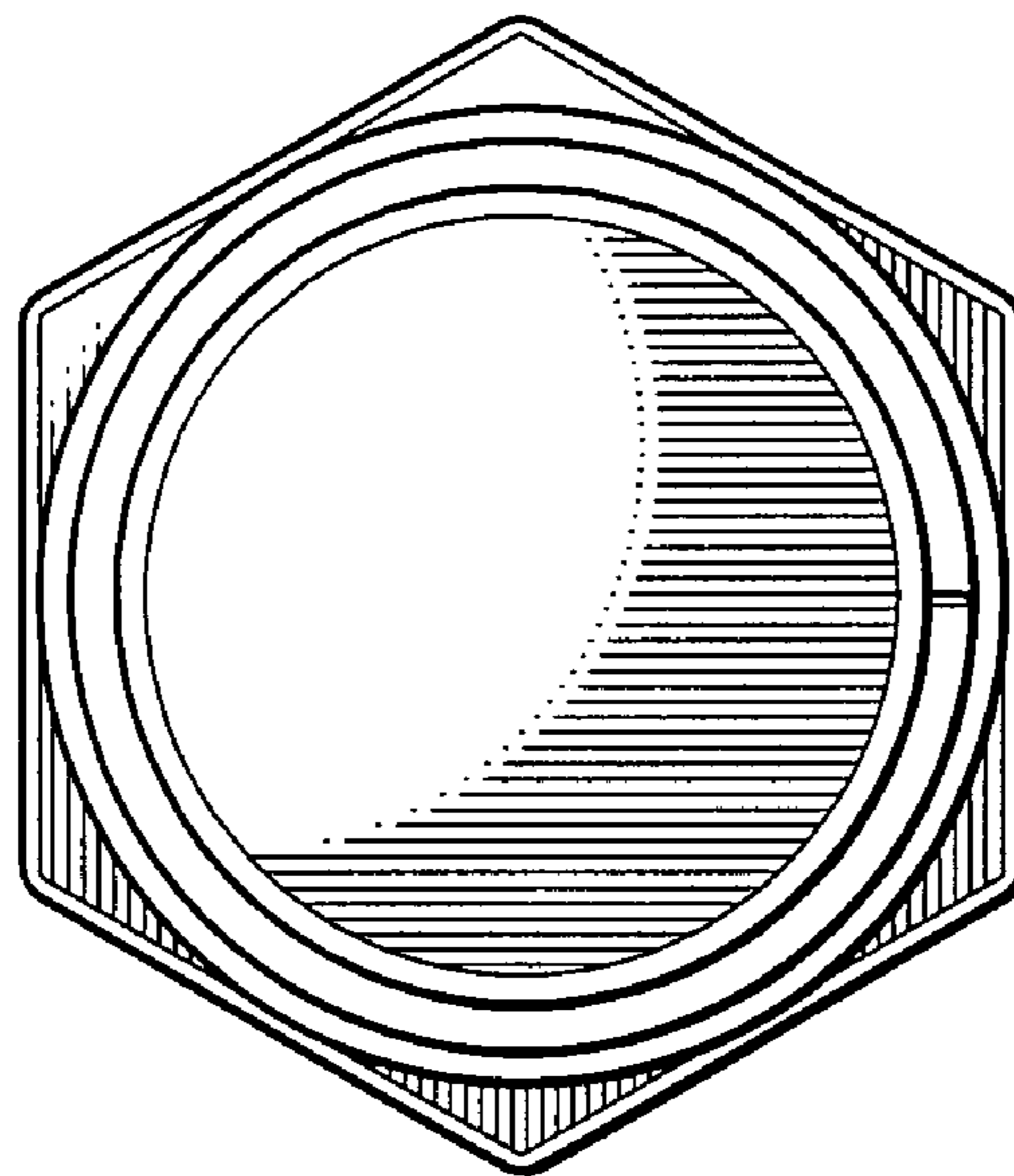


FIG. 7