



US00D605053S

(12) **United States Design Patent**  
**Webster et al.**

(10) **Patent No.:** **US D605,053 S**  
(45) **Date of Patent:** **\*\* Dec. 1, 2009**

(54) **CONTAINER**

(75) Inventors: **Michael James Webster**, London (GB);  
**Gilbert Rodney Balaram**, Middlesex  
(GB); **Adrian Barclay Caroen**, Hove  
Brighton (GB); **Lori Brazil Gery**, River  
Forest, IL (US); **Gareth Frederick**  
**Jones**, Milford, CT (US); **Richard Paul**  
**McNabb**, Milford, CT (US); **Ellen**  
**Rinaldi**, Bethel, CT (US)

(73) Assignee: **Conopco, Inc.**, Englewood Cliffs, NJ  
(US)

(\*\*) Term: **14 Years**

(21) Appl. No.: **29/289,869**

(22) Filed: **Aug. 3, 2007**

(51) **LOC (9) Cl.** ..... **09-01**

(52) **U.S. Cl.** ..... **D9/542; D9/569; D9/574**

(58) **Field of Classification Search** ..... D9/682-694,  
D9/774, 516, 529-530, 537-543, 549, 556,  
D9/558, 569, 574-575, 443, 445, 454; 215/382-384;  
222/211-213; 220/660, 669-673; D28/7,  
D28/82, 88

See application file for complete search history.

(56) **References Cited**

**U.S. PATENT DOCUMENTS**

D80,933 S *	4/1930	Andrews	.....	D9/529
D92,148 S *	5/1934	McGiveran	.....	D9/573
D93,116 S *	8/1934	Leach	.....	D9/571
D95,674 S *	5/1935	Fuerst	.....	D9/573
D95,849 S *	6/1935	Leach	.....	D9/573
D179,837 S *	3/1957	Carabel et al.	.....	D9/431
D319,014 S *	8/1991	Di Nuccio	.....	D9/574
D319,015 S *	8/1991	Schmidt	.....	D9/574

D327,644 S *	7/1992	Offley et al.	.....	D9/560
D339,285 S *	9/1993	Burke	.....	D9/669
D346,115 S *	4/1994	Meisner et al.	.....	D9/529
D371,970 S *	7/1996	Desgrippes	.....	D9/573
5,660,306 A *	8/1997	Kim	.....	222/83
D404,313 S *	1/1999	Arazano	.....	D9/570
D405,699 S *	2/1999	Chae	.....	D9/573
D452,160 S *	12/2001	Mettler	.....	D9/574
D501,638 S *	2/2005	Hutter et al.	.....	D9/571
D574,248 S *	8/2008	Baraky et al.	.....	D9/529

**OTHER PUBLICATIONS**

Co-pending Application: Applicant: Webster et al., U.S. Appl. No. 29/289,870, Filed: Aug. 3, 2007.

\* cited by examiner

*Primary Examiner*—Carol Rademaker

(74) *Attorney, Agent, or Firm*—Karen E. Klumas

(57) **CLAIM**

The ornamental design for a container, as shown and described.

**DESCRIPTION**

FIG. 1 is a perspective view of a container showing our new design;

FIG. 2 is a front elevational view;

FIG. 3 is a rear elevational view;

FIG. 4 is a right side elevational view;

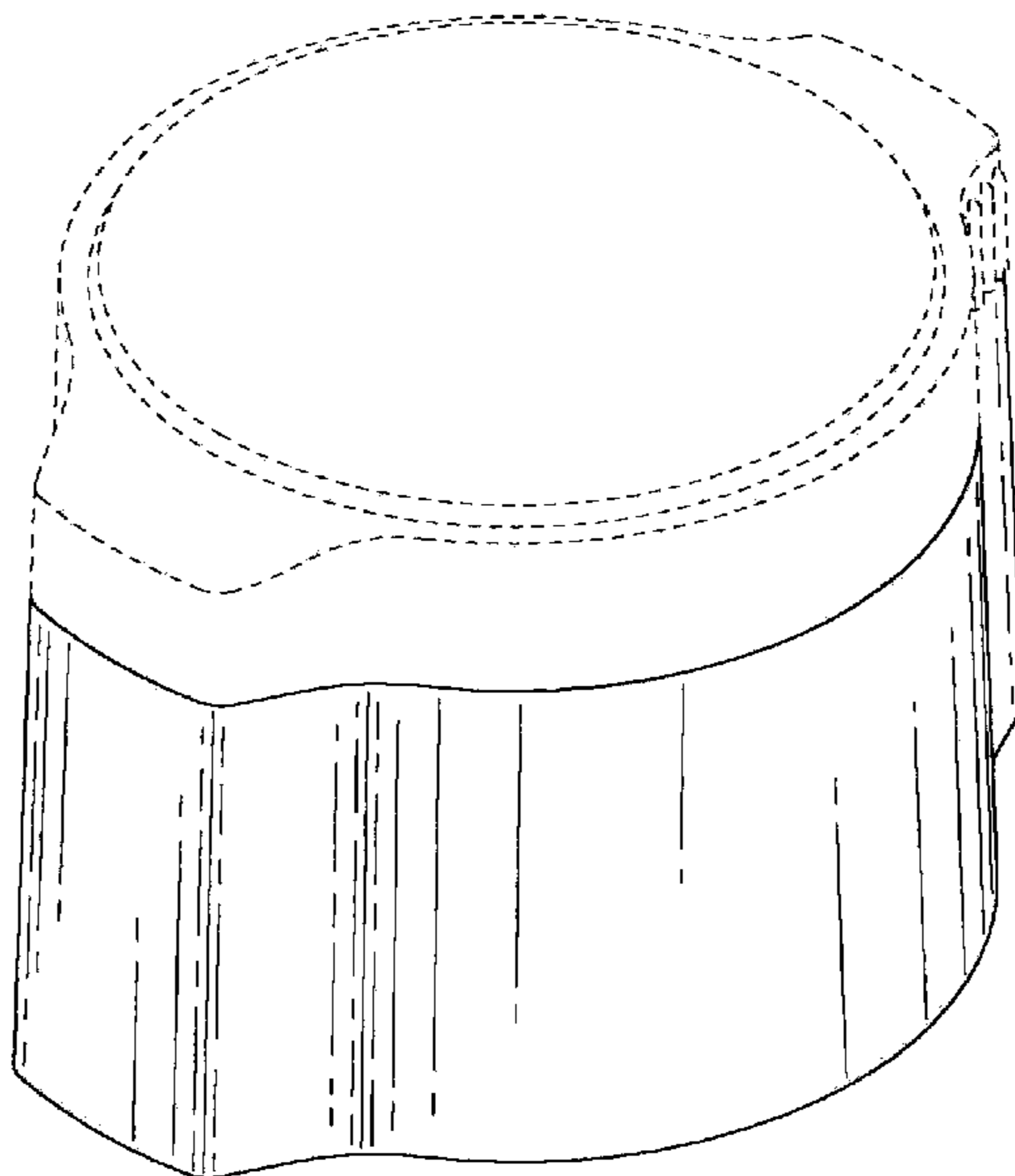
FIG. 5 is a left side elevational view;

FIG. 6 is a top plan view; and,

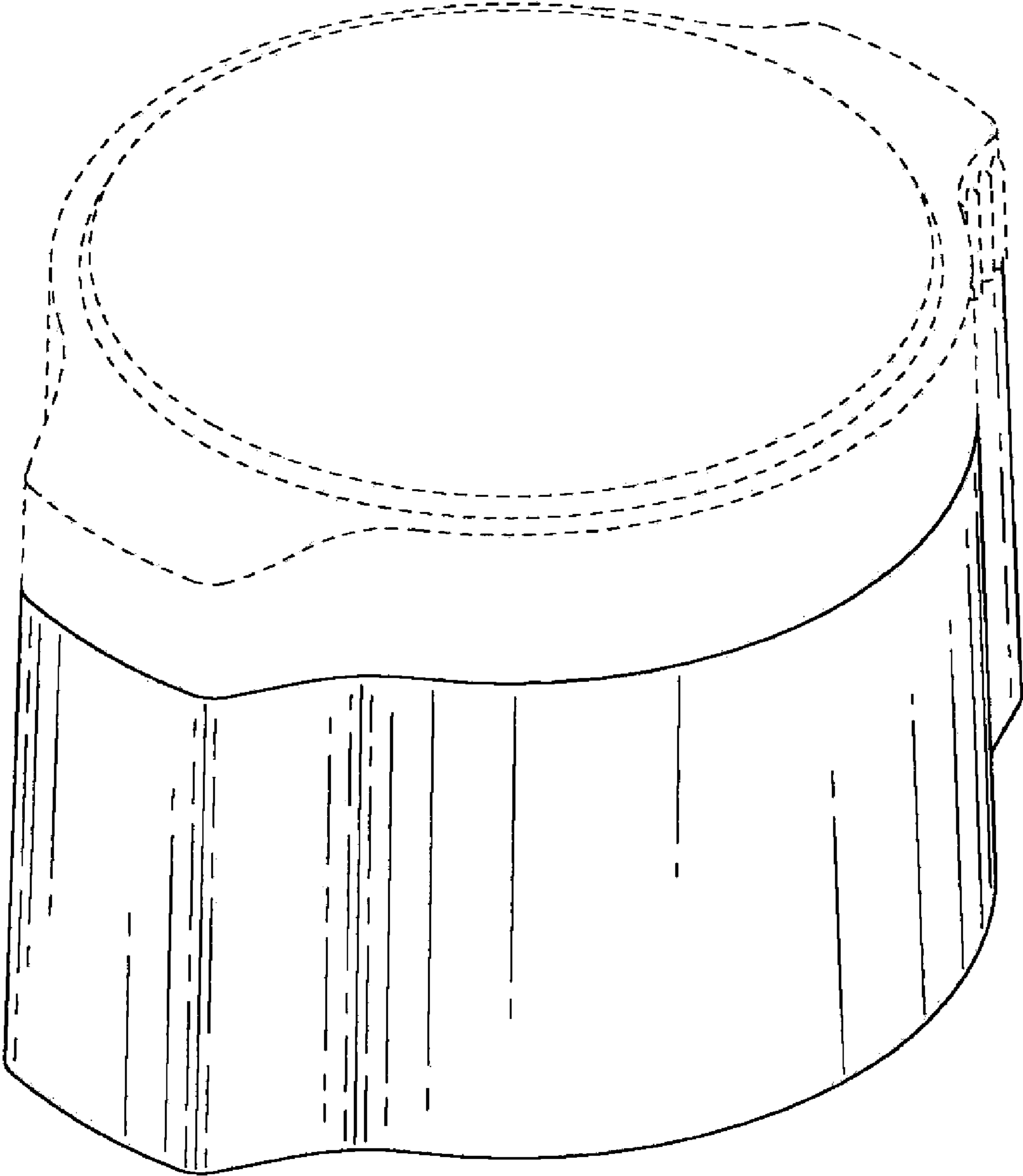
FIG. 7 is a bottom plan view.

The broken lines shown on the drawing views are included for the purpose of showing environmental structure that forms no part of the claimed design.

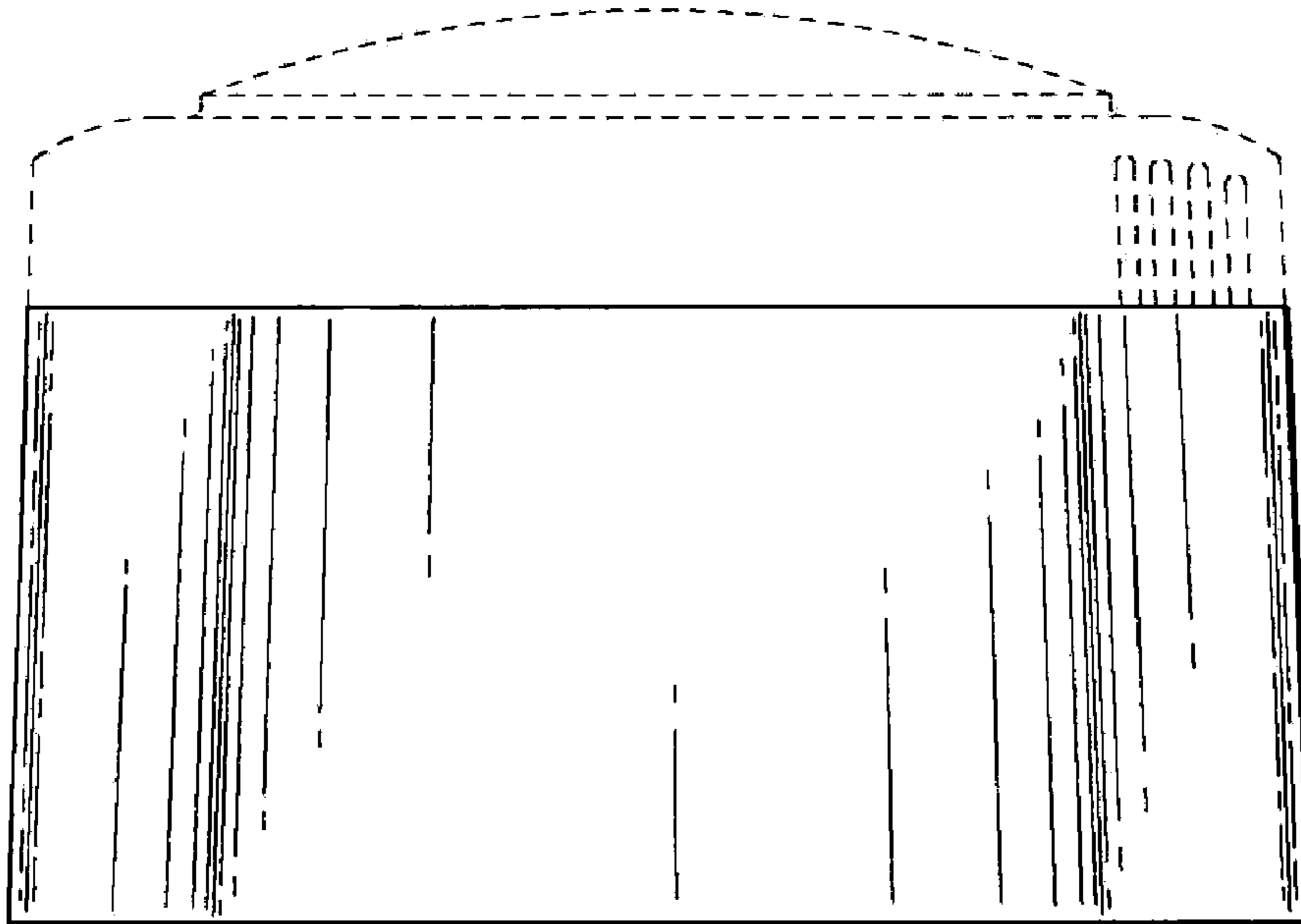
**1 Claim, 4 Drawing Sheets**



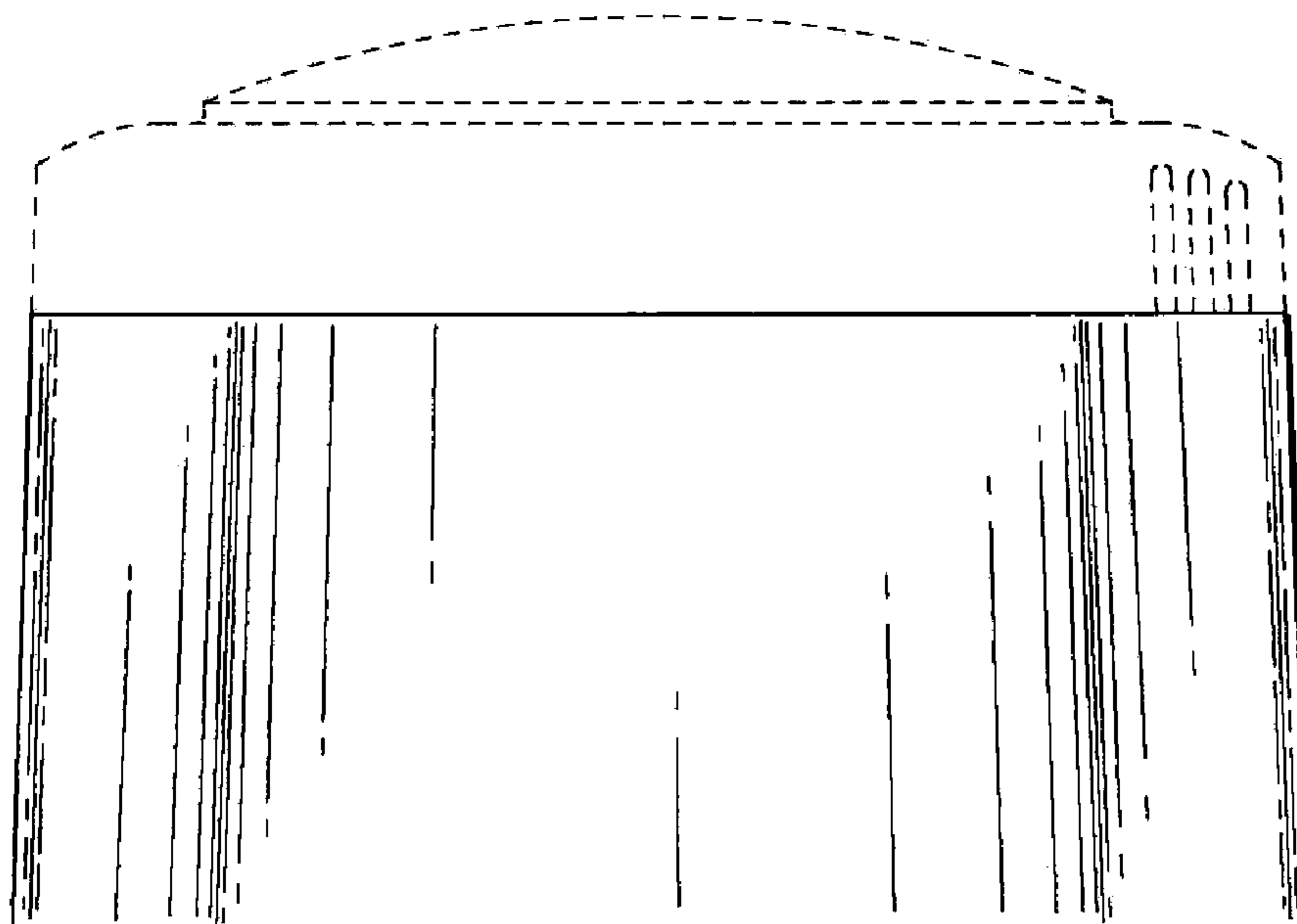
**FIG. 1**



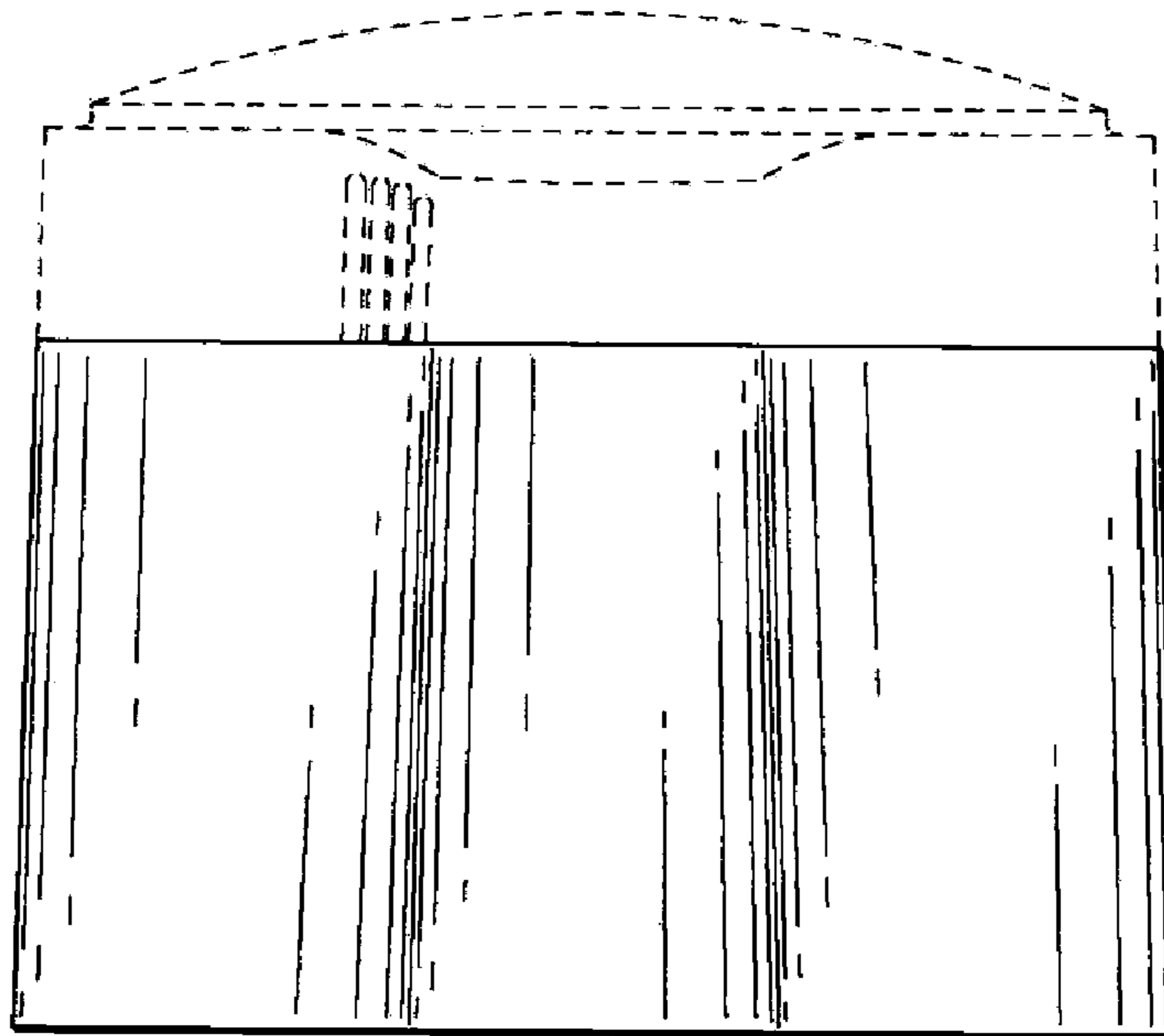
**FIG. 2**



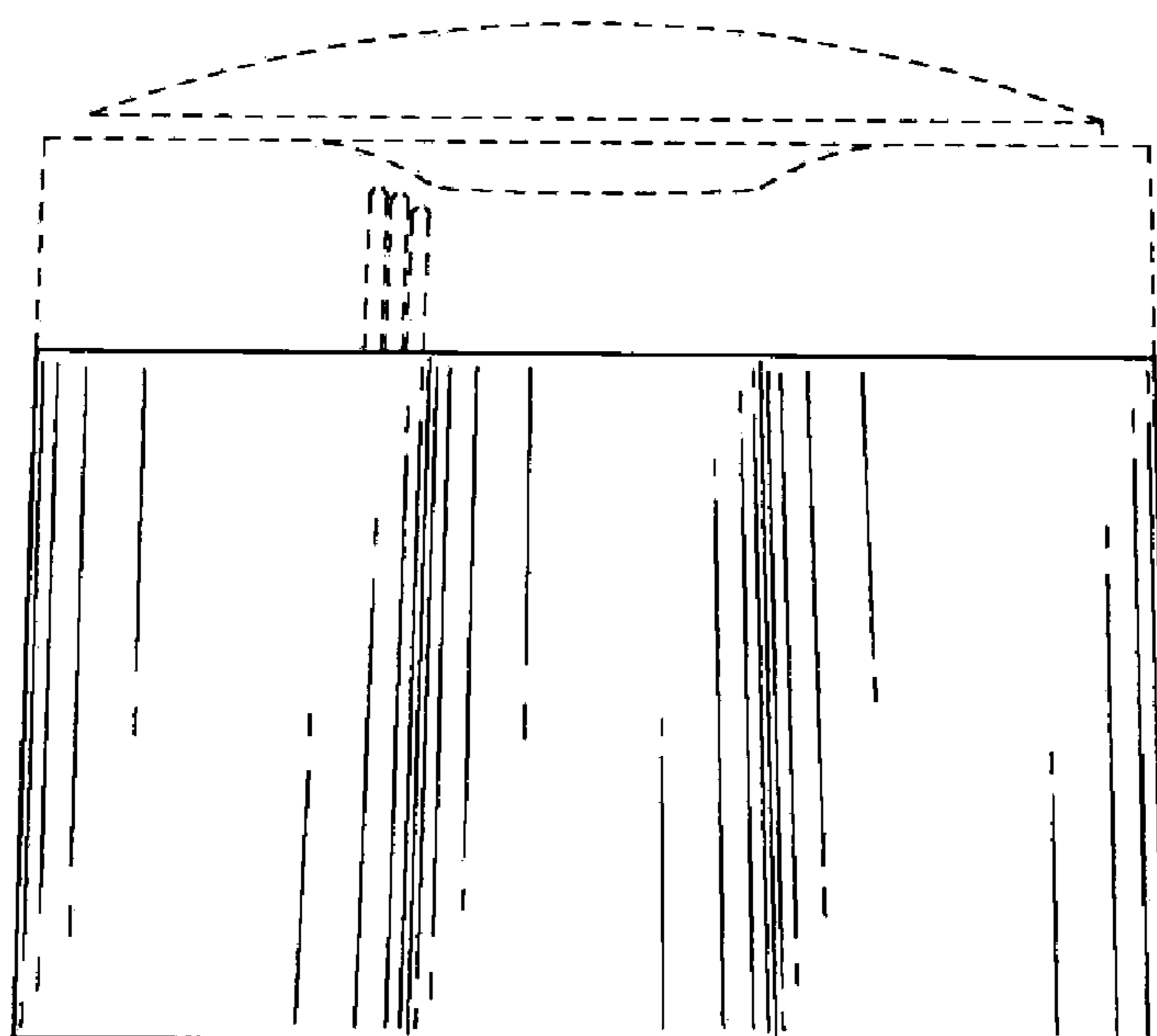
**FIG. 3**



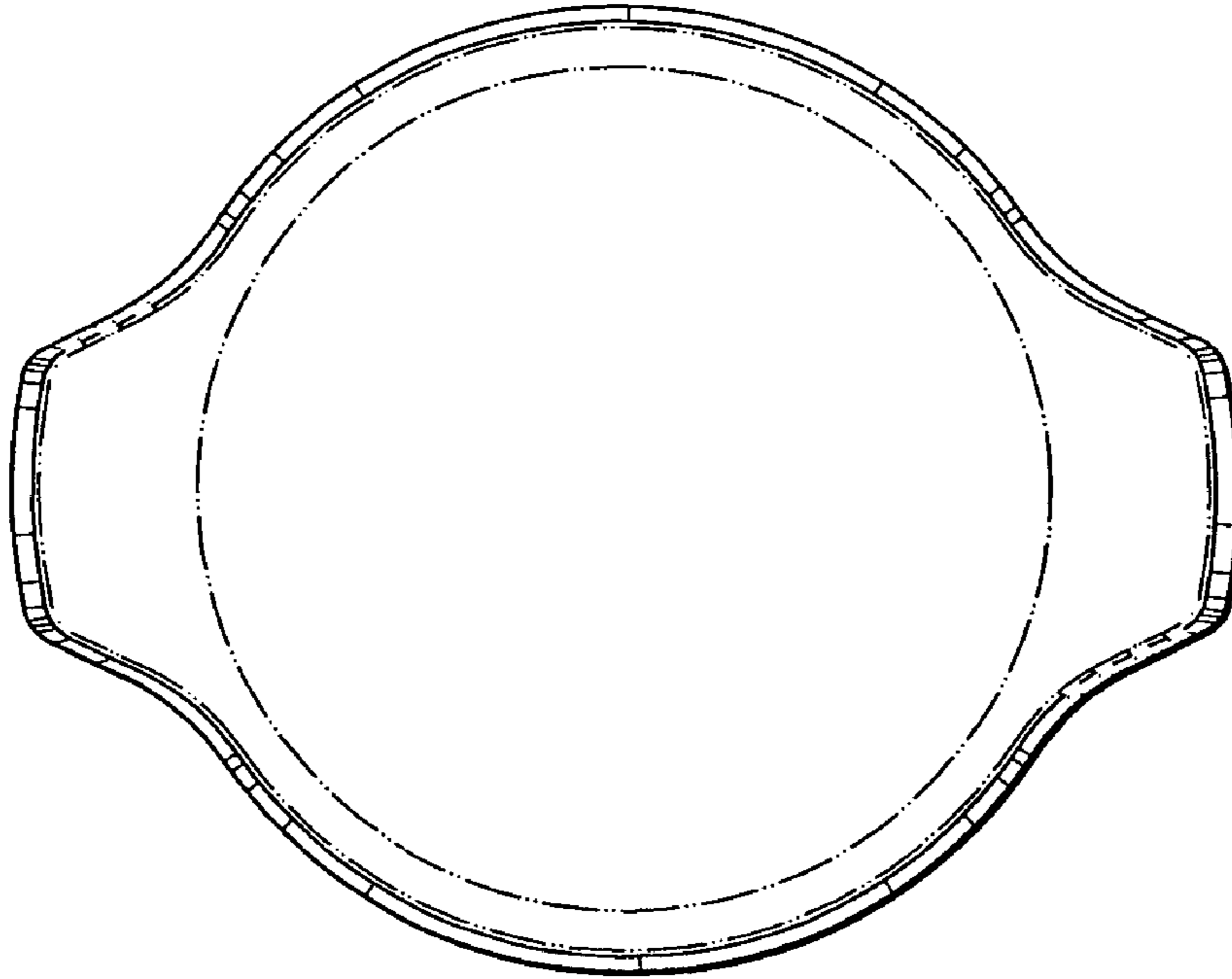
**FIG. 4**



**FIG. 5**



*FIG. 6*



*FIG. 7*

