



US00D605041S

(12) **United States Design Patent**
Perry et al.

(10) **Patent No.:** **US D605,041 S**

(45) **Date of Patent:** **** Dec. 1, 2009**

(54) **CONTAINER**

(75) Inventors: **James P. Perry**, Gahana, OH (US);
Ashley A. Gohlke, Chicago, IL (US);
William J. Hook, Galena, OH (US);
Katherine J. Jordan, Pickerington, OH
(US); **Frank S. Walczak**, Galena, OH
(US); **Peter B. Clarke**, Fairfield, CT
(US); **J. Kevin Clay**, Milford, CT (US)

(73) Assignee: **Abbott Laboratories, Inc.**, Abbott Park,
IL (US)

(**) Term: **14 Years**

(21) Appl. No.: **29/299,745**

(22) Filed: **Jan. 3, 2008**

Related U.S. Application Data

(63) Continuation-in-part of application No. 29/295,921,
filed on Oct. 10, 2007, now Pat. No. Des. 578,401, and
a continuation of application No. 29/299,729, filed on
Jan. 3, 2008, now Pat. No. Des. 600,131.

(51) **LOC (9) Cl.** **09-01**

(52) **U.S. Cl.** **D9/516; D9/564**

(58) **Field of Classification Search** D9/516,
D9/529, 530, 537, 538, 539, 540, 543, 551,
D9/552, 556, 561, 564, 565, 571; 215/381-384;
220/660, 661, 669, 675

See application file for complete search history.

(56) **References Cited**

U.S. PATENT DOCUMENTS

D227,222 S	6/1973	Plumer et al.
D250,392 S	11/1978	Leary et al.
D258,117 S	2/1981	Bashour
4,327,861 A	5/1982	Thompson et al.
D277,551 S	2/1985	Kerr
D279,167 S	6/1985	Haney et al.
D281,577 S	12/1985	Larson et al.
D282,349 S	1/1986	Larson et al.
4,804,097 A	2/1989	Alberghini et al.

D303,084 S	8/1989	Sedam et al.
4,890,752 A	1/1990	Ota et al.
D307,394 S	4/1990	Wetherell, Jr.
D313,178 S	12/1990	Guislain
4,993,565 A	2/1991	Ota et al.
5,065,887 A	11/1991	Schuh et al.
D323,983 S	2/1992	Bastidos
5,141,120 A	8/1992	Brown et al.
5,191,988 A	3/1993	Reil et al.
D343,794 S	2/1994	D'Amico et al.
D354,685 S	1/1995	Krishnakumar et al.
5,392,937 A	2/1995	Prevot et al.
5,518,152 A	5/1996	Burcham et al.
D370,850 S	6/1996	Beaver
5,598,941 A	2/1997	Semersky et al.
D382,485 S	8/1997	Krishnakumar et al.
D385,497 S	10/1997	Krishnakumar et al.
D387,280 S	12/1997	Zimmer et al.
D389,067 S	1/1998	Lown
5,758,790 A	6/1998	Ewing, Jr. et al.

(Continued)

Primary Examiner—Stella M Reid
Assistant Examiner—Elizabeth J Oswecki
(74) *Attorney, Agent, or Firm*—David L. Weinstein

(57) **CLAIM**

The ornamental design for a container, as shown and described.

DESCRIPTION

FIG. 1 is a top, front, left side perspective view of a container showing our new design;

FIG. 2 is a front elevation view thereof;

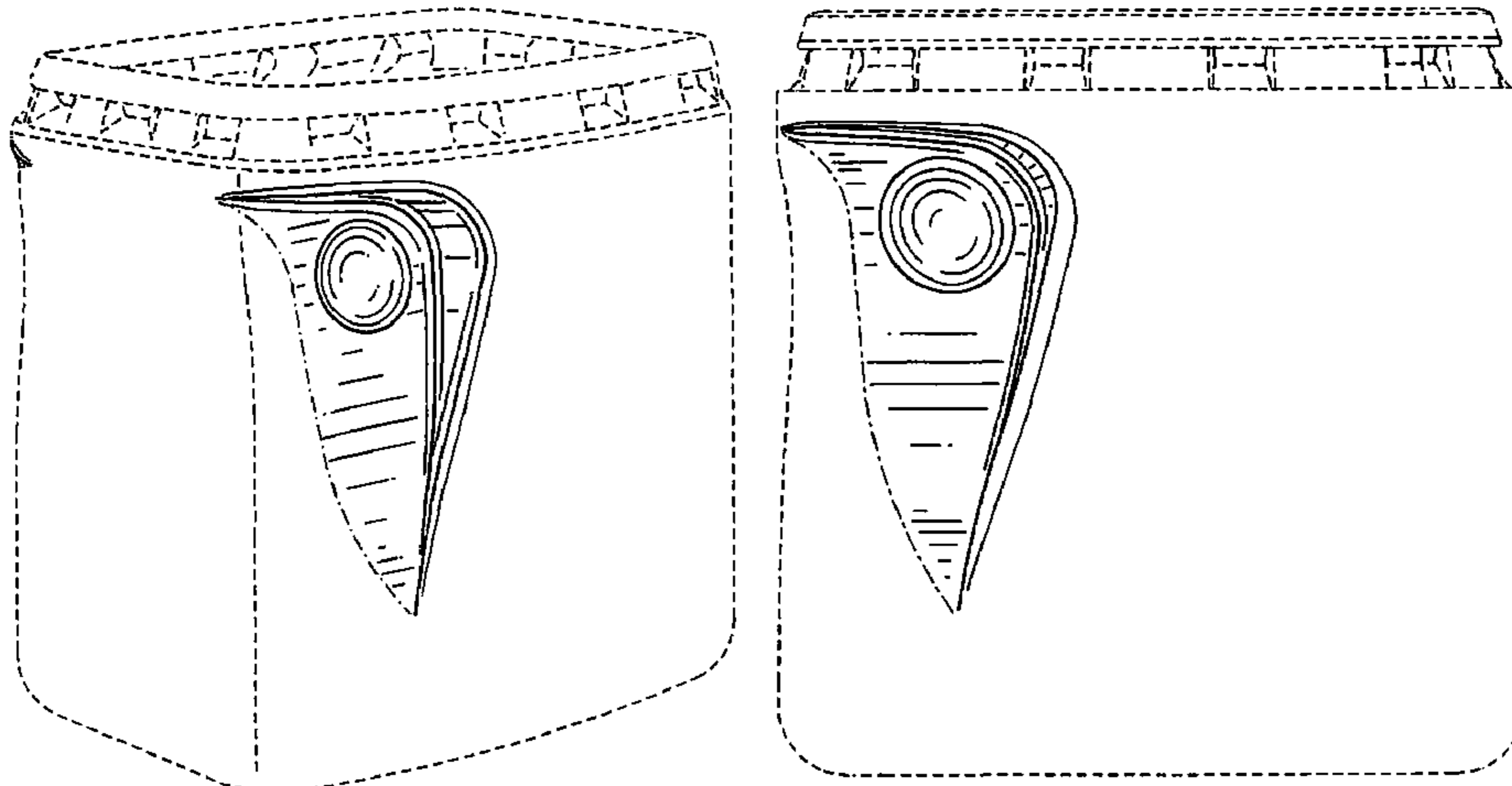
FIG. 3 is a left side elevation view thereof;

FIG. 4 is a top plan view thereof; and,

FIG. 5 is a bottom plan view thereof.

The broken lines shown in the drawings are for illustrative purposes only and form no part of the claimed design.

1 Claim, 4 Drawing Sheets



US D605,041 S

Page 2

U.S. PATENT DOCUMENTS

D399,654 S *	10/1998	Mandell	D3/294	D530,616 S	10/2006	Kipperman et al.	
D402,896 S	12/1998	Conrad		D530,617 S	10/2006	Little et al.	
D416,801 S	11/1999	Macauley et al.		7,156,265 B2	1/2007	Walsh et al.	
D431,470 S	10/2000	Henderson		D536,580 S *	2/2007	Krieger et al.	D7/605
D433,947 S	11/2000	Ewing, Jr.		D550,561 S *	9/2007	Snyder et al.	D9/529
D462,012 S	8/2002	Manderfield, Jr.		D553,988 S *	10/2007	Perry et al.	D9/516
D473,140 S	4/2003	Gilliam et al.		D555,487 S *	11/2007	Perry et al.	D9/543
D475,628 S	6/2003	Walsh et al.		D578,401 S *	10/2008	Perry et al.	D9/543
D476,898 S	7/2003	Schuller et al.		D586,215 S *	2/2009	Gonzalez et al.	D9/516
D479,784 S *	9/2003	Shah	D7/605	D590,261 S *	4/2009	Howes	D9/523
D482,287 S	11/2003	Kraft et al.		2003/0121941 A1	7/2003	Walsh et al.	
D498,679 S	11/2004	Meeker et al.		2003/0218020 A1	11/2003	Gilliam et al.	
D507,184 S	7/2005	Beaver et al.		2004/0011811 A1	1/2004	McLelland et al.	
D509,437 S	9/2005	Crawford et al.		2004/0238553 A1	12/2004	Lane et al.	
7,097,060 B2	8/2006	Penny et al.		2005/0252881 A1	11/2005	Zhang et al.	
7,097,061 B2	8/2006	Simpson, Jr. et al.		2006/0131347 A1	6/2006	Nottingham et al.	
D528,007 S	9/2006	De Niverville et al.		2006/0180568 A1	8/2006	Lane et al.	
				2006/0207963 A1	9/2006	Little et al.	
				2006/0273118 A1	12/2006	Walsh et al.	

* cited by examiner

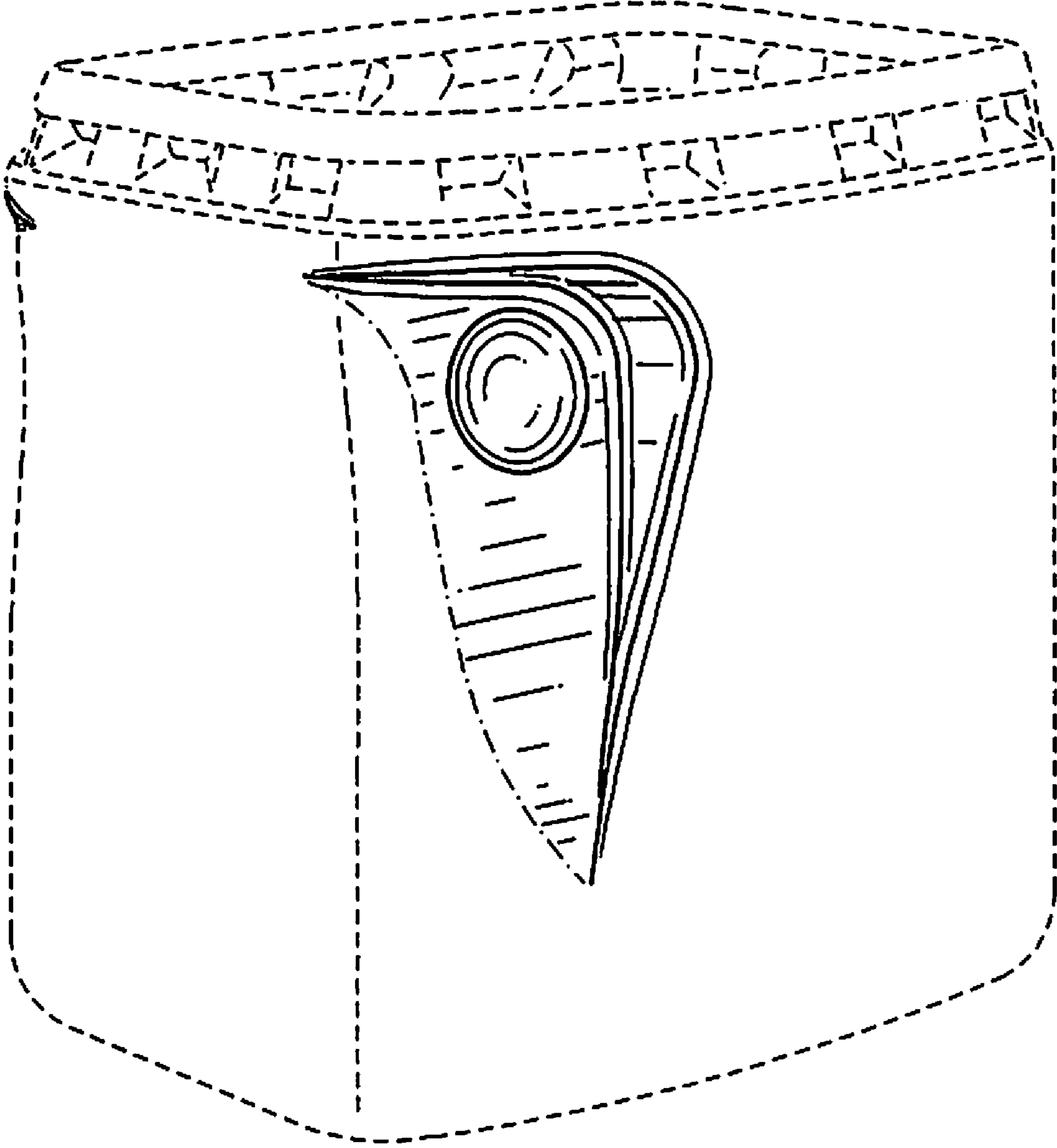


FIG. 1

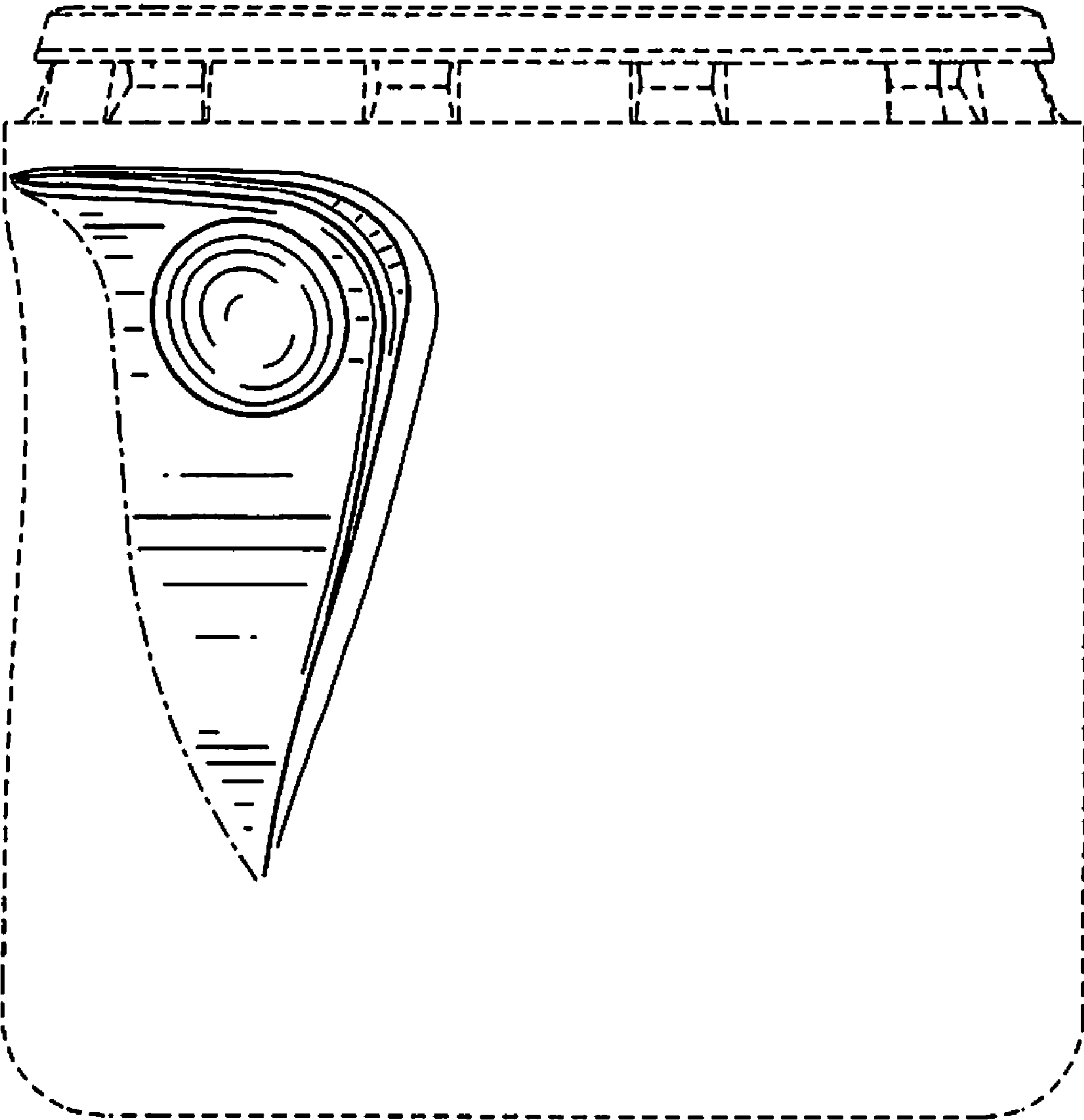


FIG. 2

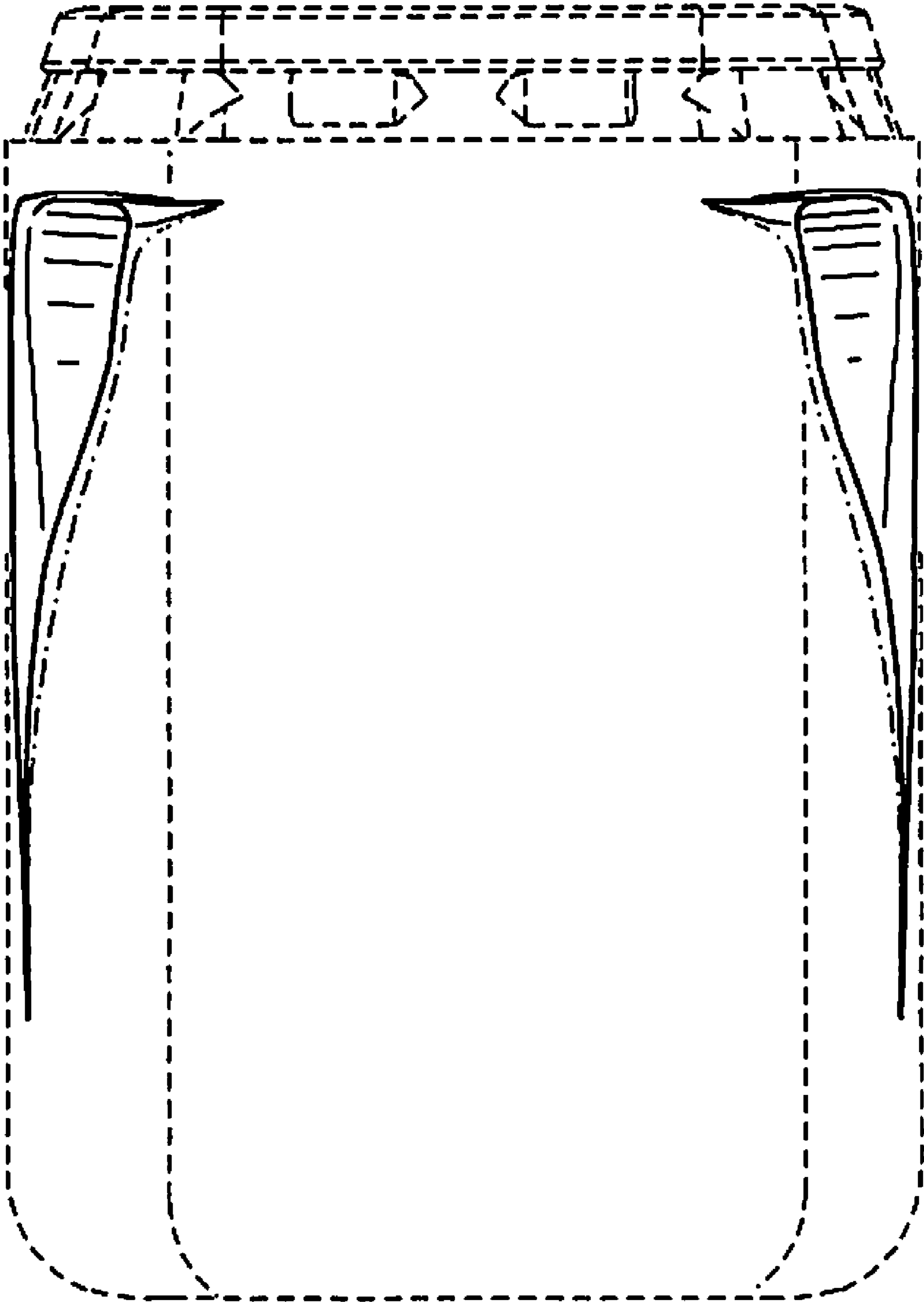


FIG. 3

FIG. 4

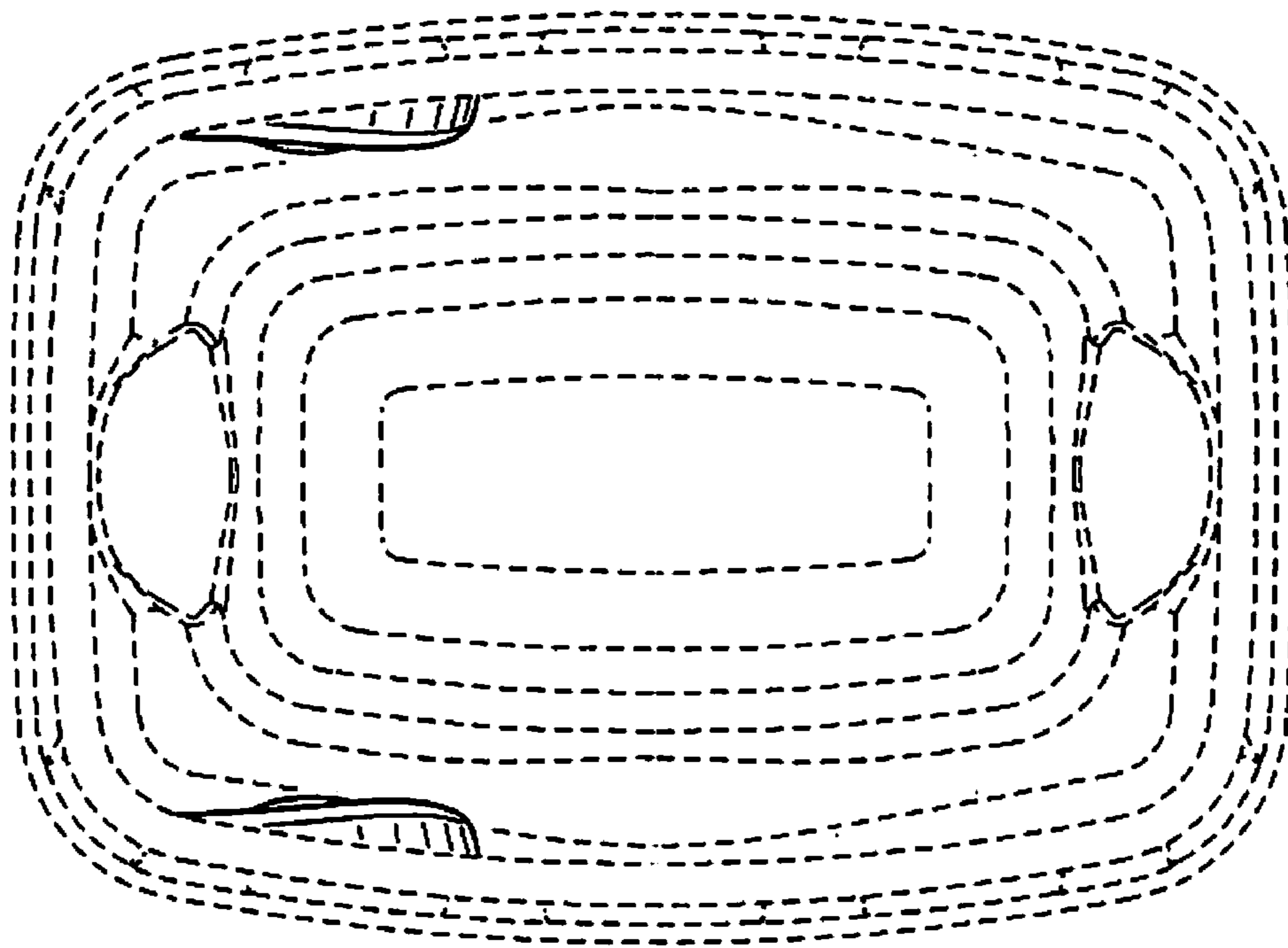


FIG. 5

