



US00D605039S

(12) **United States Design Patent**
Yeh

(10) **Patent No.:** **US D605,039 S**

(45) **Date of Patent:** **** Dec. 1, 2009**

(54) **DRINKING CONTAINER HOLDER**

D458,074 S * 6/2002 Bodum D7/319
D458,505 S * 6/2002 Bodum D7/319
D590,714 S * 4/2009 Sanders D9/455

(75) Inventor: **Chin-Chen Yeh**, Changhua (TW)

(73) Assignee: **Yukawa Enterprise Co., Ltd.**,
Changhua County (TW)

(**) Term: **14 Years**

* cited by examiner

Primary Examiner—Susan Bennett Hattan

(74) *Attorney, Agent, or Firm*—Egbert Law Offices PLLC

(21) Appl. No.: **29/339,215**

(57) **CLAIM**

(22) Filed: **Jun. 26, 2009**

The ornamental design for a drinking container holder, as shown and described.

(51) **LOC (9) Cl.** **09-07**

(52) **U.S. Cl.** **D9/455**

(58) **Field of Classification Search** D9/732,
D9/624, 455, 443, 434, 415; D8/394; D7/619.1,
D7/536, 396.2, 392.1, 387, 319, 317; D20/28,
D20/18; D19/20; 40/324, 310; 294/312.2,
294/27.1; 222/1; 220/759, 742, 737, 710.5
See application file for complete search history.

DESCRIPTION

FIG. 1 is an upper perspective view of the drinking container holder showing my design.

FIG. 2 is a front elevation view thereof;

FIG. 3 is back elevation view thereof;

FIG. 4 is a side elevation view thereof;

FIG. 5 is an opposite side elevation view thereof;

FIG. 6 is a top plan view thereof;

FIG. 7 is a bottom plan view thereof;

FIG. 8 is an upper perspective view thereof showing a cup being positioned within the holder; and,

FIG. 9 is an upper perspective view thereof showing a water bottle being positioned within the holder.

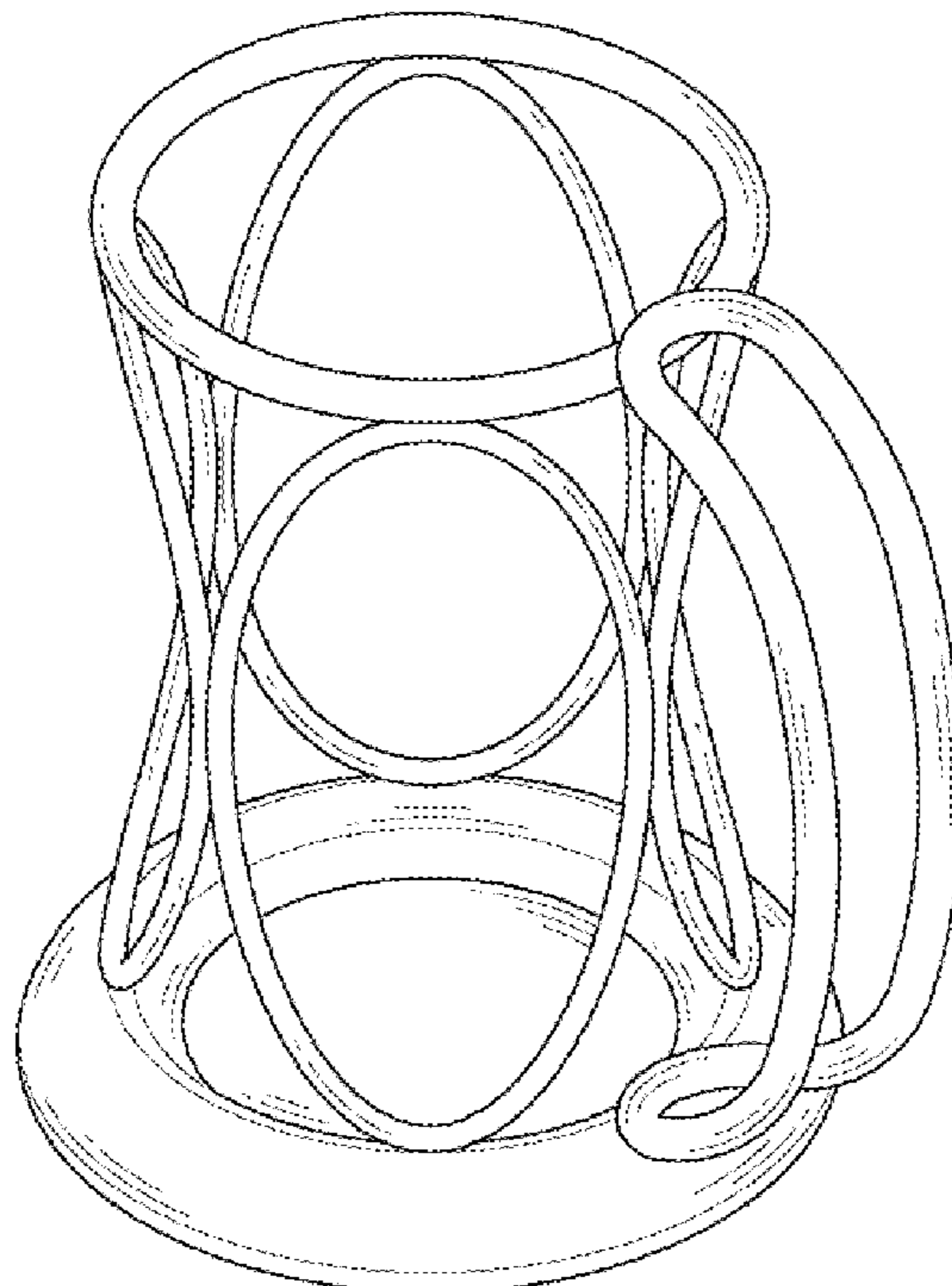
Broken lines are for illustrative purposes and form no part of the claimed design.

(56) **References Cited**

U.S. PATENT DOCUMENTS

445,719 A * 2/1891 Schillinger 220/737
556,337 A * 3/1896 Dawes 248/145.6
D37,943 S * 4/1906 Conlin D7/622
D302,634 S * 8/1989 Segal D7/536
D323,598 S * 2/1992 Sambinelli D7/317
D375,229 S * 11/1996 DiBella D7/619.1
D395,238 S * 6/1998 Freitas D9/455
D395,825 S * 7/1998 Freitas D9/455
D416,444 S * 11/1999 Jørgensen D7/536
D452,117 S * 12/2001 Yeh D7/536

1 Claim, 6 Drawing Sheets



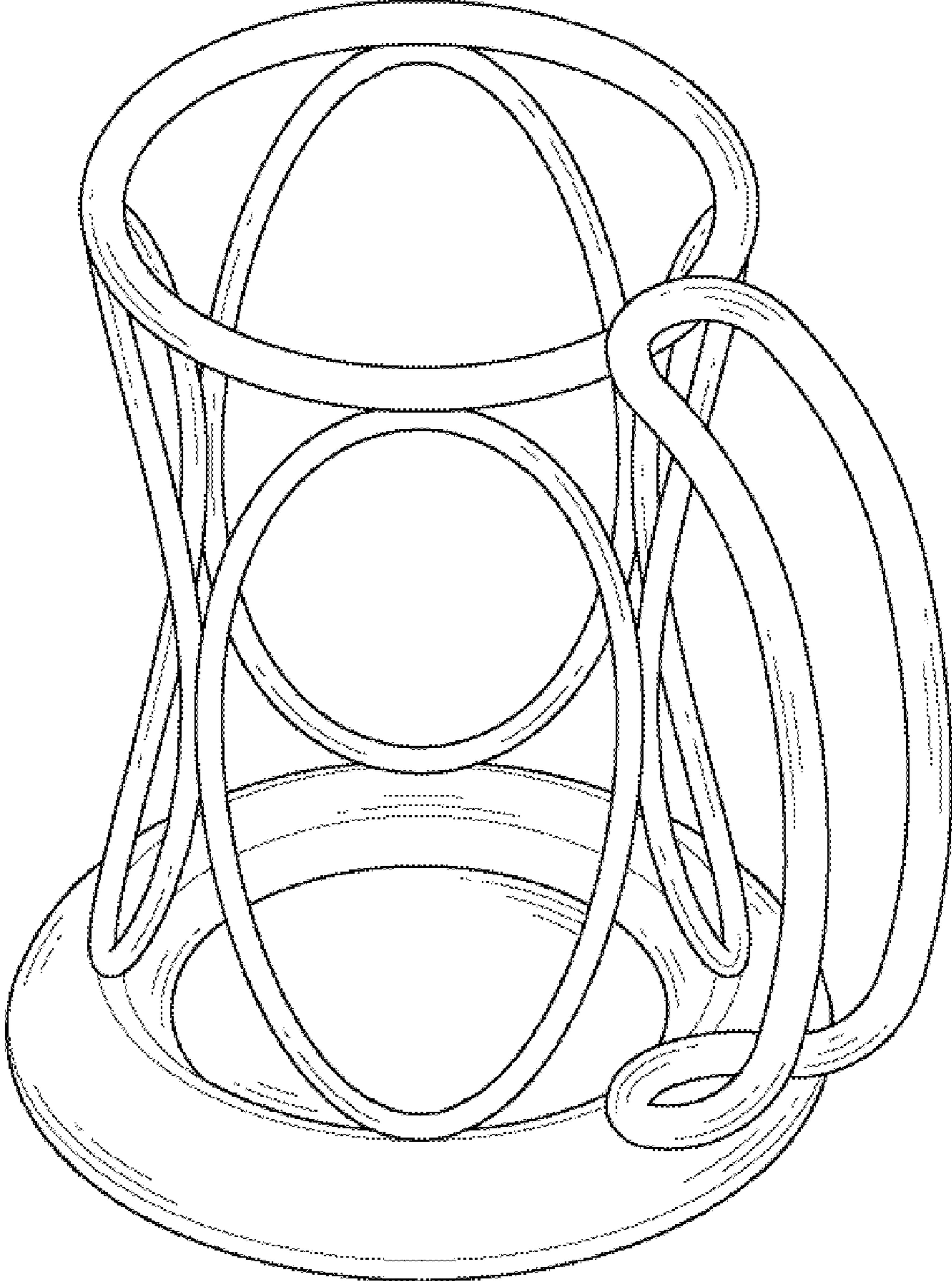


FIG.1

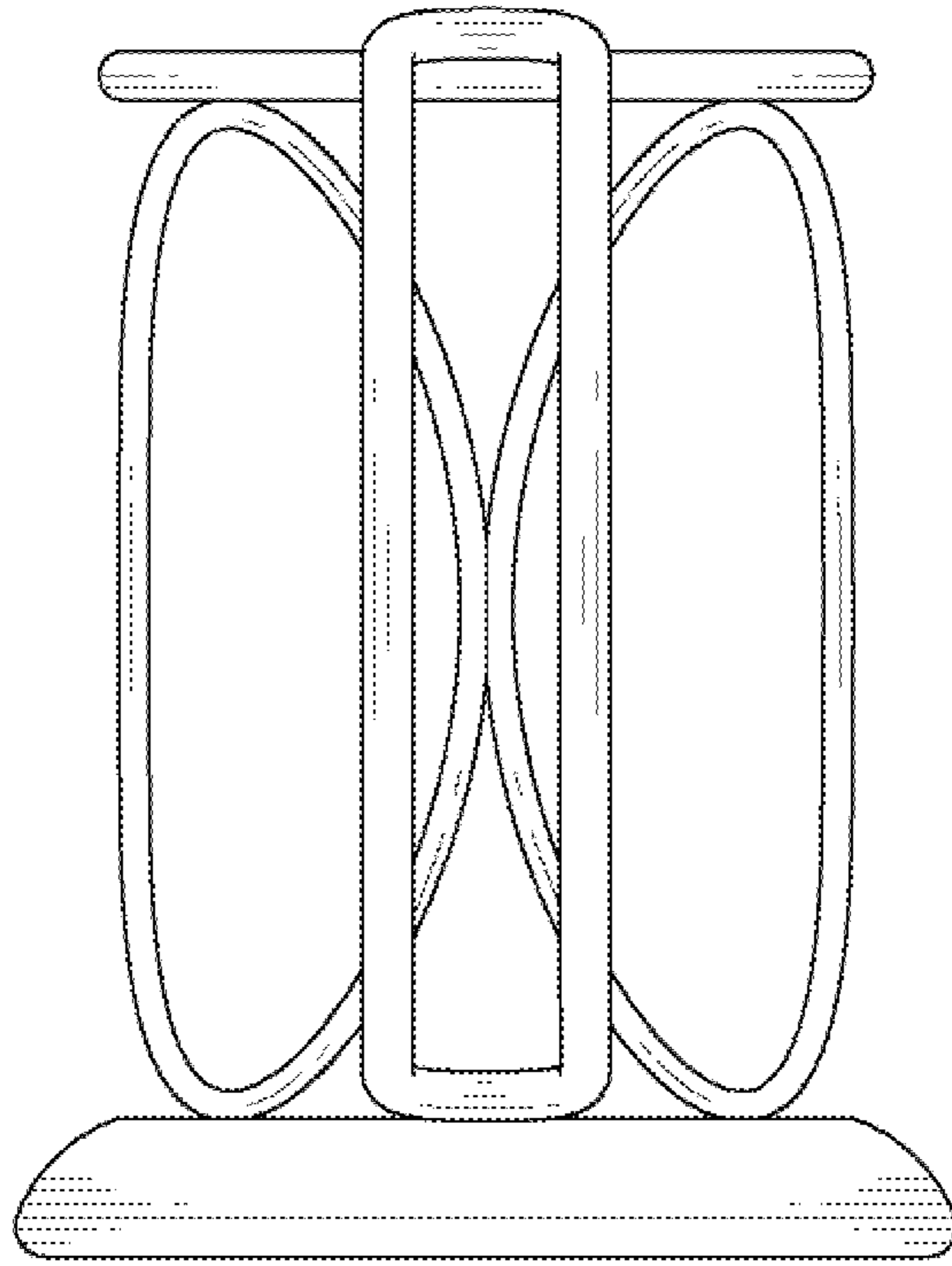


FIG. 2

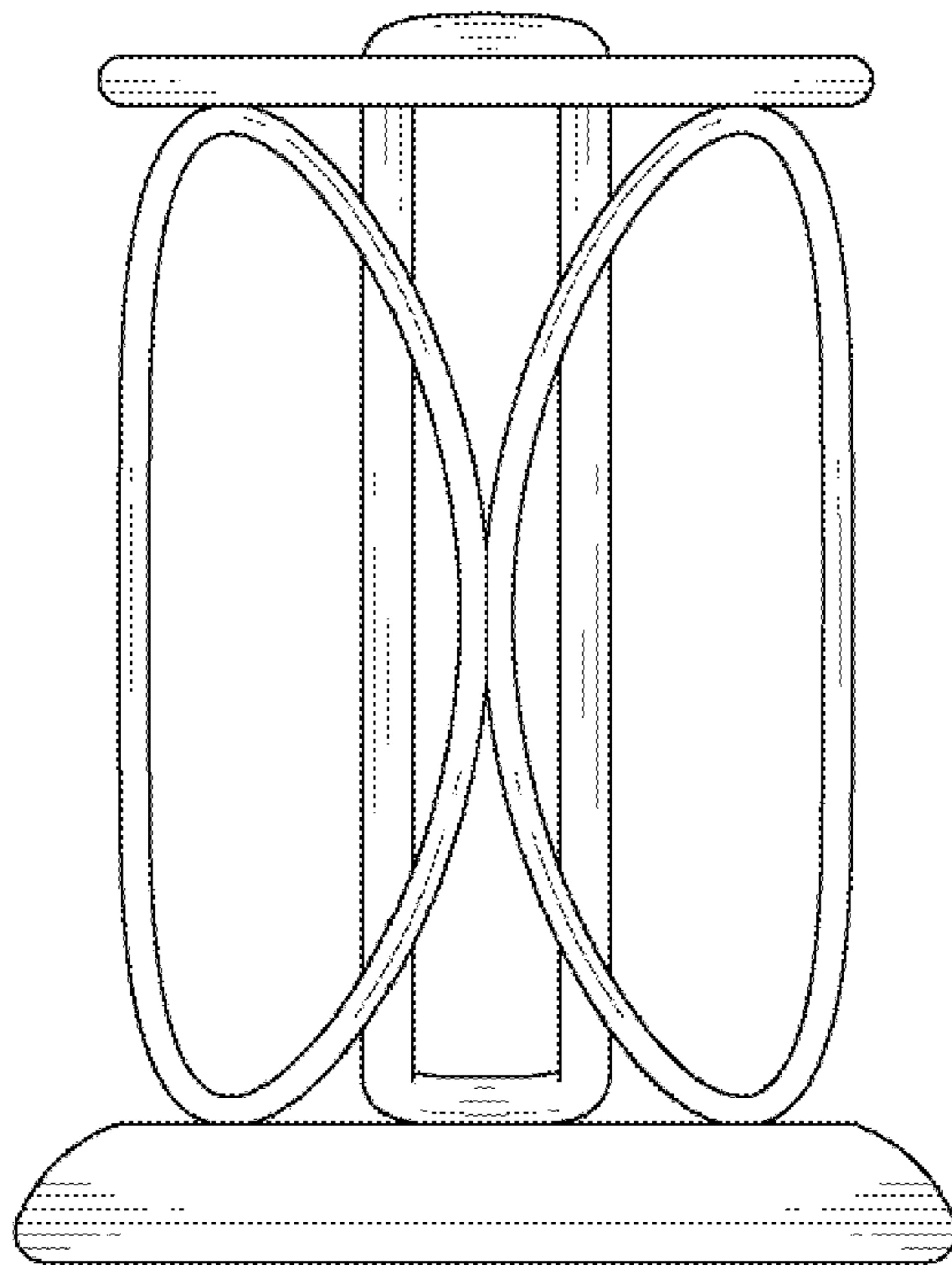


FIG. 3

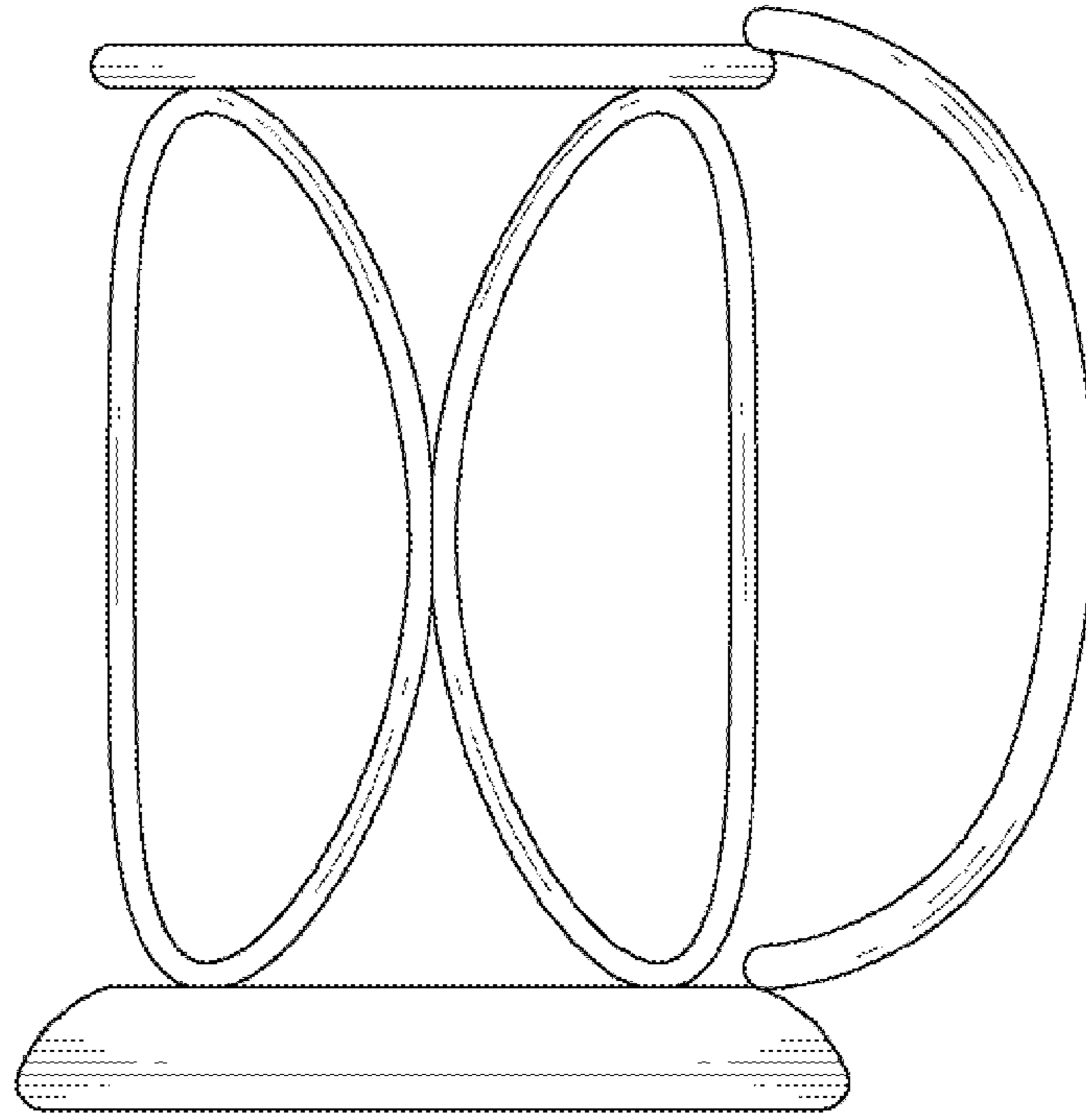


FIG. 4

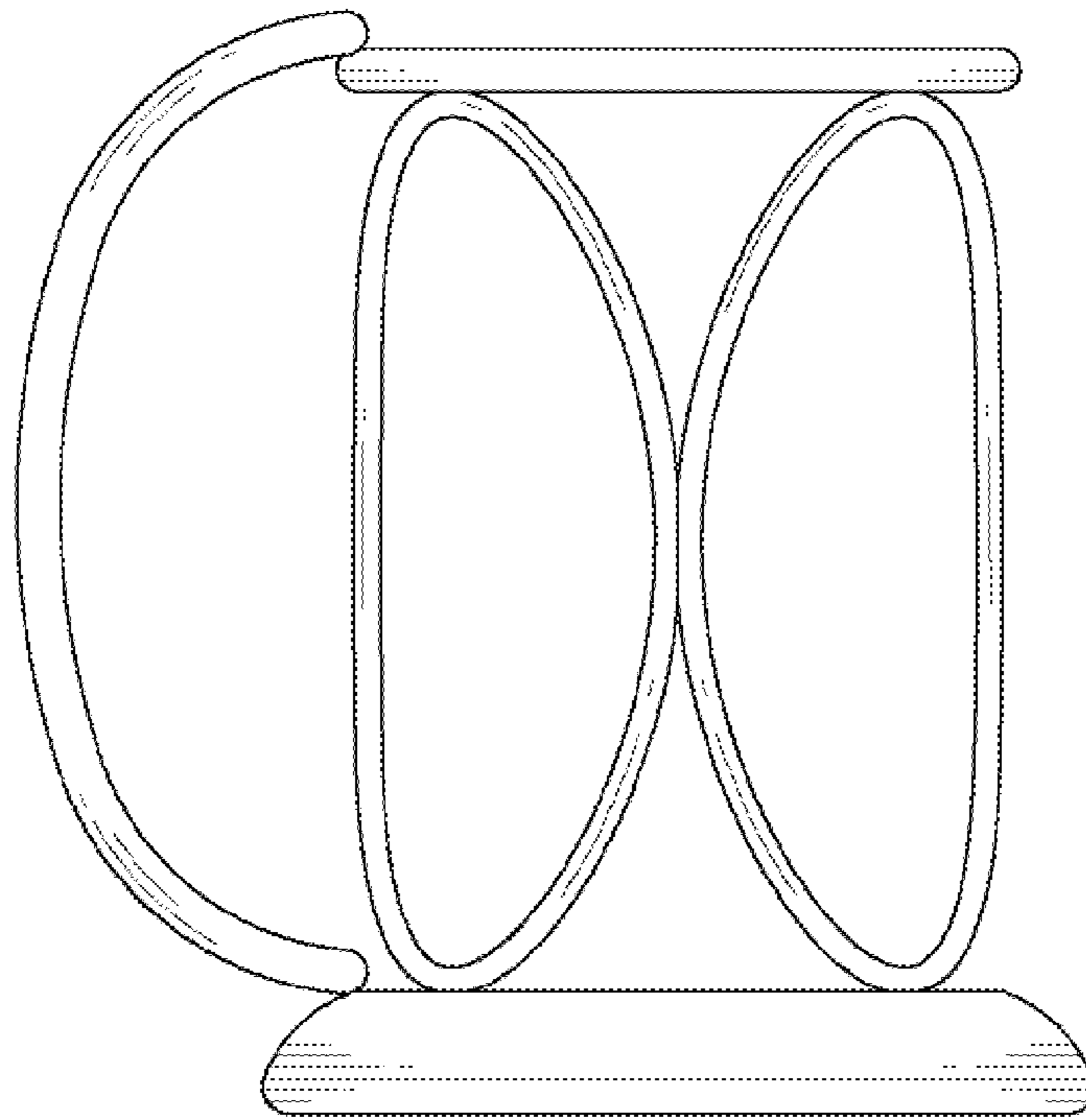


FIG. 5

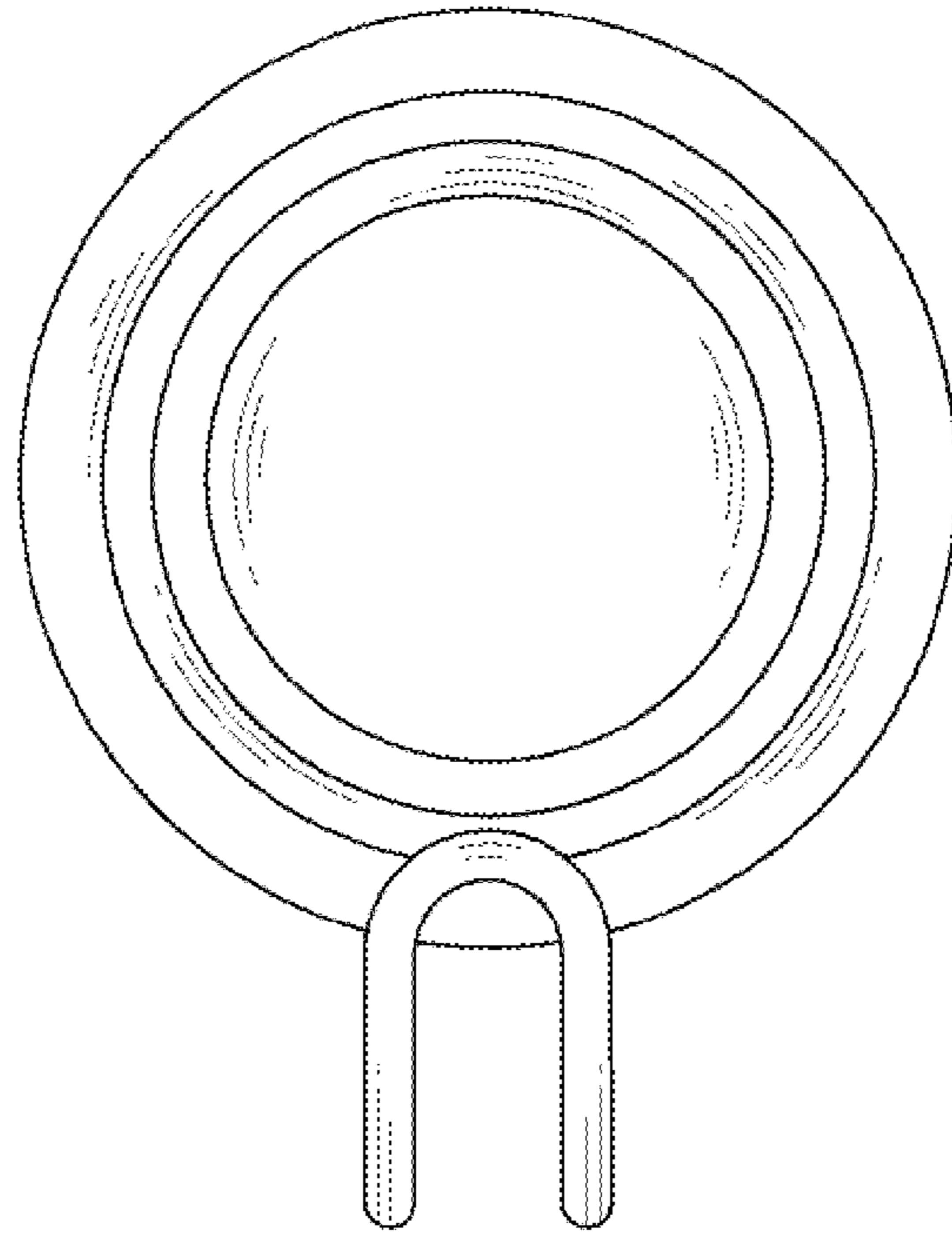


FIG. 6

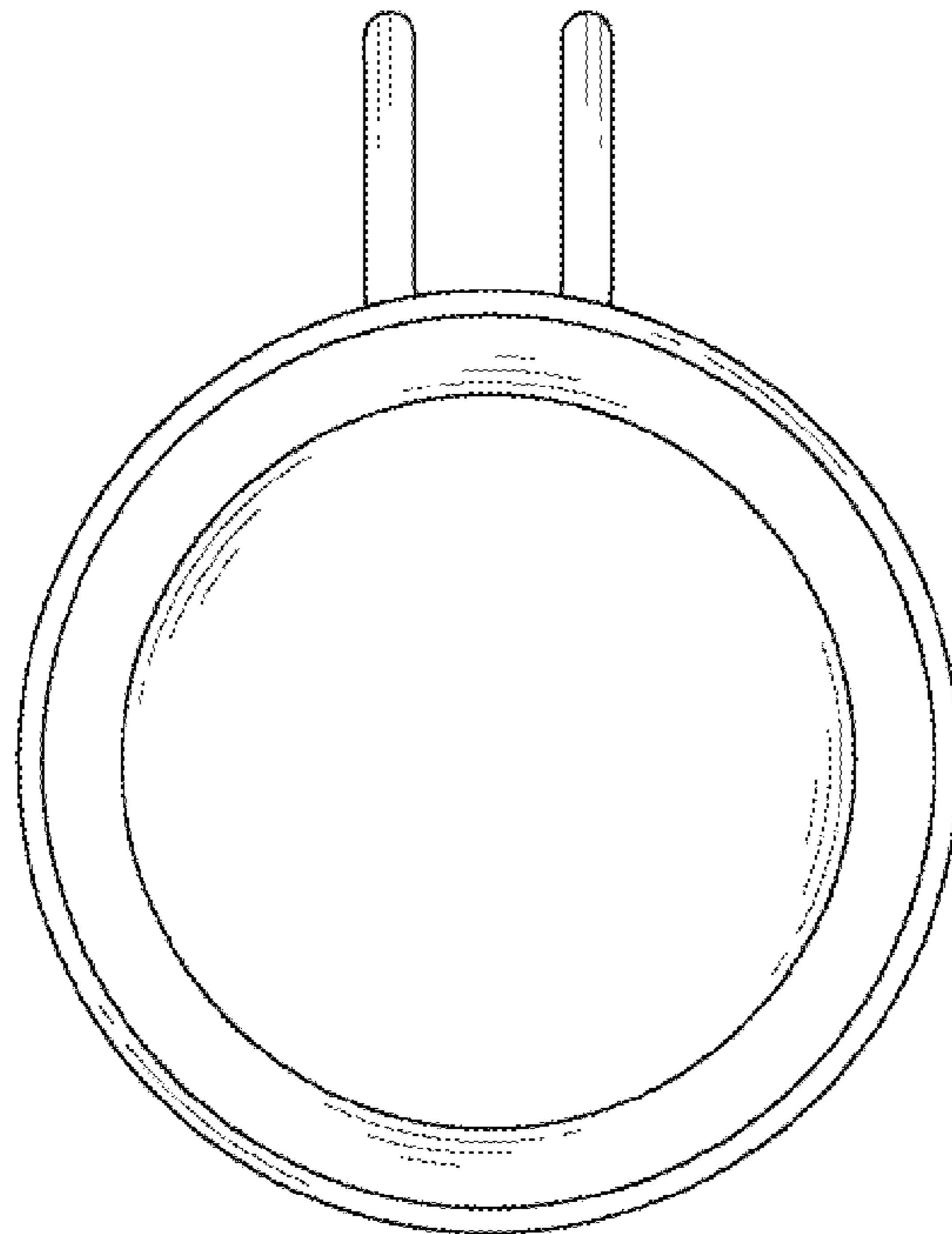


FIG. 7

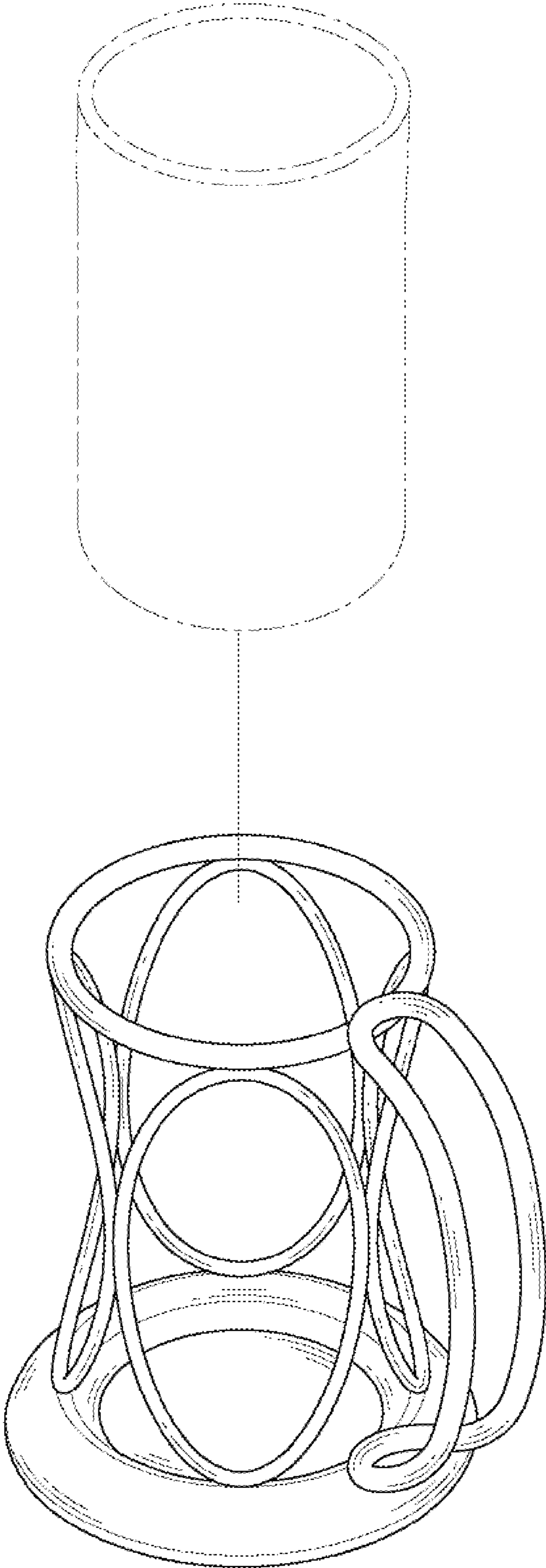


FIG. 8

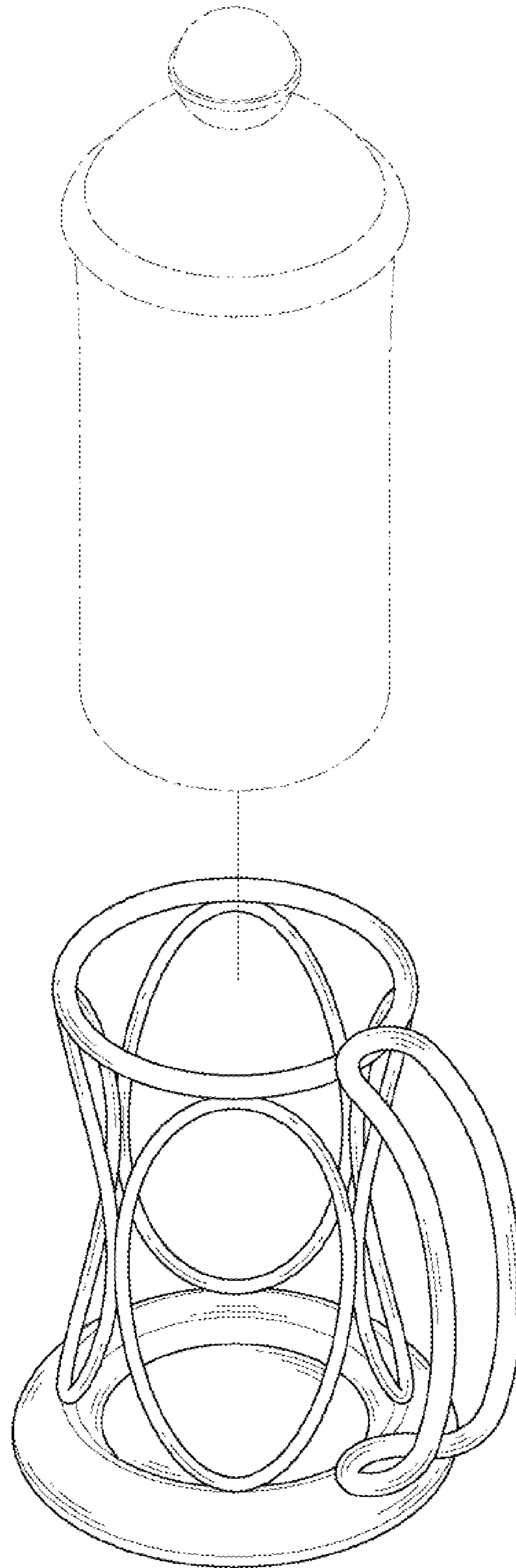


FIG. 9