



US00D605038S

(12) **United States Design Patent**  
**Olive-Bartres et al.**

(10) **Patent No.:** **US D605,038 S**

(45) **Date of Patent:** **\*\* Dec. 1, 2009**

(54) **CAN END**

(75) Inventors: **Nicolás Olive-Bartres**, Granollers (ES);  
**José Lladós-Casablanca**, Granollers  
(ES)

(73) Assignee: **Surenso, S.L.**, Barcelona (ES)

(\*\*) Term: **14 Years**

(21) Appl. No.: **29/311,139**

(22) Filed: **Dec. 31, 2008**

(51) **LOC (9) Cl.** ..... **09-07**

(52) **U.S. Cl.** ..... **D9/453; D9/454**

(58) **Field of Classification Search** ..... D9/772,  
D9/724, 556, 529, 454, 453, 452, 449, 443,  
D9/439; D8/312, 107; D7/392.1; D23/261;  
D14/217; D12/197; 229/123.1; 222/541.2;  
220/288; 215/350, 344, 295, 270, 256, 252,  
215/218, 216, 209, 206

See application file for complete search history.

(56) **References Cited**

**U.S. PATENT DOCUMENTS**

1,784,089 A \* 12/1930 Carr ..... 215/295  
2,104,236 A \* 1/1938 Mermer ..... 215/252  
D141,415 S \* 5/1945 Wargel ..... D9/556  
D202,003 S \* 8/1965 Douglas ..... D9/772

D279,803 S \* 7/1985 Manning ..... D21/443  
D284,266 S \* 6/1986 Resan ..... D8/382  
D374,822 S \* 10/1996 Philips ..... D9/453  
D560,120 S \* 1/2008 Maravich et al. .... D9/454  
D574,708 S \* 8/2008 Reed et al. .... D9/453  
D576,878 S \* 9/2008 Brashear ..... D9/453

\* cited by examiner

*Primary Examiner*—Susan Bennett Hattan

(74) *Attorney, Agent, or Firm*—Staas & Halsey LLP

(57) **CLAIM**

The ornamental design for a can end, as shown and described.

**DESCRIPTION**

FIG. 1 is a front perspective view of a can end showing our design;

FIG. 2 is a front view thereof;

FIG. 3 is a left side view thereof;

FIG. 4 is a top view thereof;

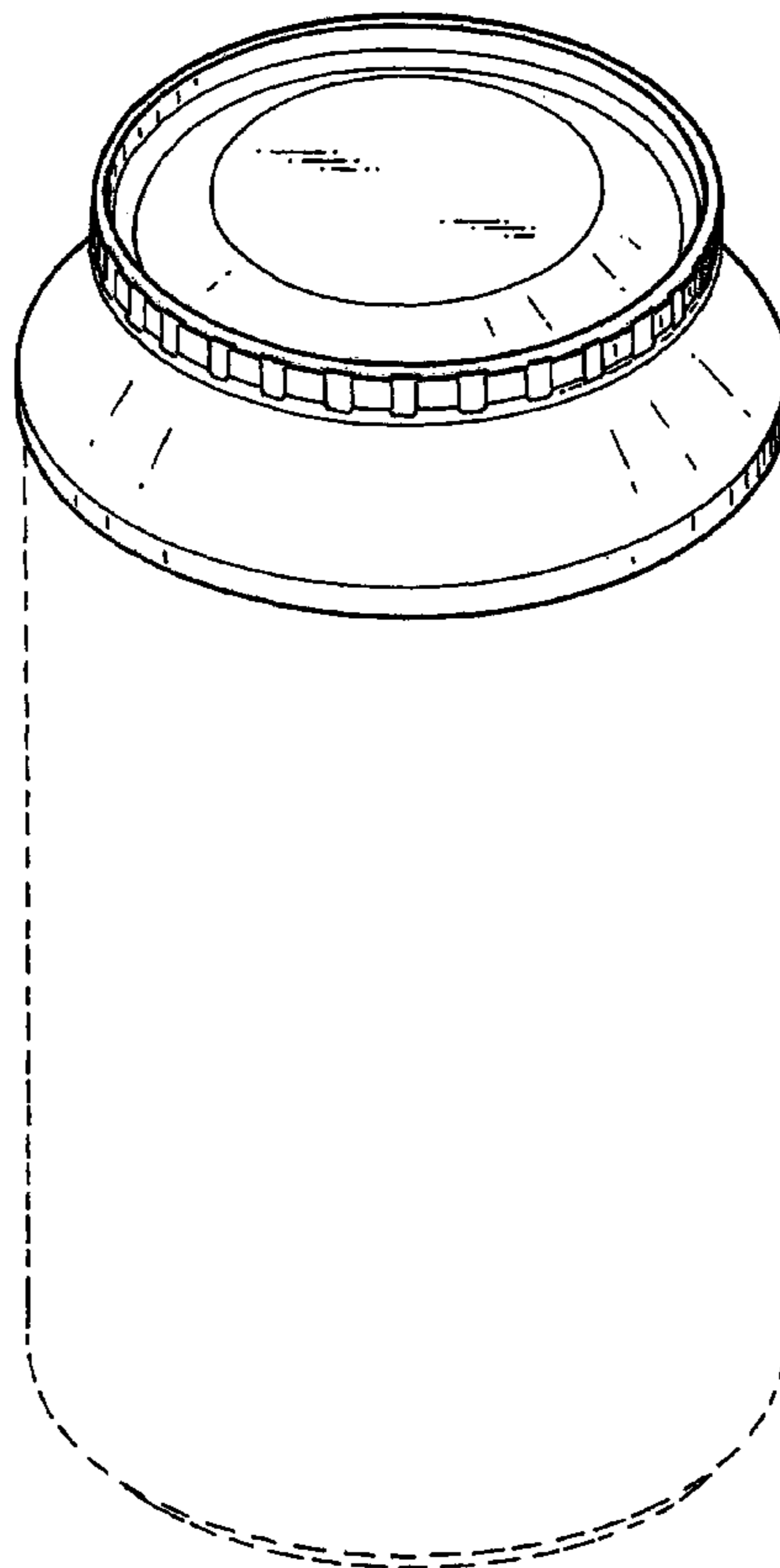
FIG. 5 is a bottom view thereof;

FIG. 6 is a side, full sectional view thereof taken in the direction of line 6—6 in FIG. 4; and,

FIG. 7 is a partial view of FIG. 6, enlarged to show detail.

The broken lines shown in FIG. 1 are for the purpose of illustrating a can and form no part of the claimed design.

**1 Claim, 7 Drawing Sheets**



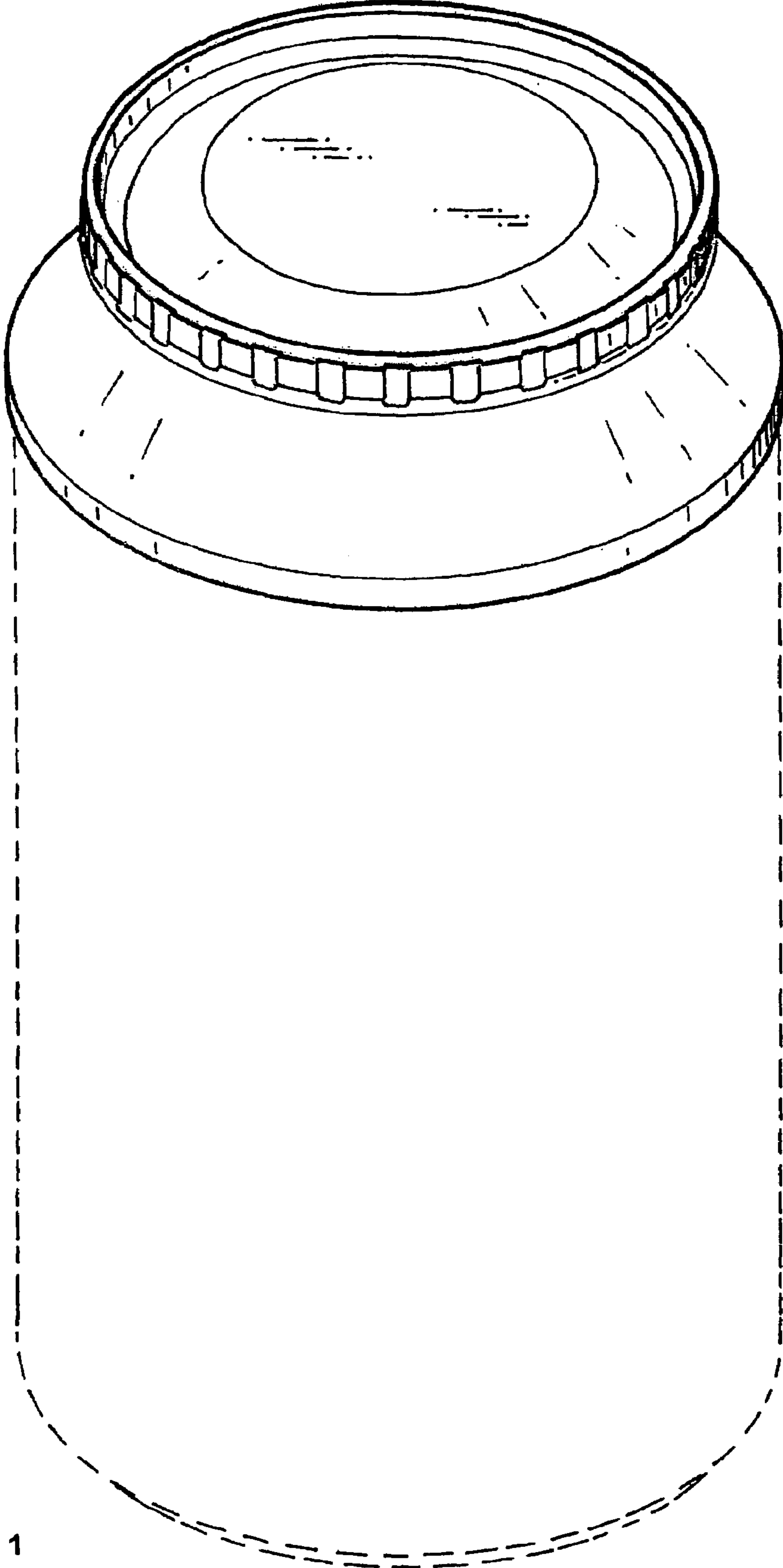


FIG. 1

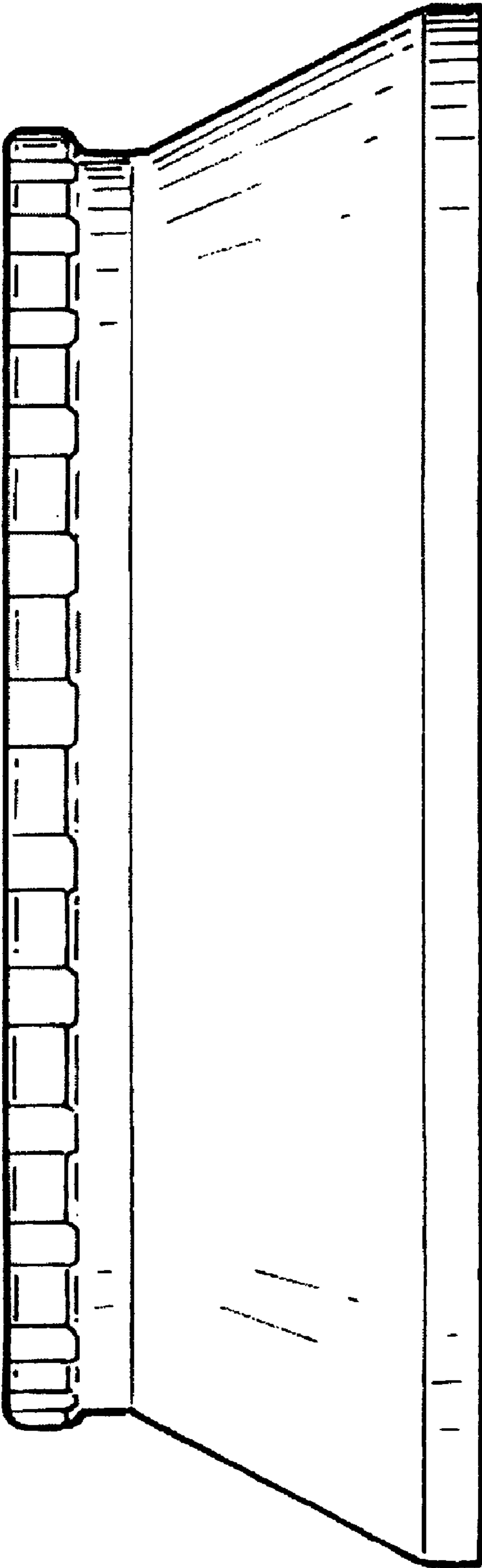


FIG. 2

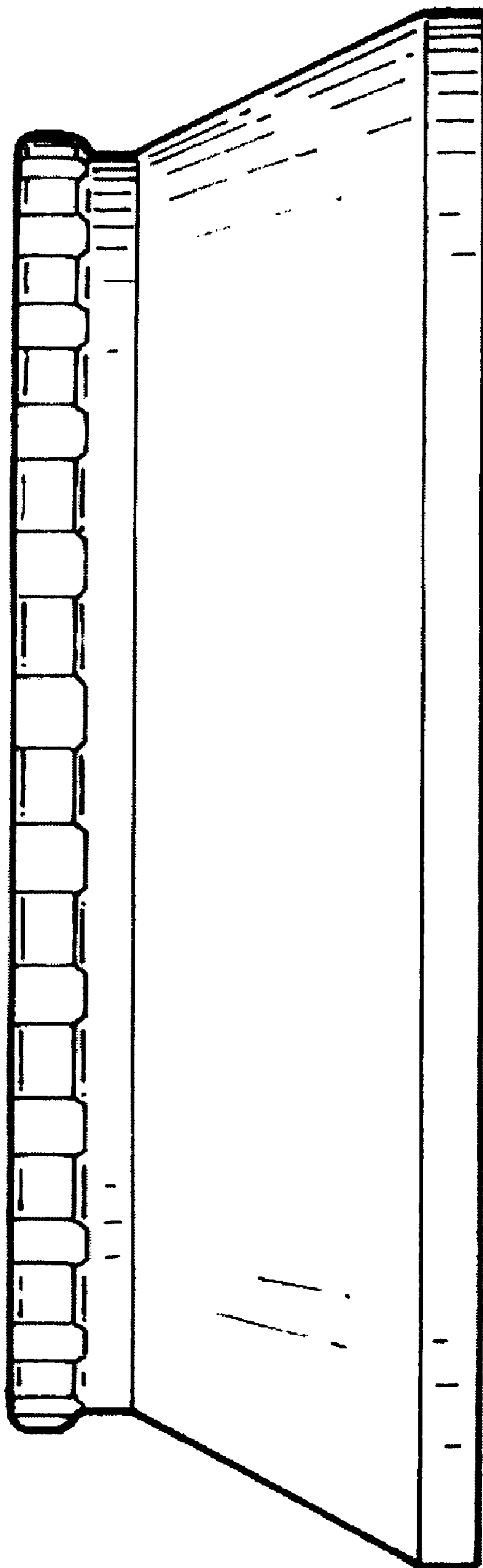


FIG. 3

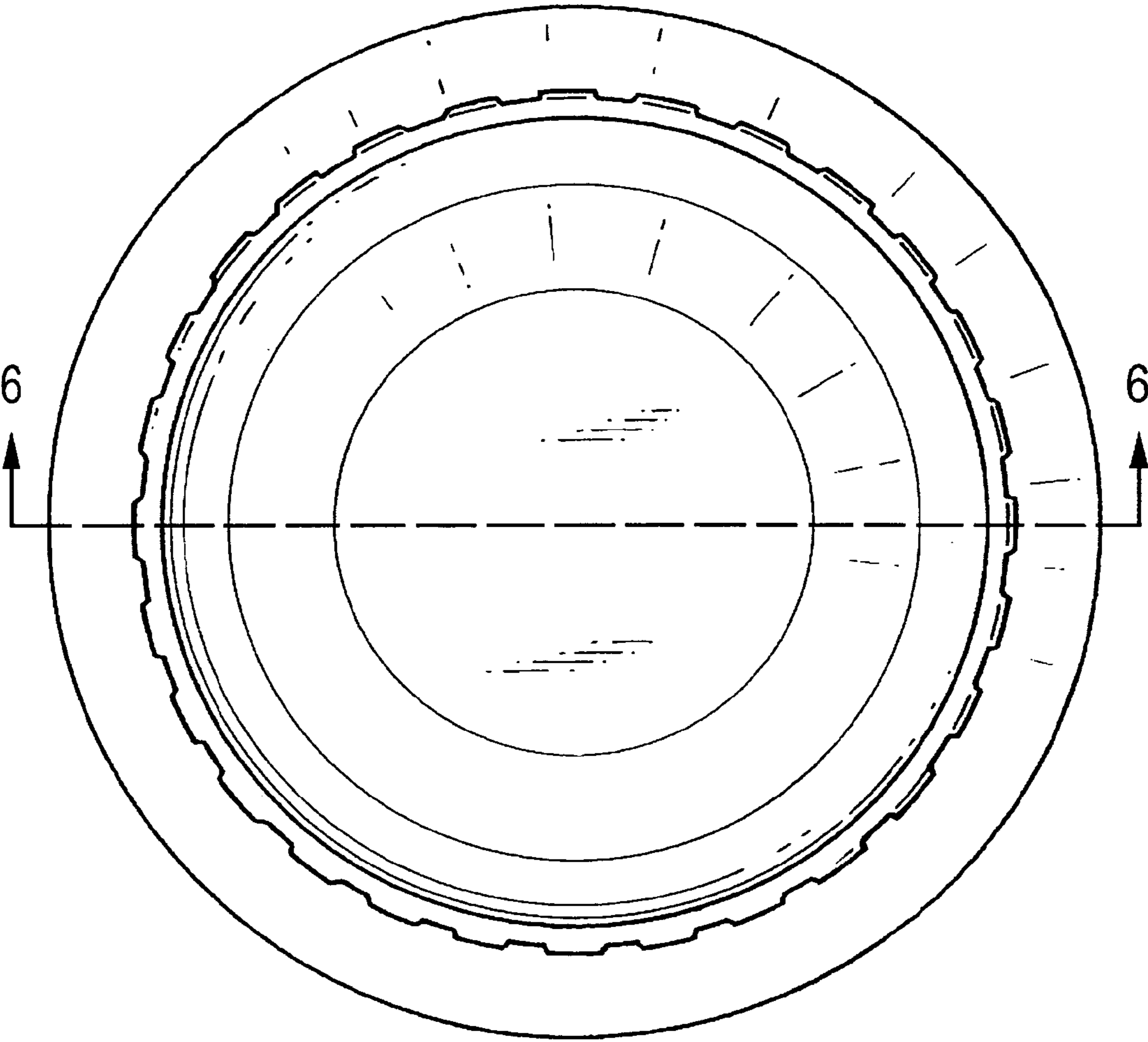


FIG. 4

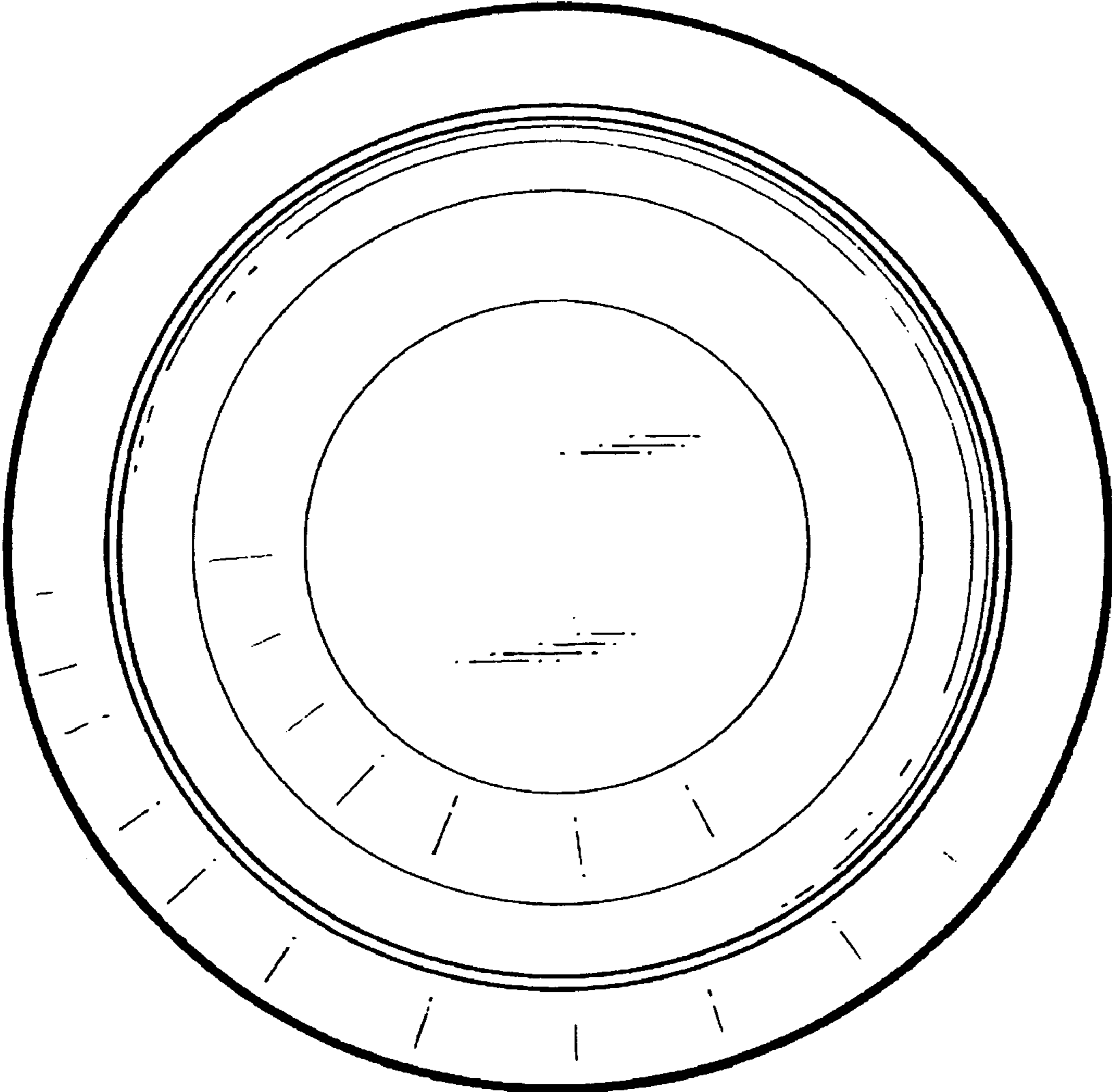


FIG. 5

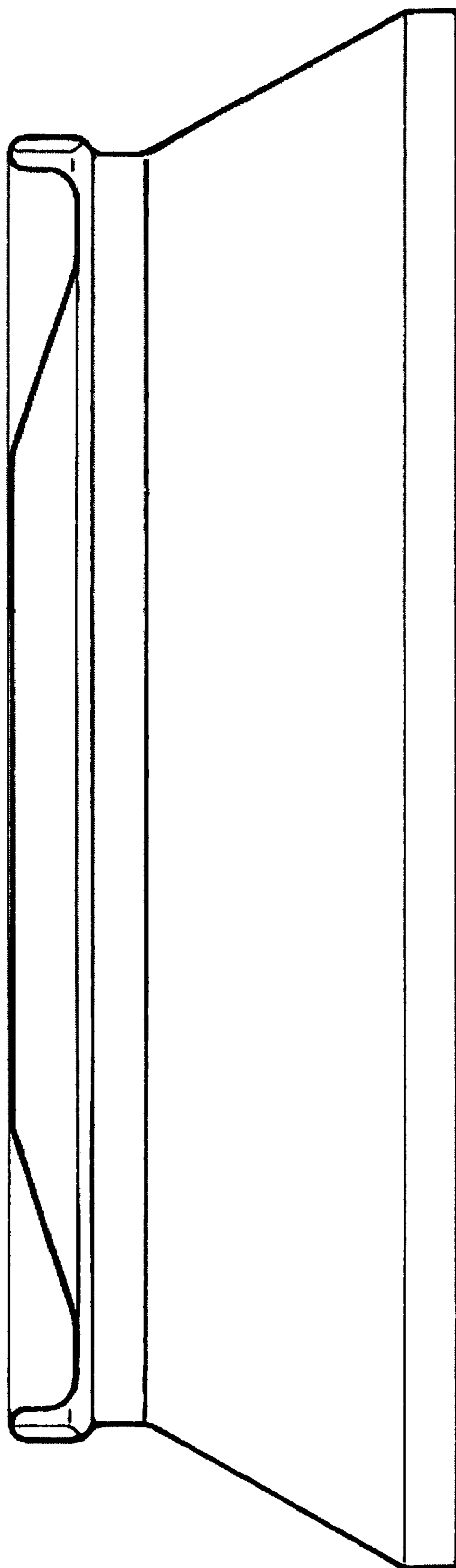


FIG. 6

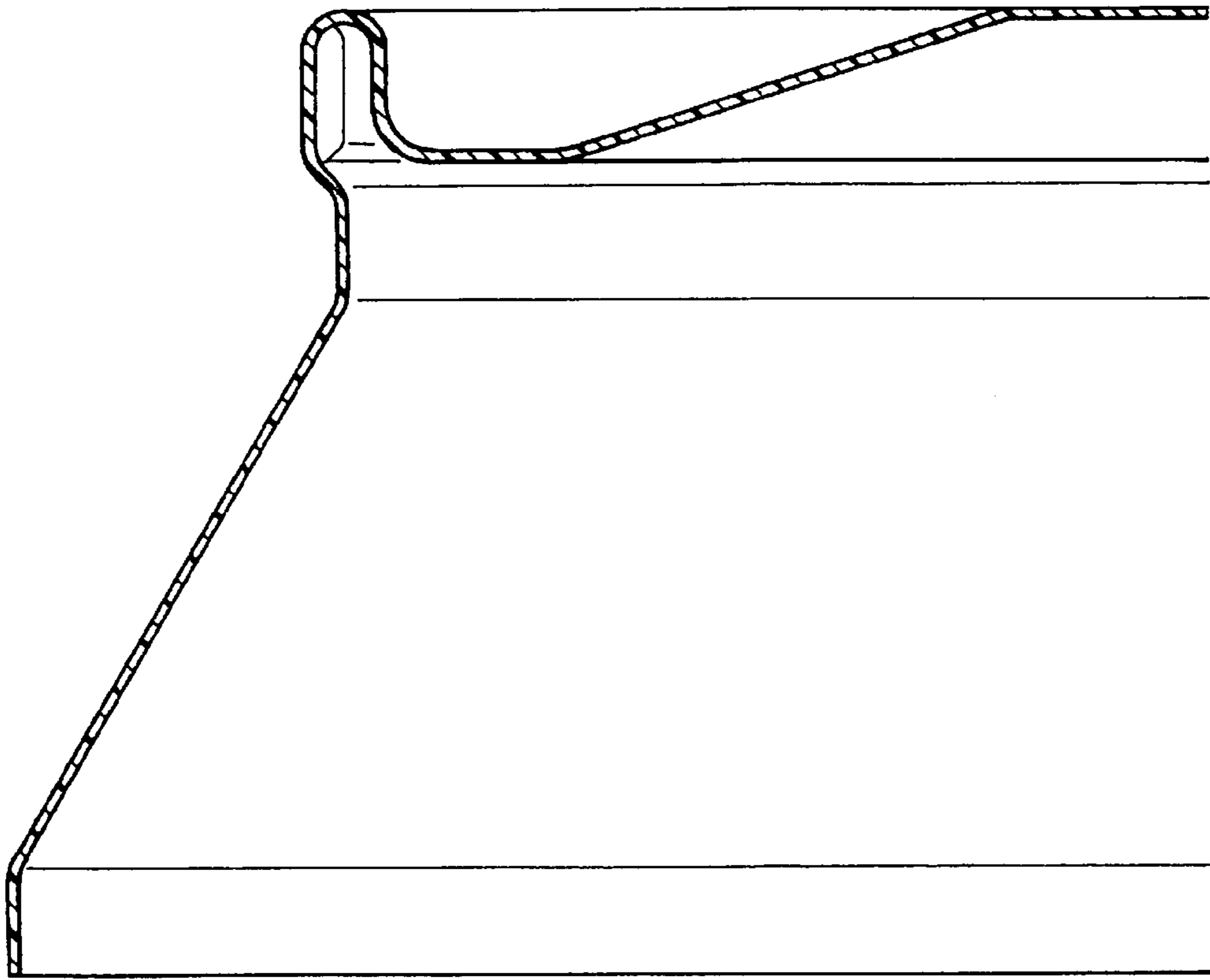


FIG. 7