



US00D605034S

(12) **United States Design Patent**
Sarantis

(10) **Patent No.:** **US D605,034 S**

(45) **Date of Patent:** **** Dec. 1, 2009**

(54) **BOX FOR PERFUME CONTAINER**

(75) Inventor: **Kyriakos Sarantis**, Amarousio (GR)

(73) Assignee: **GR. Sarantis Anonymi Viomichaniki & Emporiki Etairia Kallyntikon, Endymaton, Oikiakon & Pharmakeftikon Eidon**, Amarousio (GR)

(**) Term: **14 Years**

(21) Appl. No.: **29/314,246**

(22) Filed: **Mar. 16, 2009**

(30) **Foreign Application Priority Data**

Dec. 12, 2008 (UA) 2008 02181

(51) **LOC (9) Cl.** **09-03**

(52) **U.S. Cl.** **D9/430**

(58) **Field of Classification Search** D9/430-433, D9/414, 418, 420-423; D3/272; 206/278, 206/297, 299, 457, 770, 737, 822; 229/100, 229/101, 101.3, 106, 108, 108.1, 116.1, 116.3, 229/116.5, 121, 122, 201, 213, 221, 222, 229/227, 922, 939, 942

See application file for complete search history.

(56) **References Cited**

U.S. PATENT DOCUMENTS

D38,170 S * 8/1906 Rudolphi D9/432
D52,818 S * 12/1918 Flannery, Jr. D9/457
D218,679 S * 9/1970 Current et al. D9/423
D259,101 S * 5/1981 Grodin D9/414
D269,249 S * 6/1983 Cillario D9/424
D278,207 S * 4/1985 McLaughlin D3/203.2

D295,957 S * 5/1988 Sussman D9/418
D464,567 S * 10/2002 Baerenwald et al. D9/432
D511,094 S * 11/2005 Schuller et al. D9/444
D536,962 S * 2/2007 Tanner D9/424
D546,671 S * 7/2007 Cronin et al. D9/420
D554,502 S * 11/2007 Hoffman et al. D9/432

OTHER PUBLICATIONS

Aramis, Inc.; Box for Perfume Containers; Photograph; in the U.S. since Feb. 2007.

* cited by examiner

Primary Examiner—Robert M Spear

Assistant Examiner—Karen Acker

(74) *Attorney, Agent, or Firm*—Fross Zelnick Lehrman & Zissu, P.C.; Lawrence E. Apolzon, Esq.

(57) **CLAIM**

The ornamental design for a box for perfume container, as shown and described.

DESCRIPTION

FIG. 1 is a front perspective view of a box for perfume container showing my design;

FIG. 2 is a front view of the box shown in FIG. 1;

FIG. 3 is a rear view of the box shown in FIG. 1;

FIG. 4 is a left side view of the box shown in FIG. 1;

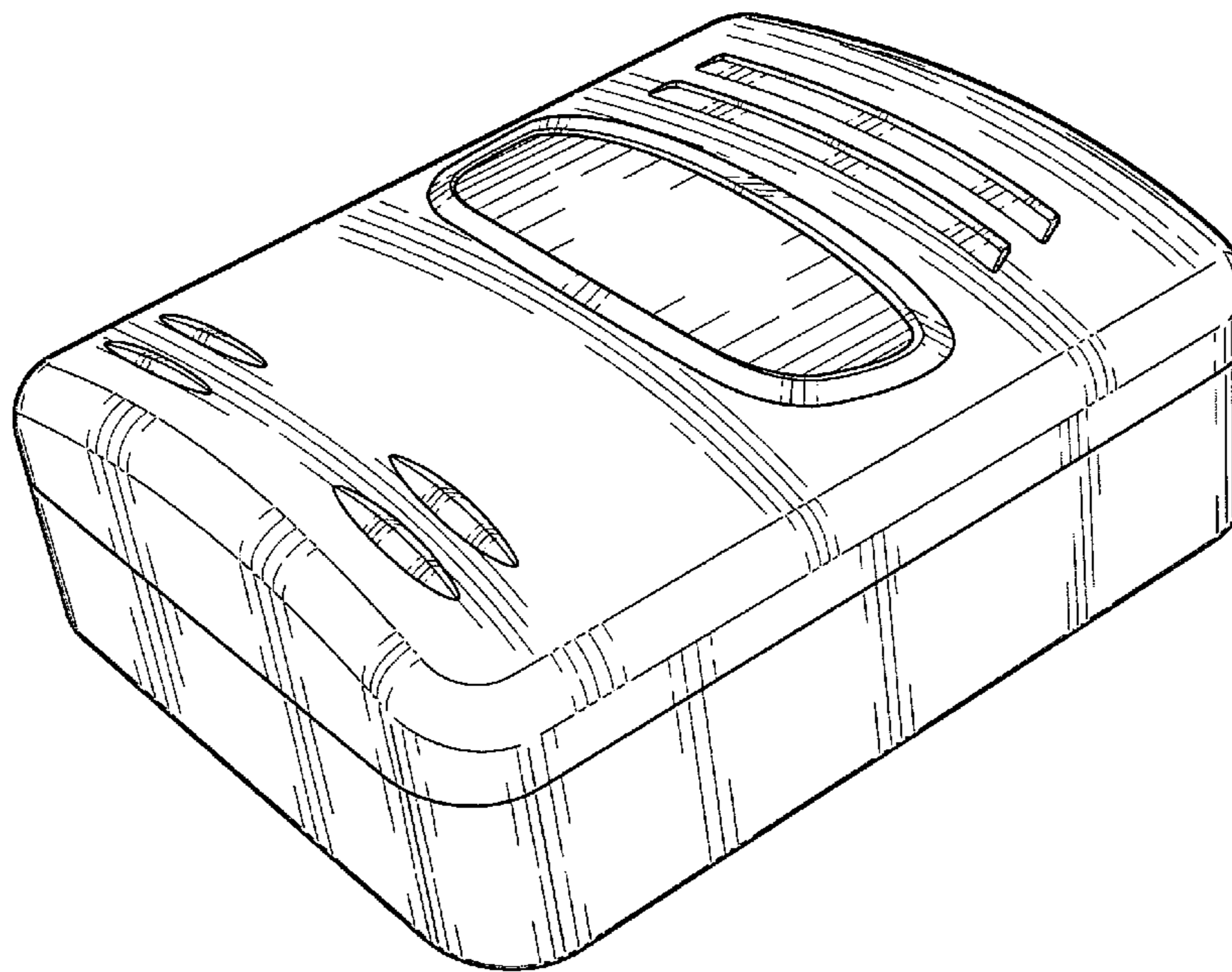
FIG. 5 is a right side view of the box shown in FIG. 1;

FIG. 6 is a bottom view of the box shown in FIG. 1; and,

FIG. 7 is a top view of the box shown in FIG. 1.

The broken line showing of hinges and the interior of the rear view in the drawings represents unclaimed environmental subject matter.

1 Claim, 5 Drawing Sheets



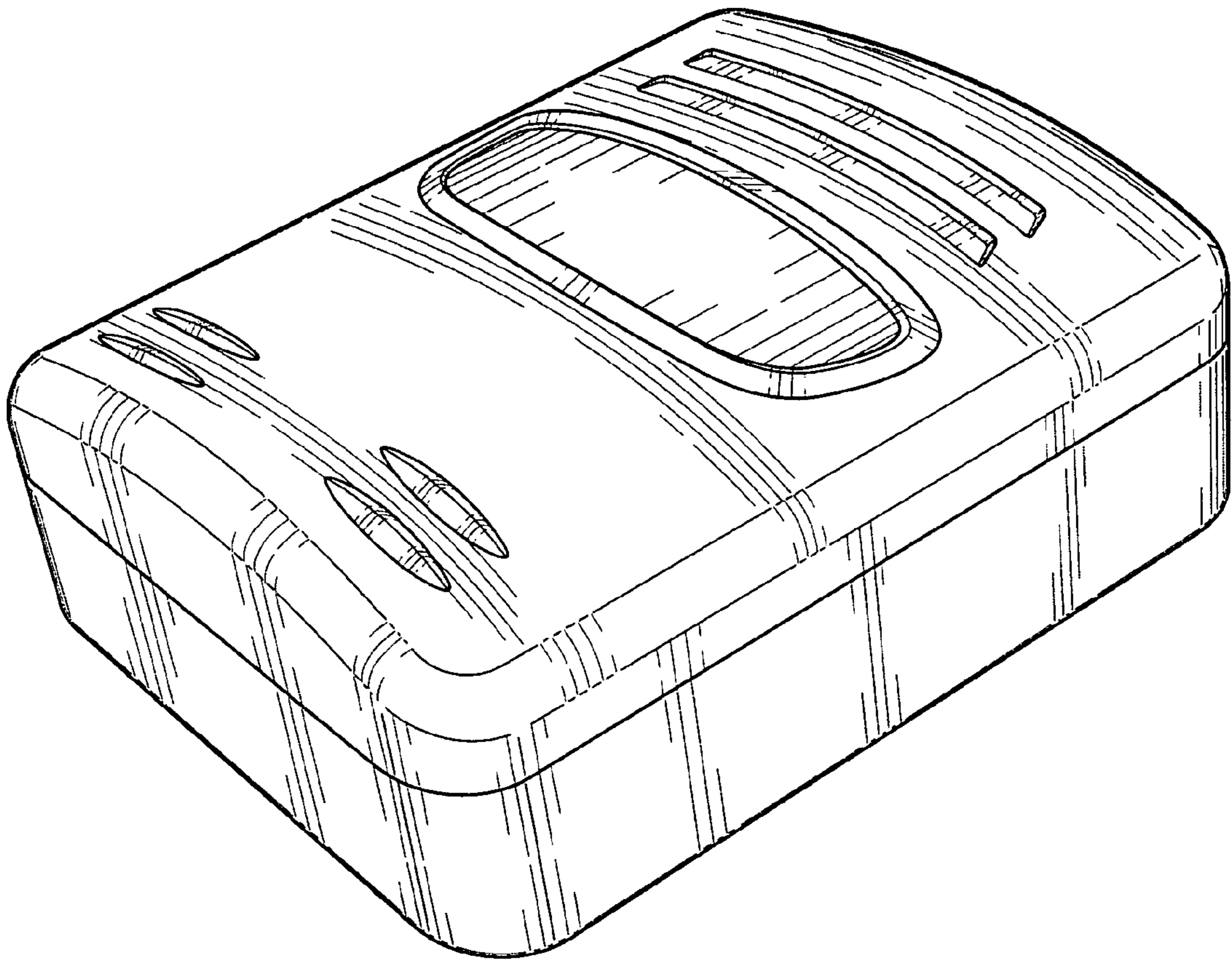


FIG. 1

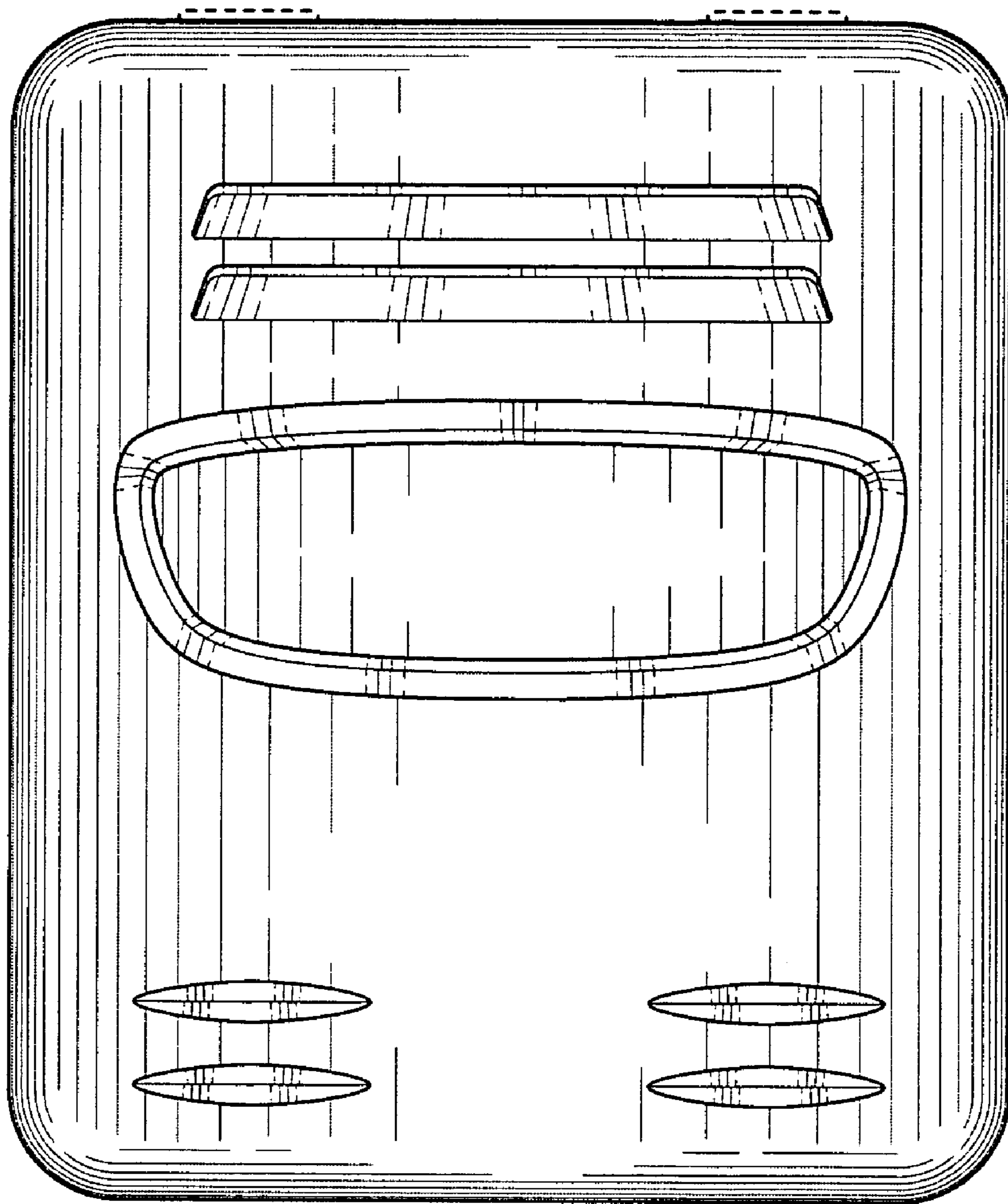


FIG. 2

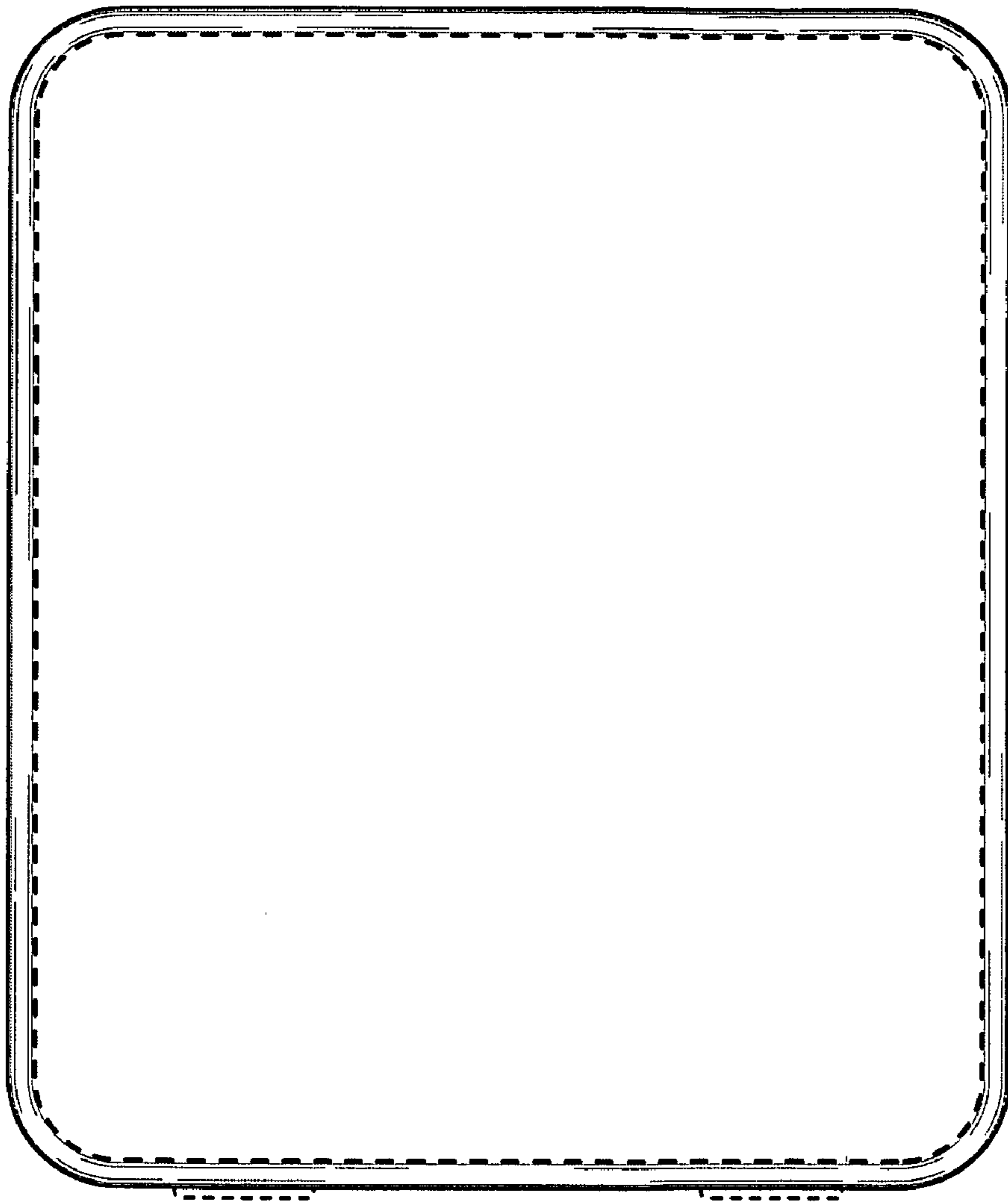


FIG. 3

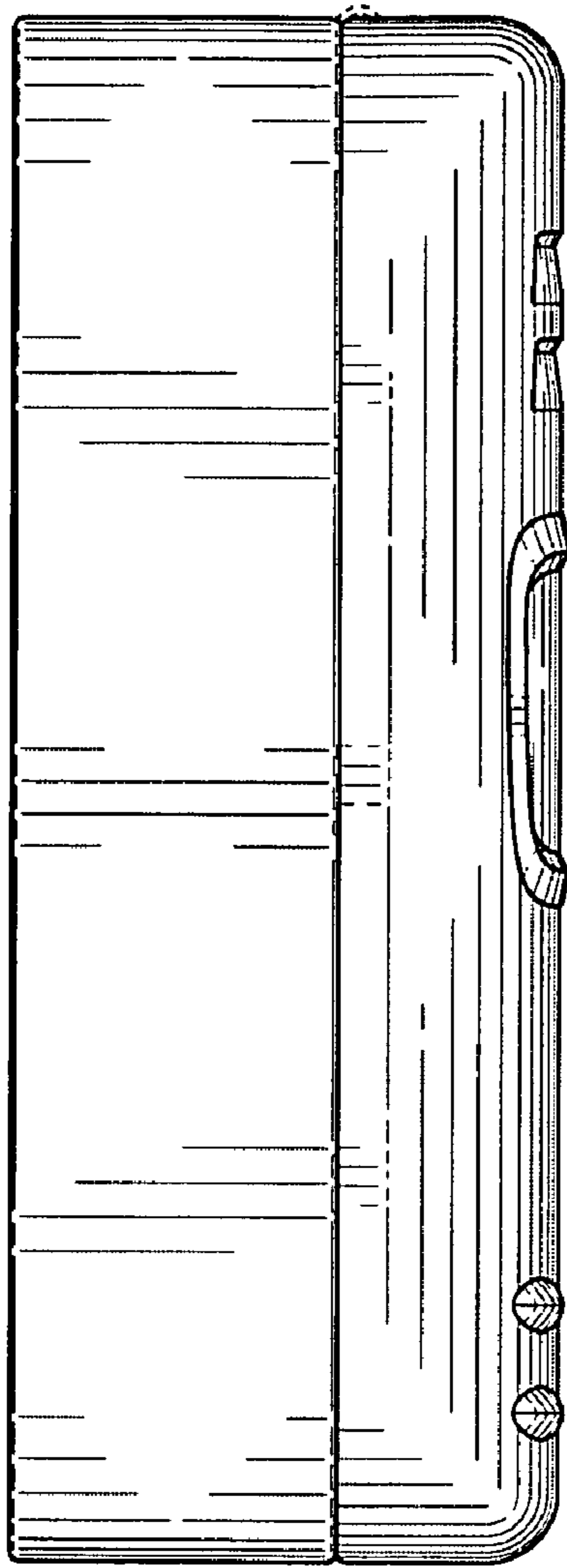


FIG. 4

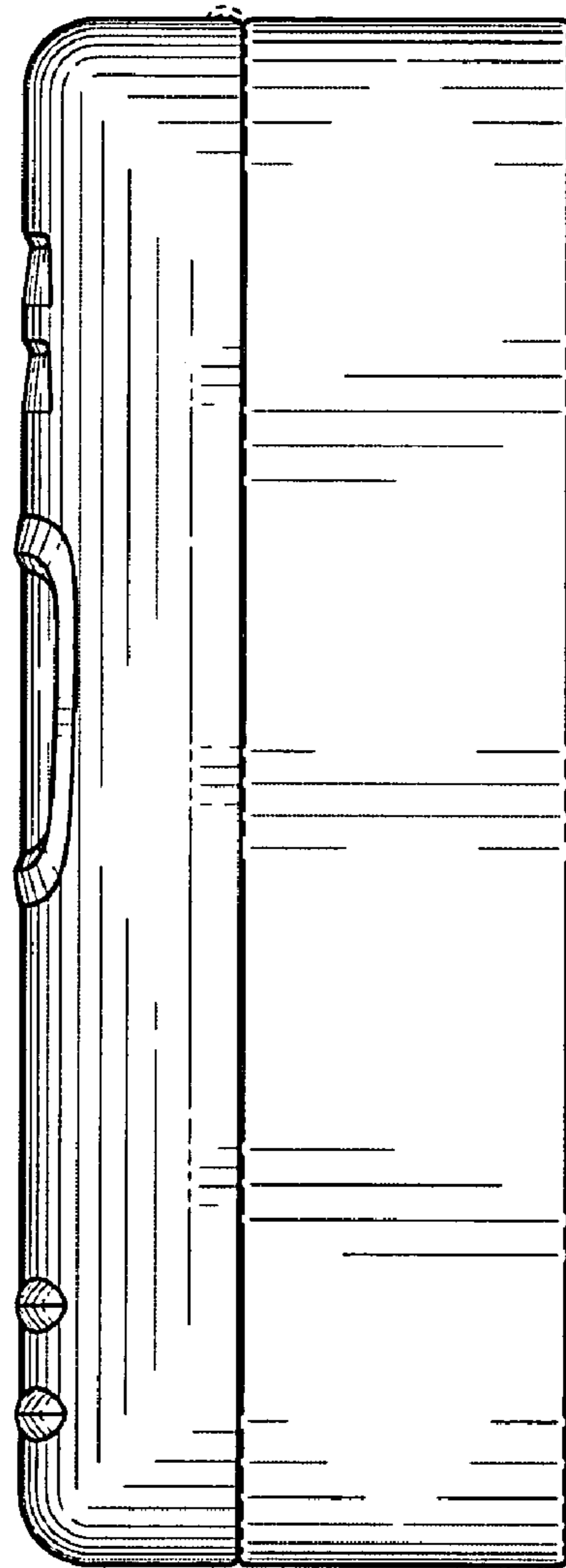


FIG. 5

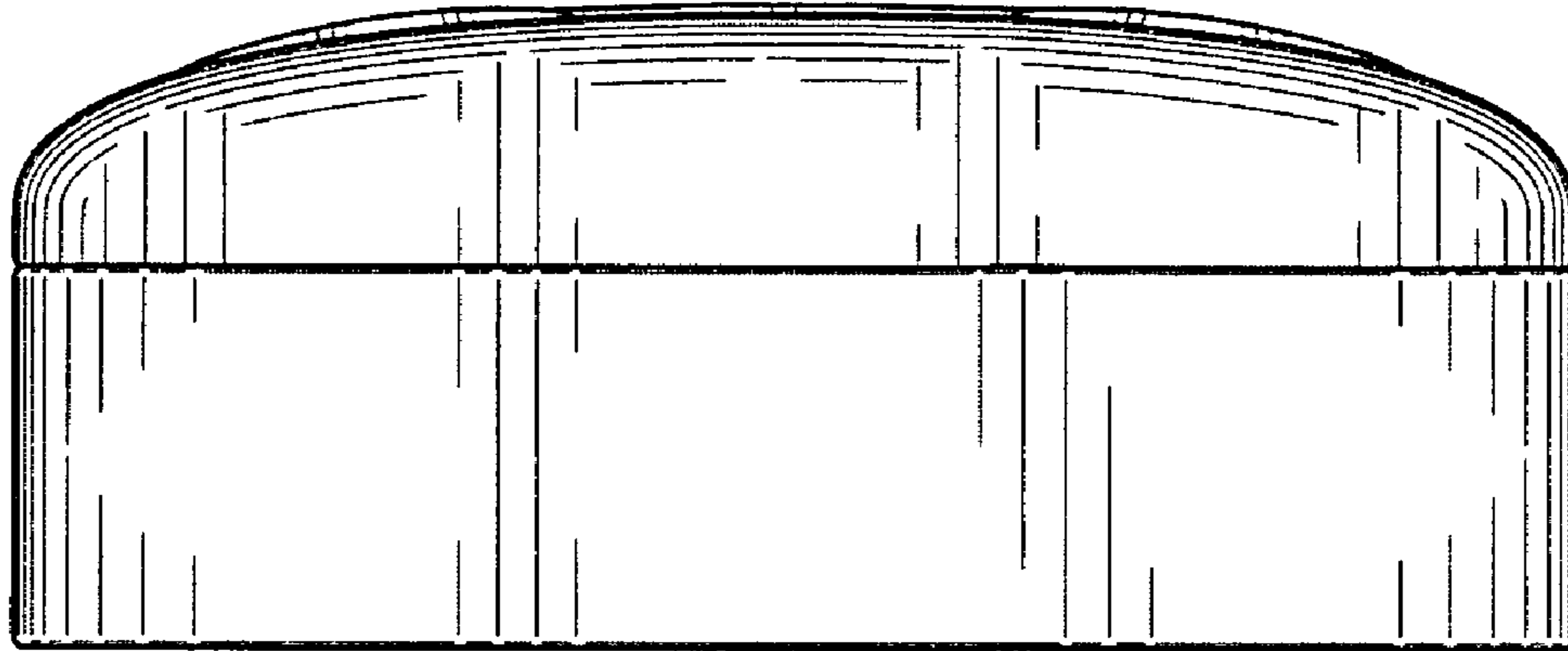


FIG. 6

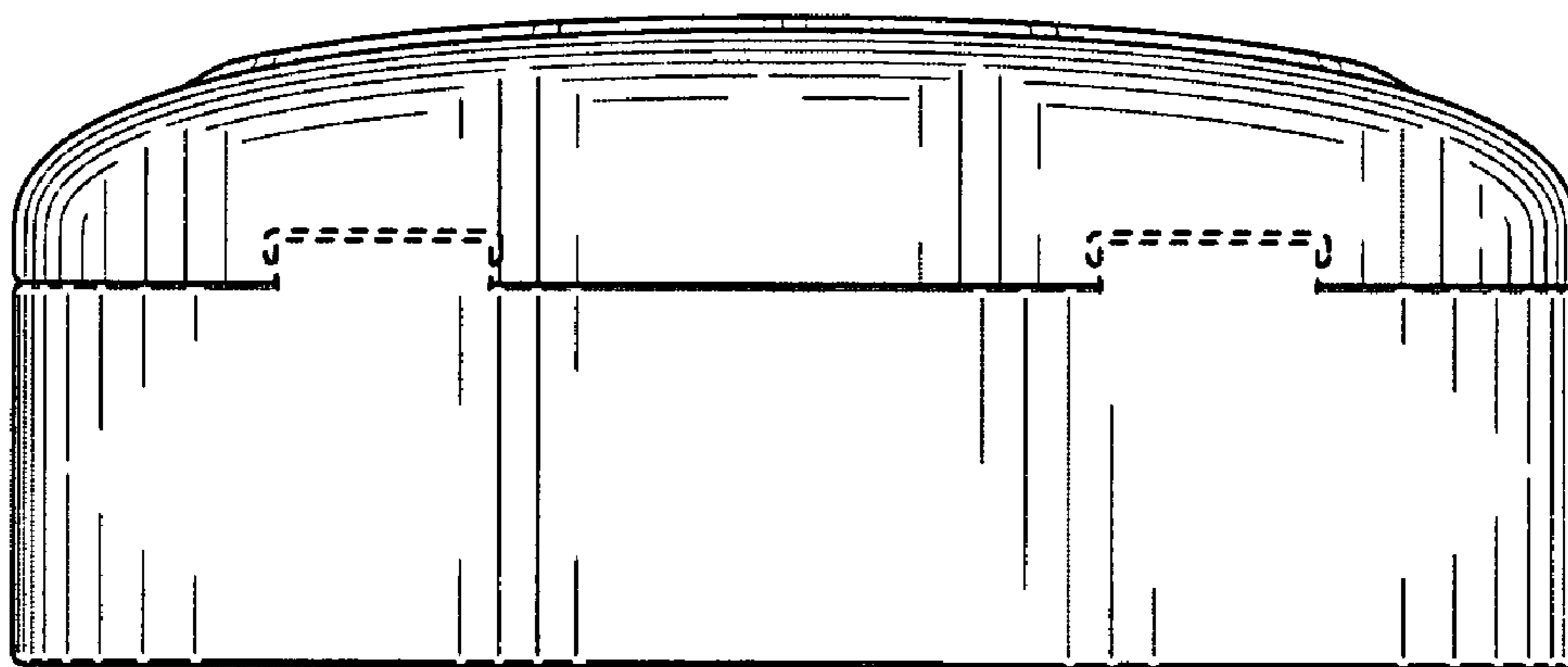


FIG. 7