



US00D605032S

(12) **United States Design Patent**
Bushey

(10) **Patent No.:** **US D605,032 S**
(45) **Date of Patent:** **** Dec. 1, 2009**

(54) **DOOR WEDGE**

(76) **Inventor:** **Richard D. Bushey**, 1596 38th Ave.,
Kenosha, WI (US) 53140

(**) **Term:** **14 Years**

(21) **Appl. No.:** **29/318,093**

(22) **Filed:** **May 13, 2008**

Related U.S. Application Data

(63) Continuation-in-part of application No. 11/109,367,
filed on Apr. 19, 2005, now abandoned.

(51) **LOC (9) Cl.** **08-09**

(52) **U.S. Cl.** **D8/402**

(58) **Field of Classification Search** D8/400-499;
16/86 B, 85, 137, 342, 375, 82 R, 82, 86 A,
16/86 R; 292/251.5, 340, 17, DIG. 15, 343,
292/342, 288

See application file for complete search history.

(56) **References Cited**

U.S. PATENT DOCUMENTS

| | | | |
|-------------|---------|---------------|--------------|
| 171,807 A | 1/1876 | Hoffman | |
| D26,885 S * | 4/1897 | Gardner | D8/377 |
| 701,136 A | 5/1902 | Blanpied | |
| 804,585 A | 11/1905 | Depue | |
| 957,584 A | 5/1910 | Vanoni | |
| 1,064,760 A | 6/1913 | Nielsen | |
| 1,119,346 A | 12/1914 | Concie et al. | |
| 1,555,129 A | 9/1925 | Lipsius | |
| 1,599,595 A | 9/1926 | Sponsel | |
| 1,833,773 A | 11/1931 | Brooks | |
| 1,935,252 A | 11/1933 | Sprat et al. | |

| | | | |
|---------------|---------|------------|---------------|
| 2,120,692 A | 6/1938 | Butts | |
| 2,122,312 A | 6/1938 | Cassion | |
| 2,205,614 A | 6/1940 | Bashe | |
| D134,108 S | 10/1942 | Adler | |
| 2,459,070 A | 1/1949 | Gard | |
| 2,492,032 A | 12/1949 | Bloomfield | |
| D166,795 S * | 5/1952 | Bright | D10/46 |
| 2,703,728 A | 3/1955 | Raber | |
| 2,784,443 A | 3/1957 | Von Berg | |
| 2,798,755 A | 7/1957 | Zapotocny | |
| 2,898,140 A | 8/1959 | Gislason | |
| 3,054,632 A * | 9/1962 | Welch | 292/288 |

(Continued)

Primary Examiner—Cathron C Brooks

Assistant Examiner—Barbara Fox

(74) *Attorney, Agent, or Firm*—Boyle Fredrickson, S.C.

(57) **CLAIM**

The ornamental design for a door wedge, as shown and described.

DESCRIPTION

FIG. 1 is an isometric view of a door wedge in accordance with the present invention;

FIG. 2 is a top plan view of the door wedge of FIG. 1;

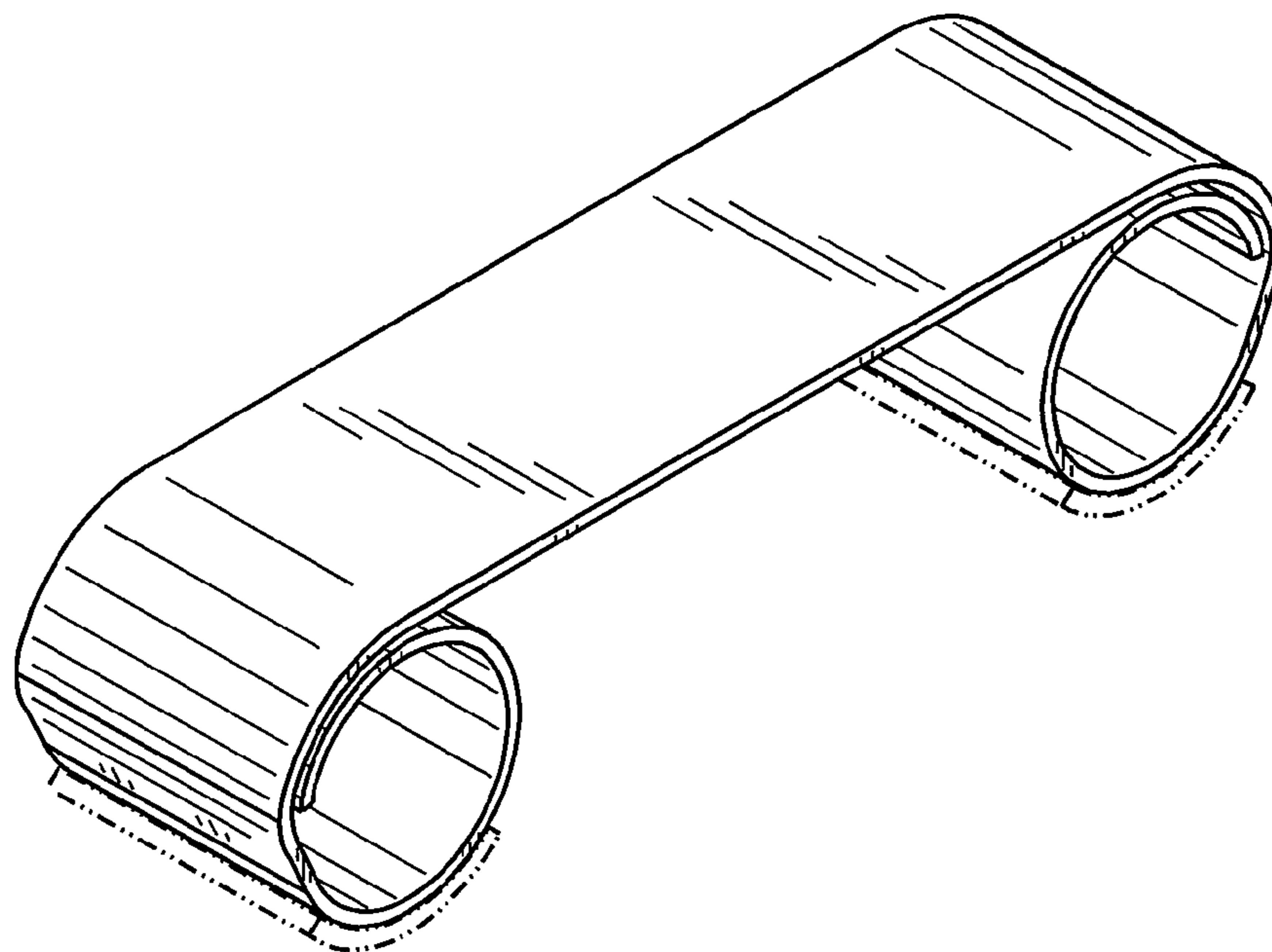
FIG. 3 is a side elevational view of the door wedge of FIG. 1;

FIG. 4 is an end view of the door wedge of FIG. 1; and,

FIG. 5 is a bottom plan view of the door wedge of FIG. 1.

The broken lines shown in the drawings are for the purpose of illustrating unclaimed portions of the door wedge and form no part of the claimed design.

1 Claim, 2 Drawing Sheets



US D605,032 S

Page 2

U.S. PATENT DOCUMENTS

| | | | | | |
|---------------|---------|---------------------------|-------------------|---------|--|
| 3,328,065 A | 6/1967 | Arenson | 5,468,032 A | 11/1995 | Hebert et al. |
| 3,706,112 A | 12/1972 | Newell | 5,547,238 A | 8/1996 | Payette |
| 3,977,714 A | 8/1976 | Trotter | D375,361 S * | 11/1996 | .O slashed.sterby et al. D24/181 |
| 4,017,939 A | 4/1977 | Schofield | 5,711,560 A | 1/1998 | Gilbertson |
| 4,044,424 A | 8/1977 | Sasgen | D420,042 S * | 2/2000 | Kawashima et al. D18/40 |
| 4,660,323 A | 4/1987 | Kanies | 6,041,473 A | 3/2000 | Johnson |
| 4,705,309 A | 11/1987 | Sawchuk | D426,149 S * | 6/2000 | Regan D8/402 |
| 4,805,948 A | 2/1989 | Renzi | D432,406 S * | 10/2000 | Grattan et al. D8/402 |
| 4,881,293 A | 11/1989 | Reynolds | 6,161,252 A | 12/2000 | Rodriguez |
| 5,161,282 A * | 11/1992 | Pechota, Jr. 16/86 A | 6,345,413 B1 | 2/2002 | Fletcher et al. |
| D333,421 S * | 2/1993 | Patti D8/356 | 6,345,849 B1 | 2/2002 | Yen |
| 5,331,719 A | 7/1994 | Hum et al. | D574,970 S * | 8/2008 | Taylor et al. D25/121 |
| 5,368,349 A | 11/1994 | Hebert et al. | D593,852 S * | 6/2009 | Hoebeek D8/394 |
| 5,447,347 A | 9/1995 | Siddons | 2004/0055220 A1 * | 3/2004 | Lohman 49/322 |
| 5,465,460 A | 11/1995 | Cantone | 2005/0235561 A1 * | 10/2005 | Bushey 49/70 |

* cited by examiner

FIG. 1

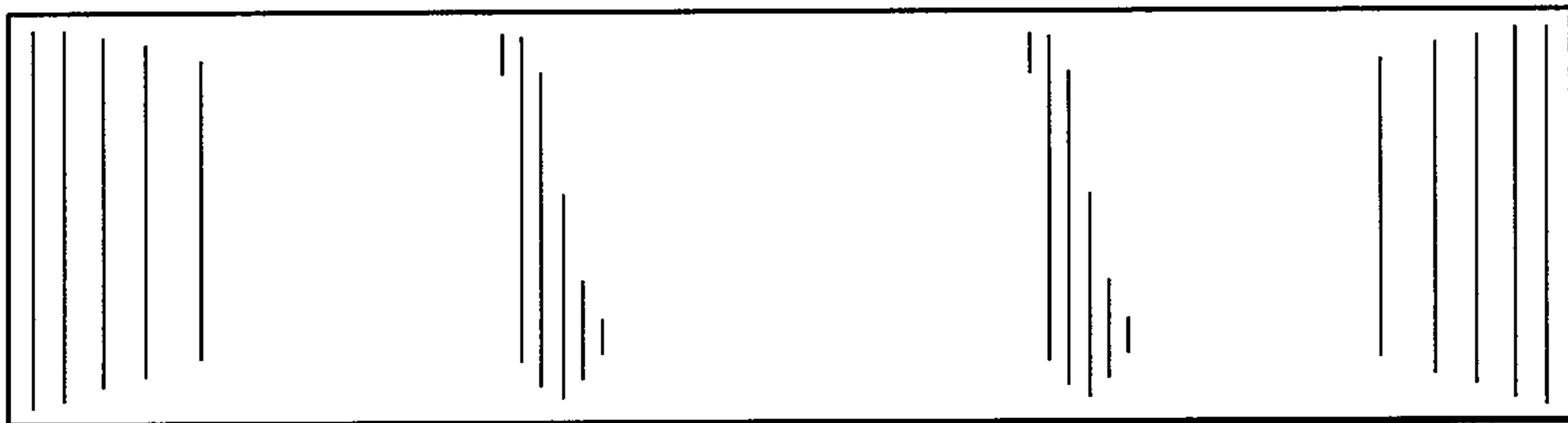
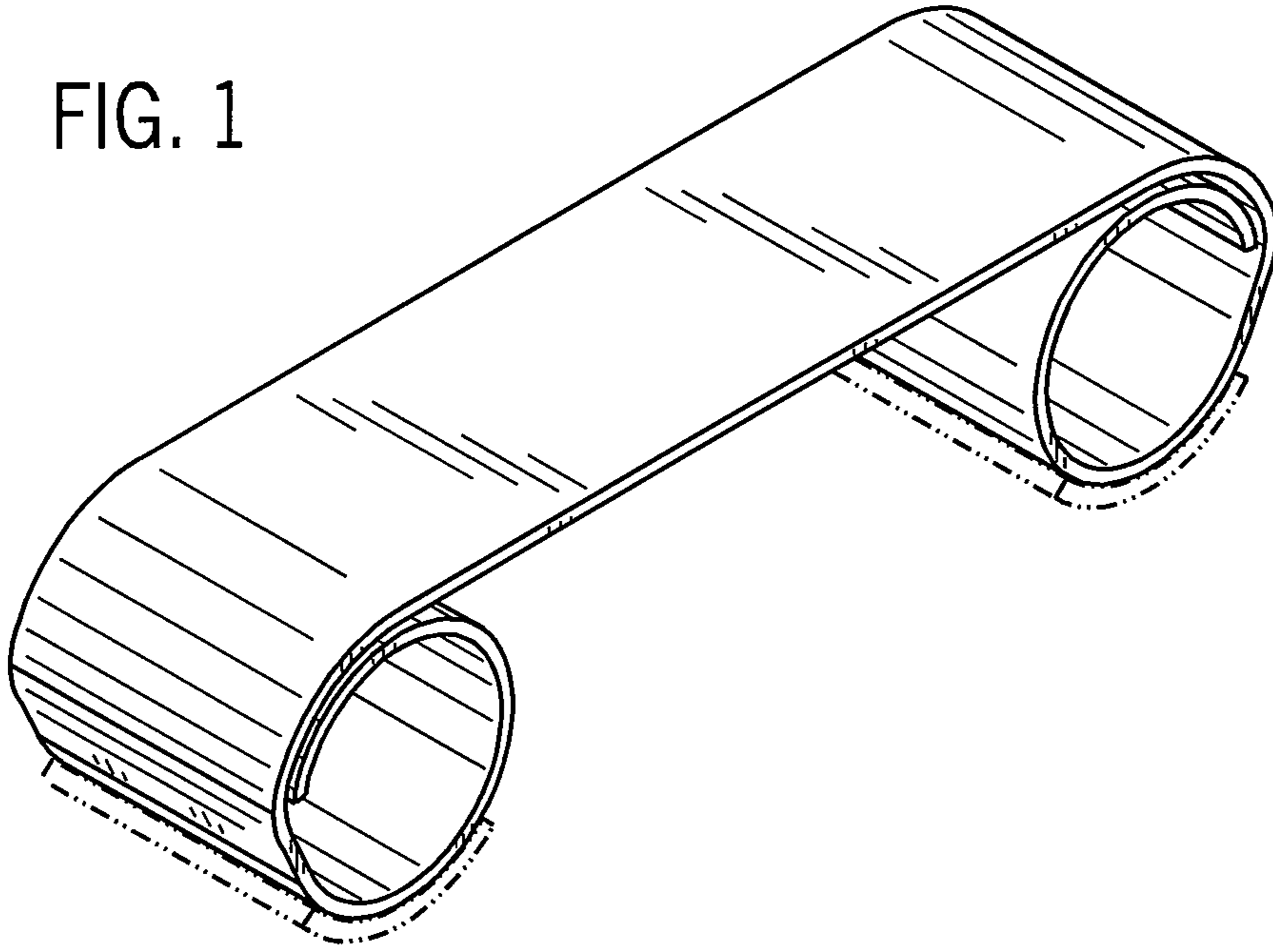


FIG. 2

FIG. 3

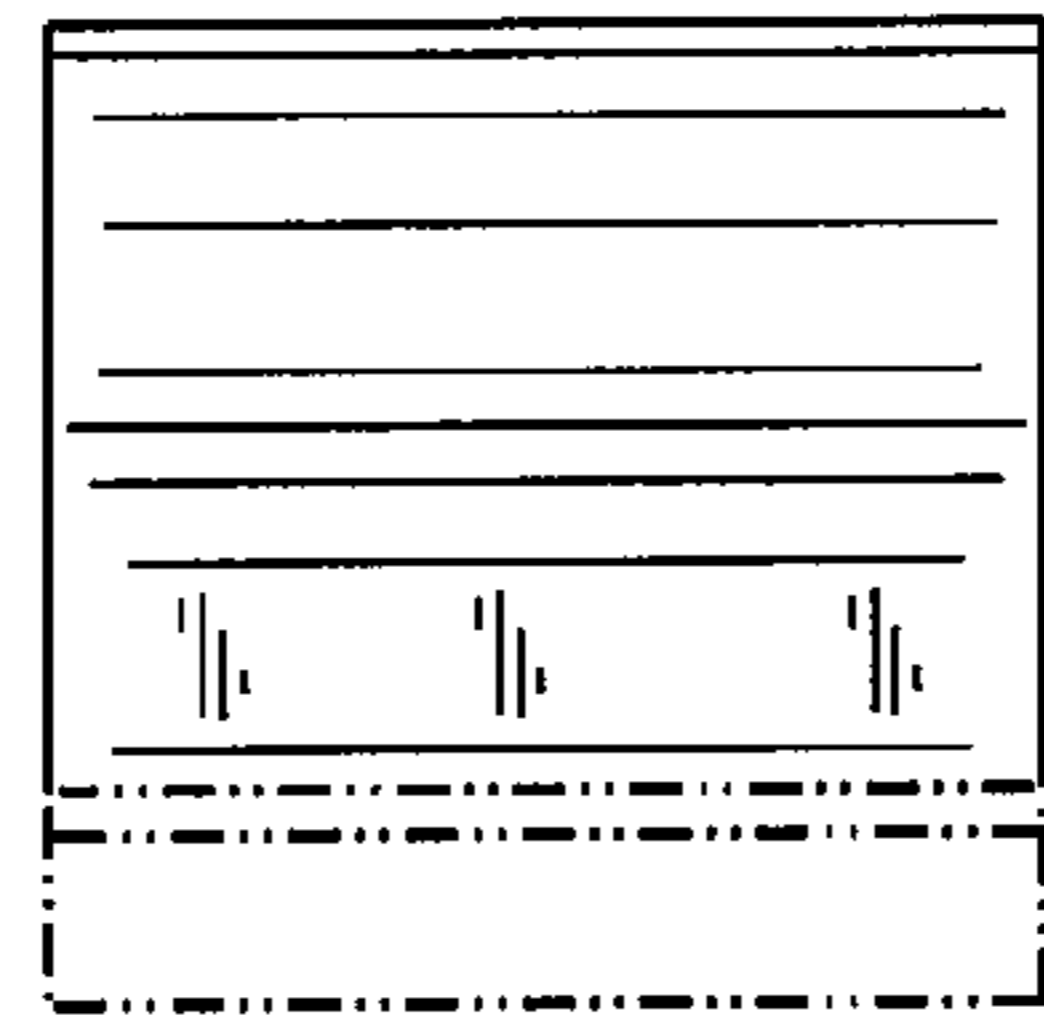
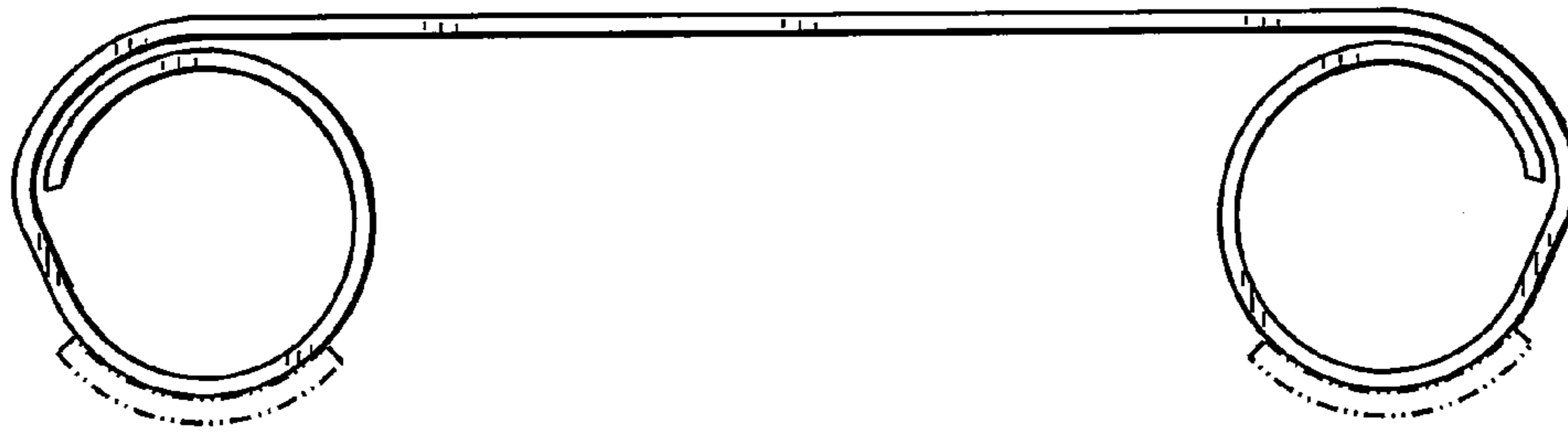


FIG. 4

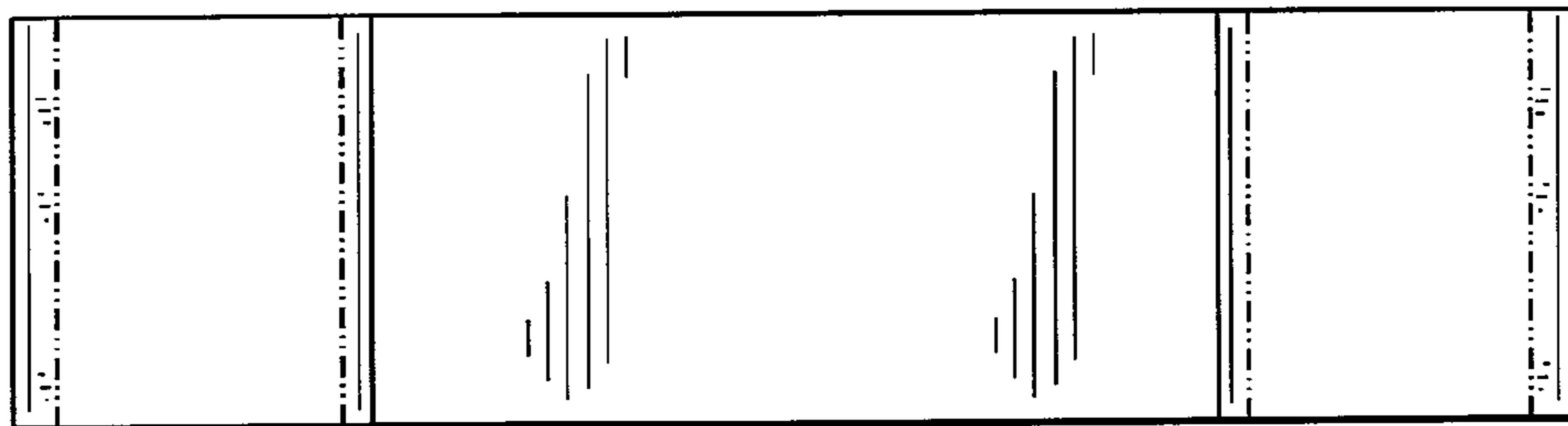


FIG. 5