



US00D605030S

(12) **United States Design Patent**  
**Kohler**

(10) **Patent No.:** **US D605,030 S**

(45) **Date of Patent:** **\*\* Dec. 1, 2009**

(54) **ELEVATION SUPPORT FOR SHELVES**

(75) Inventor: **Paul Albert Kohler**, Seattle, WA (US)

(73) Assignee: **Slam Brands, Inc.**, Redmond, WA (US)

(\*\*) Term: **14 Years**

(21) Appl. No.: **29/336,533**

(22) Filed: **May 5, 2009**

(51) **LOC (9) Cl.** ..... **08-05**

(52) **U.S. Cl.** ..... **D8/381; D8/380**

(58) **Field of Classification Search** ..... D8/403,  
D8/381, 380, 373, 363, 354, 349; D6/574,  
D6/573, 572; 52/712-715, 665, 506.06;  
292/346; 248/265, 247, 243, 235, 200; 108/85  
See application file for complete search history.

(56) **References Cited**

**U.S. PATENT DOCUMENTS**

D127,813 S *	6/1941	Pipenhagen	.....	D6/570
4,154,420 A *	5/1979	Mazie et al.	.....	248/251
D458,832 S *	6/2002	Worrall	.....	D8/380

\* cited by examiner

*Primary Examiner*—Susan Bennett Hattan

(74) *Attorney, Agent, or Firm*—Turocy & Watson, LLP;  
Thomas E. Watson

(57) **CLAIM**

An ornamental design for an elevation support for shelves, as shown and described.

**DESCRIPTION**

FIG. 1 is a top perspective view of a design for an elevation support for shelves;

FIG. 2 is the top perspective view without environmental elements blocking a view thereof;

FIG. 3 is a bottom perspective view of the design;

FIG. 4 is a left side view thereof mirrored on the right side;

FIG. 5 is a front side view thereof;

FIG. 6 is a back side view thereof;

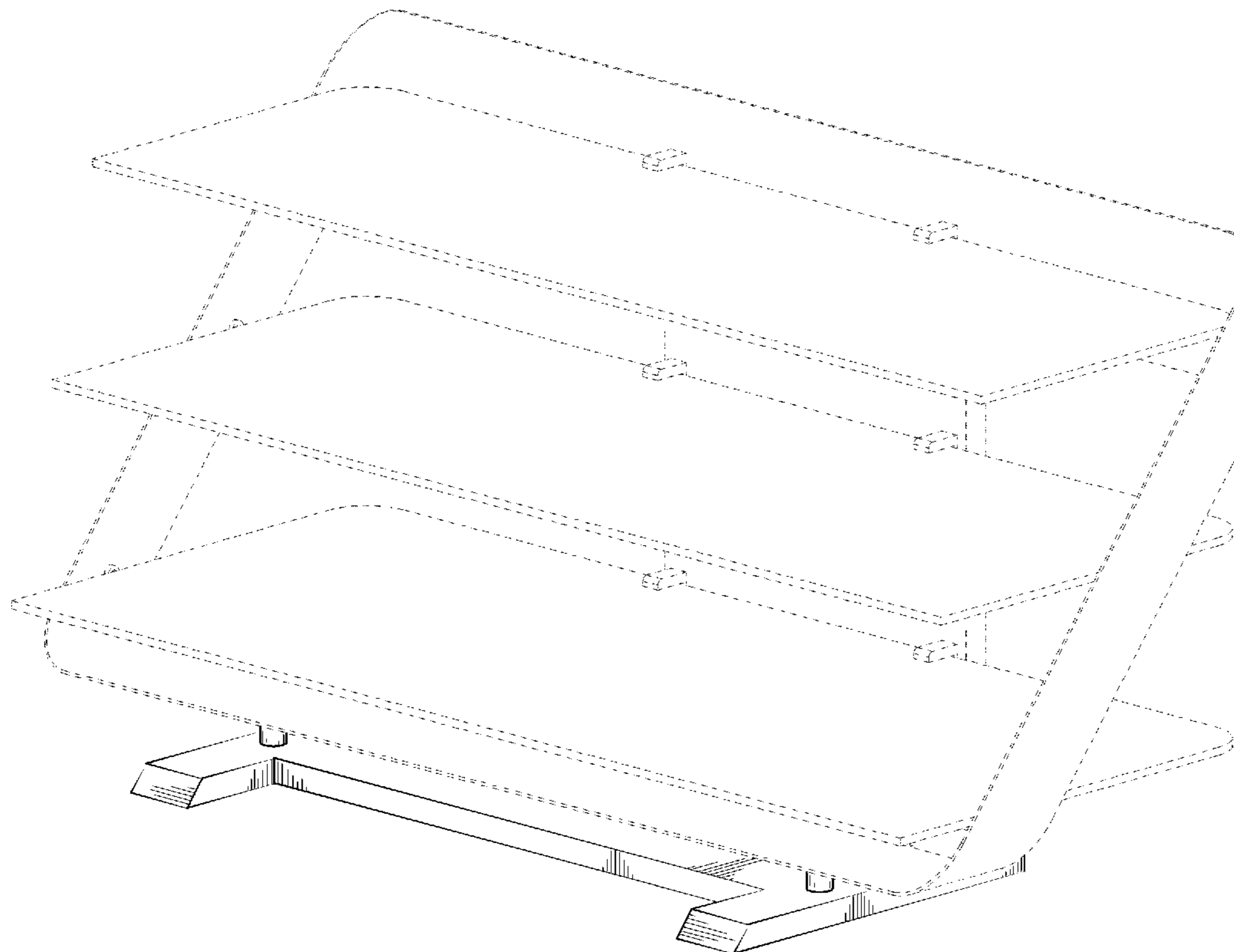
FIG. 7 is a top plan view thereof;

FIG. 8 is the top plan view without environmental elements blocking a view thereof; and,

FIG. 9 is a bottom plan view thereof.

The dashed lines in the drawings are shown for environmental purposes and form no part of the claimed design.

**1 Claim, 9 Drawing Sheets**



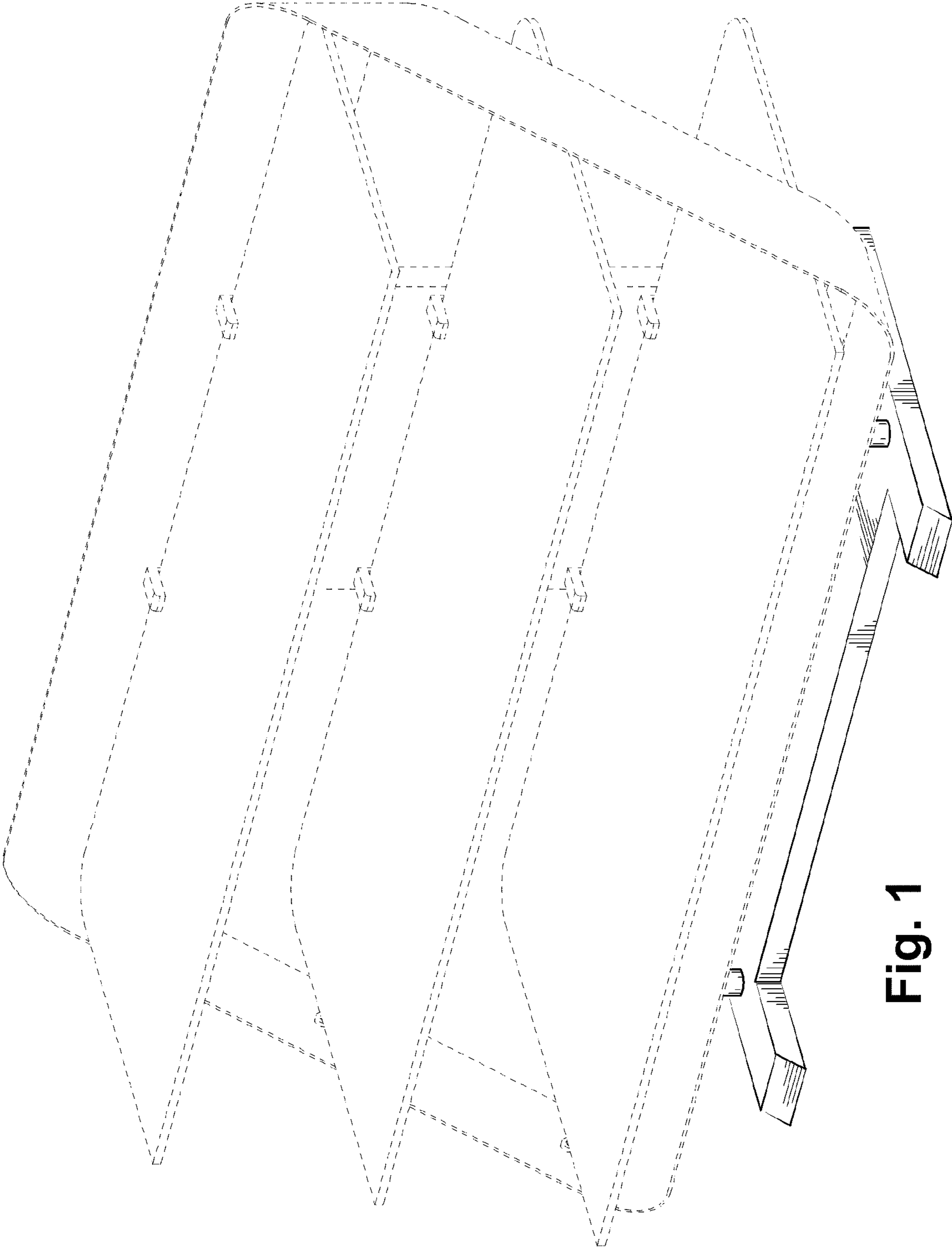


Fig. 1

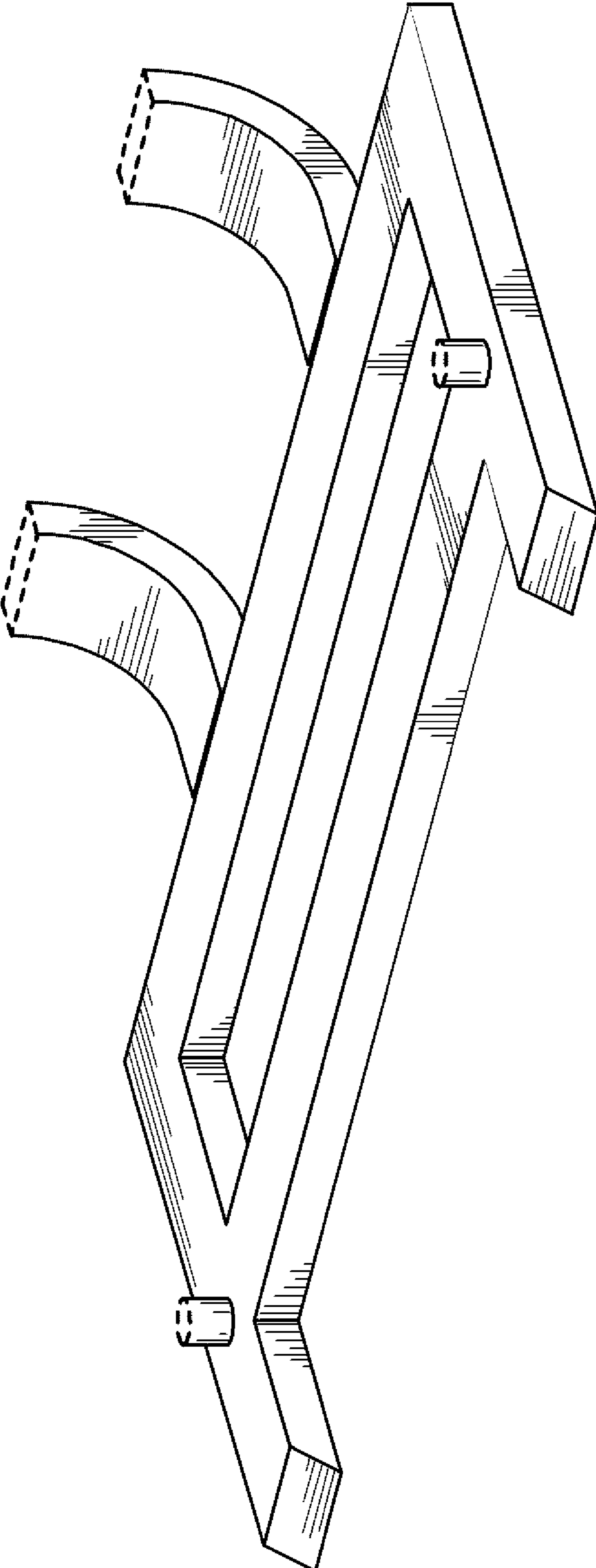


Fig. 2

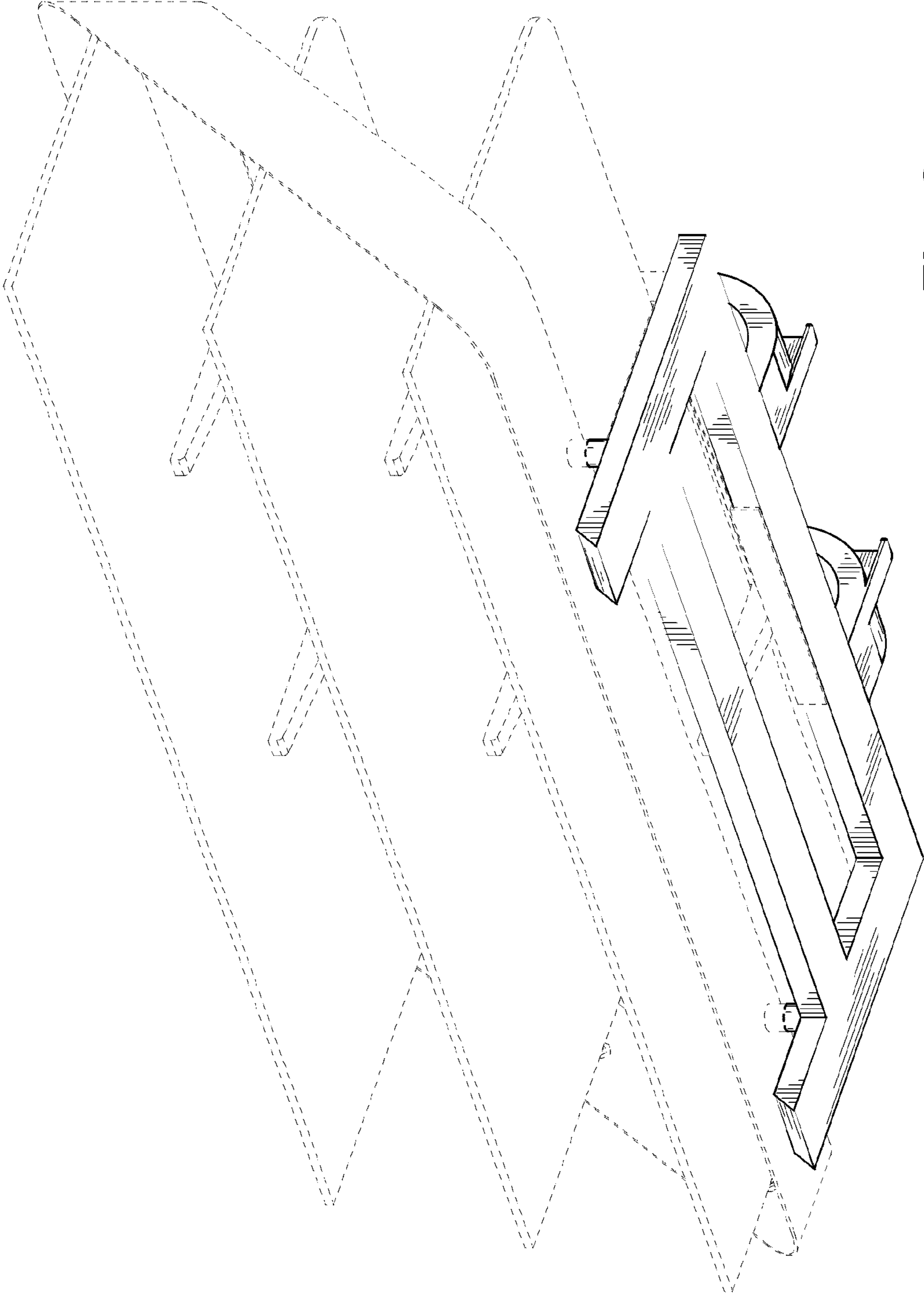


Fig. 3

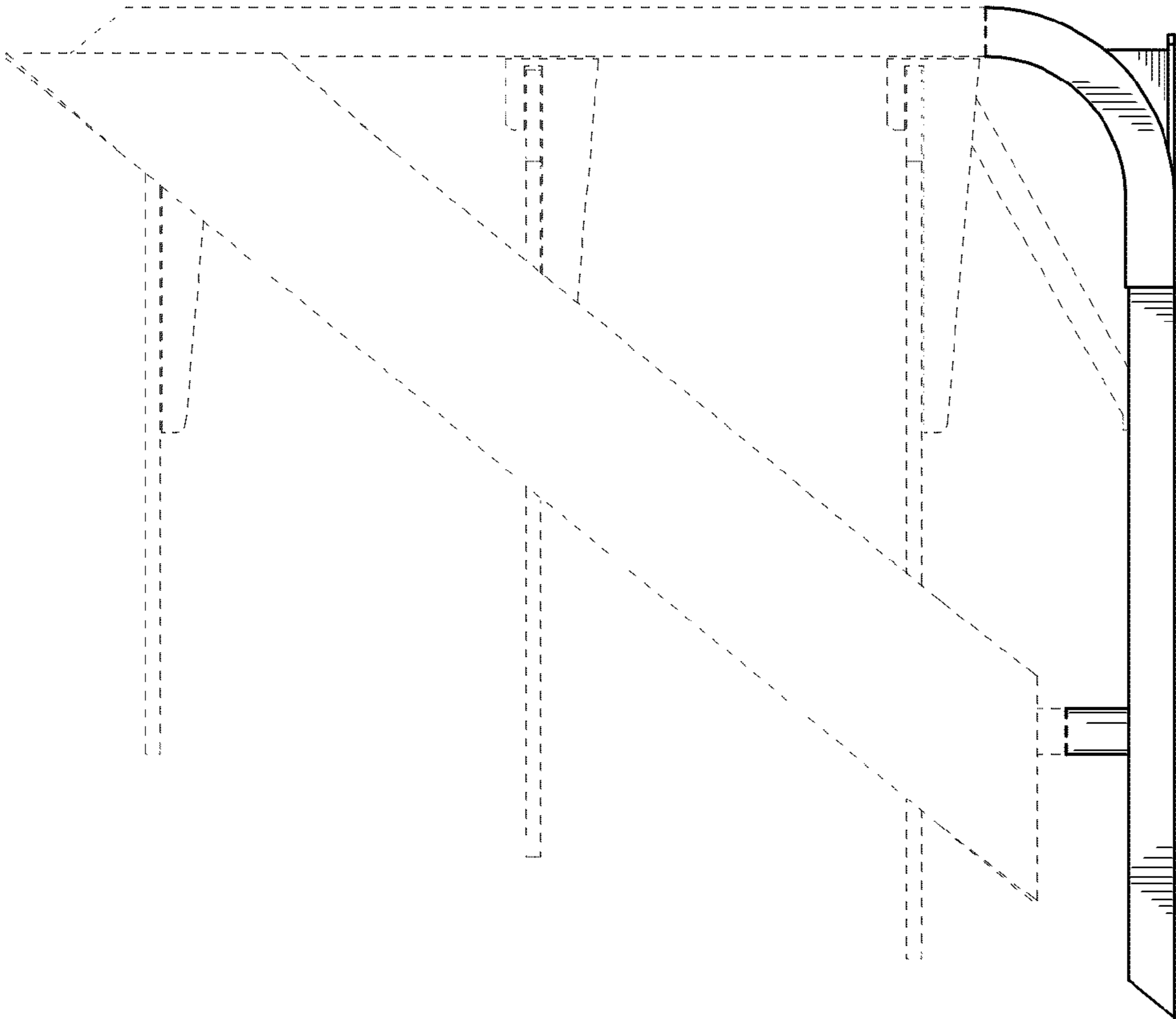


Fig. 4

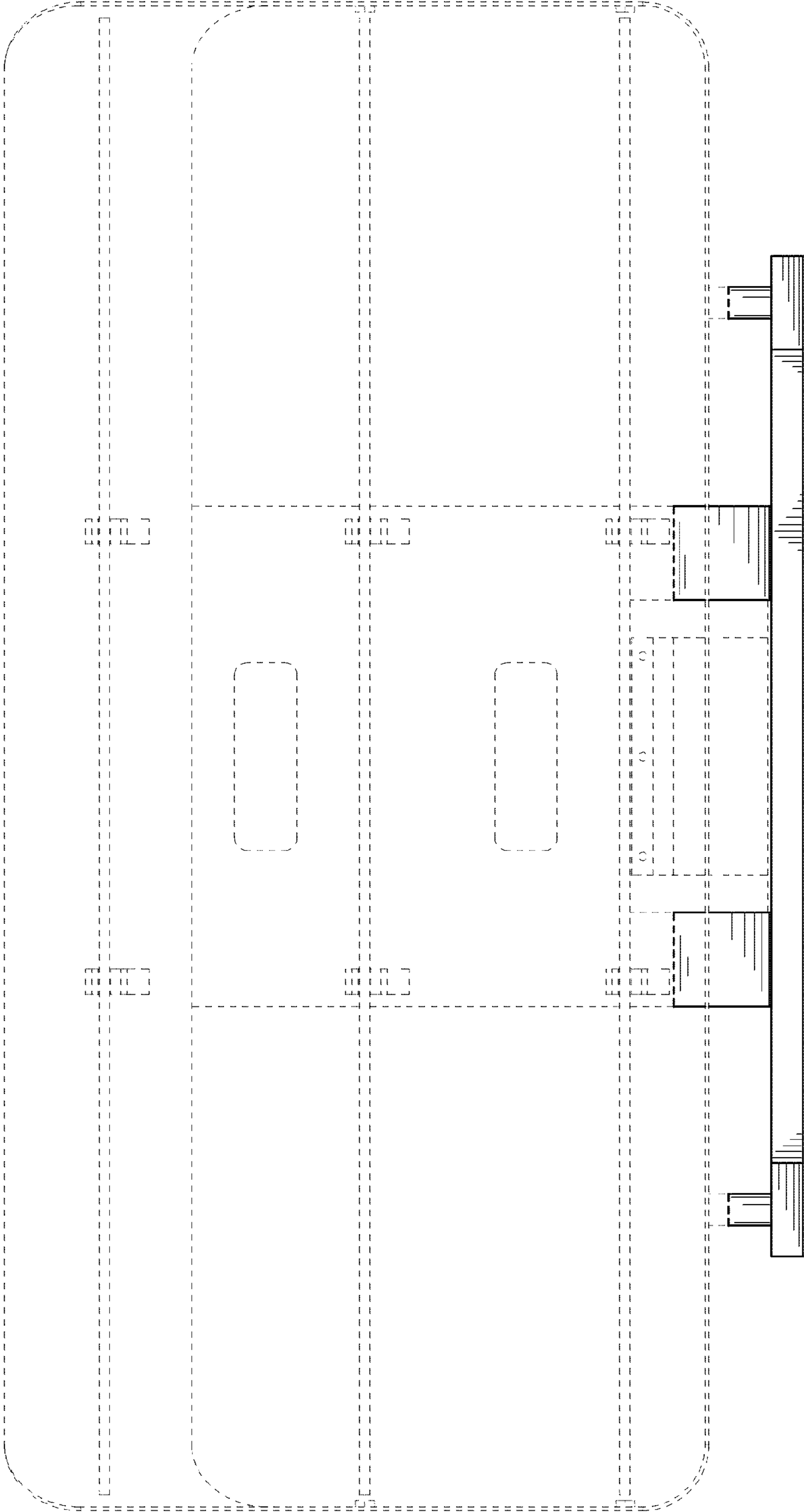


Fig. 5

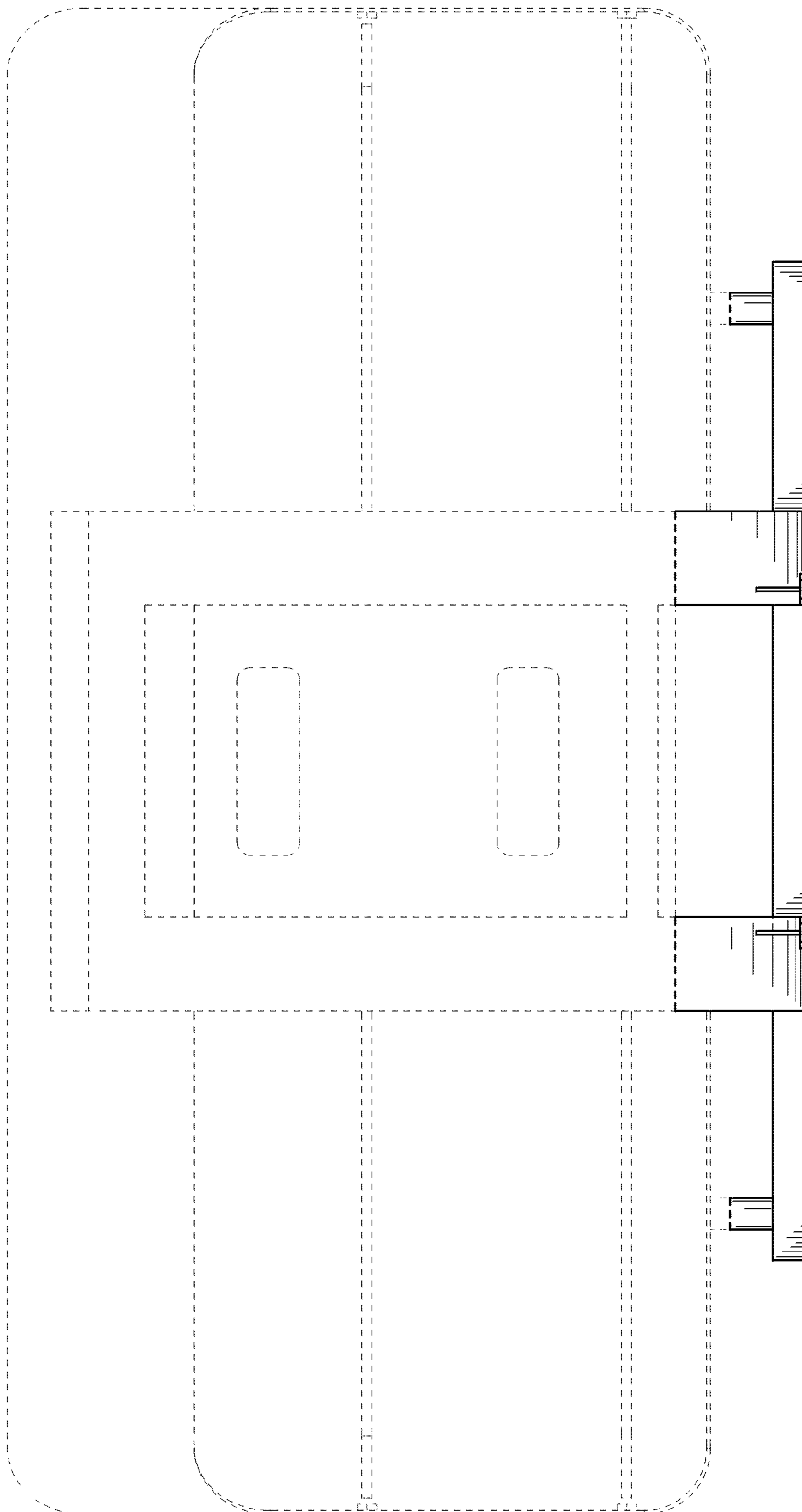


Fig. 6

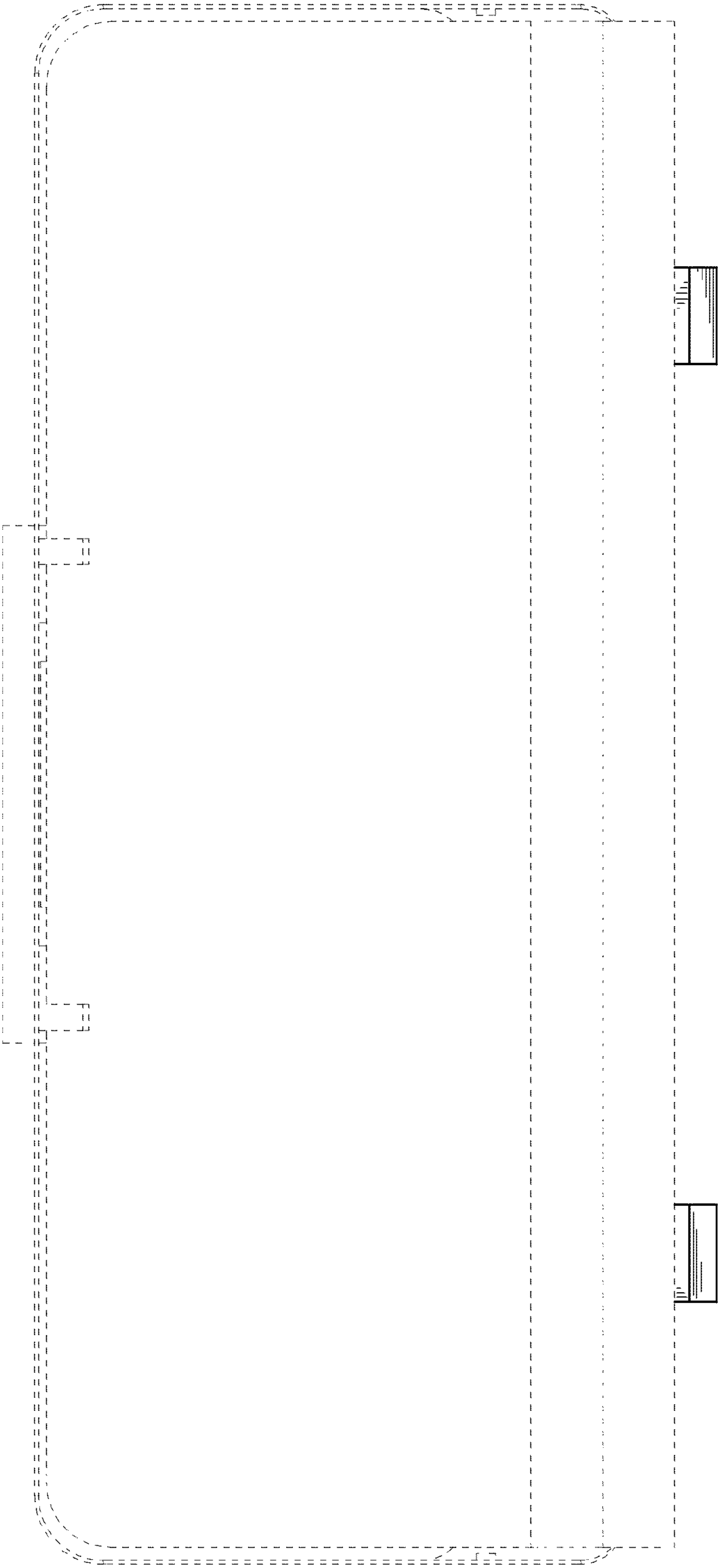


Fig. 7



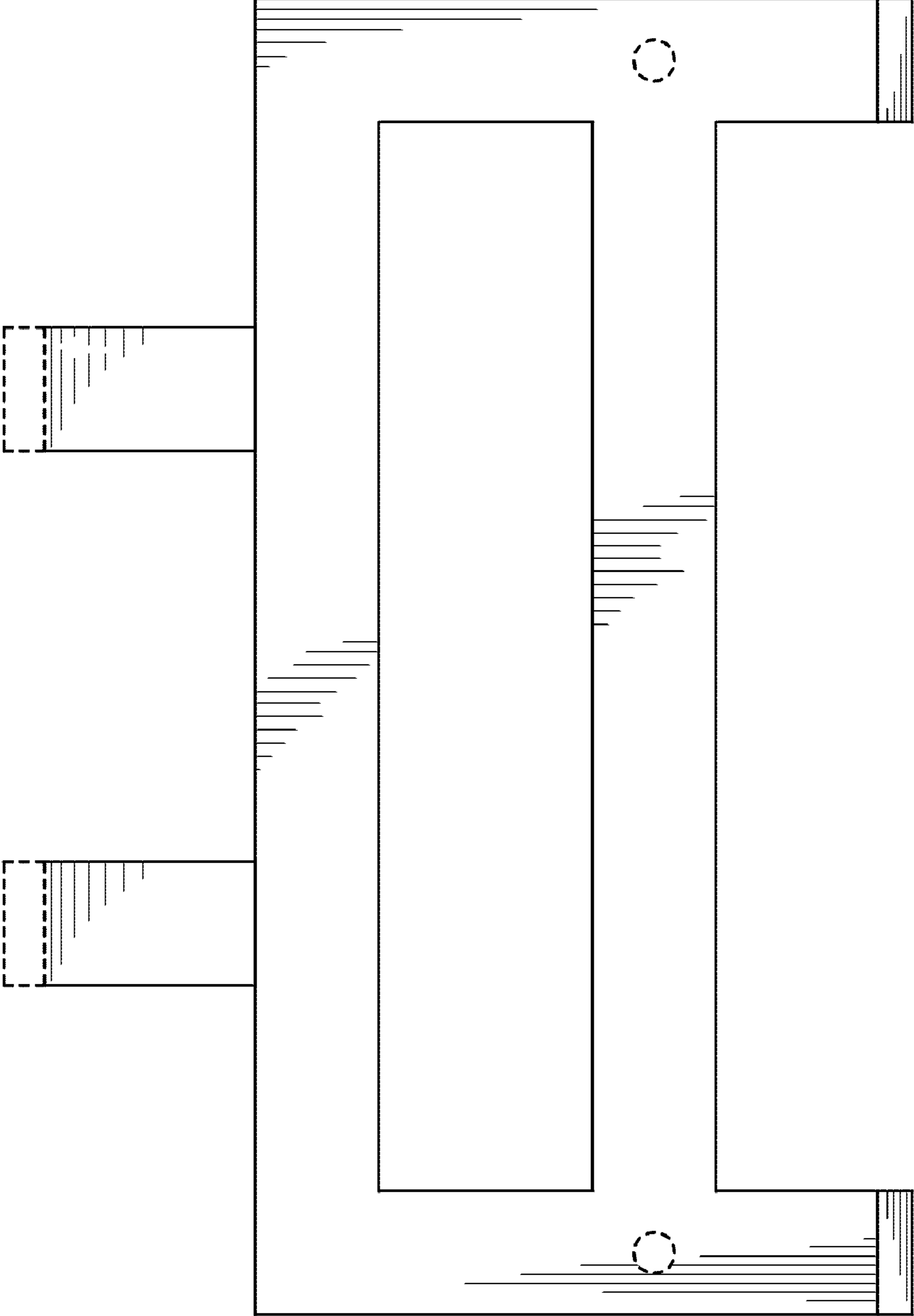


Fig. 8

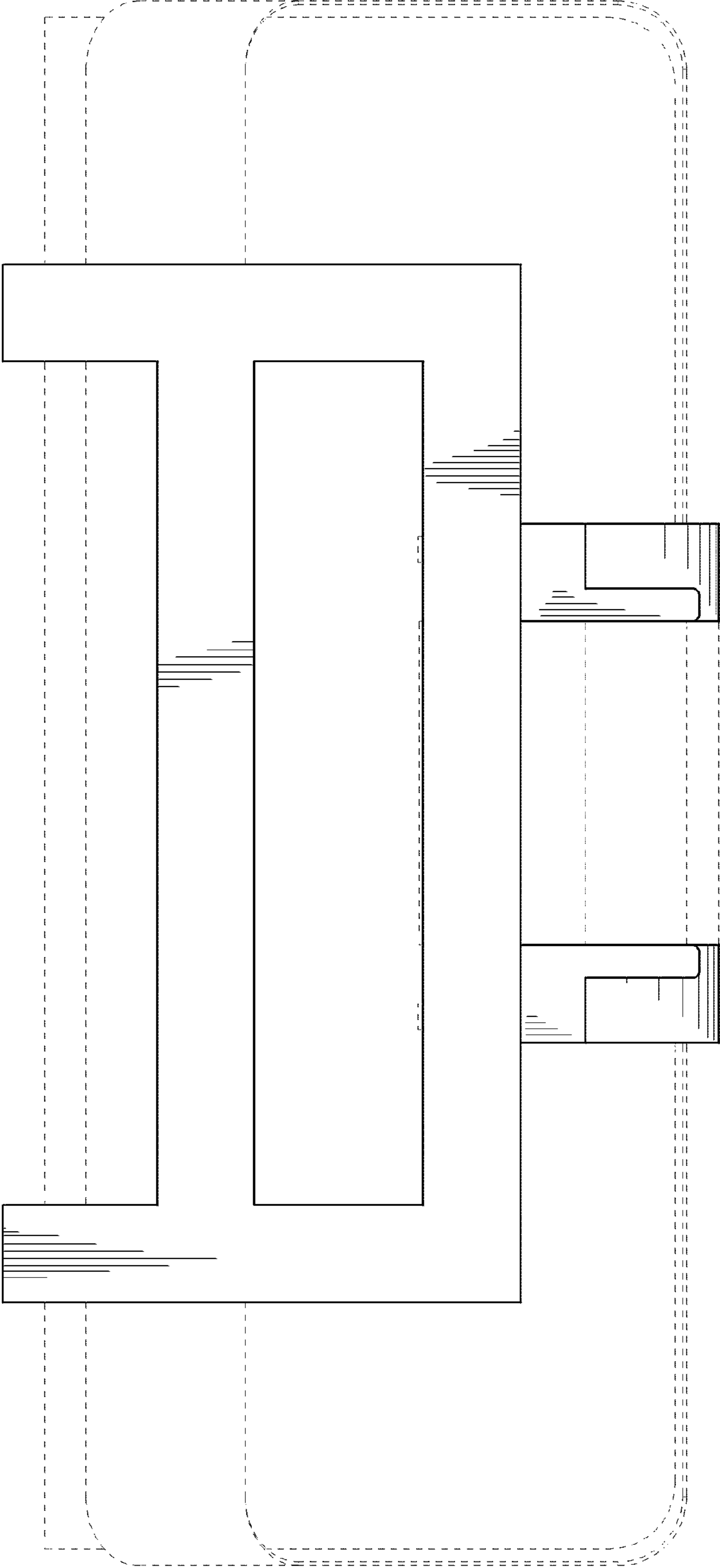


Fig. 9