



US00D605027S

(12) **United States Design Patent**  
**Leung**

(10) **Patent No.:** **US D605,027 S**

(45) **Date of Patent:** **\*\* Dec. 1, 2009**

(54) **BUNGEE STRAP**

7,343,648 B2 \* 3/2008 Shaw ..... 24/68 CD  
D573,875 S \* 7/2008 Anderson ..... D8/367

(75) Inventor: **Tony Kit Wing Leung**, Hong Kong  
(HK)

\* cited by examiner

(73) Assignee: **Kwong Wah Rubber Factory Limited**,  
New Territories (HK)

*Primary Examiner*—Robert M Spear  
*Assistant Examiner*—Barbara B Lohr  
(74) *Attorney, Agent, or Firm*—Intellectual Property Law  
Group LLP; Juneko Jackson; Otto O. Lee

(\*\*) Term: **14 Years**

(21) Appl. No.: **29/323,803**

(57) **CLAIM**

(22) Filed: **Aug. 29, 2008**

The ornamental design for a bungee strap, as shown and  
described.

(51) **LOC (9) Cl.** ..... **08-05**

(52) **U.S. Cl.** ..... **D8/367**

(58) **Field of Classification Search** ..... D8/354,  
D8/356, 363, 367, 37, 382; 40/642.01; 211/59.1,  
211/70.6; 248/220.41, 220.43, 222.12, 304,  
248/489; D21/731; 294/82.17, 82.19; 24/68 CD,  
24/376

See application file for complete search history.

**DESCRIPTION**

FIG. 1 is a front perspective view of a bungee strap embody-  
ing my new design;

FIG. 2 is a rear elevational view thereof;

FIG. 3 is a front elevational view thereof;

FIG. 4 is a right side elevational view thereof, the left side  
elevational view being a mirror image thereof;

FIG. 5 is a top plan view thereof, the bottom plan view being  
a mirror image thereof; and,

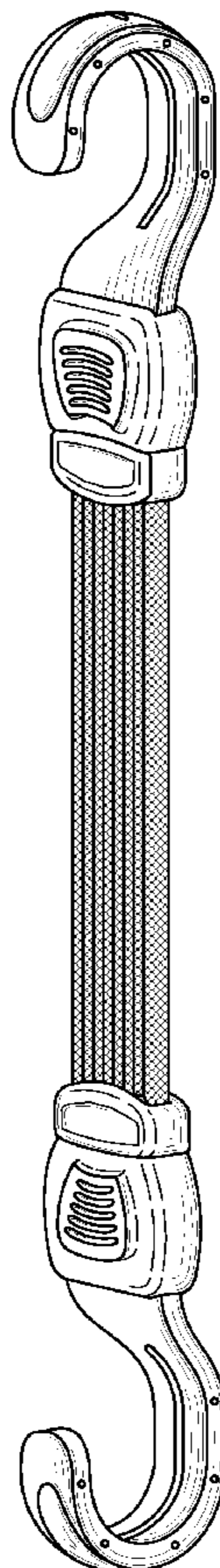
FIG. 6 is a partial rear perspective view thereof.

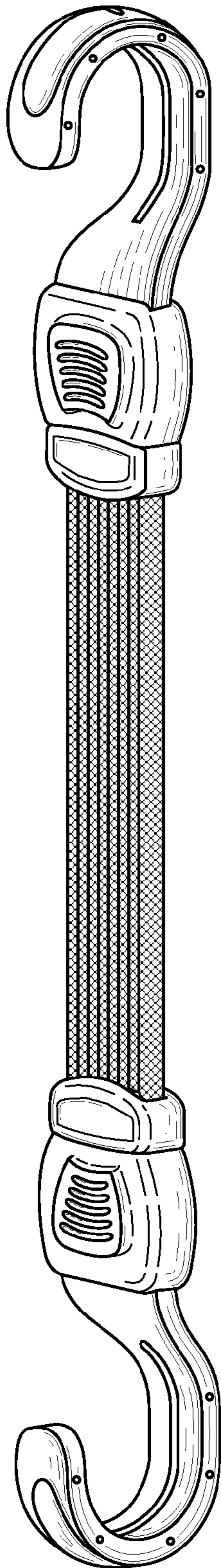
(56) **References Cited**

**U.S. PATENT DOCUMENTS**

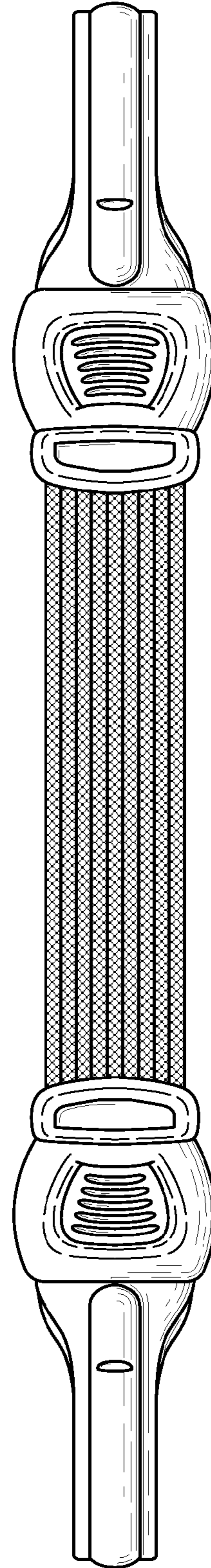
D480,946 S \* 10/2003 Estep, Jr. .... D8/367  
D551,541 S \* 9/2007 Kuo ..... D8/367  
D561,007 S \* 2/2008 Kaesler ..... D8/367

**1 Claim, 3 Drawing Sheets**

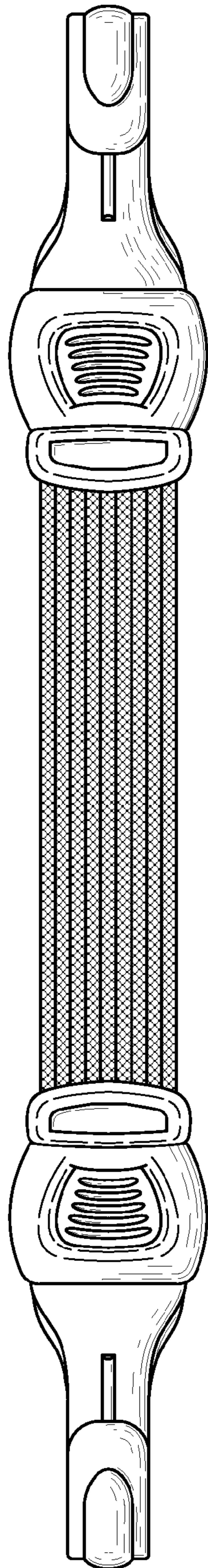




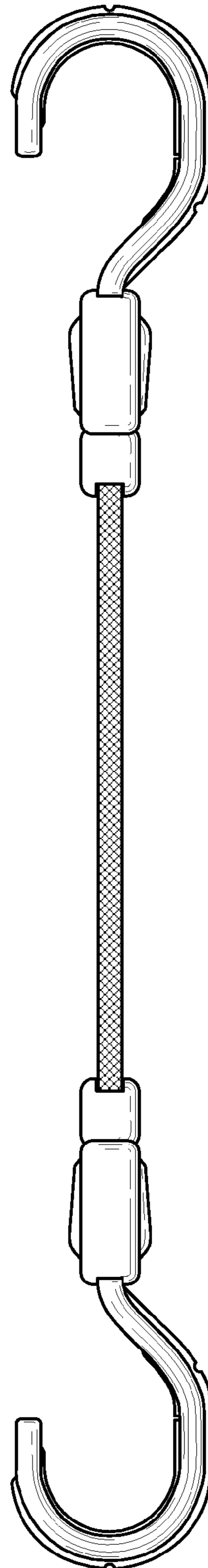
**FIG. 1**



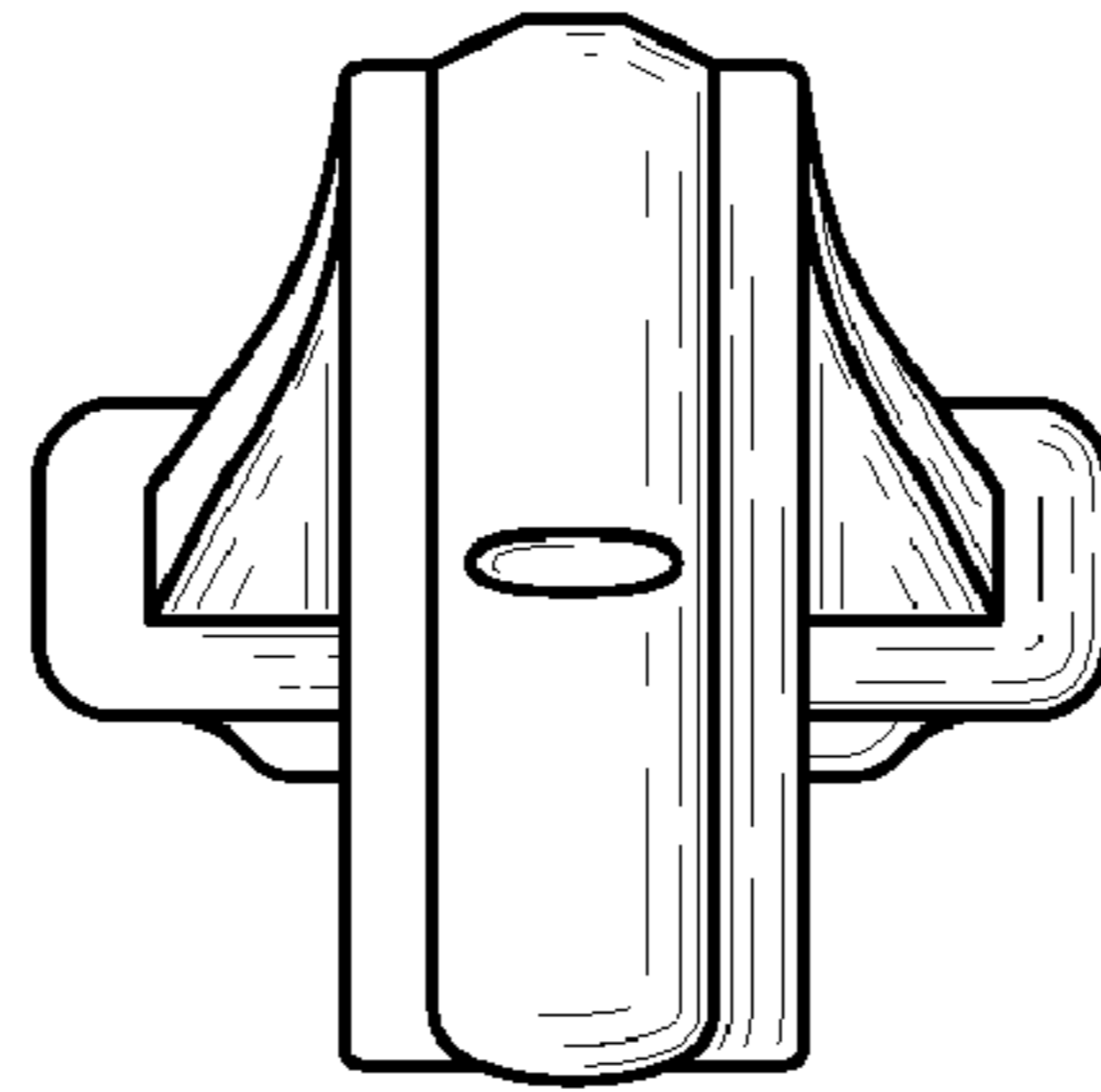
**FIG. 2**



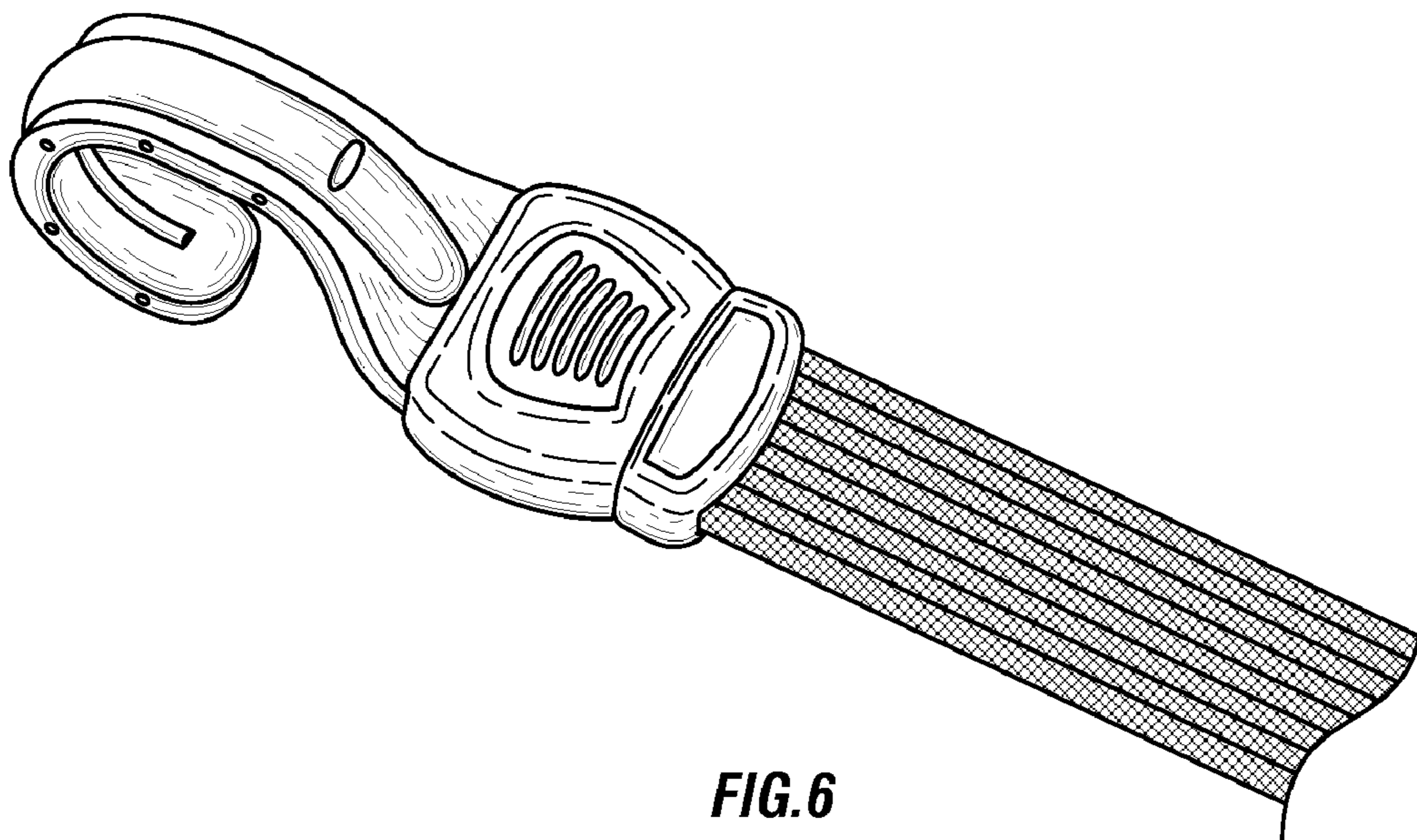
**FIG. 3**



**FIG. 4**



**FIG. 5**



**FIG. 6**