



US00D605025S

(12) **United States Design Patent**
Wu et al.

(10) **Patent No.:** **US D605,025 S**
(45) **Date of Patent:** **** Dec. 1, 2009**

(54) **PORTION OF A KEY BLANK**

(75) Inventors: **Alex Wu**, Xiamen (CN); **Kokey Huang**, Xiamen (CN)

(73) Assignee: **Newfrey LLC**, Newark, DE (US)

(**) Term: **14 Years**

(21) Appl. No.: **29/339,864**

(22) Filed: **Jul. 9, 2009**

(51) **LOC (9) Cl.** **08-07**

(52) **U.S. Cl.** **D8/347**

(58) **Field of Classification Search** D8/347,
D8/348, 331; 70/336, 344, 346, 298, 402-408,
70/429, 430, 285

See application file for complete search history.

(56) **References Cited**

U.S. PATENT DOCUMENTS

3,494,304	A *	2/1970	Gugler	264/339
4,608,842	A *	9/1986	Tietz	70/358
D349,843	S *	8/1994	Kearns	D8/347
D352,447	S *	11/1994	Kearns	D8/347
D352,448	S *	11/1994	Hoffman et al.	D8/347

D362,796	S *	10/1995	Hoffman et al.	D8/347
D559,655	S *	1/2008	Meckbach	D8/347
D575,137	S *	8/2008	Stansberry et al.	D8/347

* cited by examiner

Primary Examiner—Prabhakar Deshmukh

(74) *Attorney, Agent, or Firm*—Richard J. Veltman; John D. DelPonti

(57) **CLAIM**

The ornamental design for a portion of a key blank, as shown and described.

DESCRIPTION

FIG. 1 is a perspective view of a portion of a key blank showing a new design;

FIG. 2 is a front view thereof;

FIG. 3 is a back view thereof;

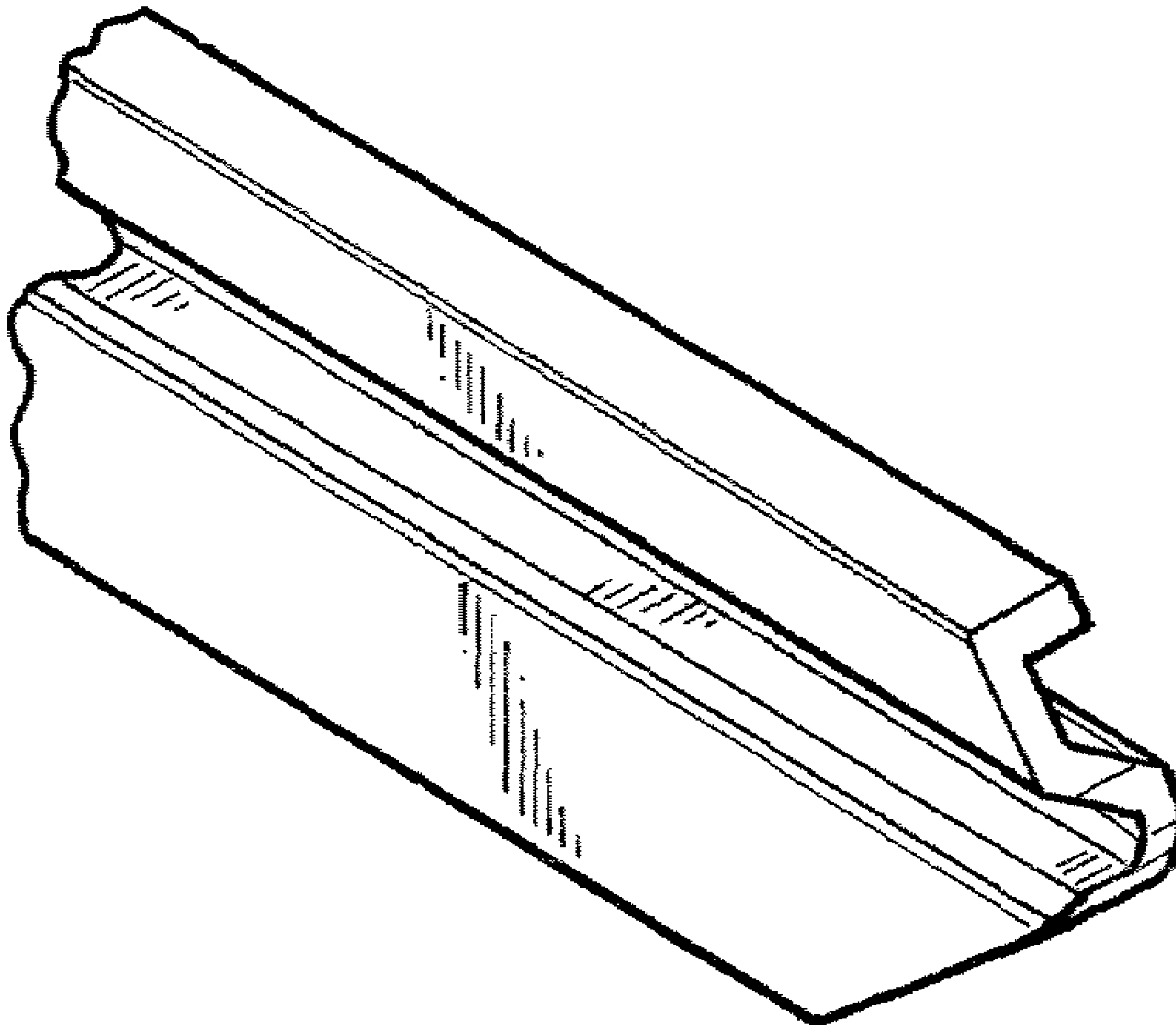
FIG. 4 is a right side view thereof;

FIG. 5 is a left side view thereof;

FIG. 6 is a top view thereof; and,

FIG. 7 is a bottom view thereof.

1 Claim, 1 Drawing Sheet



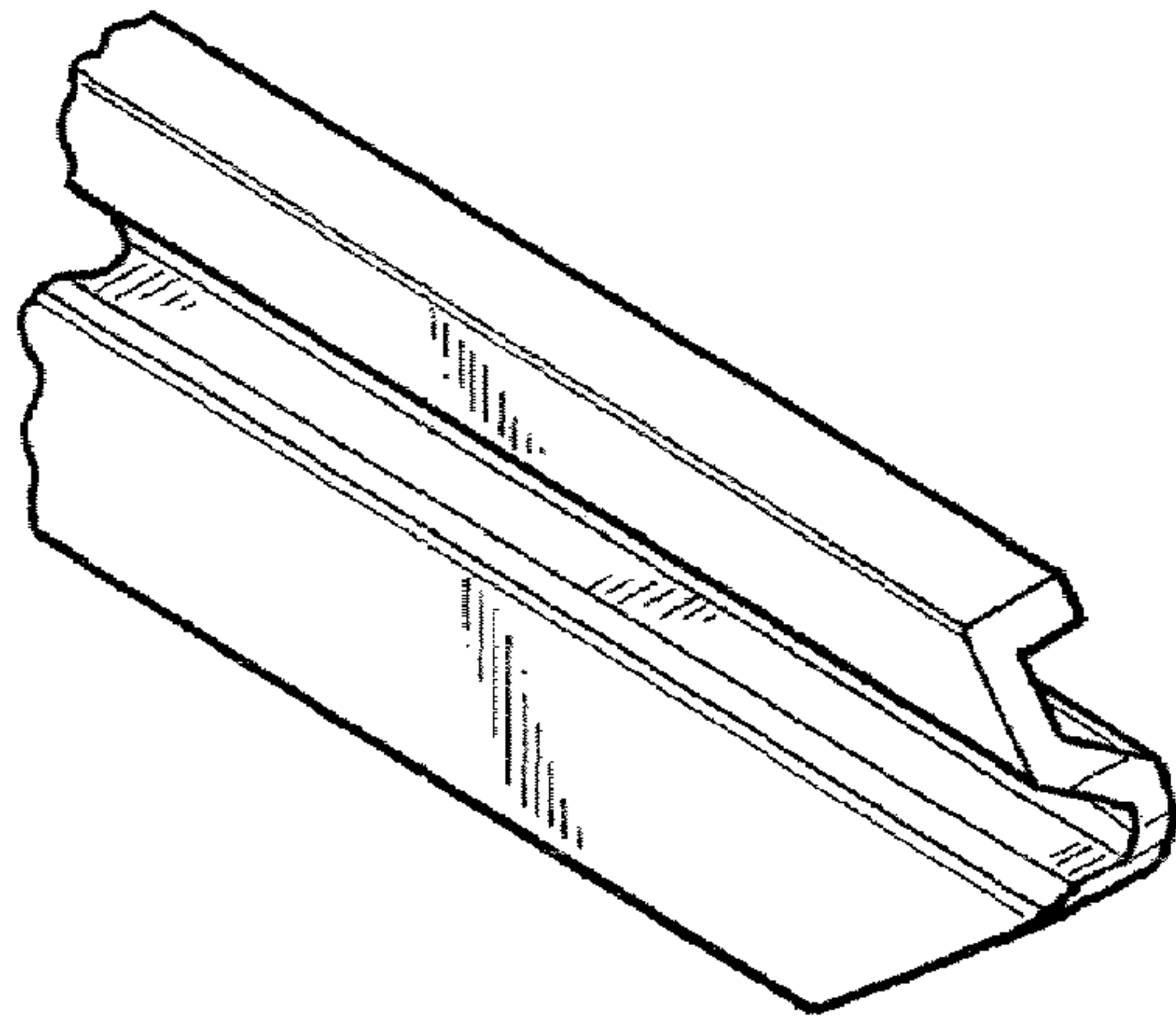


FIG. 1

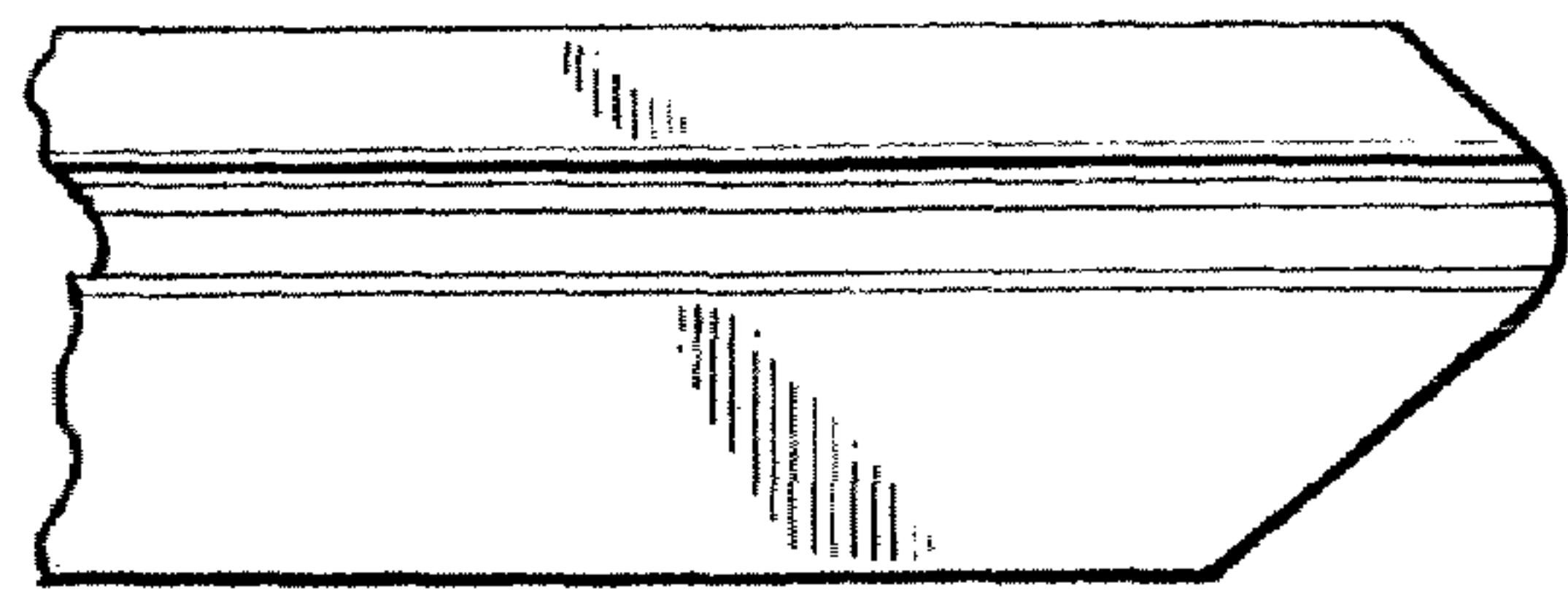


FIG. 2

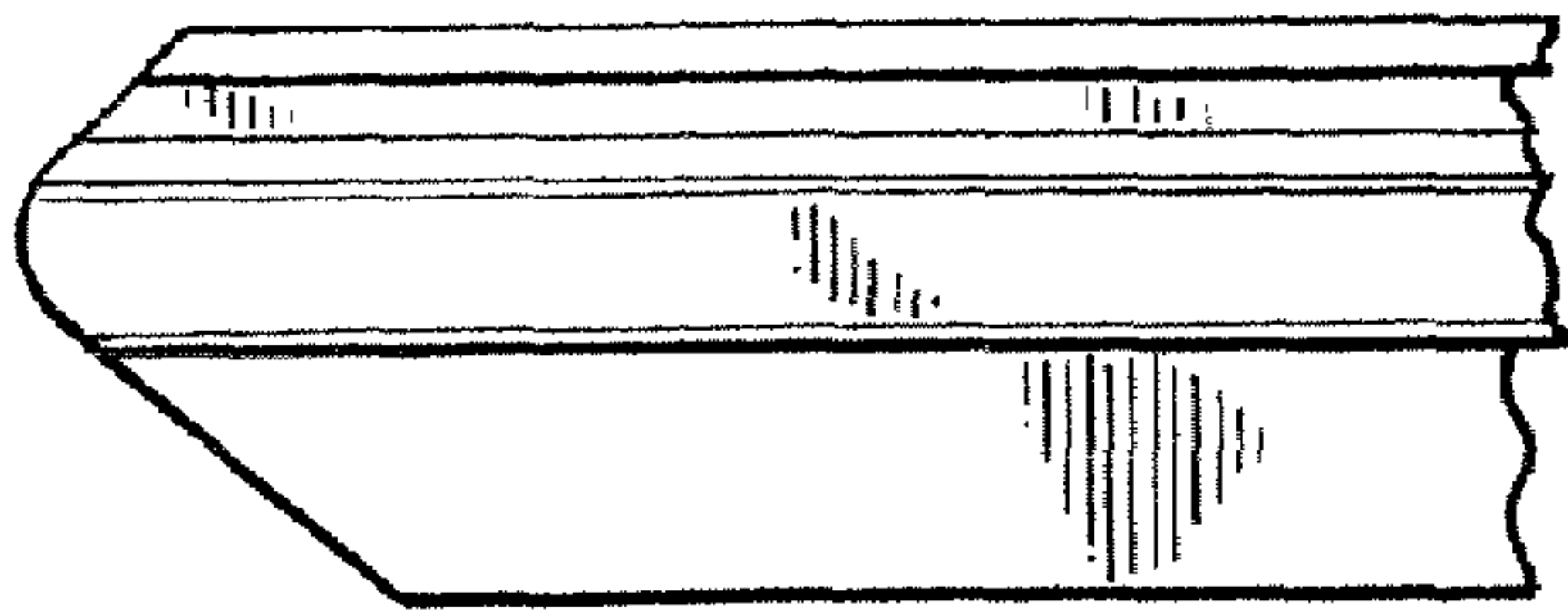


FIG. 3



FIG. 4



FIG. 5

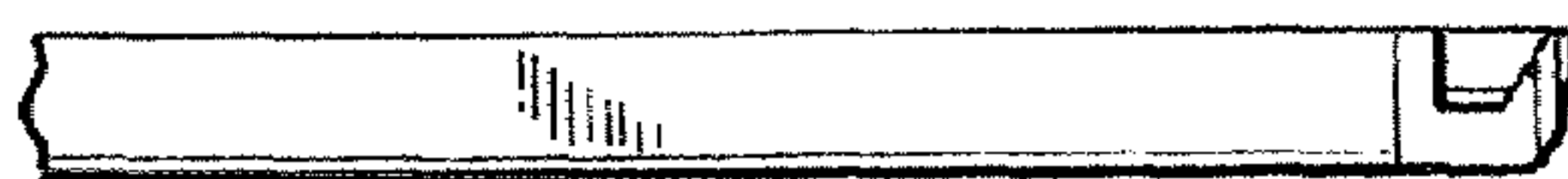


FIG. 6



FIG. 7