



US00D605024S

(12) **United States Design Patent**  
**Cotton**

(10) **Patent No.:** **US D605,024 S**

(45) **Date of Patent:** **\*\* \*Dec. 1, 2009**

(54) **T-HANDLE ACTUATOR**

(75) **Inventor:** **Oren Lee Cotton**, Anacortes, WA (US)

(73) **Assignee:** **Southco, Inc.**, Concordville, PA (US)

(\*\*) **Term:** **14 Years**

(21) **Appl. No.:** **29/306,453**

(22) **Filed:** **Apr. 9, 2008**

(51) **LOC (9) Cl.** ..... **08-06**

(52) **U.S. Cl.** ..... **D8/302; D8/307**

(58) **Field of Classification Search** ..... D8/300,  
D8/302, 307, 310, 338, DIG. 1, 331, 245;  
16/110.1, 429; 403/322.2; 292/48, 147,  
292/216, DIG. 31, DIG. 73, 66, 336.3, 346,  
292/348, 356, 347; 220/274; 70/208, 224;  
D23/249, 250, 254; 251/315.1, 315.01; D12/175  
See application file for complete search history.

(56) **References Cited**

**U.S. PATENT DOCUMENTS**

- 661,253 A \* 11/1900 Zimmerman ..... 220/274
- D51,961 S \* 4/1918 Healey ..... D8/307
- 1,563,489 A \* 12/1925 Hooppaw et al. .... 292/220
- 1,594,252 A \* 7/1926 Freysinger ..... 292/347
- 1,611,753 A \* 12/1926 Keeler ..... 292/347
- 1,611,999 A \* 12/1926 Cummins ..... 292/356
- D94,405 S \* 1/1935 Carlson ..... D8/302
- D94,406 S \* 1/1935 Carlson ..... D8/302
- D94,408 S \* 1/1935 Carlson ..... D8/302
- 2,373,083 A 4/1945 Brewster
- D190,391 S \* 5/1961 Condova ..... D8/382
- 3,046,827 A 7/1962 Myers
- 3,101,641 A 8/1963 Walker et al.
- 3,117,484 A 1/1964 Myers
- 3,170,362 A 2/1965 Mewse
- D204,461 S \* 4/1966 Volker et al. .... D22/108
- 3,243,837 A \* 4/1966 Smith ..... 16/429
- 3,438,227 A \* 4/1969 Wolniak ..... 70/208
- 3,498,653 A 3/1970 McCreery
- 3,532,013 A 10/1970 Haznar
- 3,534,650 A 10/1970 Kubokawa

- 3,596,554 A 8/1971 Low et al.
- D225,047 S \* 11/1972 Tornoe et al. .... D8/307
- 4,556,244 A \* 12/1985 Bisbing ..... 292/65
- 4,641,865 A 2/1987 Pastva
- 4,689,976 A \* 9/1987 Larsen ..... 70/208
- 4,753,626 A 6/1988 Hazebrook et al.
- 4,781,085 A 11/1988 Foxx, III
- 4,988,248 A 1/1991 Flux
- 5,038,588 A \* 8/1991 Hall ..... 70/208
- 5,184,979 A 2/1993 Hazebrook et al.
- D342,307 S \* 12/1993 Bartholf et al. .... D23/245

(Continued)

**OTHER PUBLICATIONS**

Pages 150-160 from Southco 2005 catalog.

\* cited by examiner

*Primary Examiner*—Paula Greene

(74) *Attorney, Agent, or Firm*—Paul & Paul

(57) **CLAIM**

The ornamental design for a T-handle actuator, as shown and described.

**DESCRIPTION**

FIG. 1 is a perspective view of a T-handle actuator showing my new design with portions shown in dashed lines;

FIG. 2 is a second perspective view thereof;

FIG. 3 is a left side elevational view thereof;

FIG. 4 is a right side elevational view thereof;

FIG. 5 is a front elevational view thereof;

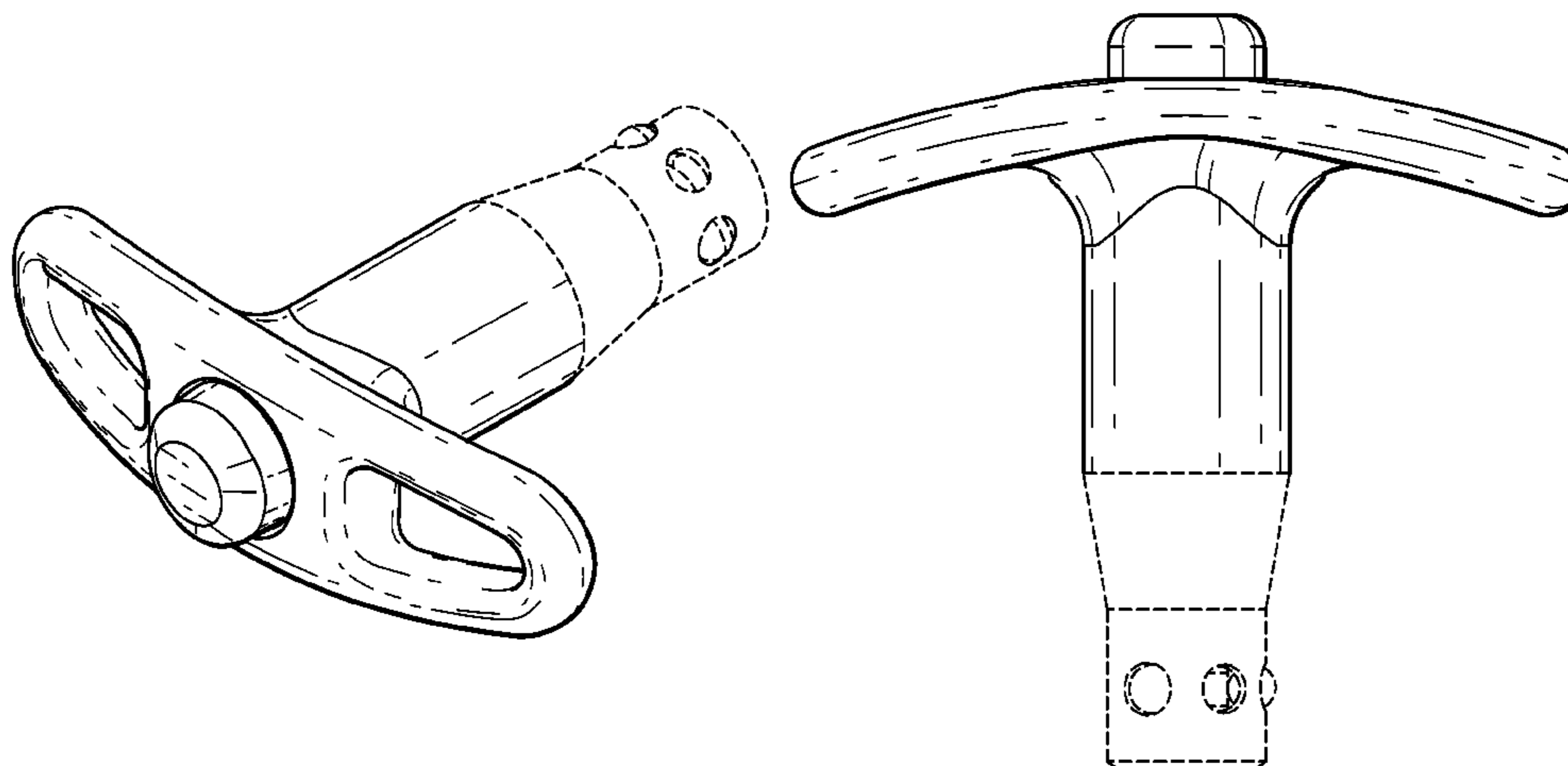
FIG. 6 is a rear elevational view thereof;

FIG. 7 is a top plan view thereof; and,

FIG. 8 is a bottom view thereof.

Portions of the drawings shown in dashed lines are not part of the claimed design.

**1 Claim, 3 Drawing Sheets**



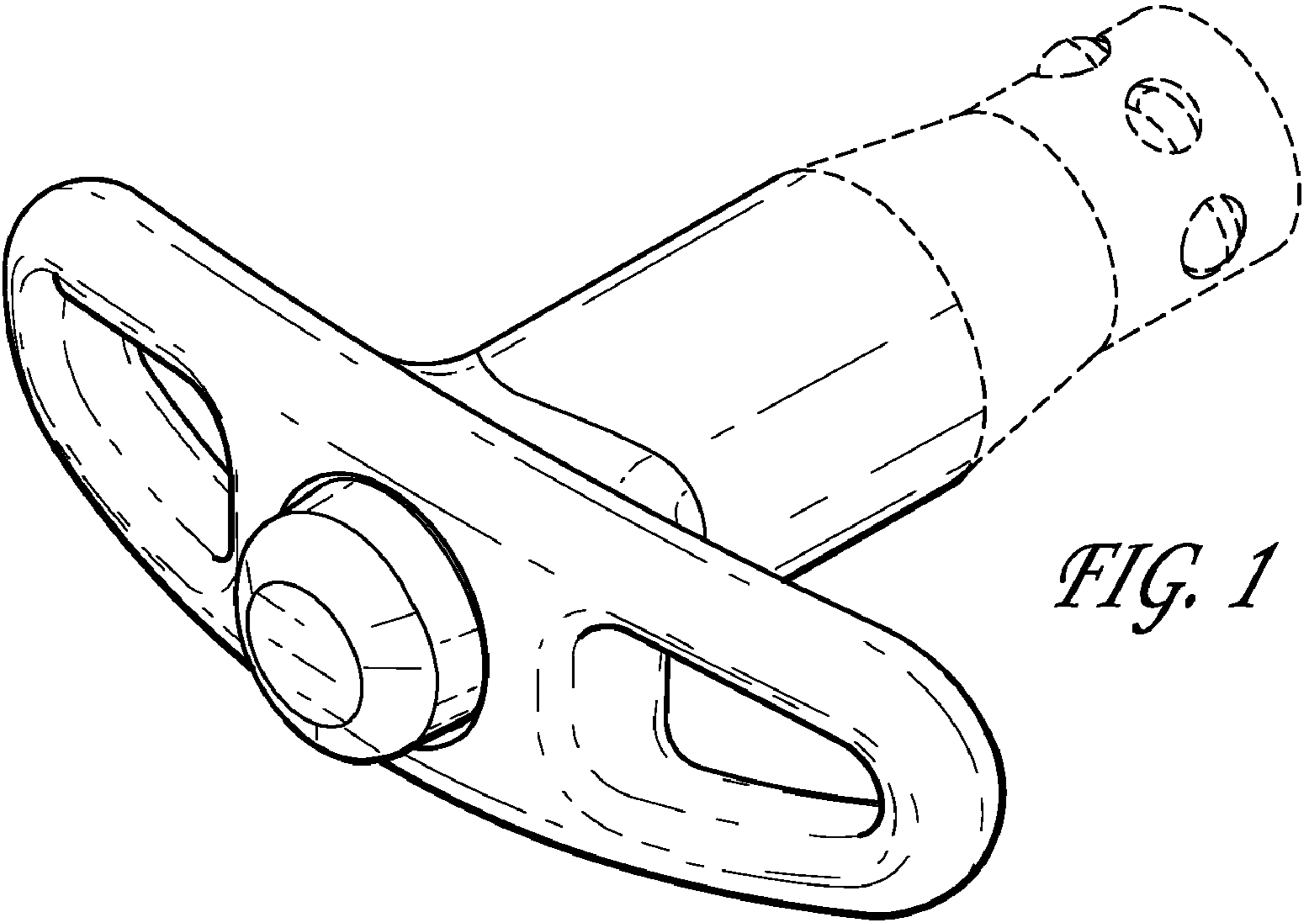
# US D605,024 S

Page 2

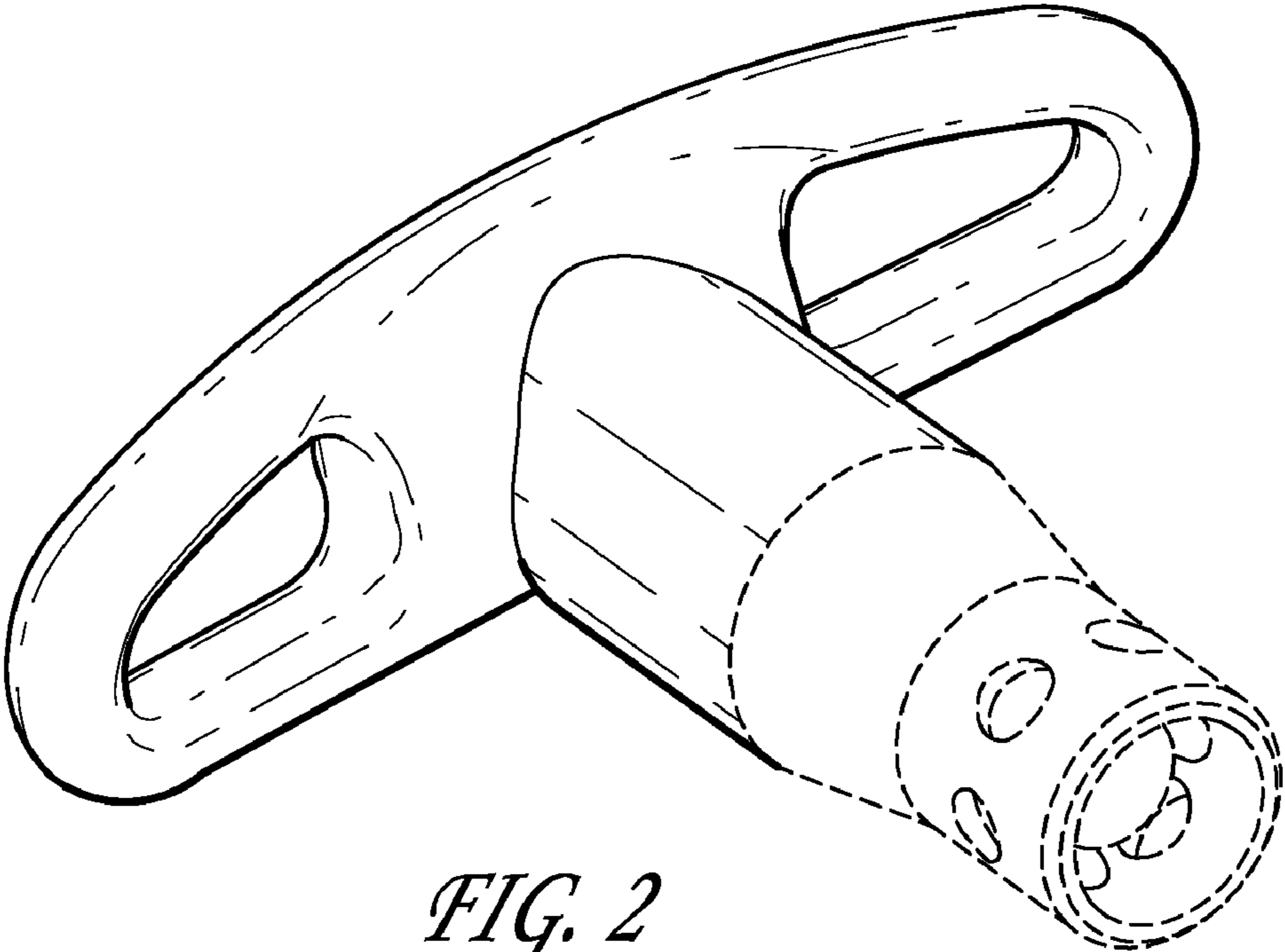
---

## U.S. PATENT DOCUMENTS

5,394,594	A	3/1995	Duran	6,386,789	B1	5/2002	Chausse et al.
5,575,443	A	11/1996	Honeycutt	D469,331	S	1/2003	Hansen
5,586,459	A *	12/1996	Bullock et al. .... 70/224	D469,679	S *	2/2003	Nykoluk ..... D8/307
5,813,296	A	9/1998	Hoff et al.	6,523,441	B2	2/2003	Lee
5,882,053	A *	3/1999	Bekins et al. .... 292/336.3	D538,131	S	3/2007	Paige et al.
6,003,414	A	12/1999	Hsieh	D572,999	S	7/2008	Gulley
6,006,631	A	12/1999	Miner et al.	D574,213	S	8/2008	Linares
D441,633	S	5/2001	Jenks	D581,243	S	11/2008	Gulley
D454,045	S	3/2002	Rinner et al.	7,452,010	B2 *	11/2008	Cotton ..... 292/66
				D596,920	S *	7/2009	Cotton et al. .... D8/331



*FIG. 1*



*FIG. 2*

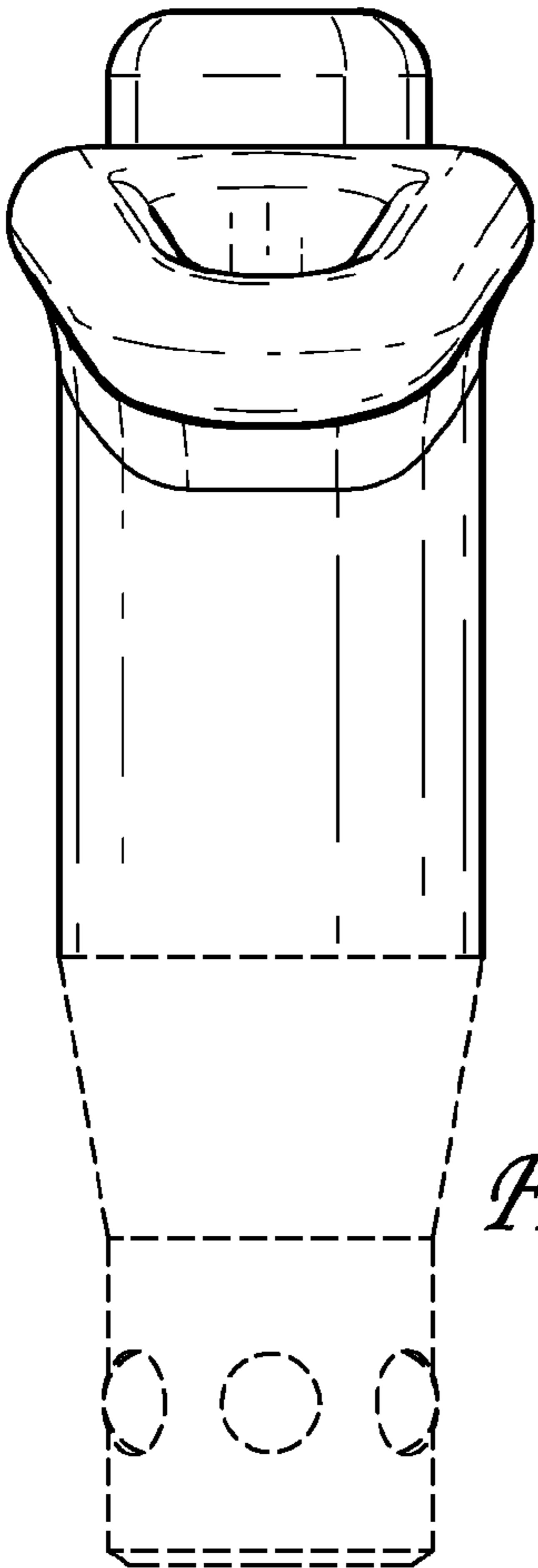
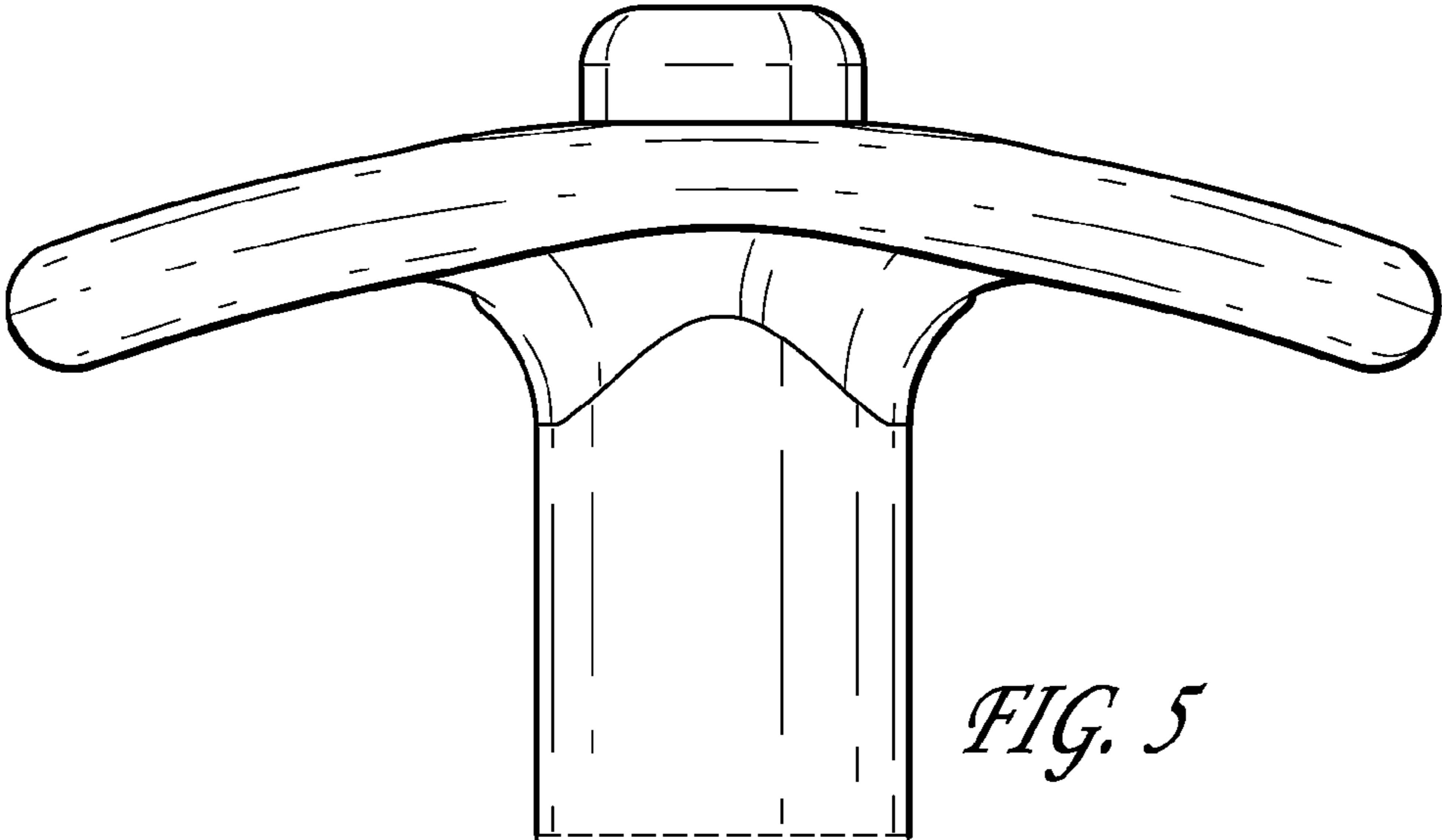
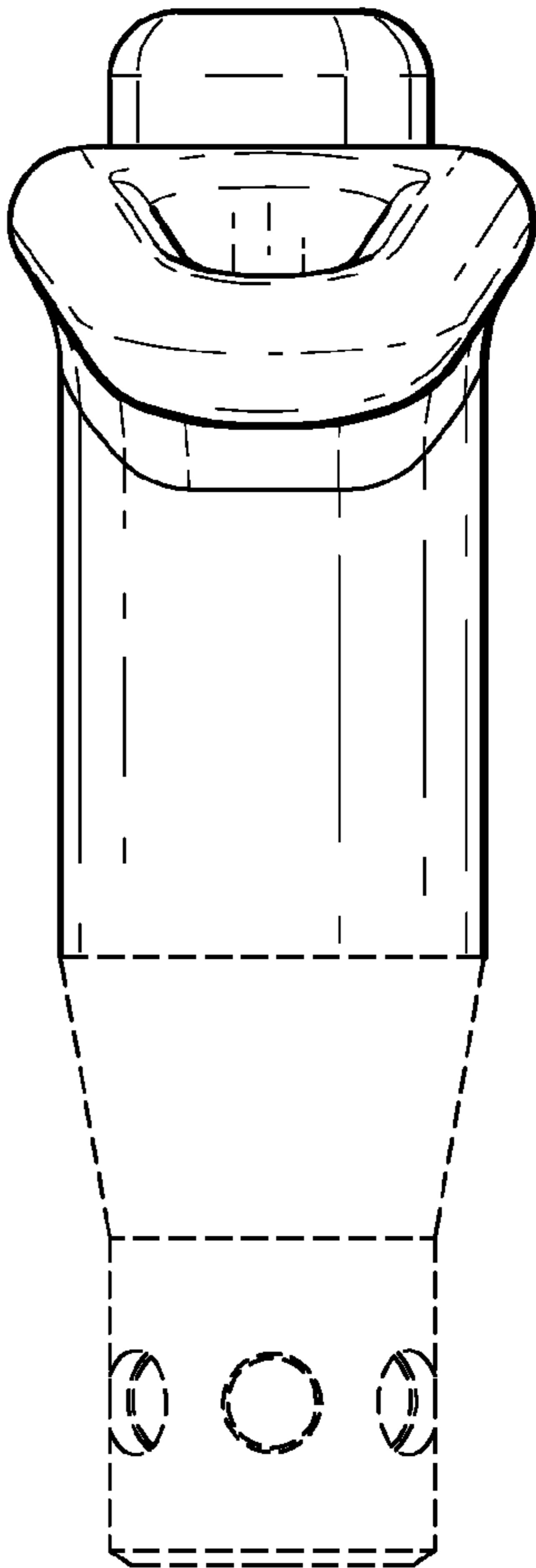
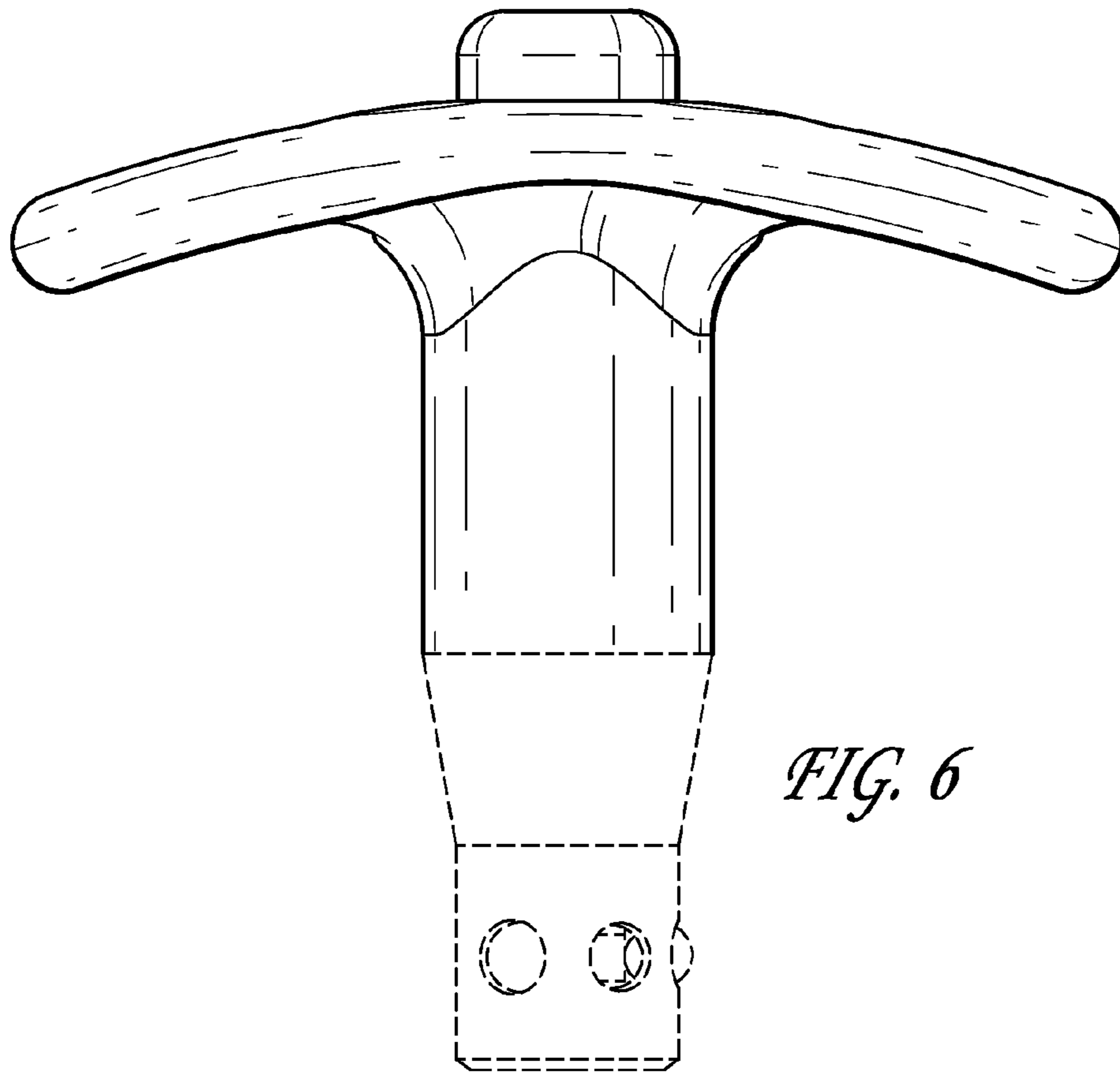
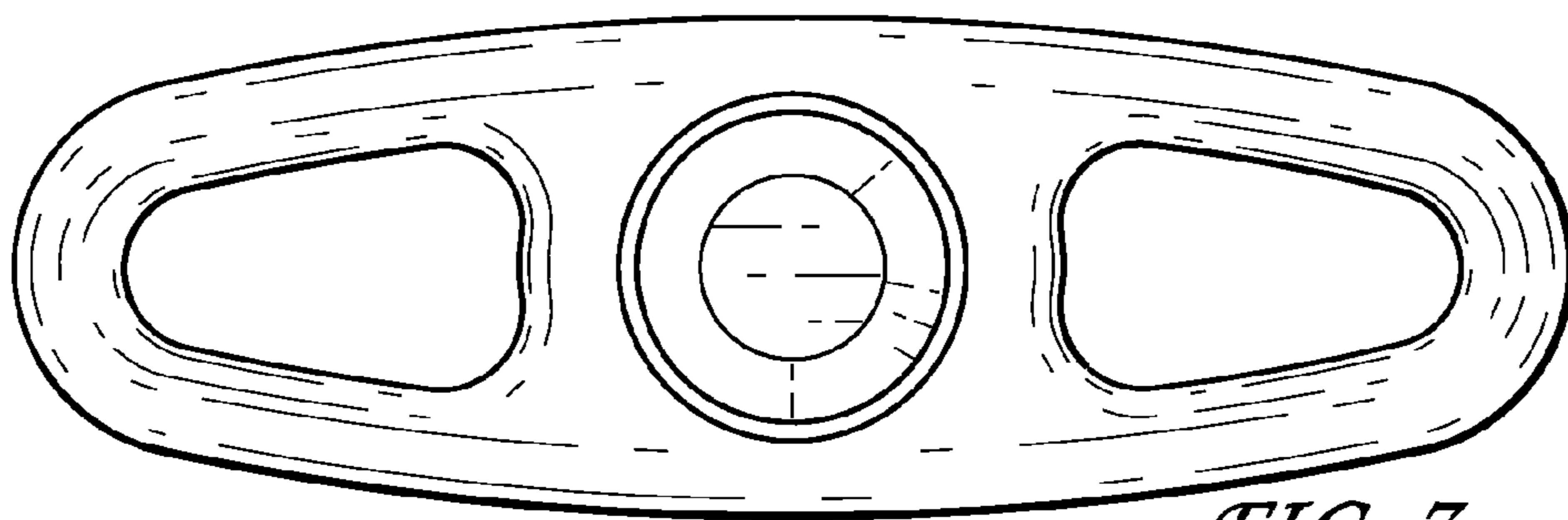


FIG. 4

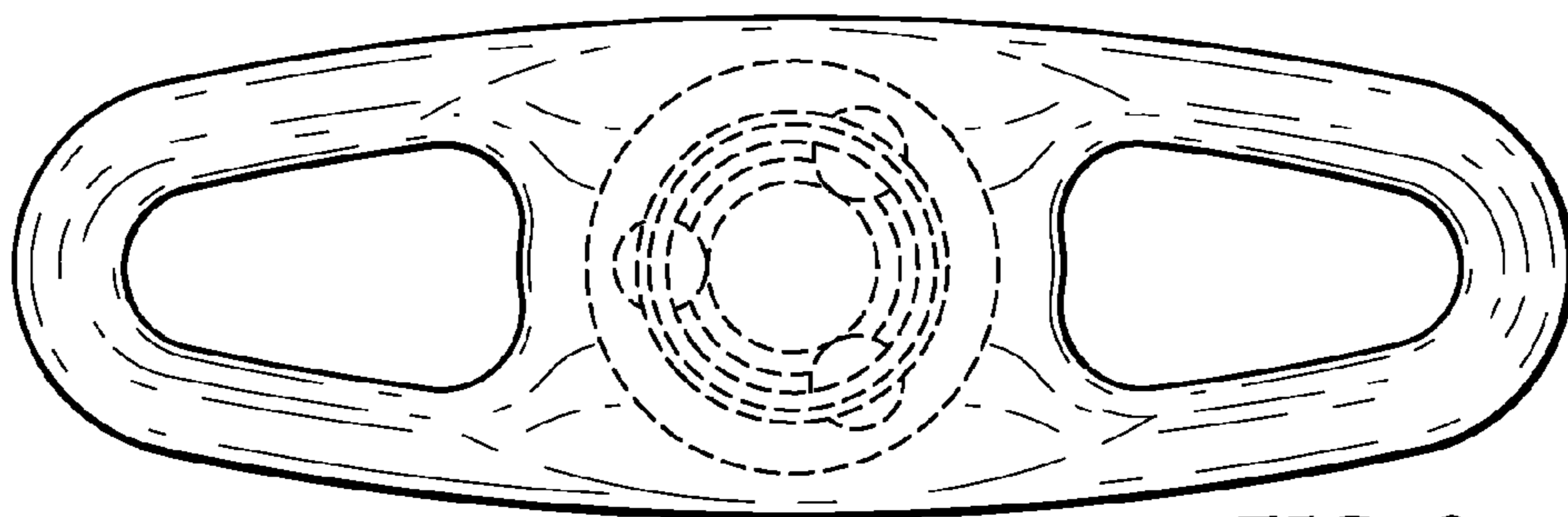




*FIG. 6*



*FIG. 7*



*FIG. 8*