



US00D605023S

(12) **United States Design Patent**
Hyde et al.

(10) **Patent No.:** **US D605,023 S**
(45) **Date of Patent:** **** Dec. 1, 2009**

(54) **TRIMMING PLANE**

821,525 A 5/1906 Nordquist
837,978 A 12/1906 Traut

(75) Inventors: **Brent Hyde**, Ottawa (CA); **Brian Ebbinghaus**, Kanata (CA)

(Continued)

FOREIGN PATENT DOCUMENTS

(73) Assignee: **Lee Valley Tools, Ltd.**, Ottawa (CA)

CA 554421 3/1958

(**) Term: **14 Years**

(Continued)

OTHER PUBLICATIONS

(21) Appl. No.: **29/332,711**

“#140 Rabbet and Block Plane, 7”L, 1¾”W (1½”, 1936 on), 1½lbs, 1896-1944.” The Superior Works—Patrick’s Blood and Gore: Planes #90-#100 <http://www.supertool.com/StanleyBG/stan12.htm>.

(22) Filed: **Feb. 24, 2009**

(Continued)

(51) **LOC (9) Cl.** **08-03**

(52) **U.S. Cl.** **D8/101**

(58) **Field of Classification Search** D8/14,
D8/51, 98, 99, 101; 30/478, 487, 488, 489,
30/490, 491, 492

Primary Examiner—Philip S Hyder

(74) *Attorney, Agent, or Firm*—Kilpatrick Stockton LLP;
John S. Pratt; Camilla C. Williams

See application file for complete search history.

(57) **CLAIM**

(56) **References Cited**

U.S. PATENT DOCUMENTS

13,381 A	8/1855	Bailey
81,879 A	9/1868	Comp
97,833 A	12/1869	Tanner et al.
135,341 A	1/1873	Jones
274,600 A	3/1883	Hegglund
296,207 A	4/1884	Mosher et al.
305,603 A	9/1884	Keiser
306,763 A	10/1884	Laskey
306,877 A	10/1884	Traut
315,014 A	4/1885	Duncan et al.
323,804 A	8/1885	Gage
368,003 A	8/1887	Polhemus
369,908 A	9/1887	Blair
528,829 A	11/1894	Traut
545,732 A	9/1895	Schade
636,830 A	11/1899	Miller
645,220 A	3/1900	Traut
744,411 A	11/1903	Sarasin
749,827 A	1/1904	Sjolander
779,392 A	1/1905	Bjordal
781,771 A	2/1905	Gardner

The ornamental design for trimming plane, as shown and described.

DESCRIPTION

FIG. 1 is a perspective view of a trimming plane of this invention.

FIG. 2 is a right side elevation view of the trimming plane shown in FIG. 1;

FIG. 3 is a left side elevation view of the trimming plane shown in FIG. 1.

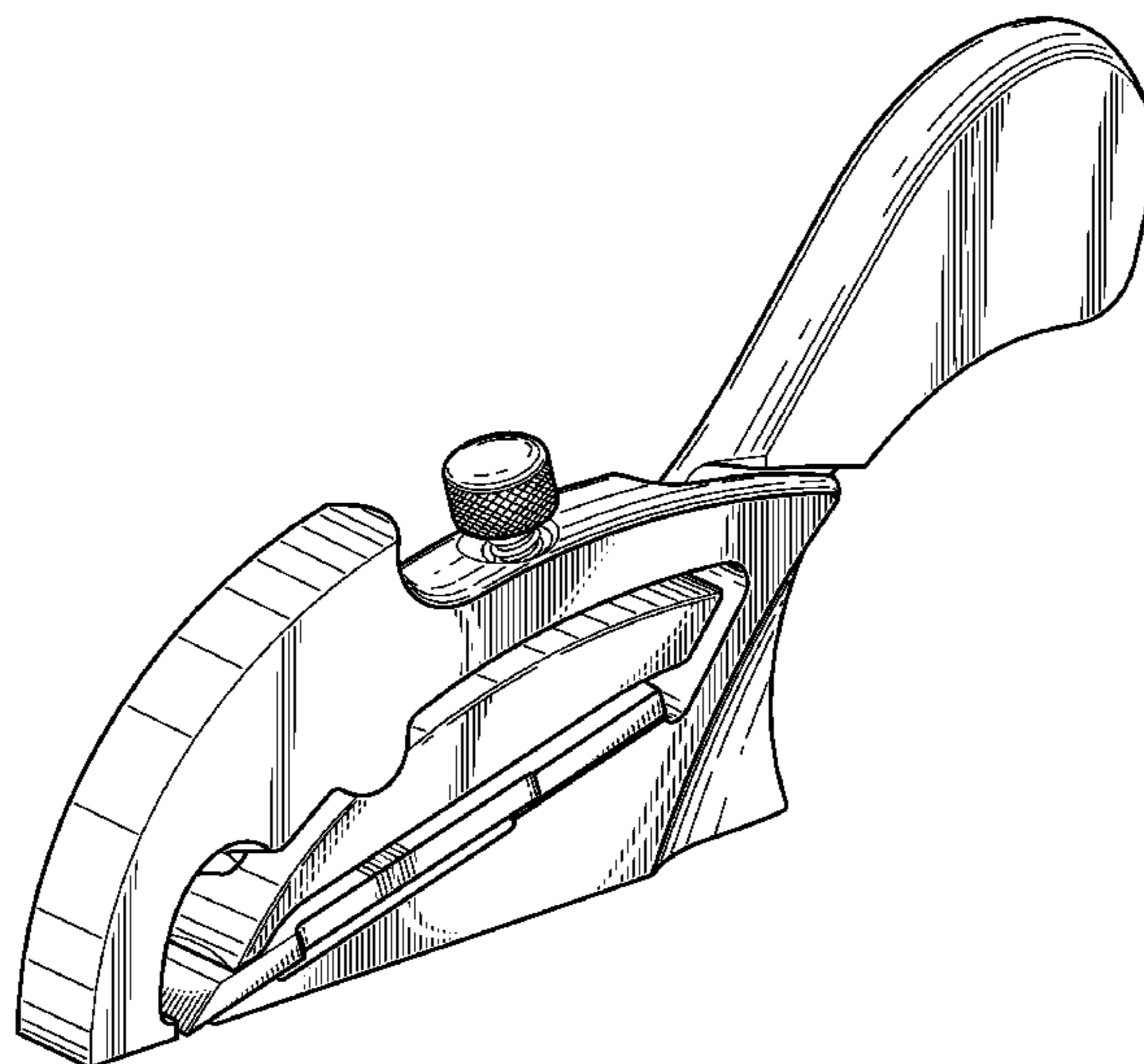
FIG. 4 is a top plan view of the trimming plane shown in FIG. 1.

FIG. 5 is a bottom plan view of the trimming plane shown in FIG. 1.

FIG. 6 is an end view of the trimming plane shown in FIG. 1; and,

FIG. 7 is another end view of the trimming plane shown in FIG. 1.

1 Claim, 3 Drawing Sheets



U.S. PATENT DOCUMENTS

902,977 A 11/1908 Link
 917,568 A 4/1909 Ekman
 960,256 A 6/1910 Bodmer
 968,508 A 8/1910 Bodmer
 1,090,225 A 3/1914 Page
 1,098,706 A 6/1914 Bodmer
 1,221,436 A 4/1917 Gaede
 1,264,350 A 4/1918 Usinger
 1,332,919 A 6/1920 Ritter
 1,399,631 A 5/1921 Lofdahl et al.
 1,417,857 A 5/1922 Pfeiffer
 1,439,207 A 12/1922 Vaughan
 1,440,649 A 1/1923 Tvedt
 1,448,775 A 3/1923 Trump
 1,567,342 A 12/1925 Szako
 1,618,604 A 2/1927 Riggs
 1,726,124 A 8/1929 Rodionoff
 1,914,609 A 6/1933 MacAller
 D137,230 S 2/1944 Oxhandler
 2,347,570 A 4/1944 Lavietes
 2,371,946 A 3/1945 Benn
 D141,110 S 5/1945 Doniger
 D159,339 S 7/1950 Huxtable
 2,550,377 A 4/1951 Pratt
 2,550,766 A 5/1951 Bryant
 2,568,665 A 9/1951 Shaler
 2,570,980 A 10/1951 Powell
 2,645,259 A 7/1953 Ackland
 2,648,363 A 8/1953 Weber
 2,655,721 A 10/1953 Einhorn
 2,682,699 A 6/1954 Merrill
 2,693,029 A 11/1954 Kass
 2,758,619 A 8/1956 Swanson et al.
 2,839,109 A 6/1958 Wilson et al.
 2,969,097 A 1/1961 Kulbersh et al.
 3,026,927 A 3/1962 Matheis et al.
 3,028,892 A 4/1962 Filia
 3,523,348 A 8/1970 Nilsson
 3,710,467 A 1/1973 Coon et al.
 3,763,531 A 10/1973 Dancsik
 3,983,595 A 10/1976 Knudsen et al.
 4,015,649 A 4/1977 Gilbert
 4,027,388 A 6/1977 Fletcher
 4,088,165 A 5/1978 Andersson
 D260,728 S 9/1981 Breger
 4,492,260 A 1/1985 Whiteford
 D277,641 S 2/1985 Hayes et al.
 4,498,513 A 2/1985 Derivaz
 4,589,209 A 5/1986 Zarges et al.
 4,821,419 A 4/1989 Lee
 5,459,928 A 10/1995 Lynn et al.
 5,694,696 A 12/1997 Lee et al.
 D435,777 S 1/2001 Jones et al.
 6,615,497 B1 9/2003 Saunders et al.
 D481,288 S 10/2003 Saunders
 6,708,412 B2 3/2004 Saunders et al.
 7,117,602 B2 10/2006 Saunders

D563,190 S 3/2008 Lee et al.
 7,444,750 B2 11/2008 Saunders
 D591,579 S 5/2009 Saunders et al.
 D595,558 S 7/2009 Saunders
 2003/0037446 A1 2/2003 Saunders et al.
 2004/0068878 A1 4/2004 Lin
 2004/0074098 A1 4/2004 Schwarz et al.
 2005/0061398 A1 3/2005 Saunders
 2005/0188553 A1 9/2005 Lee et al.
 2005/0229409 A1 10/2005 Lee et al.
 2007/0044328 A1 3/2007 Economaki

FOREIGN PATENT DOCUMENTS

DE 0046033 12/1887
 DE 20215203 U1 11/2002
 GB 2280868 2/1995
 GB 2391828 4/2005
 SE 149704 12/1951
 SE 134377 1/1952

OTHER PUBLICATIONS

“#289 Filletster and Rabbet Plane, 8½"L, 1¾"W (1⅞"W, 1936 on), 3¾lbs, 1911-1948,” The Superior Works—Patrick’s Blood and Gore: Planes #90 - #100 <http://www.supertool.com/StanleyBG/stan14.htm>.
 “#78 Duplex Filletster and Rabbet Plane, 8½"L (8¼", 1936on) 1½"W, 3lbs, 1885-1973,” The Superior Works: Stanley Blood and Gore Planes #71 - #87 <http://www.supertool.com/StanleyBG/stan10.htm>.
 “12-052-10 Blade Plough Combination Plane”.
 “1998/1999 Issue of Lee Valley & Veritas® Catalog,” items H, J & K and items C & H, copyright 1988, pp. 26 & 27.
 “Pictures of ATM blind nailer”.
 “Chisel Gauge, Stanley No. 96”.
 “Conover blind nailer”, Conover Woodcraft Specialties, Inc. brochure.
 “Fale’s Patent Plane—Patented Transitional and Metallic Planes in America, 1827-1927,” The North Village Publishing Co. 1981, p. 101.
 “Picture of Stanley 112 Cabinet Scraper Plane,” <http://www.goantiques.com/scripts/images,id,823461.html>.
 “Shop Solutions, Scraper Holder,” Shopnotes, Issue 3, p. 26.
 “VarvillSkew Mouth Rabbet Plane,” Old Tools.co.uk and Collectables, http://oldtools.co.uk/tools/planes/_scrapers/wooden.planes/wooden.plane.p1814.php.
 “Veritas Small Plow Plane,” Lee Valey and Veritas <http://www.leevalley.com/wood/page.aspx?c=57678&cat=1,41182>.
 Item Numbered U, “Highland Hardware Catalog titled Woodworking Tools, Books & Supplies,” Fall 91/Winter 92 Catalog, p. 83.
 Lee, Leonard “The Complete Guide to Sharpening, A Fine Woodworking Book”, Jan. 15, 1995, pp. 229-233.
 Walter, John “Antique & Collectible Stanley Tools Guide to Identity and Value,” #112 Cabinet Scraper Plane, The Tool Merchant, Marietta, Ohio Sep. 1996.
 “Veritas® Bullnose Plane,” Lee Valley Tools, <http://www.leevalley.com/wood/page.aspx?c=1&p=49709&cat=1,230,41182,41192&ap=1>, printed Sep. 10, 2009.

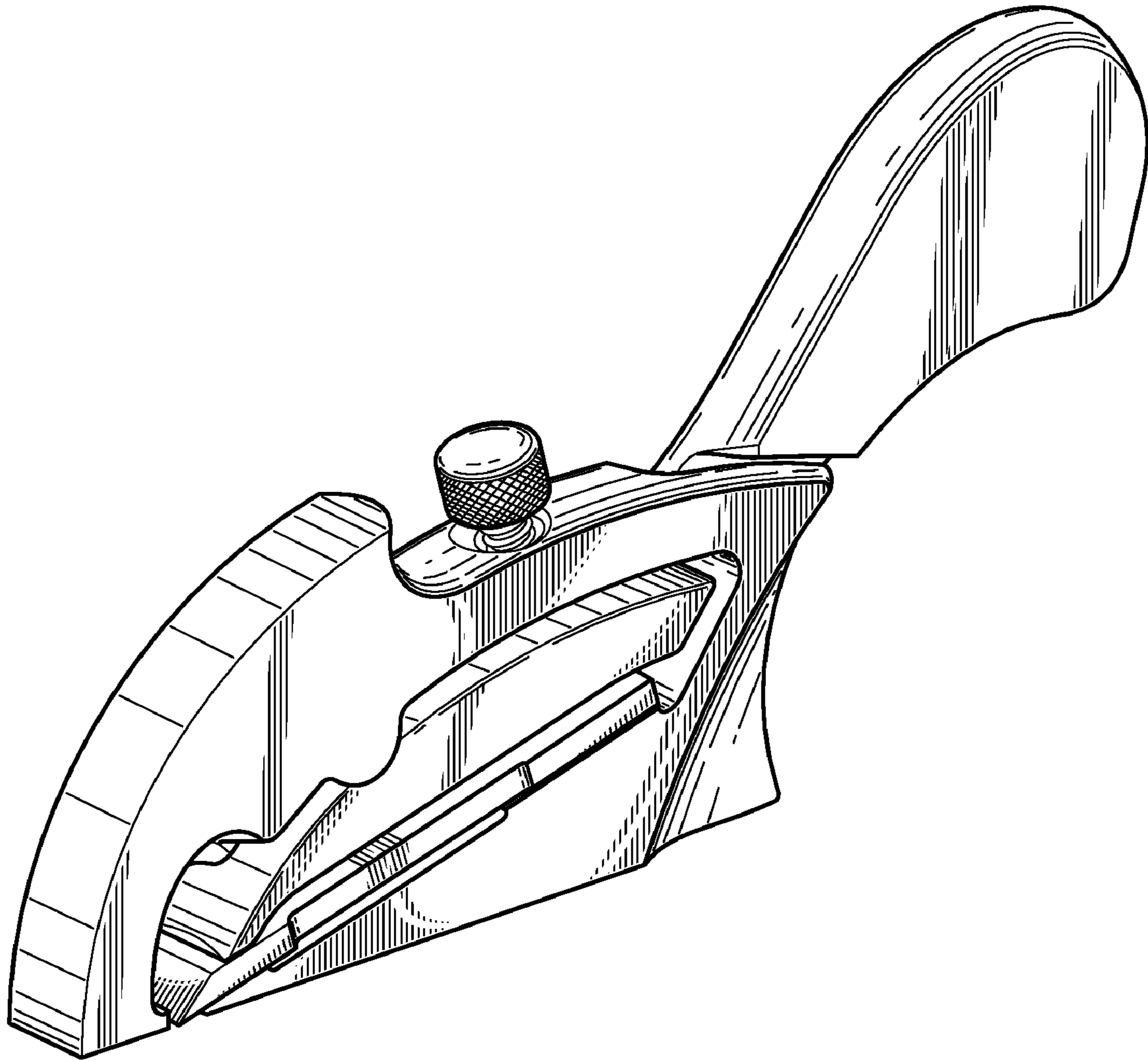


Fig. 1

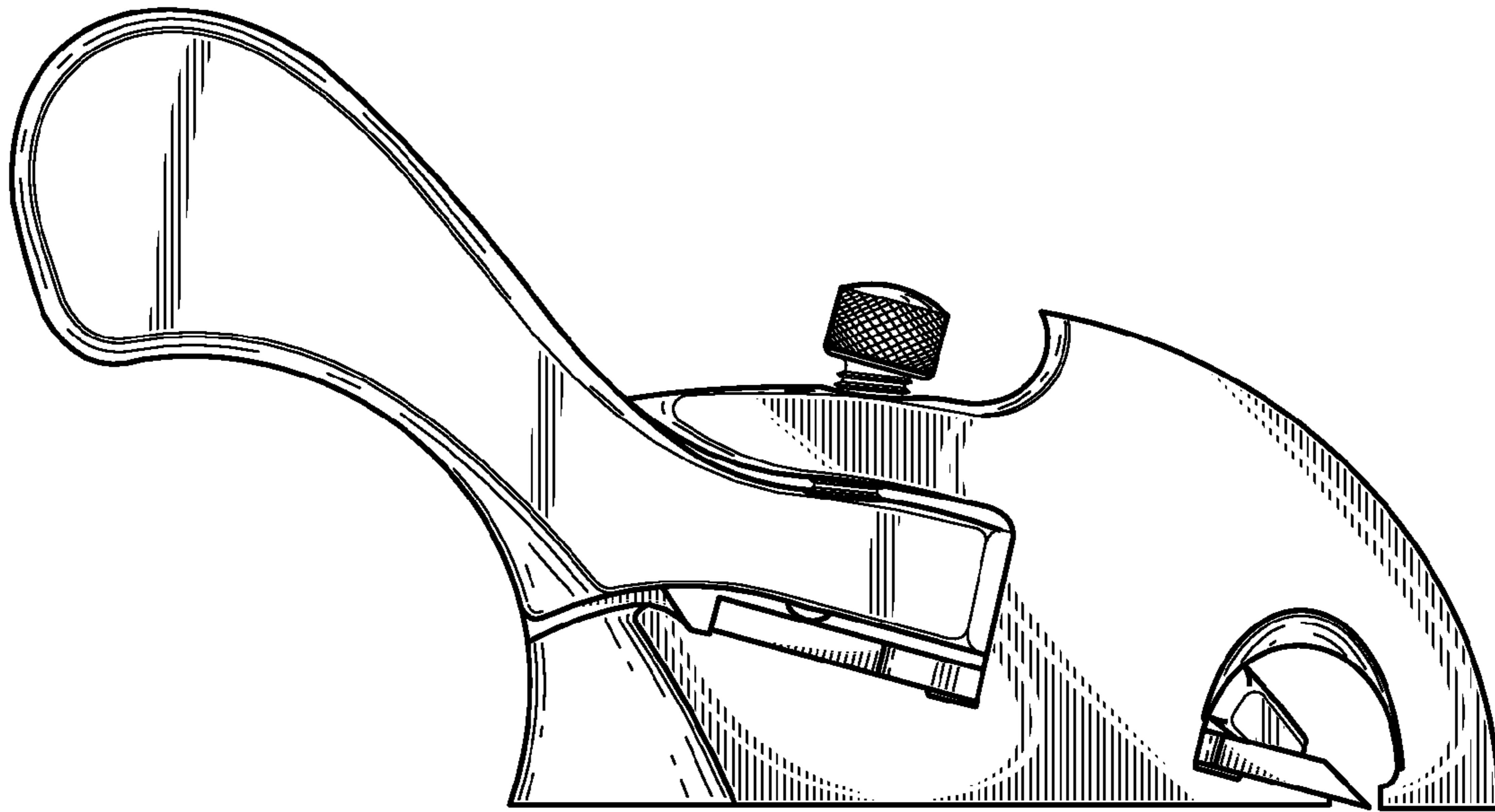


Fig. 2

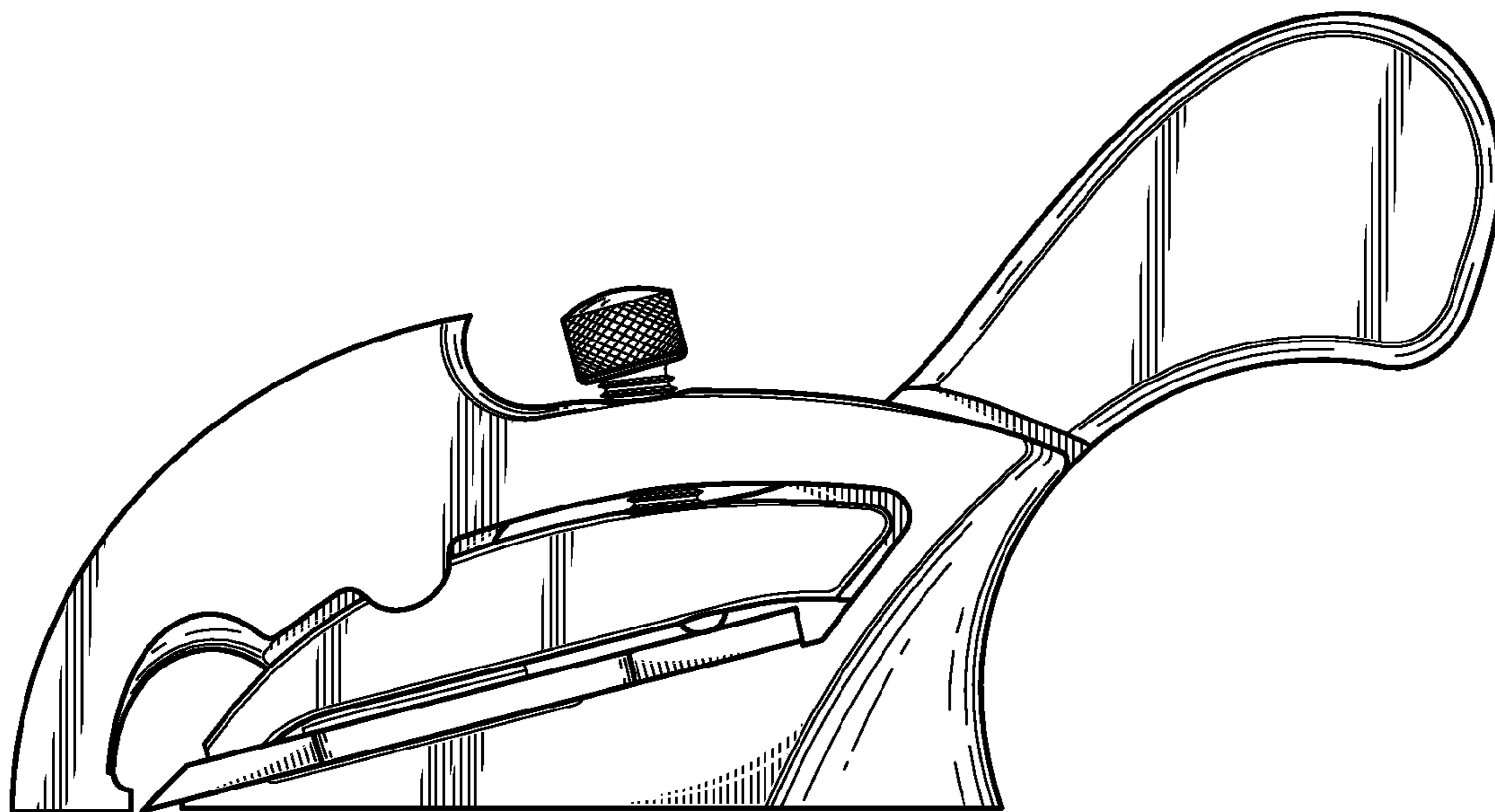


Fig. 3

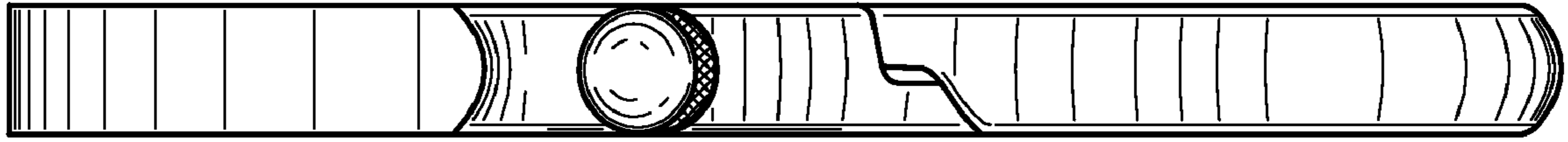


Fig. 4



Fig. 5

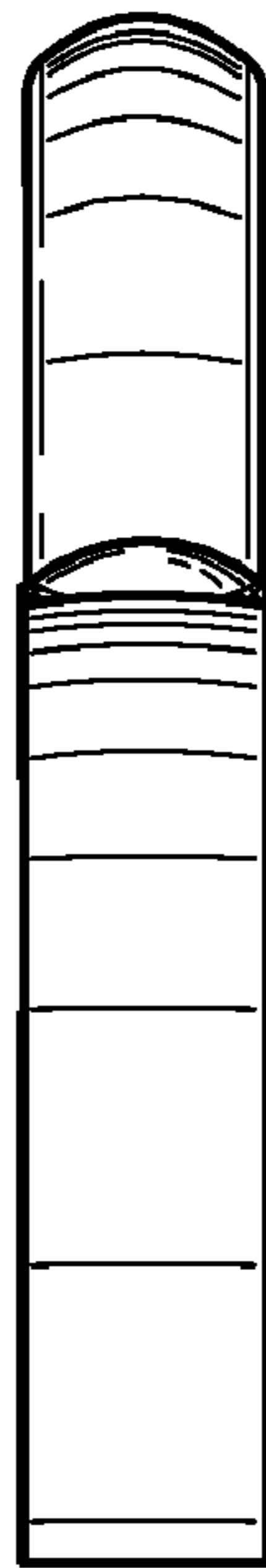


Fig. 6

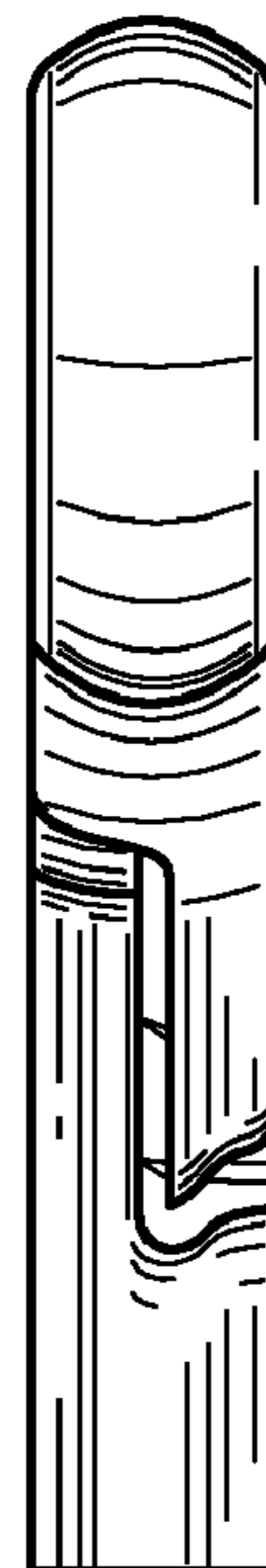


Fig. 7