



US00D605022S

(12) **United States Design Patent**
Noraker

(10) **Patent No.:** **US D605,022 S**
(45) **Date of Patent:** **** Dec. 1, 2009**

(54) **KNIFE**

D573,864 S * 7/2008 Glesser D8/99

(75) Inventor: **Alan G. Noraker**, Aurora, CO (US)

* cited by examiner

(73) Assignee: **Wright & McGill Co.**, Denver, CO (US)

Primary Examiner—Philip S Hyder
(74) *Attorney, Agent, or Firm*—Sheridan Ross P.C.

(**) Term: **14 Years**

(21) Appl. No.: **29/339,124**

(57) **CLAIM**

(22) Filed: **Jun. 24, 2009**

The ornamental design for a knife, as shown and described.

(51) **LOC (9) Cl.** **08-03**

(52) **U.S. Cl.** **D8/99; D8/100**

(58) **Field of Classification Search** D8/98,
D8/99; D22/118; 30/155, 156, 157, 158,
30/159, 160, 161

DESCRIPTION

See application file for complete search history.

FIG. 1 is a front perspective view of a knife, showing my new design in an open position, the broken lines representing environment and forming no part of the claim design;

(56) **References Cited**

U.S. PATENT DOCUMENTS

D302,650 S *	8/1989	Giordano	D8/99
D411,091 S *	6/1999	Halligan	D8/99
D414,671 S *	10/1999	Halligan	D8/99
D429,986 S *	8/2000	Cheng	D8/99
6,105,255 A *	8/2000	Cheng	30/161
D492,568 S *	7/2004	Allen	D8/99
6,848,184 B2 *	2/2005	Cheng	30/155
D505,057 S *	5/2005	Ralph	D8/99
D520,843 S *	5/2006	Voros	D8/99
D523,317 S *	6/2006	Ryan et al.	D8/99
D553,467 S *	10/2007	Ryan	D8/99
D569,212 S *	5/2008	Hawk et al.	D8/99

FIG. 2 is a top plan view of the invention illustrated in FIG. 1;

FIG. 3 is a front elevation view of the invention illustrated in FIG. 1;

FIG. 4 is a left elevation view of the invention illustrated in FIG. 1;

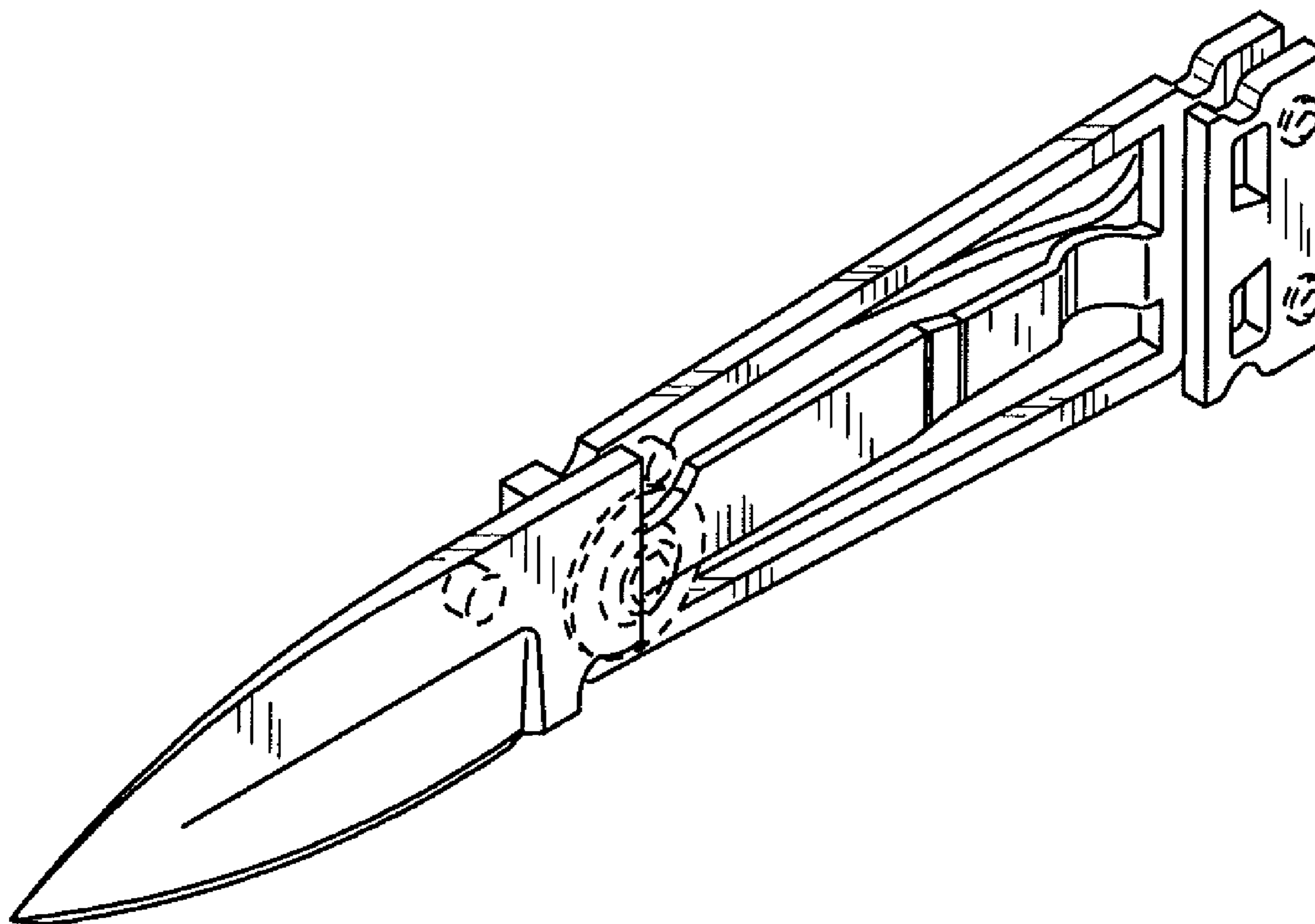
FIG. 5 is a bottom plan view of the invention illustrated in FIG. 1;

FIG. 6 is a rear elevation view of the invention illustrated in FIG. 1;

FIG. 7 is a right elevation view of the invention illustrated in FIG. 1; and,

FIG. 8 is front elevation view of the invention illustrated in FIG. 1, in a closed position.

1 Claim, 2 Drawing Sheets



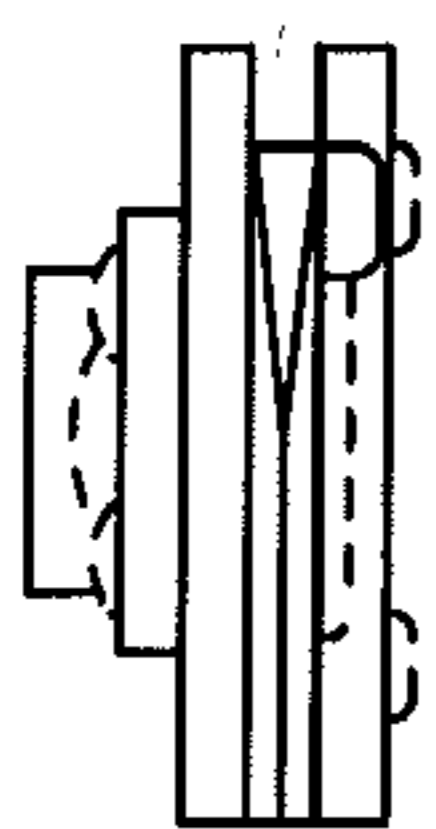
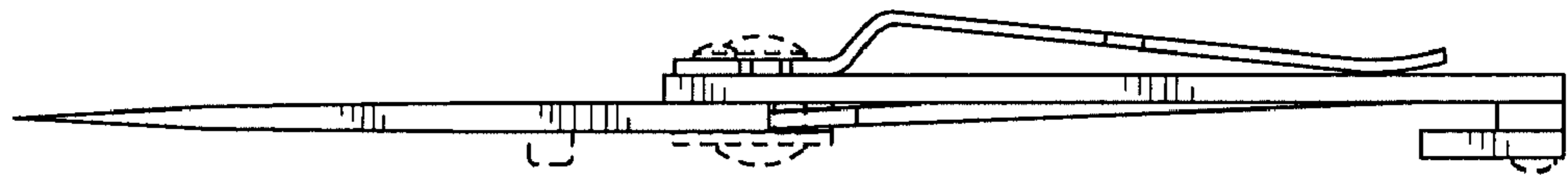
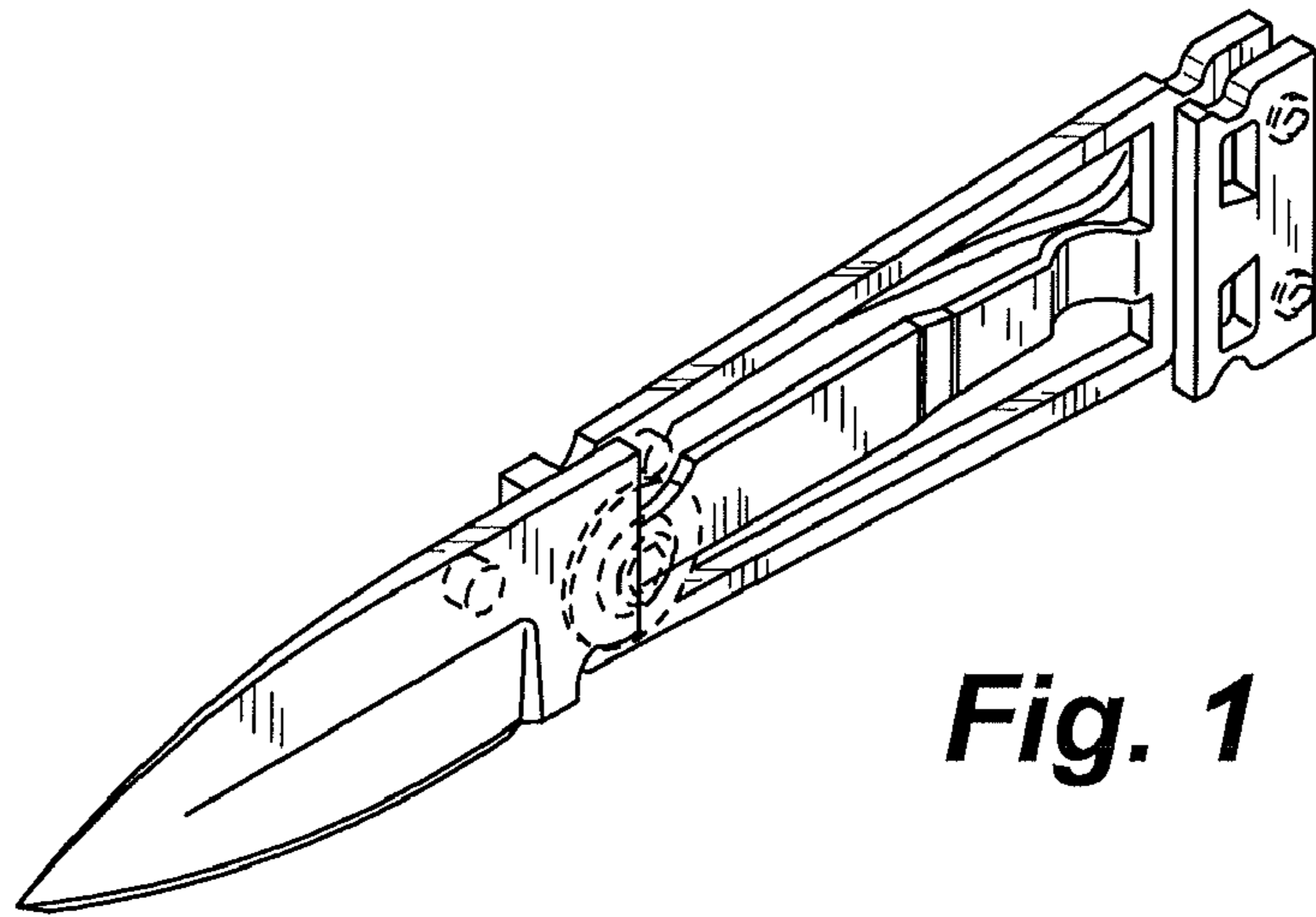
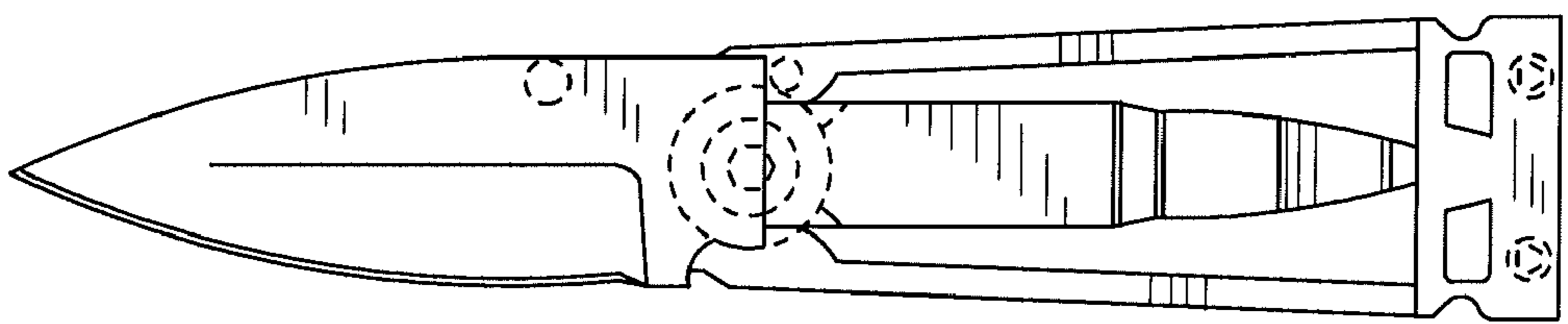


Fig. 4



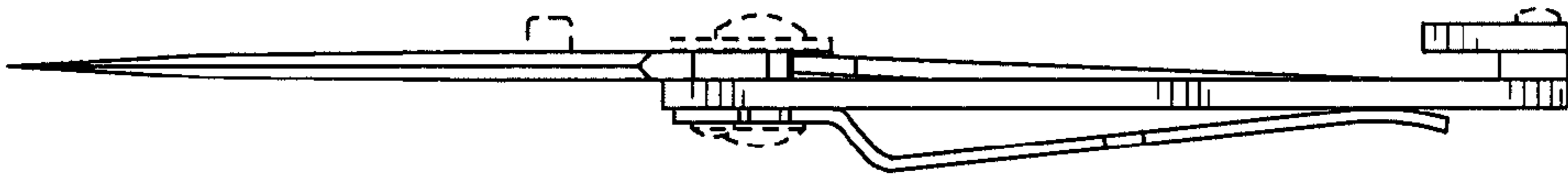


Fig. 5

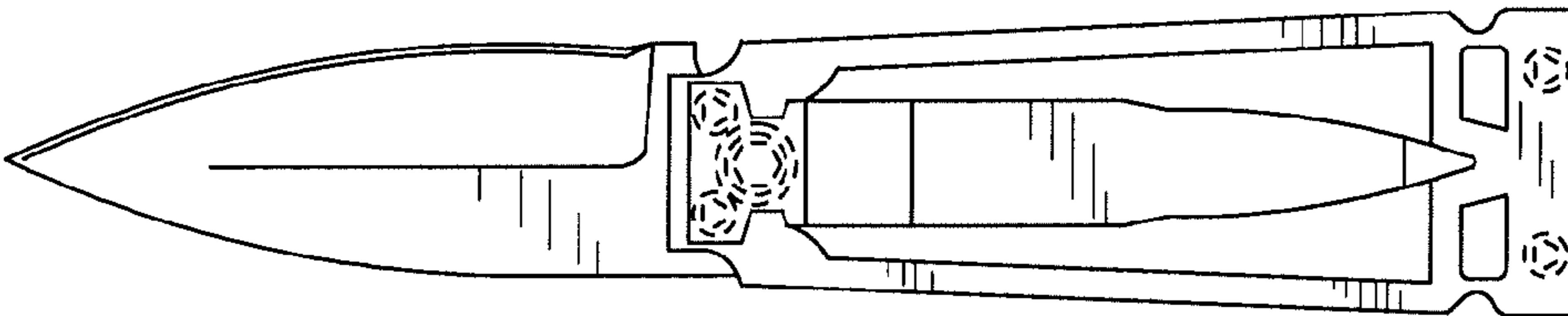


Fig. 6

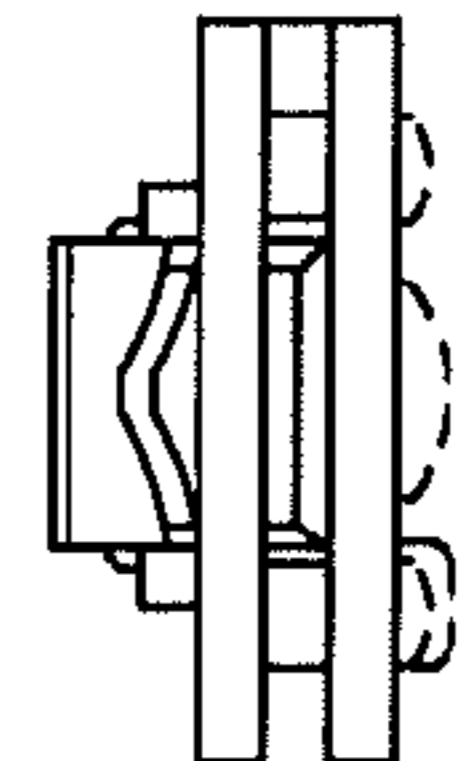


Fig. 7

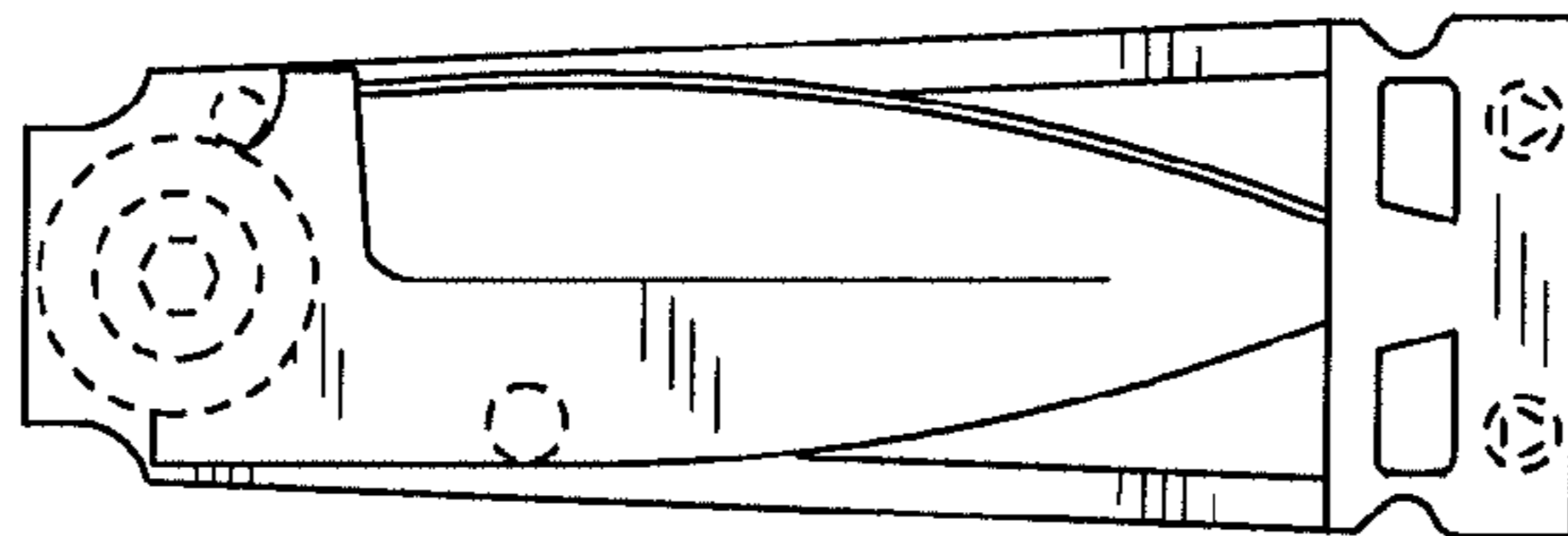


Fig. 8