



US00D605018S

(12) **United States Design Patent**
Price

(10) **Patent No.:** **US D605,018 S**

(45) **Date of Patent:** **** Dec. 1, 2009**

(54) **TOOL CRADLE**

(75) Inventor: **Graham Price**, Elizabeth, CO (US)

(73) Assignee: **Stolle Machinery Company, LLC**,
Centennial, CO (US)

(**) Term: **14 Years**

(21) Appl. No.: **29/326,704**

(22) Filed: **Oct. 23, 2008**

(51) **LOC (9) Cl.** **08-05**

(52) **U.S. Cl.** **D8/71; D15/123**

(58) **Field of Classification Search** D8/71;
D15/122-123; 72/349, 350, 45, 347, 361,
72/424, 449

See application file for complete search history.

(56) **References Cited**

U.S. PATENT DOCUMENTS

3,735,629	A	5/1973	Paramonoff	
4,061,012	A	12/1977	Wessman	
4,852,377	A	8/1989	Mikas et al.	
5,775,160	A	7/1998	Fleischer et al.	
D557,294	S *	12/2007	Okuya	D15/123
7,387,006	B1 *	6/2008	Xu et al.	72/350

* cited by examiner

Primary Examiner—Antoine D Davis

(74) *Attorney, Agent, or Firm*—Eckert Seamans Cherin &
Mellott, LLC; Grant E. Coffield, Esq.

(57) **CLAIM**

The ornamental design for a tool cradle, as shown and described.

DESCRIPTION

FIG. 1 is a top isometric view of the front right side of a tool cradle in accordance with an embodiment of the invention;

FIG. 2 is a right side elevation view of the tool cradle of FIG. 1;

FIG. 3 is a left side elevation view of the tool cradle of FIG. 1;

FIG. 4 is a top plan view of the tool cradle of FIG. 1;

FIG. 5 is a bottom plan view of the tool cradle of FIG. 1;

FIG. 6 is a front end elevation view of the tool cradle of FIG. 1;

FIG. 7 is a back end elevation view of the tool cradle of FIG. 1;

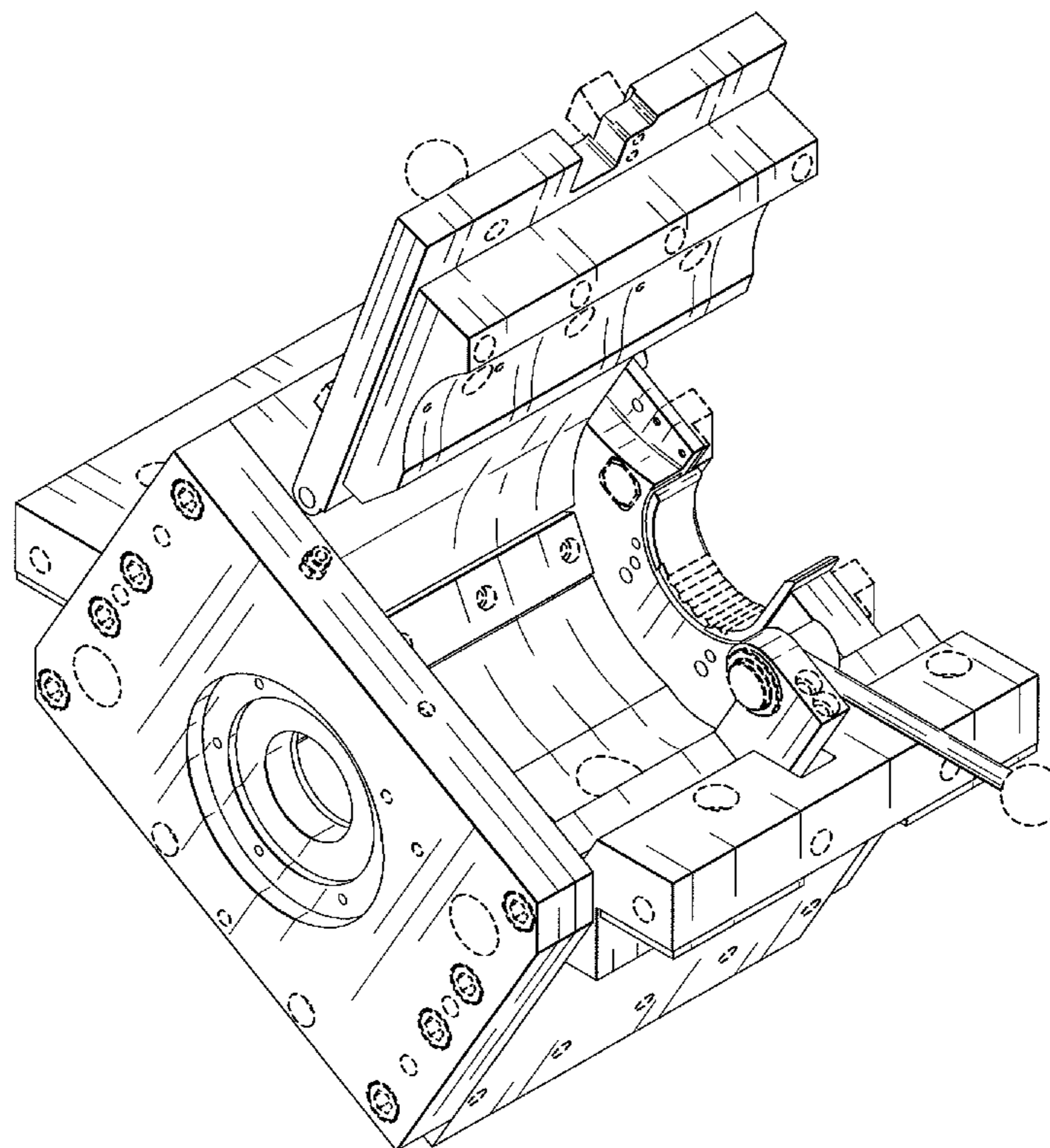
FIG. 8 is a top isometric view of the back right side of the tool cradle of FIG. 1;

FIG. 9 is a bottom isometric view of the front right side of the tool cradle of FIG. 1; and,

FIG. 10 is a top isometric view of the front left side of the tool cradle of FIG. 1.

The components shown in broken lines in the drawings are for illustrative purposes only and do not form a part of the claimed design.

1 Claim, 10 Drawing Sheets



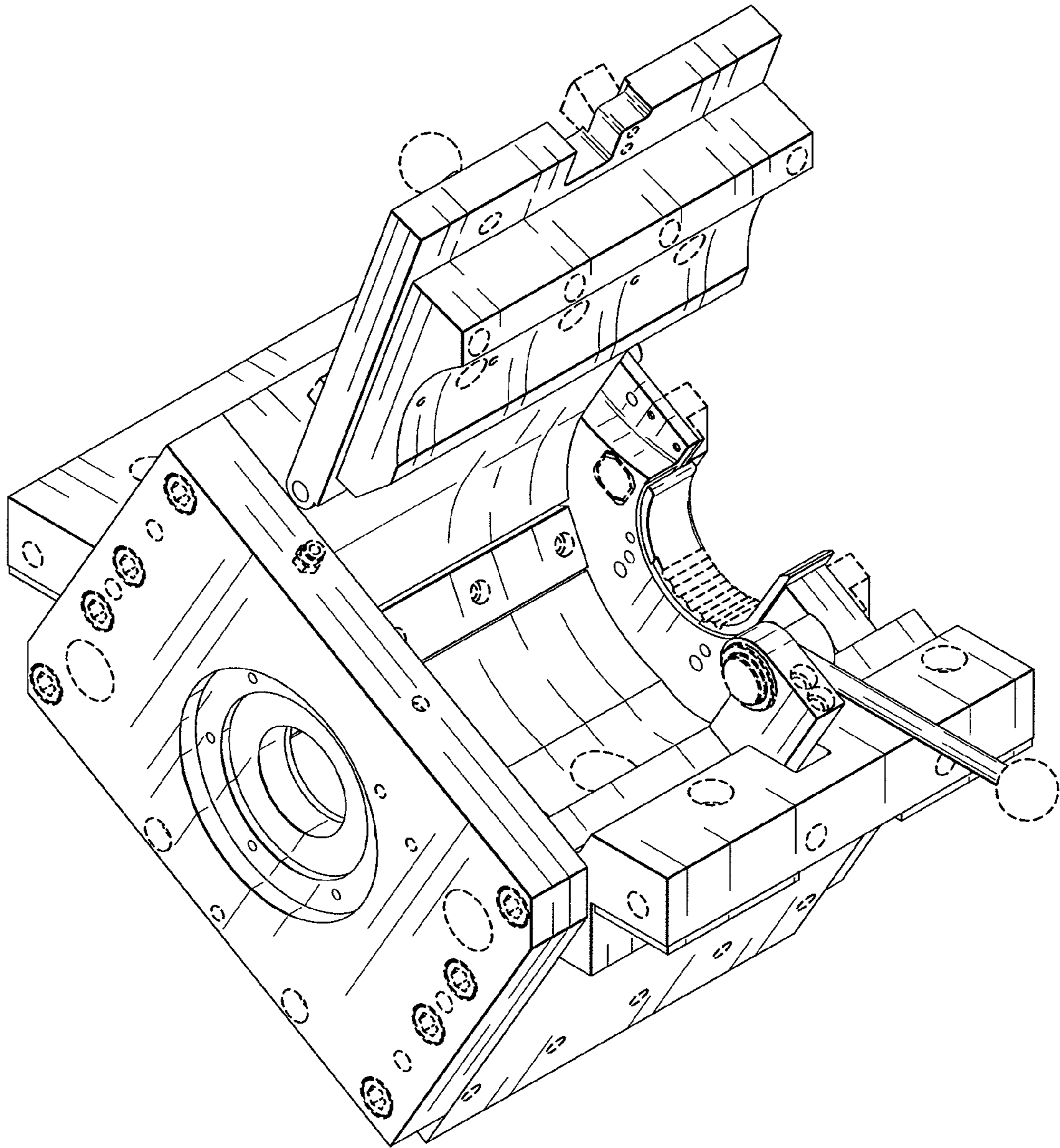


FIG.1

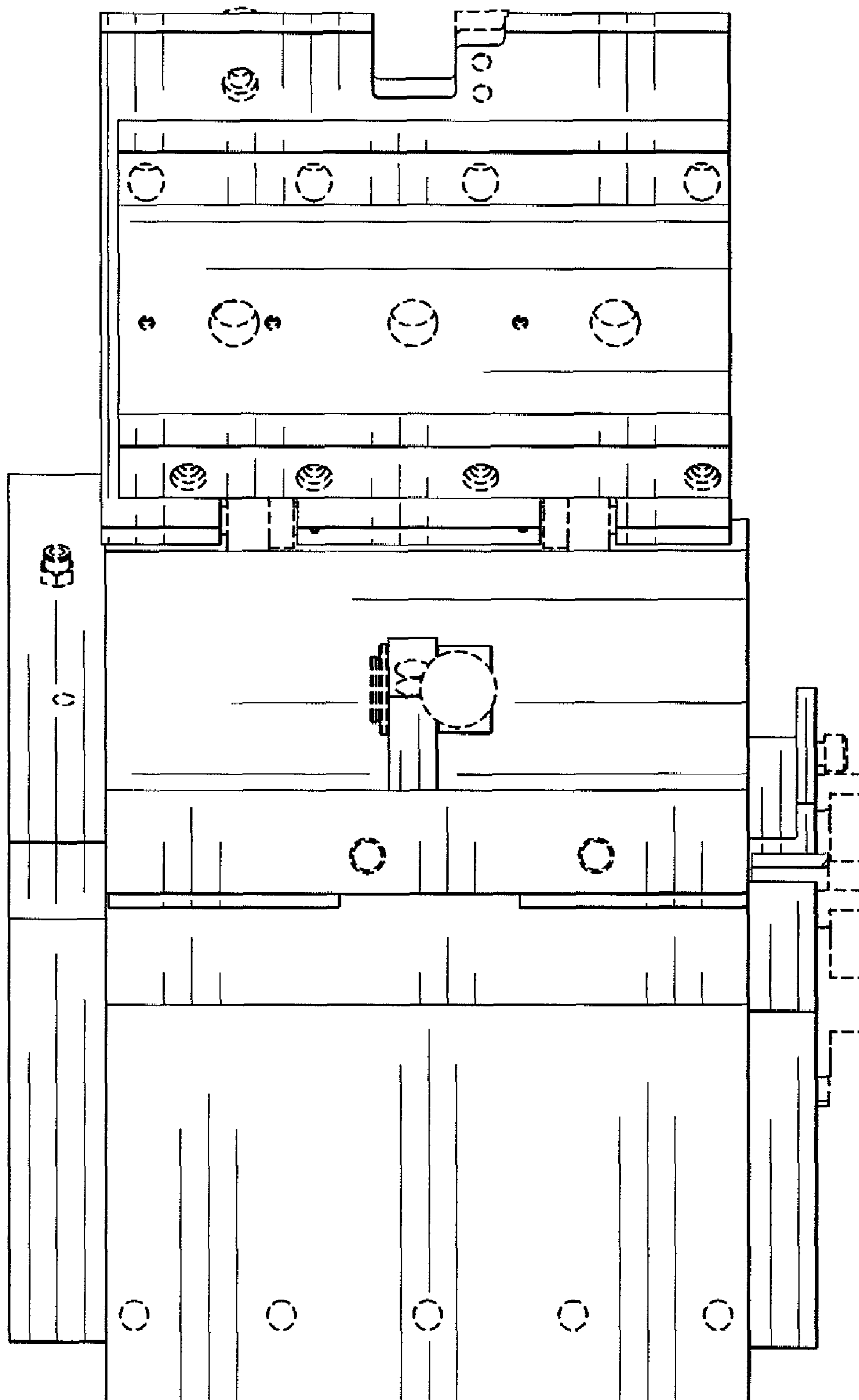


FIG. 2

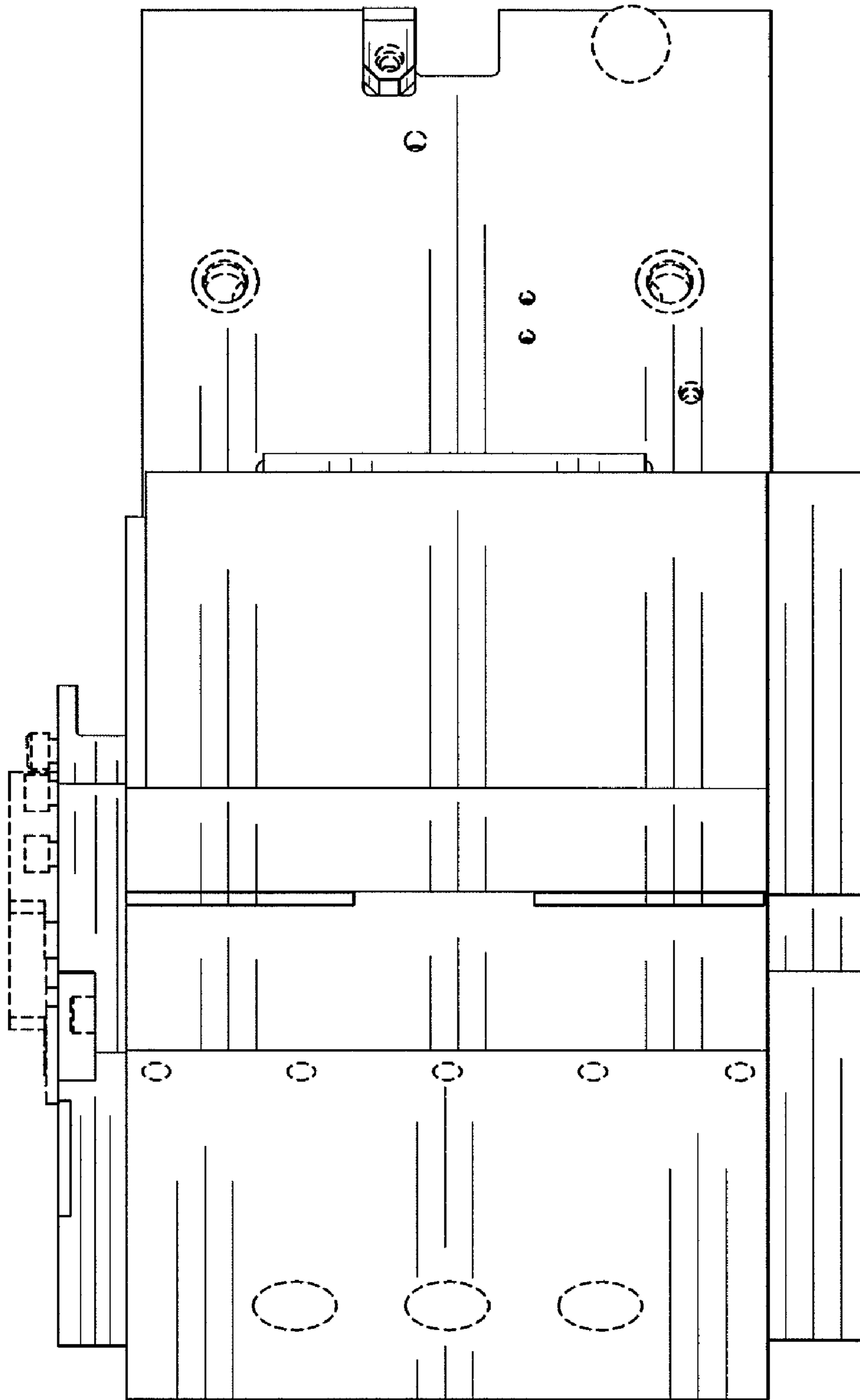


FIG. 3

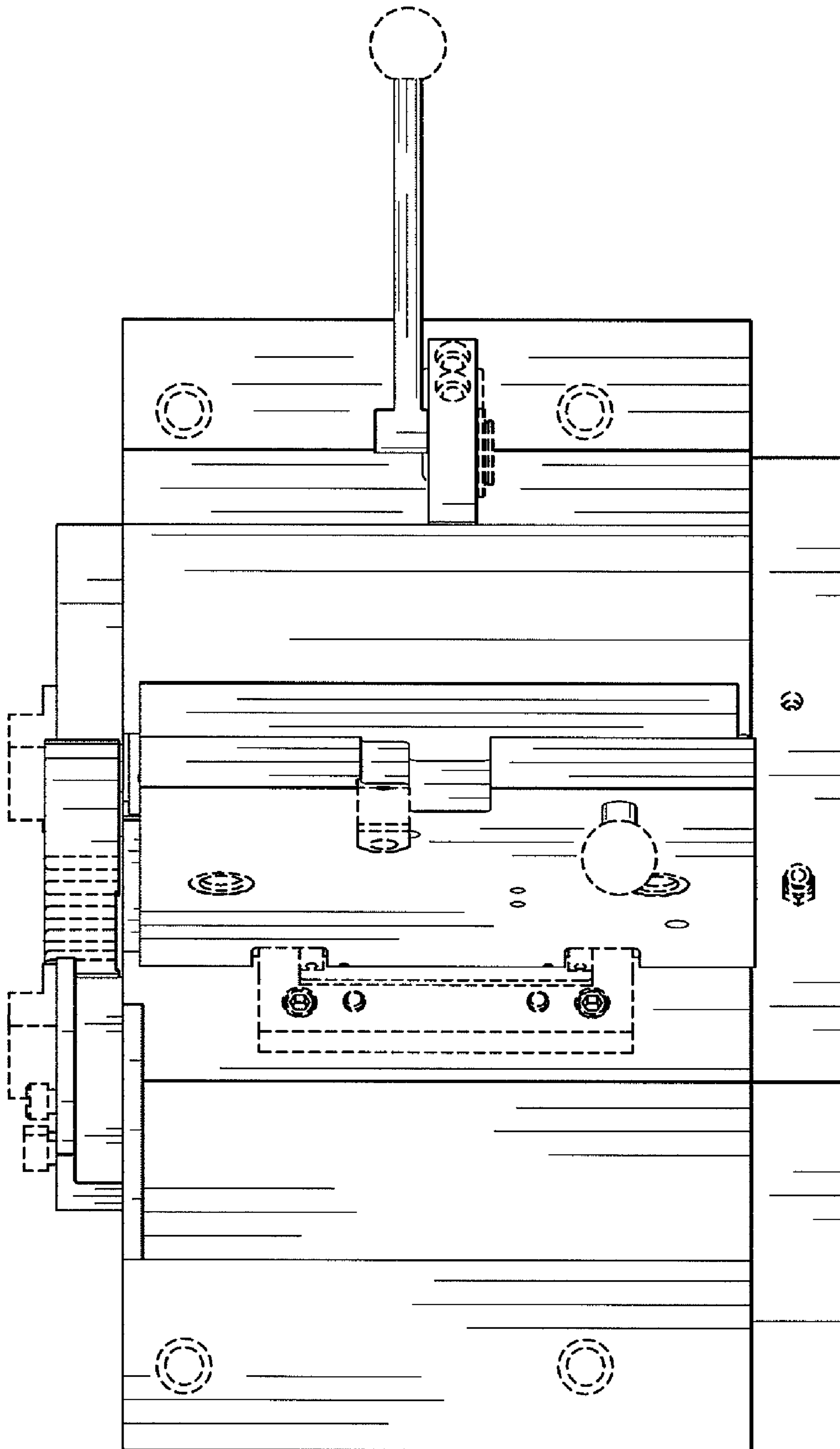


FIG. 4

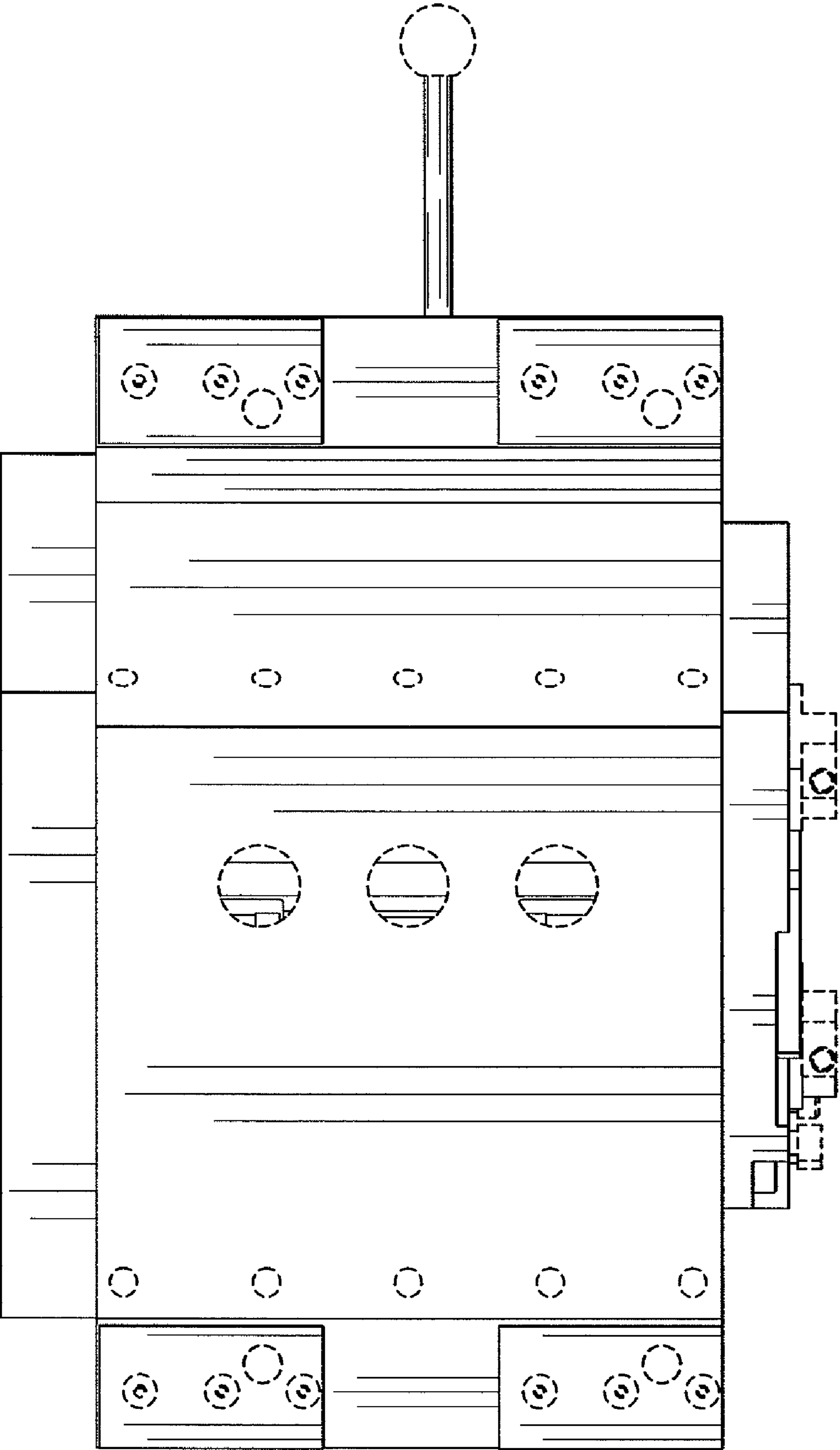


FIG. 5

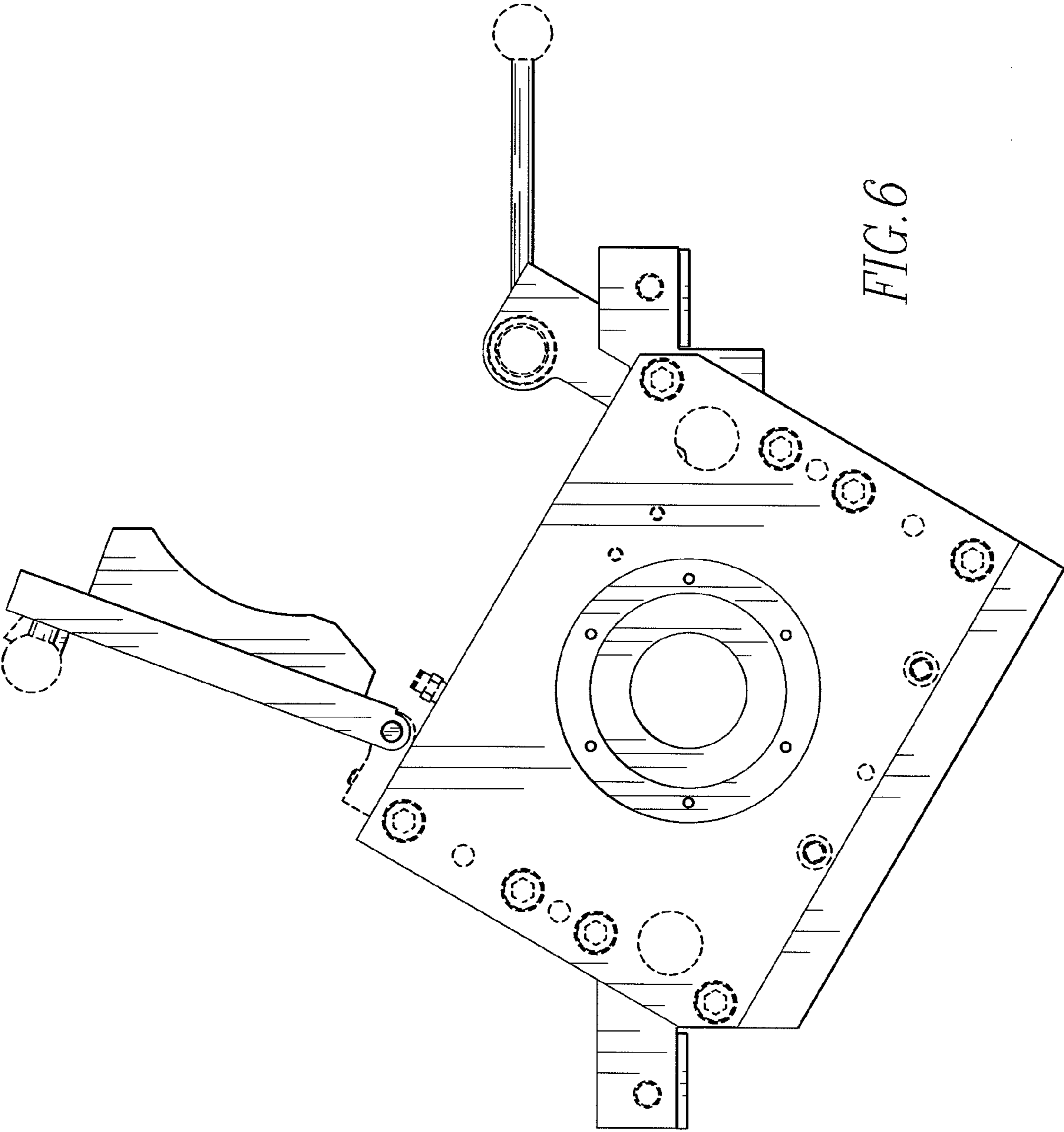
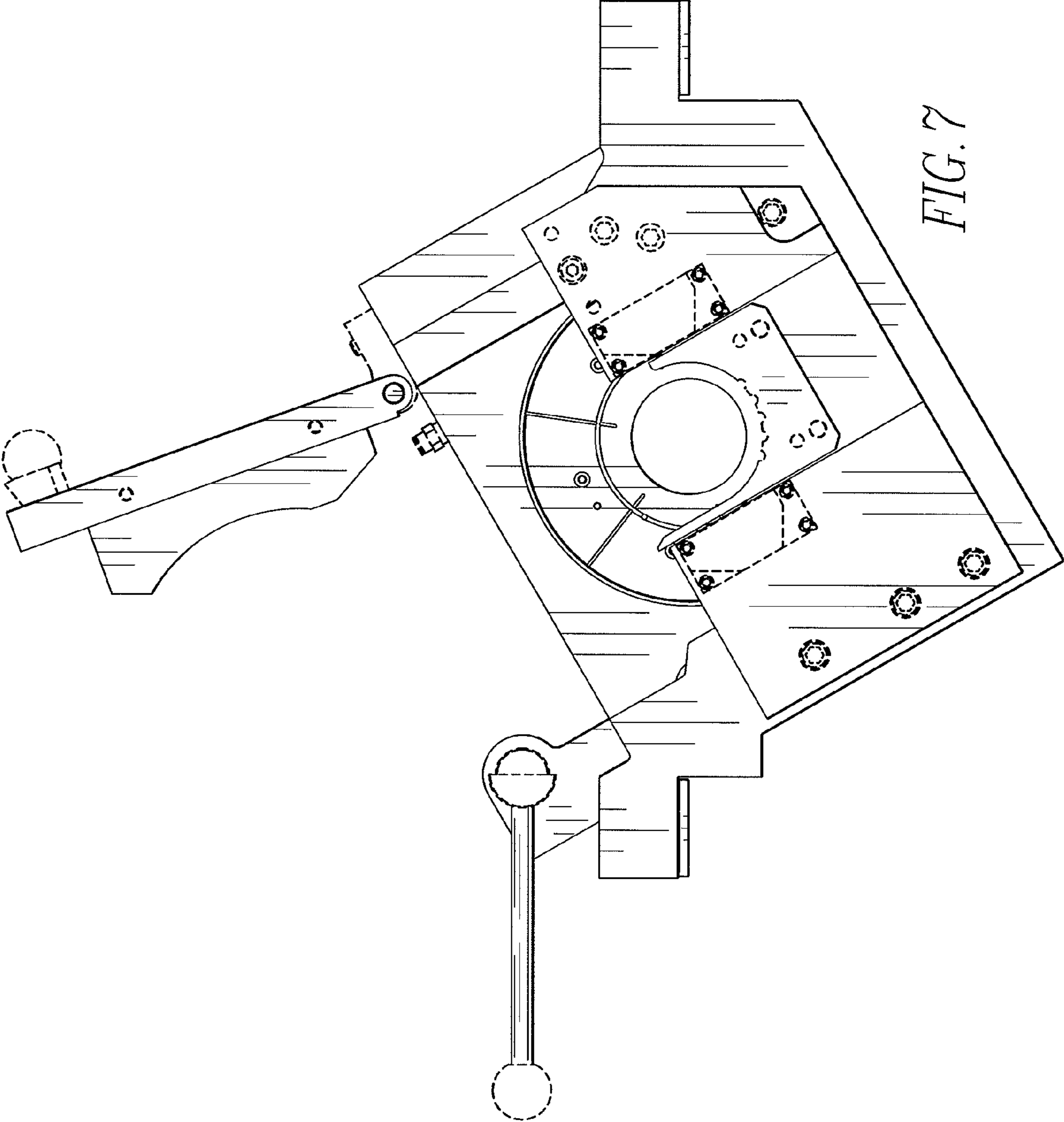


FIG. 6



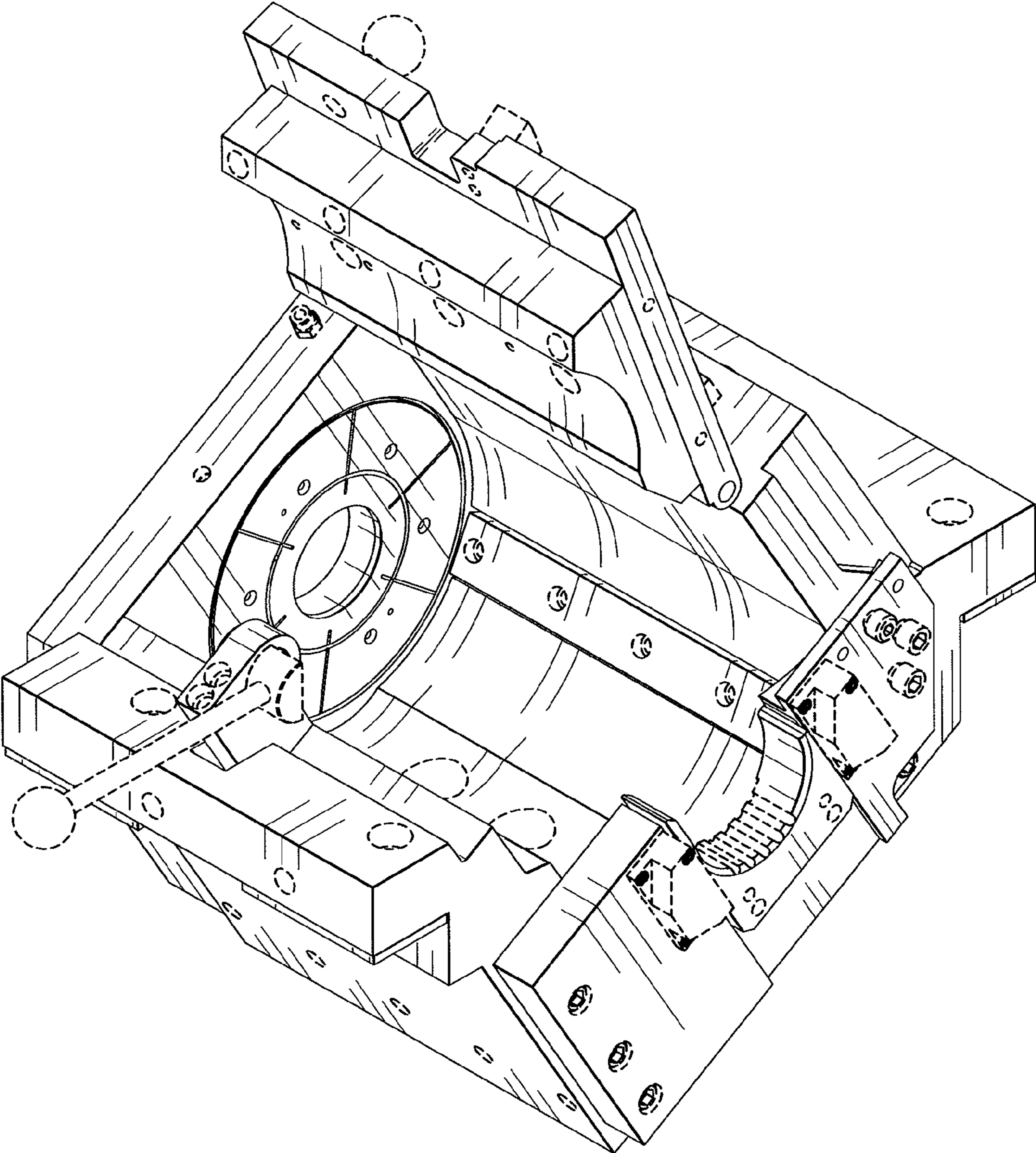


FIG. 8

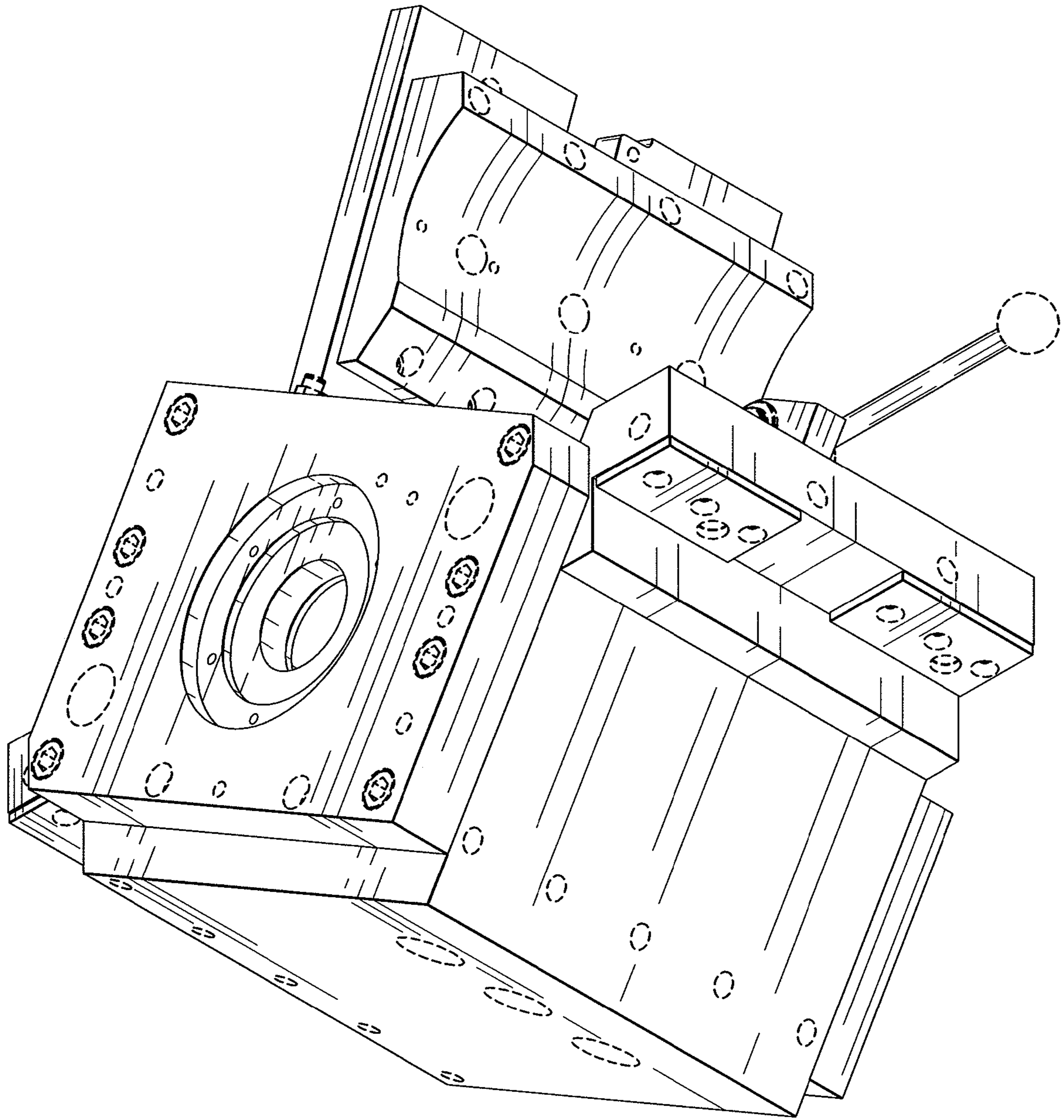


FIG. 9

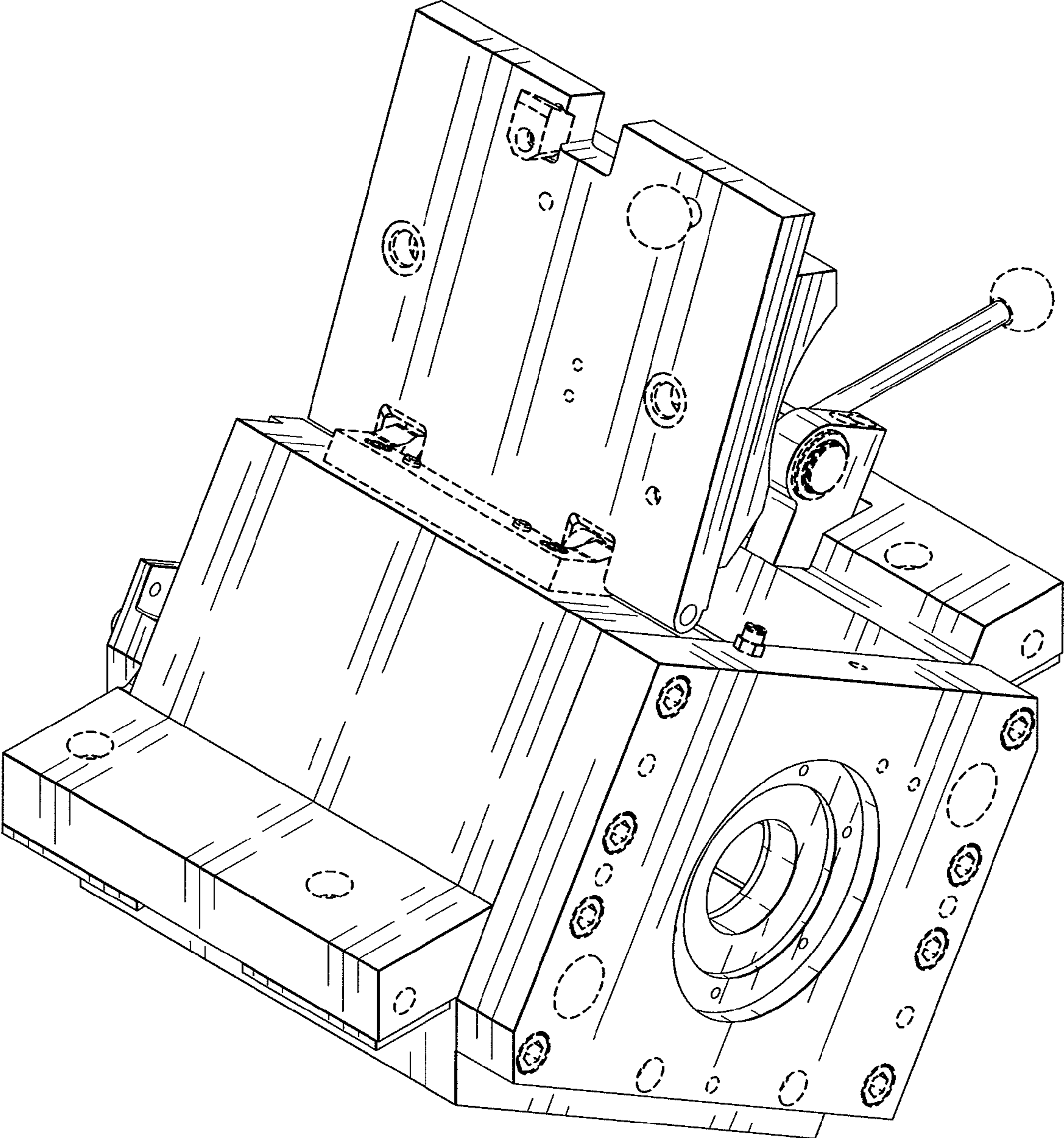


FIG. 10